

# D-Sub Connector

**multicomp** PRO

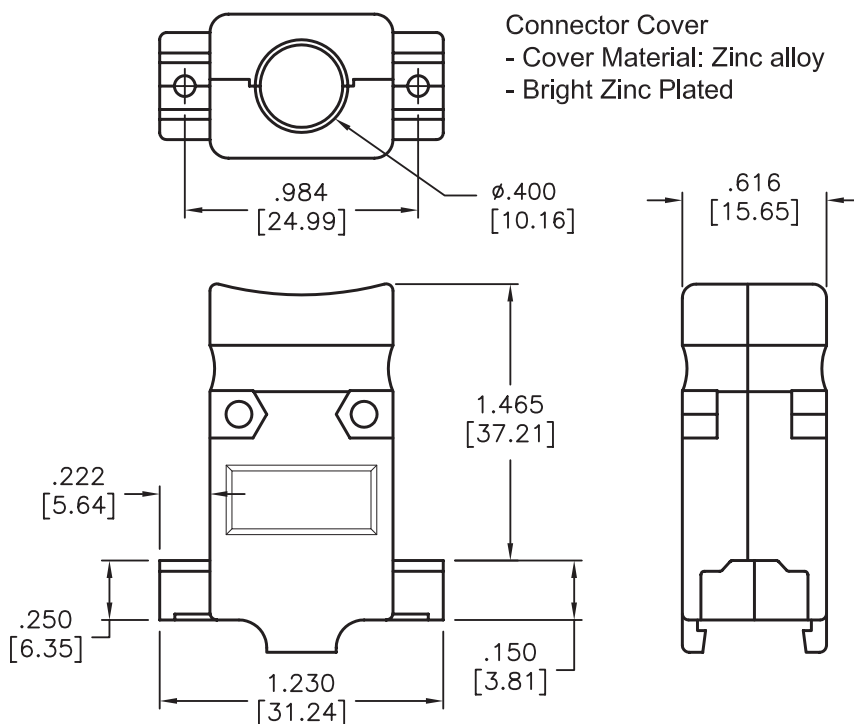
**RoHS  
Compliant**



## Specifications:

D Sub Shell Size	: DE
Connector Body Material	: Zinc Alloy
Cable Exit Angle	: 180°
Accessory Type	: Metal Cover
Connector Shell Size	: DE
Connector Type	: Metal Connector Backshell

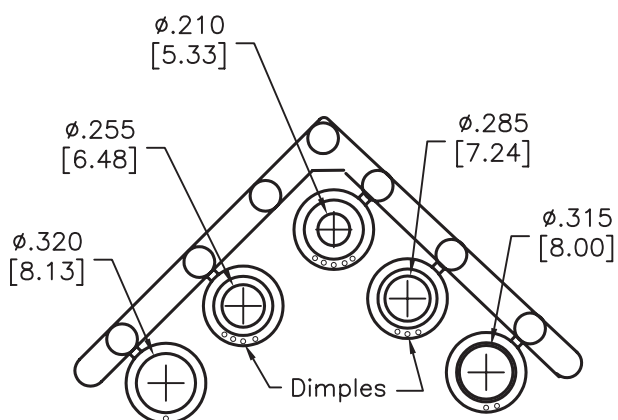
## Diagram



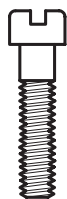
Dimensions : Inches (Millimetres)

**multicomp** PRO

# D-Sub Connector



Compression Inserts  
 Material: Thermoplastic  
 Colour: Black  
 Durometer: 75 ± 5 Type A Per ASTM D2240



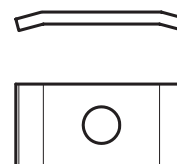
#4-40 × 1/2", Fillister Head Captive  
 Screw, C1018 Steel, Zinc Plated  
 (Hexavalent Chromium Free)  
 (2 pcs)



#4-40 × 7/16", Fillister Head Machine  
 Screw, C1018 Steel, Zinc Plated  
 (Hexavalent Chromium Free)  
 (2 pcs)



#4-40, #2 Blank Hex Nut,  
 C1010 Steel, Zinc Plated  
 (Hexavalent Chromium Free)  
 (2 pcs)



#4 Saddle Washer, C.R.Steel,  
 Zinc Plated  
 (Hexavalent Chromium Free)  
 (2 pcs)

Dimensions : Inches (Millimetres)

## Part Number Table

Description	Part Number
9 Pin, Straight, Metal Cover	SPC15003

**Important Notice :** This data sheet and its contents (the "Information") belong to the members of the AVNET group of companies (the "Group") or are licensed to it. No licence is granted for the use of it other than for information purposes in connection with the products to which it relates. No licence of any intellectual property rights is granted. The Information is subject to change without notice and replaces all data sheets previously supplied. The Information supplied is believed to be accurate but the Group assumes no responsibility for its accuracy or completeness, any error in or omission from it or for any use made of it. Users of this data sheet should check for themselves the Information and the suitability of the products for their purpose and not make any assumptions based on information included or omitted. Liability for loss or damage resulting from any reliance on the Information or use of it (including liability resulting from negligence or where the Group was aware of the possibility of such loss or damage arising) is excluded. This will not operate to limit or restrict the Group's liability for death or personal injury resulting from its negligence. Multicomp Pro is the registered trademark of Premier Farnell Limited 2019.