

## Recessing system cutter holder, modular radial right

for cutting, grooving and copying using AD, AE cutting inserts

**ATORN**

### Application

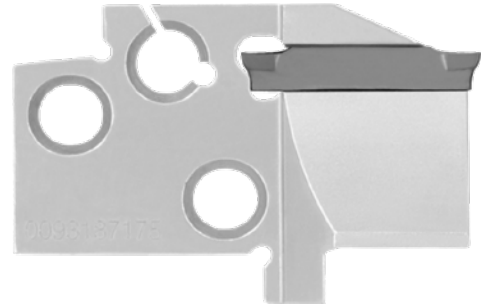
For cutting, grooving and copy turning externally.

### Version

- Precision-manufactured steel support, nickel-plated and hardened with clamping element

### Advantage

- High-quality and wear-resistant steel support with high-strength clamping element
- precisely manufactured insert setting



<b>Art. no.</b>	<b>17673 738</b>
<b>Suitable for knife width</b>	3 mm
<b>Shank width</b>	25 mm
<b>Shaft height</b>	25 mm
<b>Tool design</b>	Left

### EAN-Code

4050293732153

