

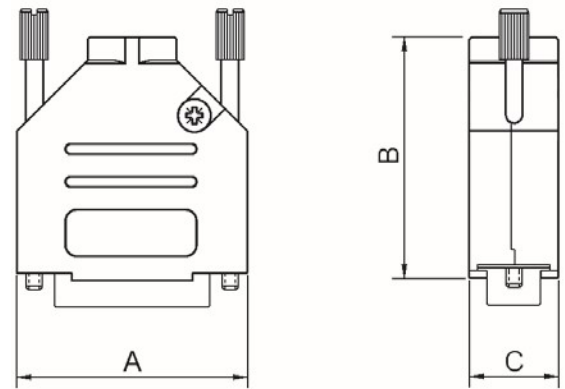
D-Sub Full Metal, Top cable entry, With C-Clip

TECHNICAL SPECIFICATIONS

Material: Zinc, Black Plated  
 Operating Temperature: -40°C to +120°C  
 Cable Entry: Top Entry  
 Thumbscrews: UNC 4-40 (Standard)  
 M2,5 or M3 on request  
 Cable O.D: Up to 11,5mm

Features:

- Available in sizes 9-15-25-37
- Excellent EMI Shielding
- Re-openable
- Full Metal Jackscrews
- Strain relief inserts ensure a secure termination
- Metal C-Clip clamp - suitable for foil cable with earth wire / ground wire.



Grommet Sizes:

Size DTCK	Dim A	Dim B	Dim C
9-way	31,0	39,5	15,0
15-way	39,5	41,5	15,0
25-way	53,5	48,5	15,0
37-way	71,0	53,0	15,0

Ordering information:

Size:	P/N - Kitted:	Product Code:
9-way	6560-0815-01	DTCK09-BK-K
15-way	6560-0815-02	DTCK15-BK-K
25-way	6560-0815-03	DTCK25-BK-K
37-way	6560-0815-04	DTCK37-BK-K

