



Connectors > Circular Connectors > Standard Circular Connectors



Connector System: **Wire-to-Panel**

Number of Positions: **7**

Sealable: **Yes**

Reverse Gender: **Yes**

Shell Plating Material: **Black Chromium**

Features

Product Type Features

Product Type	Connector
Connector System	Wire-to-Panel
Sealable	Yes
Circular Connector Type	Receptacle
Shell Type	Metal

Configuration Features

Keying	Single Key
Number of Positions	7
Contacts Preloaded	Yes

Electrical Characteristics

Operating Voltage	875 VAC
-------------------	---------

Body Features

Environmental Protection Type	Sealed
Environmental Protection	With
Shell Plating Material	Black Chromium
Shell Base Material	Copper Alloy
Circular Connector Insulation Material Type	PEEK

Contact Features

--	--



Reverse Gender	Yes
Contact Layout Arrangement	Circular
Circular Connector Contact Type	Socket

Mechanical Attachment

Mating Retention Type	Threaded Coupling
Mating Alignment	With
Panel Mount Feature Type	Flanged
Mating Alignment Type	Keyed
Mating Retention	With

Housing Features

Circular Connector Shell Size	2
-------------------------------	---

Dimensions

Panel Thickness	3 mm [.118 in]
Assembly Length	23.64 mm

Usage Conditions

Operating Temperature Range	-55 – 125 °C
-----------------------------	--------------

Packaging Features

Packaging Quantity	10
--------------------	----

Product Compliance

[For compliance documentation, visit the product page on TE.com>](#)

EU RoHS Directive 2011/65/EU	Compliant
EU ELV Directive 2000/53/EC	Compliant
China RoHS 2 Directive MIIT Order No 32, 2016	No Restricted Materials Above Threshold
EU REACH Regulation (EC) No. 1907/2006	Current ECHA Candidate List: JAN 2021 (211) Candidate List Declared Against: JAN 2019 (197) SVHC > Threshold: Not Yet Reviewed
Halogen Content	Not Yet Reviewed for halogen content
Solder Process Capability	Hand solderable with tin/lead solder

Product Compliance Disclaimer

This information is provided based on reasonable inquiry of our suppliers and represents our current actual knowledge based on the information they provided. This information is subject to change. The part numbers that TE has identified as EU RoHS compliant have a maximum concentration of 0.1% by weight in homogenous materials for lead, hexavalent chromium, mercury, PBB, PBDE, DBP, BBP, DEHP, DIBP, and 0.01% for cadmium, or qualify for an exemption to these limits as defined in the Annexes of Directive 2011/65/EU (RoHS2). Finished electrical and electronic equipment products will be CE marked as required by Directive 2011/65/EU. Components may not be CE marked. Additionally, the part numbers that TE has identified as EU ELV compliant have a maximum concentration of 0.1% by weight in homogenous materials for lead, hexavalent chromium, and mercury, and 0.01% for cadmium, or qualify for an exemption to these limits as defined in the Annexes of Directive 2000/53/EC (ELV). Regarding the REACH Regulation, the information TE provides on SVHC in articles for this part number is based on the latest European Chemicals Agency (ECHA) 'Guidance on requirements for substances in articles' posted at this URL: <https://echa.europa.eu/guidance-documents/guidance-on-reach>

Compatible Parts

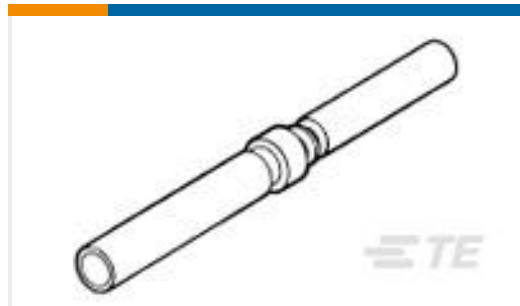


TE Part # 2101550-2
PLUG,7 POS,Sz103,w/SOLDER CUPS,
240 POT

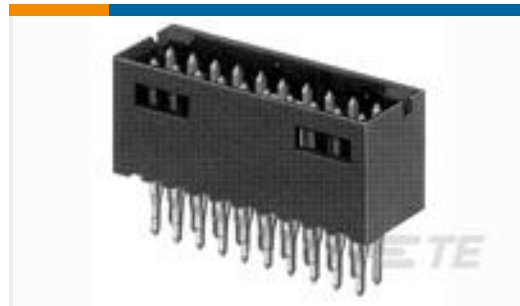
Customers Also Bought



TE Part #2-1437621-4
KA700B1/4=KNOB BLACK 1/4 SHAFT



TE Part #204351-2
SOCKET ASSY, SZ 22



TE Part #102557-1
40 MODII HDR DRST SHRD A/PIN



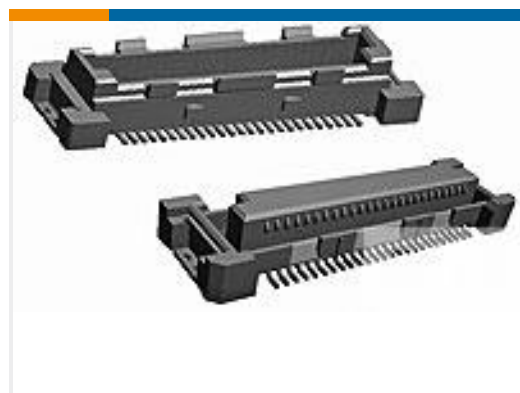
TE Part #2032757-2
SFP+ to SFP+ I/O Cable Assembly: 30
AWG



TE Part #11026886-00
Model 44900 Series



TE Part #9-1617804-8
TD230C-6002SX=TD AO 6 TO 60 SEC



TE Part #1-5353184-0
.6FHP04H,140,S,GIG,08/Sn,TR,NSYes



TE Part #1-796689-8
TERMI-BLOK PCB MOUNT 35 18P.



TE Part #2101550-1
PLUG,7 POS,Sz103,w/SOLDER CUPS,
140 POT



TE Part #2101550-2
PLUG,7 POS,Sz103,w/SOLDER CUPS,
240 POT

Documents

Product Drawings

[PLUG,7 POS,CIRCULAR HD,PCB-POL2](#)

English

CAD Files

[3D PDF](#)

3D

Customer View Model

[ENG_CVM_CVM_2101553-1_C_c-2101553-1-c.2d_dxf.zip](#)

English

Customer View Model

[ENG_CVM_CVM_2101553-1_C_c-2101553-1-c.3d_igs.zip](#)

English

Customer View Model

[ENG_CVM_CVM_2101553-1_C_c-2101553-1-c.3d_stp.zip](#)

English

By downloading the CAD file I accept and agree to the [Terms and Conditions](#) of use.

Datasheets & Catalog Pages

[Products for Aerospace and Defense](#)

English

Product Specifications

[Product Specification](#)

English