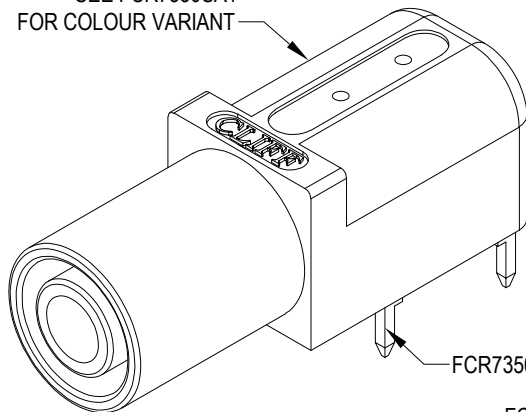


SEE FCR7350SA1
FOR COLOUR VARIANT

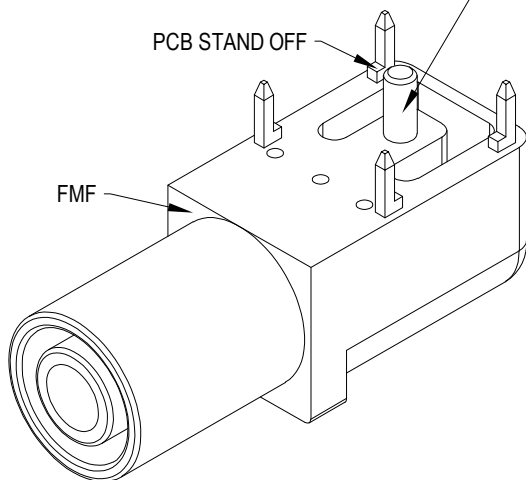


FCR7350SA2

FCR7350SA3

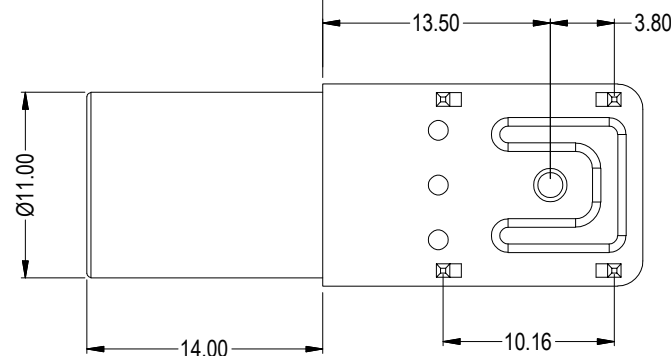
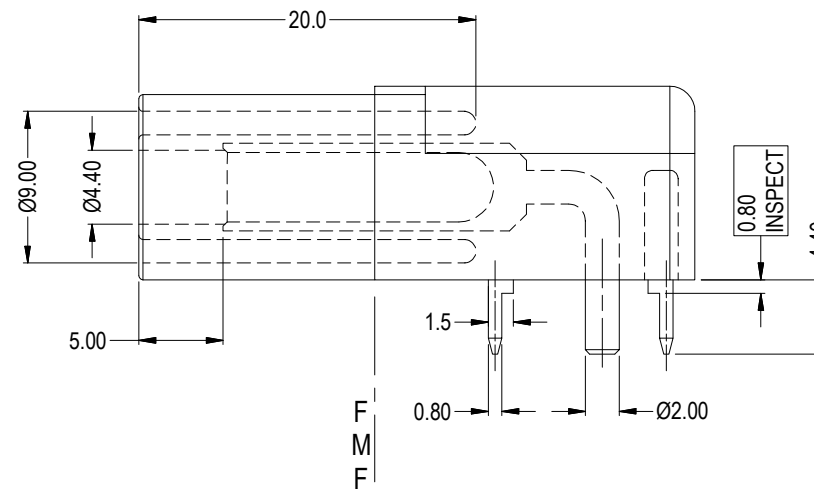
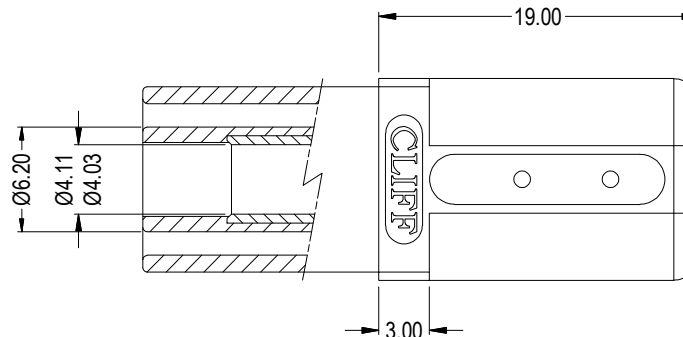
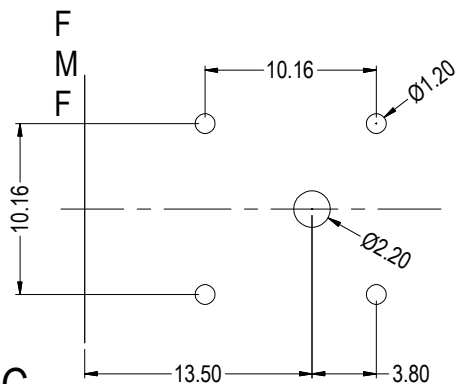
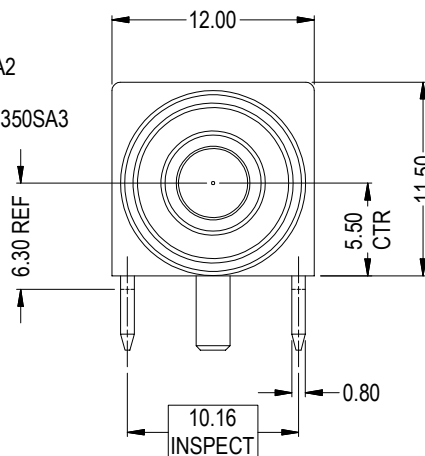
PCB STAND OFF

FMF



PCB LAYOUT
COMPONENT SIDE

VARIANTS	
PART NO.	COLOUR
FCR7350B	BLACK
FCR7350R	RED
FCR7350G	GREEN
FCR7350L	BLUE
FCR7350N	BROWN
FCR7350Y	YELLOW



ISS.	AMEND	DATE
1	1st DRAWN	29/08/06
2	BORDER+RATINGS	03/09/10
3	STAND OFF DIMS ADD	13/12/11
4	SUPPORT PIN ADD	30/04/13
5	PIN TOL, LEGS 4.4mm	28/02/14
6	Ø6.20 WAS Ø6.40	13/06/18
7	ADD BROWN VARIANT	20/01/22

RATED
1kV CAT III - 24A
Operating temp -40°C to +80°C

RoHS
COMPLIANT

TOLERANCE
NO DEC. PLACE ± 0.50
1 DEC. PLACE ± 0.20
2 DEC. PLACE ± 0.10
HOLE Ø ± 0.10
ANGLES ± 1/2°
UNLESS OTHERWISE STATED

Cliff Electronic Components Ltd.

76 Holmetherpe Avenue, Holmetherpe Industrial Estate,
Redhill, Surrey, RH1 2PF, England, UK

Tel: 01737-771375 Fax: 01737-766012 Website: www.cliffuk.co.uk

THE CONTENTS OF THIS DOCUMENT MUST NOT BE COPIED OR DISCLOSED TO A 3rd PARTY WITHOUT WRITTEN PERMISSION OF CLIFF UK. © 2006

DIMENSIONS IN MILLIMETERS UNLESS OTHERWISE STATED. WORK TO DIMENSIONS. REMOVE ALL BURRS. IF IN DOUBT ASK.

3rd ANGLE PROJECTION:

DO NOT SCALE

MATERIAL: NYLON 6 (UL-94 V2) / BRASS

FINISH: AS MOULDED / GOLD PLATED

DRAWN: T.J.O.

APPROVED: D.P.J.

TITLE: S16N-PC 4mm PANEL SOCKET

DRWG. No. **FCR7350**

FORM: A4DRWG9