

MASI68 AI4 RTD E 4XM12

AI4 - (E) RTD

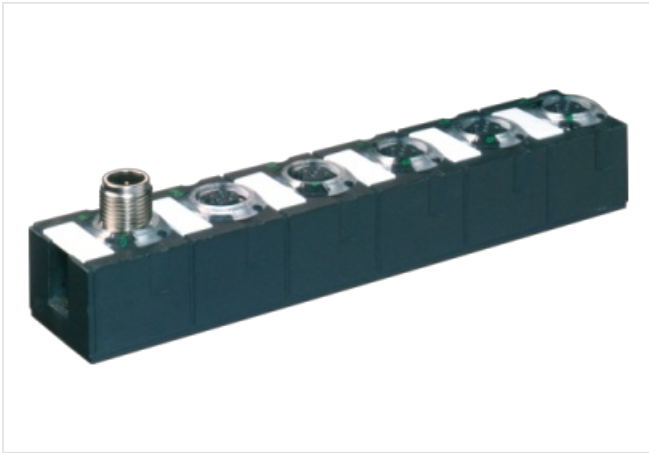
4× M12

Connection cables are in the online shop under "Connection Technology".

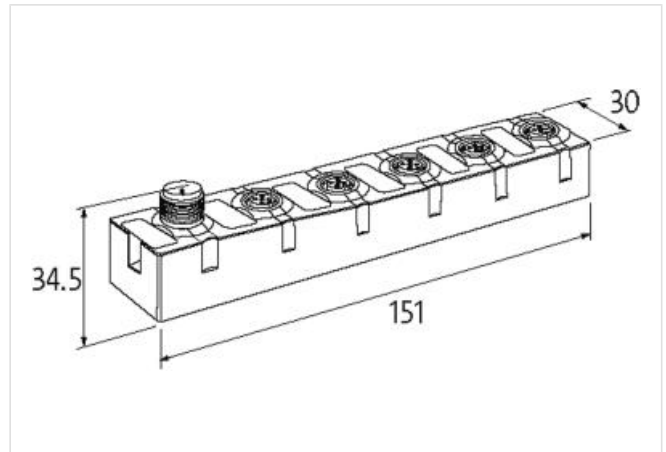
Housing fully potted.

[Link to Product](#)

Illustration



Product may differ from Image



Commercial data

ECLASS-6.0	27242601
ECLASS-6.1	27242601
ECLASS-7.0	27242601
ECLASS-8.0	27242601
ECLASS-9.0	27242601
ECLASS-10.1	27242601
ECLASS-11.1	27242601
ECLASS-12.0	27242601
ETIM-5.0	EC001596
customs tariff number	85176200
GTIN	4048879321280
Packaging unit	1

Electrical data | Supply

Bus voltage AS-Interface DC min.	26,5 V
Bus voltage AS-Interface DC max.	31,6 V
Current consumption AS-i port max.	100 mA

Electrical data | Input

Input current	1,25 mA
Sensor type	Pt100

Industrial communication | Bus data

Address setting type	M12 connection and programming device, Master
----------------------	---

Industrial communication | AS-Interface

The information in this Product-PDF has been compiled with the utmost care.

Liability for the correctness completeness and topicality of the information is restricted to gross negligence. Version: 2024-05-14

Profile (IO.ID.ID2)	S-7.3.E
Diagnostics	
Actuator warning	no
Diagnostic	No voltage
Diagnostic via LED	per module
LED display	Ethernet connection/data traffic
Device protection Electrical	
Degree of protection (EN IEC 60529)	IP68
Mechanical data Mounting data	
Mounting method	screwed
Height	151 mm
Width	30 mm
Depth	34,5 mm
Environmental characteristics Climatic	
Operating temperature min.	0 °C
Operating temperature max.	55 °C
Storage temperature min.	-40 °C
Storage temperature max.	85 °C
Connection type 3	
Connection type 1	0-3
Connection type 2	Bus In
Connection type 3	Bus Out
Family construction form	M12
Gender	female
Color contact carrier	black
Coding	A
No. of poles	5
PIN 1	CH +
PIN 2	CH S +
PIN 3	CH -
PIN 4	CH S -
PIN 5	n.c.
Family construction form	M12
Gender	male
Color contact carrier	black
Coding	A
No. of poles	4
PIN 1	AS-i +
PIN 2	0 V
PIN 3	AS-i -
PIN 4	24 V DC
Family construction form	M12
Gender	female
Color contact carrier	black
Coding	A
No. of poles	5
PIN 1	AS-i +
PIN 2	0 V
PIN 3	AS-i -
PIN 4	24 V DC
PIN 5	n.c.