

SAI-ADAPT-M8/M8 4/3P

Weidmüller Interface GmbH & Co. KG
Klingenbergstraße 16
D-32758 Detmold
Germany
Fon: +49 5231 14-0
Fax: +49 5231 14-292083
www.weidmueller.com



M8/M12 and M12/M8 adapters serve for quick implementation of the plug size.

General ordering data

Type	SAI-ADAPT-M8/M8 4/3P
Order No.	1990570000
Version	Y connector, M8 / M8
GTIN (EAN)	4050118376609
Qty.	1 pc(s).

SAI-ADAPT-M8/M8 4/3P

Weidmüller Interface GmbH & Co. KG
 Klingenbergstraße 16
 D-32758 Detmold
 Germany
 Fon: +49 5231 14-0
 Fax: +49 5231 14-292083
 www.weidmueller.com

Technical data

Dimensions and weights

Net weight	12 g
------------	------

Environmental Product Compliance

REACH SVHC	Lead 7439-92-1
------------	----------------

Connection data

Single outlet 1 - plug-in connector	M8 pin	Single outlet 2 - plug-in connector	M8 socket
Tightening torque	M8: 0.5 Nm		

General data

Coding	M8 = none	Conductor O.D.	-
Connection thread	M8 / M8	No. of poles	4
Pollution severity	3	Protection degree	IP67
Rated current	4 A	Rated voltage	24 V
Shield connection	No	Temperature range of housing	-25...+85 °C

Classifications

ETIM 5.0	EC002635	ETIM 6.0	EC002925
eClass 6.2	27-26-07-02	eClass 7.1	27-44-01-02
eClass 8.1	27-44-01-02	eClass 9.0	27-44-01-06
eClass 9.1	27-44-01-06		

Approvals

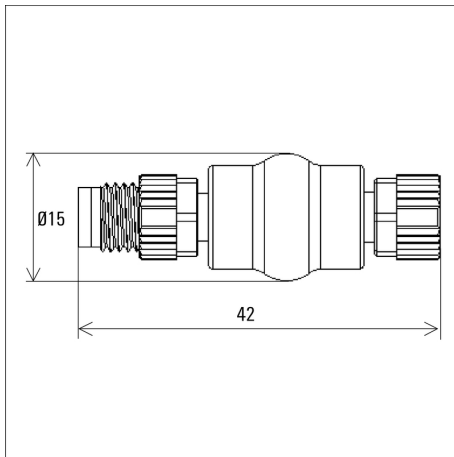
ROHS	Conform
------	---------

Downloads

Brochure/Catalogue	FL FIELDWIRING EN
--------------------	-----------------------------------

SAI-ADAPT-M8/M8 4/3P

Weidmüller Interface GmbH & Co. KG
Klingenbergstraße 16
D-32758 Detmold
Germany
Fon: +49 5231 14-0
Fax: +49 5231 14-292083
www.weidmueller.com

Drawings**Dimensioned drawing****Wiring diagram**