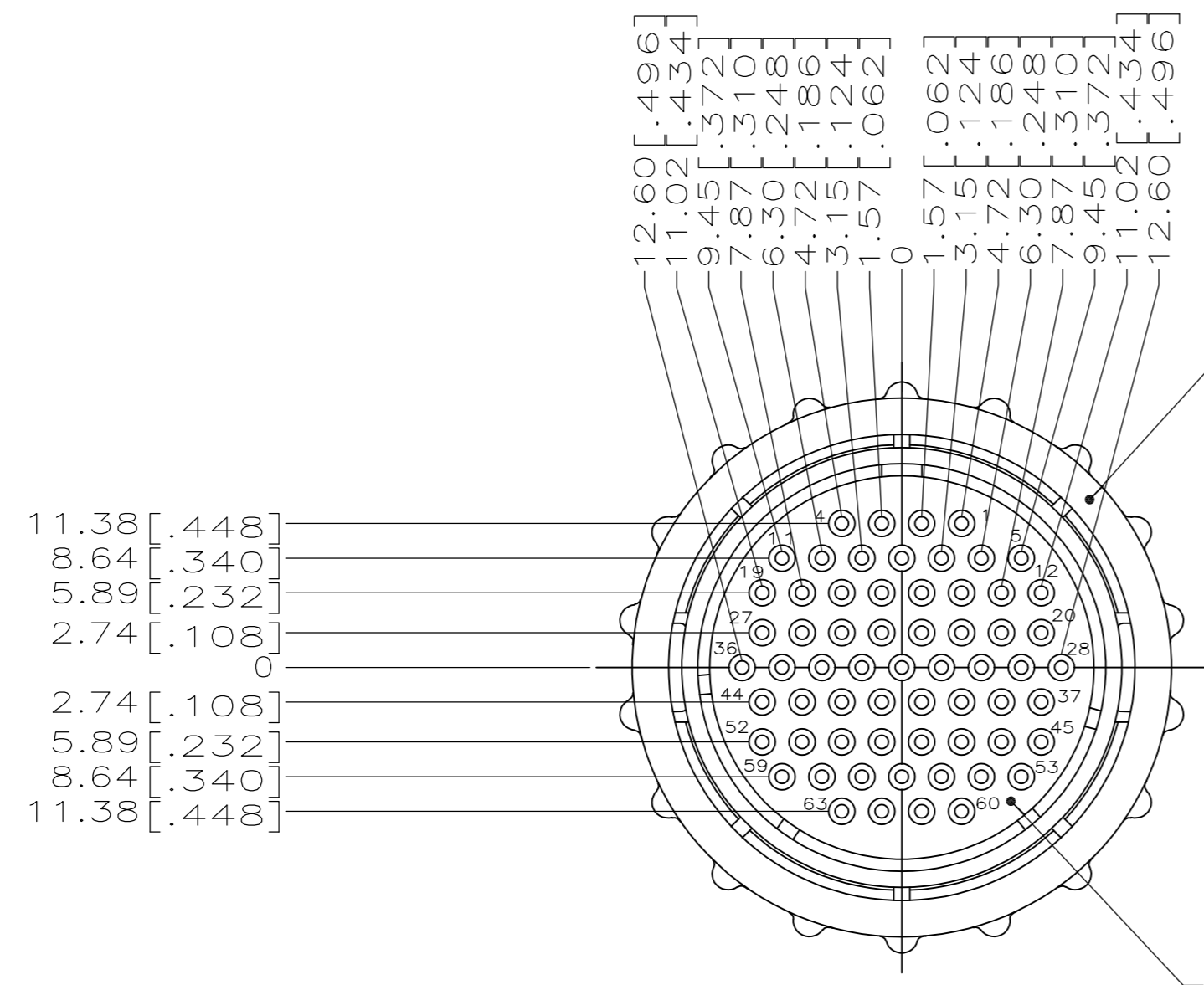


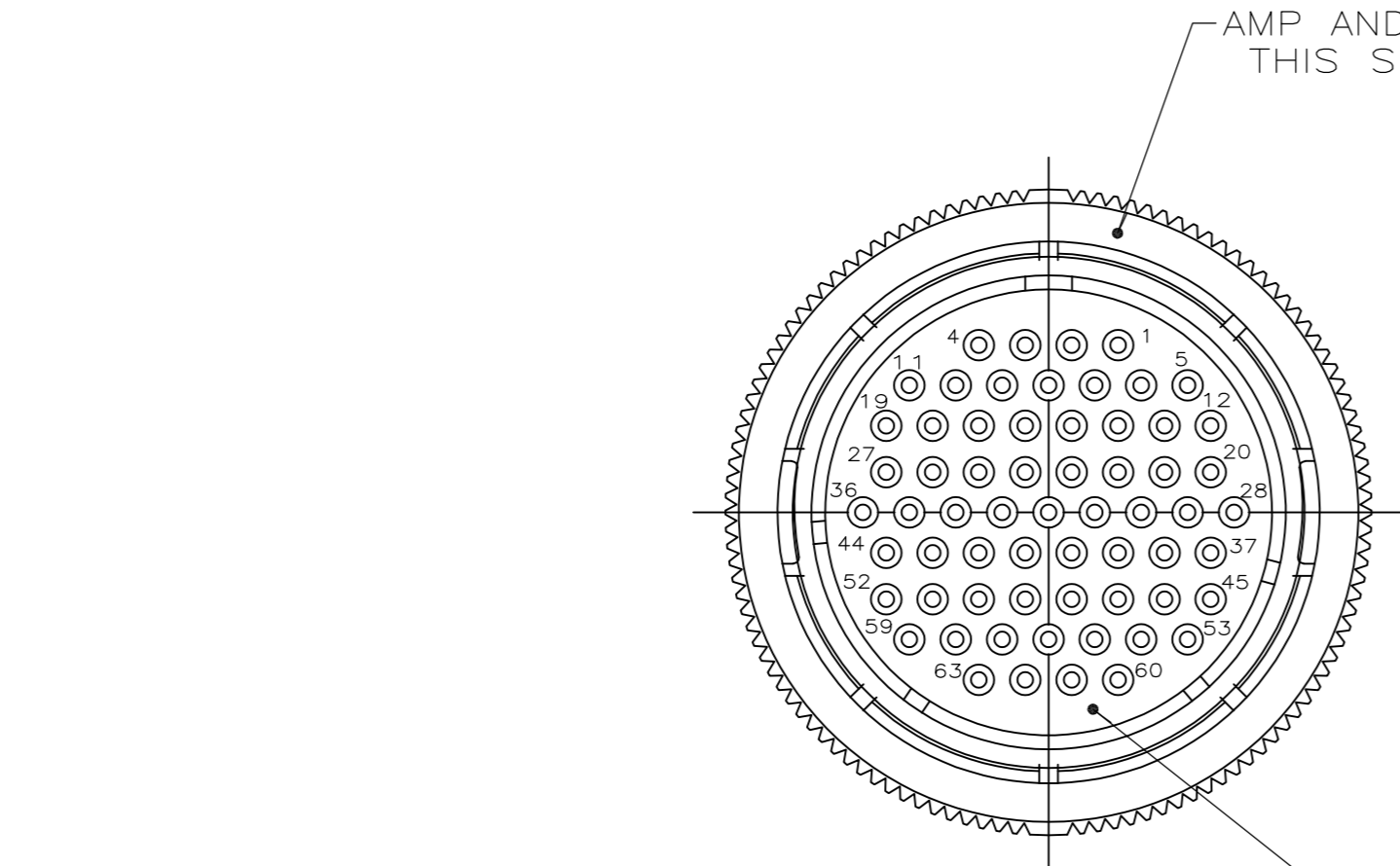
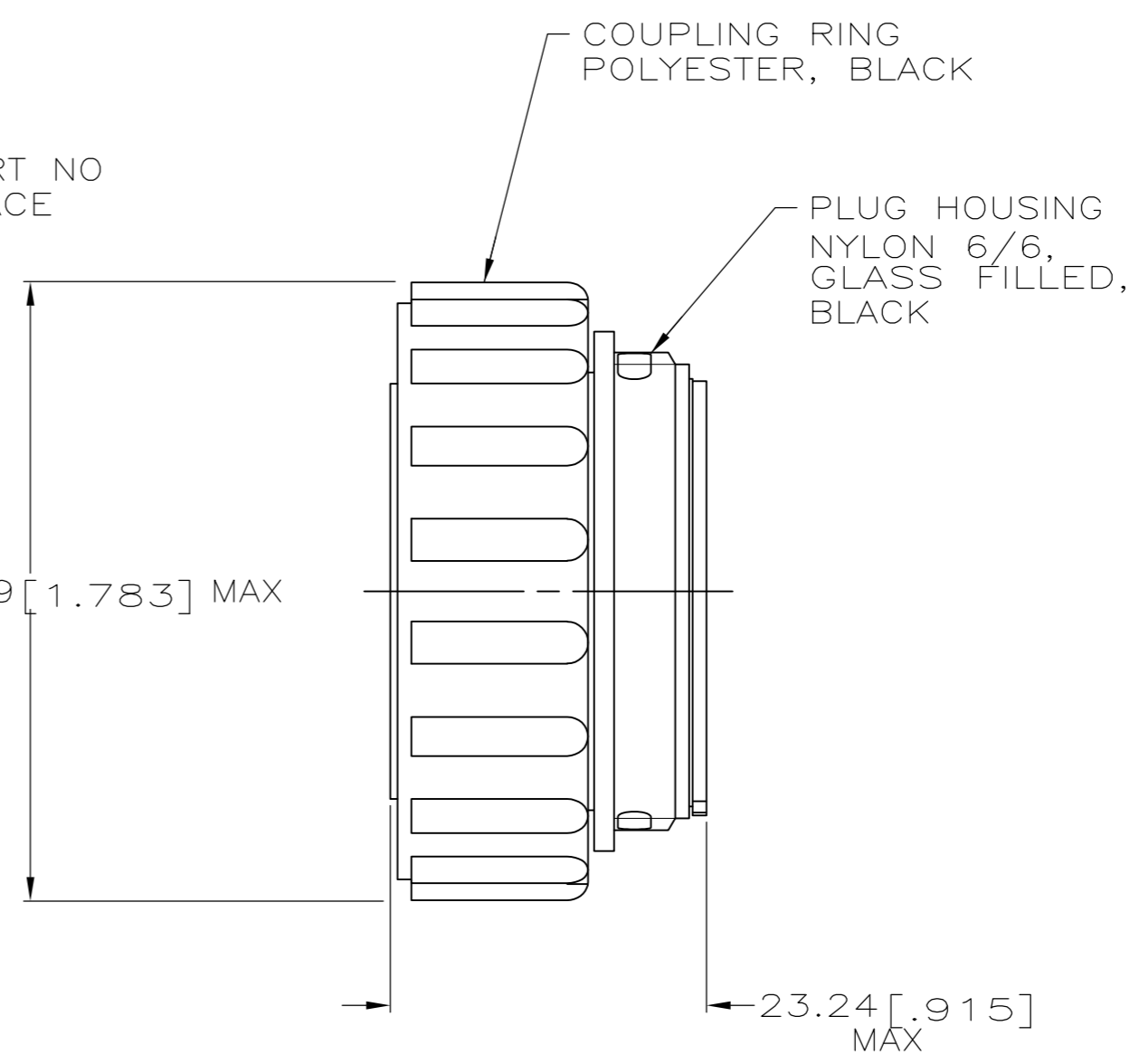
THIS DRAWING IS UNPUBLISHED. RELEASED FOR PUBLICATION
 © COPYRIGHT - By - ALL RIGHTS RESERVED.

LOC		DIST		REVISIONS			
P	LTR	DESCRIPTION	DATE	DWN	APVD		
FT	4	J1	REVISED PER ECO-11-004917	11MAR11	RK	HMR	



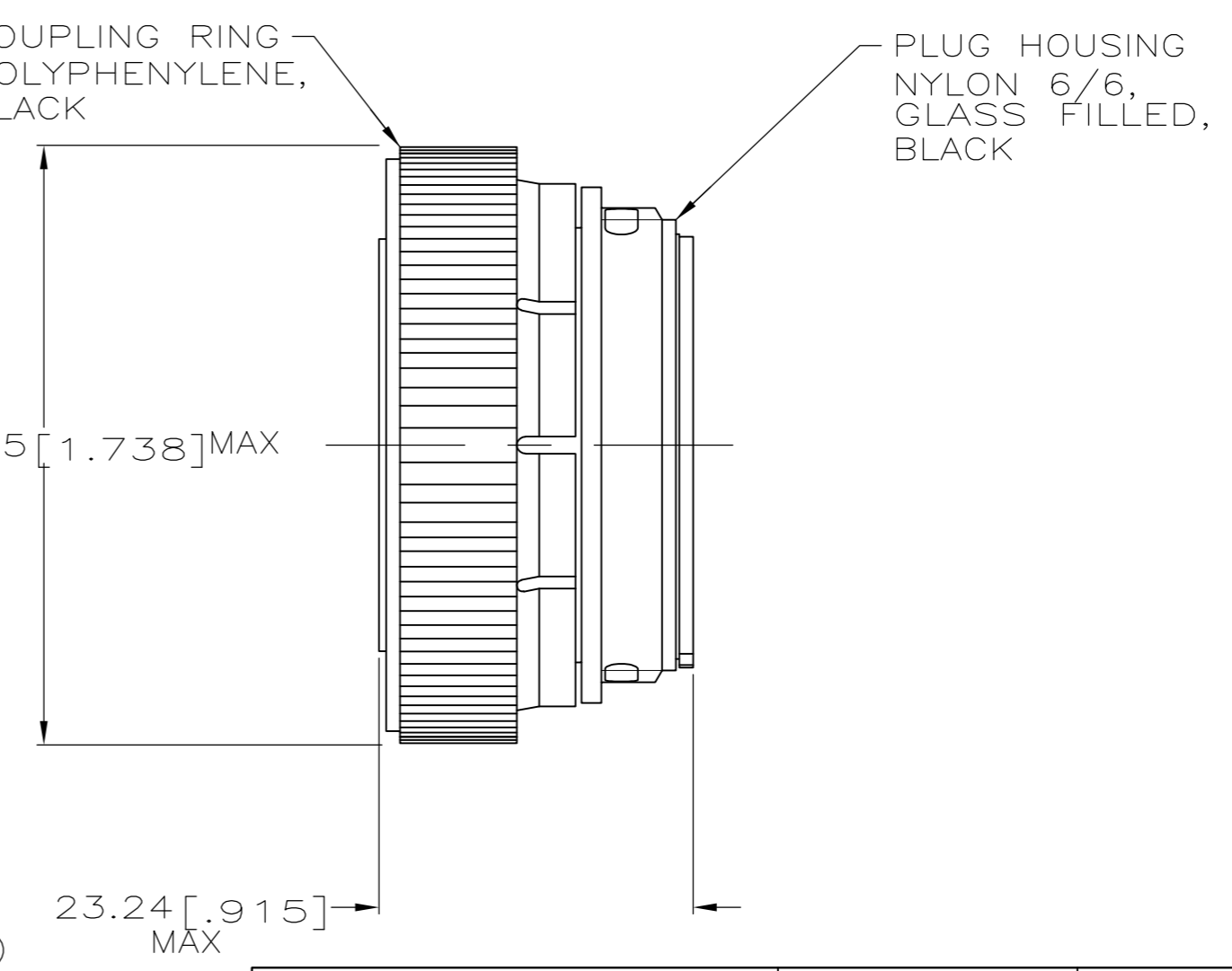
AMP AND PART NO THIS SURFACE

MATING FACE (-1 ONLY)



AMP AND PART NO THIS SURFACE

MATING FACE (-2 ONLY)



- CONTACT CAVITIES IDENTIFIED BY CHARACTERS ON FRONT AND REAR FACES OF CONNECTOR.
- WILL ACCEPT (63) SIZE 20 SOCKET CONTACTS.

205842-2
 205842-1
 PART NUMBER

THIS DRAWING IS A CONTROLLED DOCUMENT.		DWN	A. STAUB BG	4 APR 91		TE Connectivity											
DIMENSIONS: mm [INCHES]		CHK	W. LENKER	23 JUL 92		NAME											
TOLERANCES UNLESS OTHERWISE SPECIFIED:		APVD	K. BEAVER	23 JUL 92		PRODUCT SPEC											
0 PLC ± - 1 PLC ± - 2 PLC ± 0.13 [.005] 3 PLC ± - 4 PLC ± - ANGLES ± - FINISH -		APPLICATION SPEC		108-10024		RESTRICTED TO											
MATERIAL SEE CALLOUTS		WEIGHT	-		SIZE	A2	CAGE CODE	00779	DRAWING NO	C=205842	SCALE	2:1	SHEET	1 OF 1	REV	J1	
CUSTOMER DRAWING										SCALE		2:1	SHEET		1 OF 1	REV	J1

Mouser Electronics

Authorized Distributor

Click to View Pricing, Inventory, Delivery & Lifecycle Information:

[TE Connectivity:](#)

[205842-1](#)