



# 92x92x25 mm

San Ace 92W 9WP type

## General Specifications

- Material ..... Frame: Plastic (Flammability: UL 94V-0), Impeller: Plastic (Flammability: UL 94V-0)
- Expected life ..... See the table below. (L10 life: 90% survival rate for continuous operation in indoor free air at 60°C, rated voltage)
- Motor protection function ..... Locked rotor burnout protection, Reverse polarity protection  
For details, please refer to p. 529.
- Dielectric strength ..... 50/60 Hz, 500 VAC, for 1 minute (between lead wire conductors and frame)
- Insulation resistance ..... 10 MΩ or more with a 500 VDC megger (between lead wire conductors and frame)
- Sound pressure level (SPL) ..... At 1 m away from the air inlet
- Storage temperature ..... -30 to +70°C (Non-condensing)
- Lead wire ..... ⊕Red ⊖Black or Blue (Sensor) Yellow
- Mass ..... 120 g
- Ingress protection ..... IP68

## Specifications

The models listed below **have ribs and pulse sensors**. For models without ribs, append "1" to the end of model numbers.

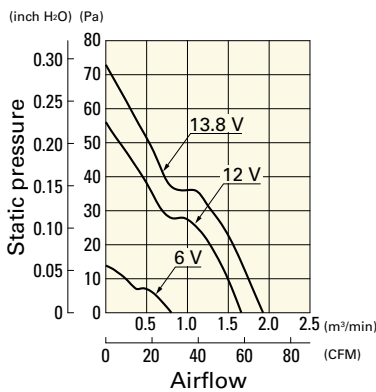
Model no.	Rated voltage [V]	Operating voltage range [V]	Rated current [A]	Rated input [W]	Rated speed [min <sup>-1</sup> ]	Max. airflow [m <sup>3</sup> /min] [CFM]	Max. static pressure [Pa] [inchH <sub>2</sub> O]	SPL [dB (A)]	Operating temperature [°C]	Expected life [h]
9WP0912S401	12	6 to 13.8	0.27	3.24	3550	1.66 58.6	56.1 0.225	39	-20 to +70	40000/60°C
9WP0912F401			0.14	1.68	2650	1.24 43.8	32.2 0.129	30		
9WP0924G401	24	12 to 27.6	0.19	4.56	3900	1.76 62.2	66.5 0.267	43		
9WP0924S401			0.15	3.6	3550	1.66 58.6	56.1 0.225	39		
9WP0924H401			0.1	2.4	3150	1.45 51.2	44 0.177	33		
9WP0924F401			0.08	1.92	2650	1.24 43.8	32.2 0.129	30		
9WP0924B401			0.05	1.2	2000	0.9 31.8	18.0 0.072	23		
									-10 to +70	

Other sensor specifications are available as options. Refer to the index (p. 560).

## Airflow - Static Pressure Characteristics

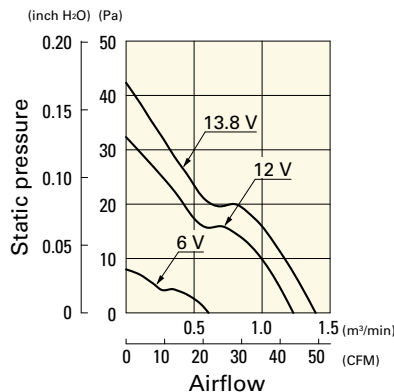
**9WP0912S401** With pulse sensor

Operating voltage range



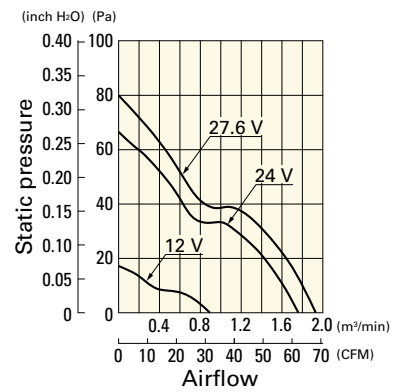
**9WP0912F401** With pulse sensor

Operating voltage range



**9WP0924G401** With pulse sensor

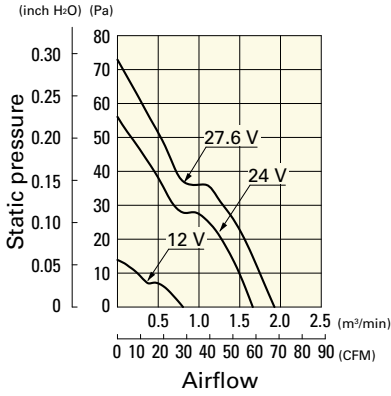
Operating voltage range



## Airflow - Static Pressure Characteristics

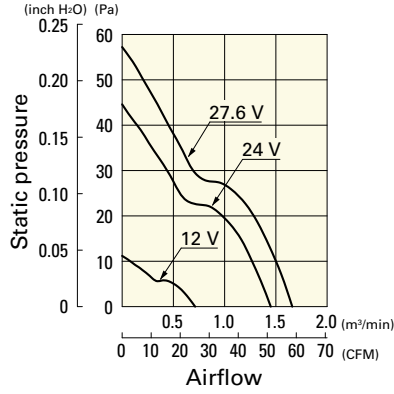
**9WP0924S401** With pulse sensor

Operating voltage range



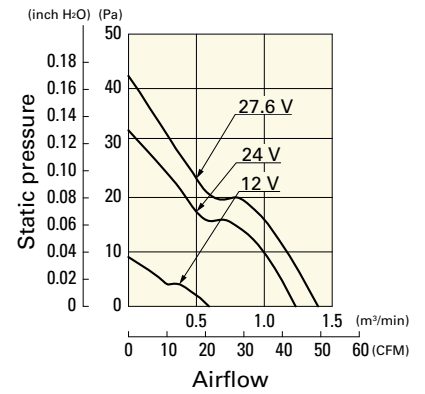
**9WP0924H401** With pulse sensor

Operating voltage range



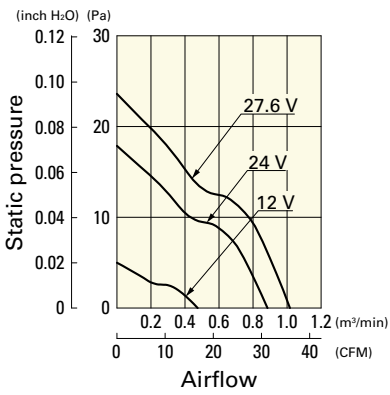
**9WP0924F401** With pulse sensor

Operating voltage range

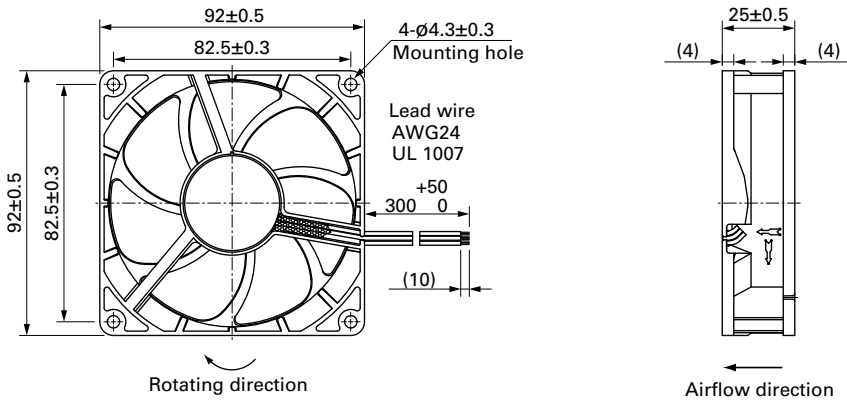


**9WP0924B401** With pulse sensor

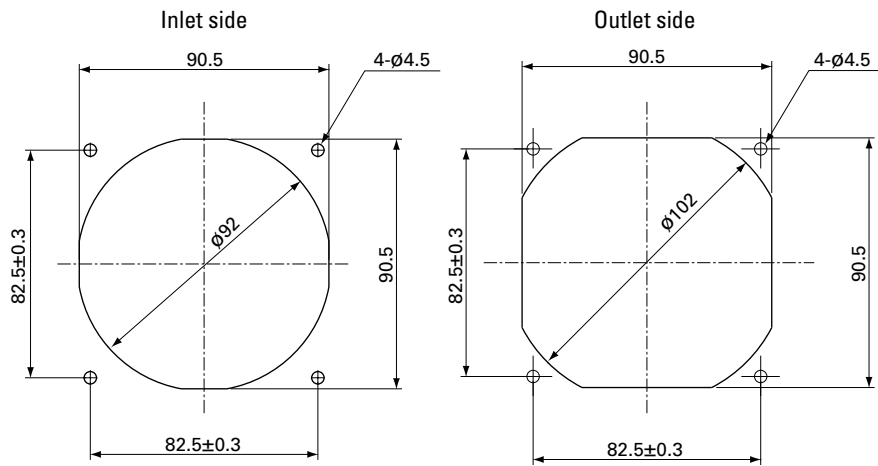
Operating voltage range



## Dimensions (unit: mm) (With ribs)



## Reference Dimensions of Mounting Holes and Vent Opening (unit: mm)



## Options

### Finger guards

page: p. 513

Model no.: 109-099C, 109-099E, 109-099H

### Resin finger guards

page: p. 520

Model no.: 109-1001G

DC

Splash Proof Fan 92 mm sq.