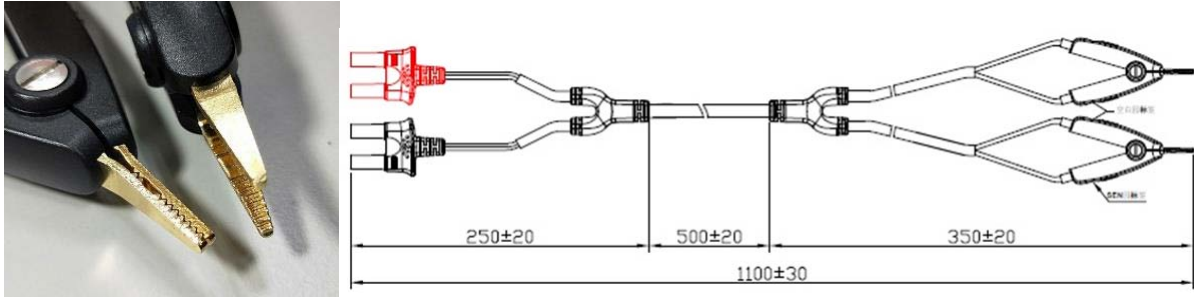
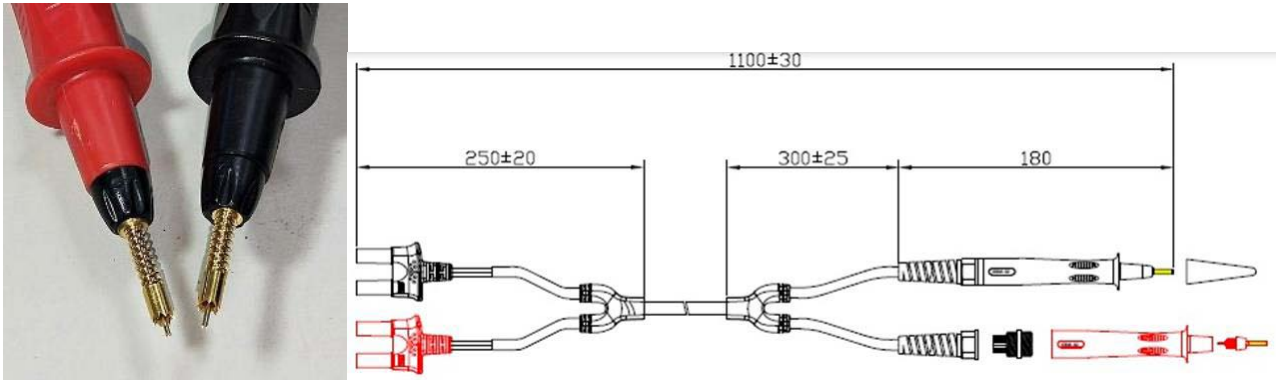


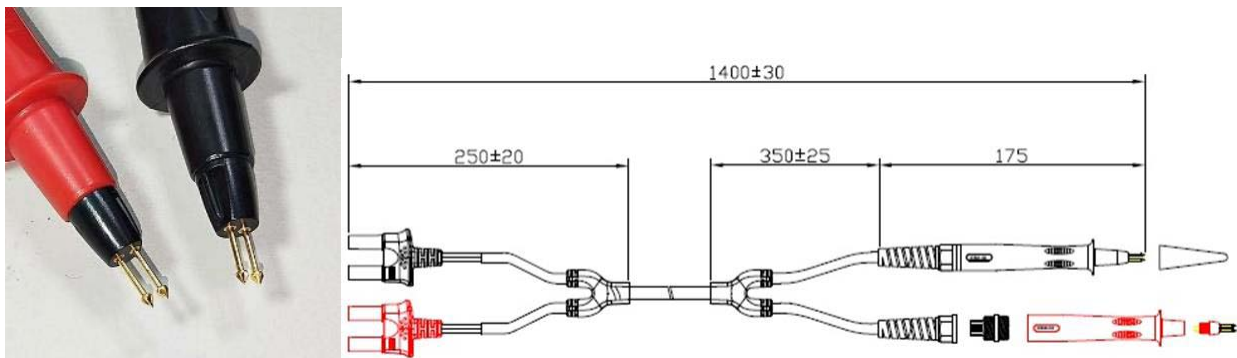
GBM-01 (Standard): Four wire (Kelvin Clip) test lead



GBM-02 (Optional): Four wire (Single Pin) test probe



GBM-03 (Optional): Four wire (Twin Pin) test probe



GBM-S1 (Optional): SHORT BAR for GBM-02/GBM-03

