

Air Cylinder

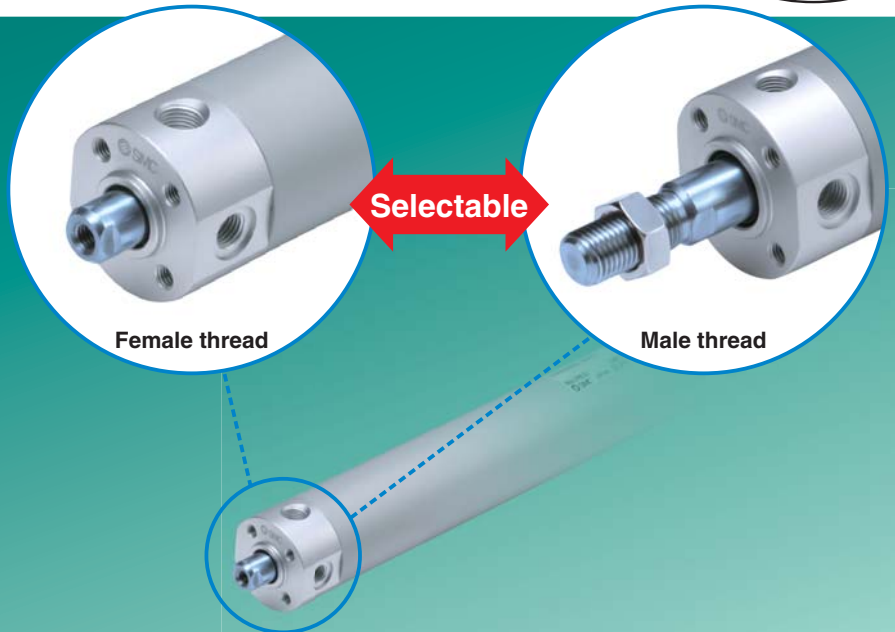
ø20, ø25, ø32, ø40, ø50, ø63, ø80, ø100

New

RoHS

Female rod end available as standard

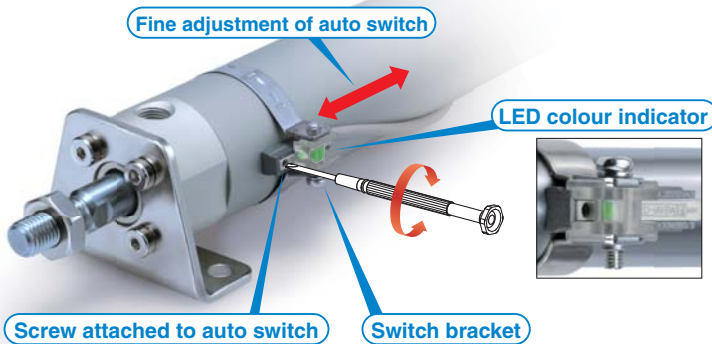
Rod end styles suitable for the application can be selected.



Easy fine adjustment of auto switch position

Fine adjustment of the auto switch position is possible by simply loosening the screw attached to the auto switch.

Transparent switch bracket improves visibility of indicator LED.



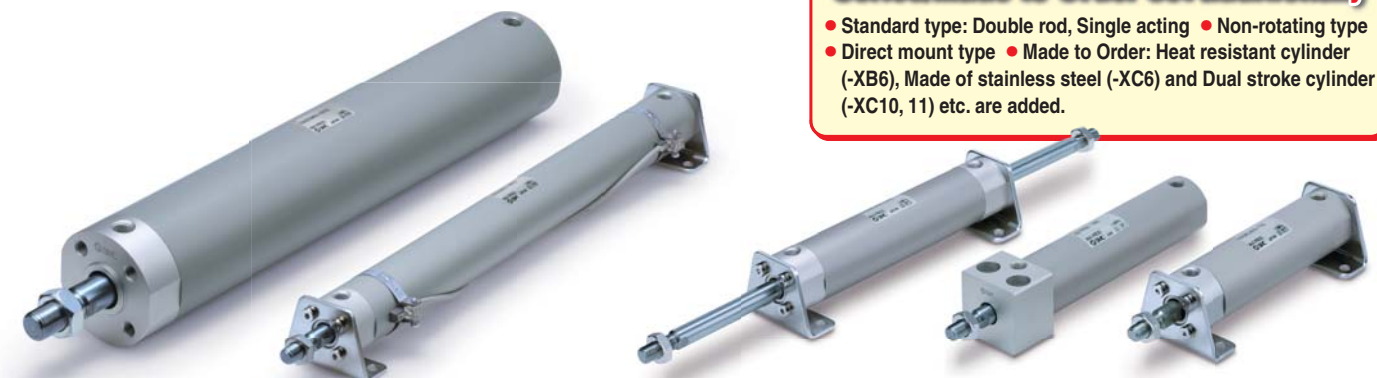
No trunnion mounting female thread added to basic type variation

No foreign matter accumulation due to the simple construction



Series/Made to Order set additionally

- Standard type: Double rod, Single acting
- Non-rotating type
- Direct mount type
- Made to Order: Heat resistant cylinder (-XB6), Made of stainless steel (-XC6) and Dual stroke cylinder (-XC10, 11) etc. are added.



Series **CG1**



CAT.EUS20-224B-UK

Part numbers with rod end bracket and/or pivot bracket available

Not necessary to order a bracket for the applicable cylinder separately

Note) Mounting bracket is shipped together with the product, but not assembled.

Example) **CDG1** **D** **N20-50Z-** **N** **W** **-M9BW**

• Mounting

Pivot bracket	
—	None
N	Pivot bracket is shipped together with the product, but not assembled.

N: Kit of pivot bracket and clevis



Kit of pivot bracket and trunnion



Rod end bracket	
—	None
V	Single knuckle joint
W	Double knuckle joint

With rod end bracket

V: Single knuckle joint

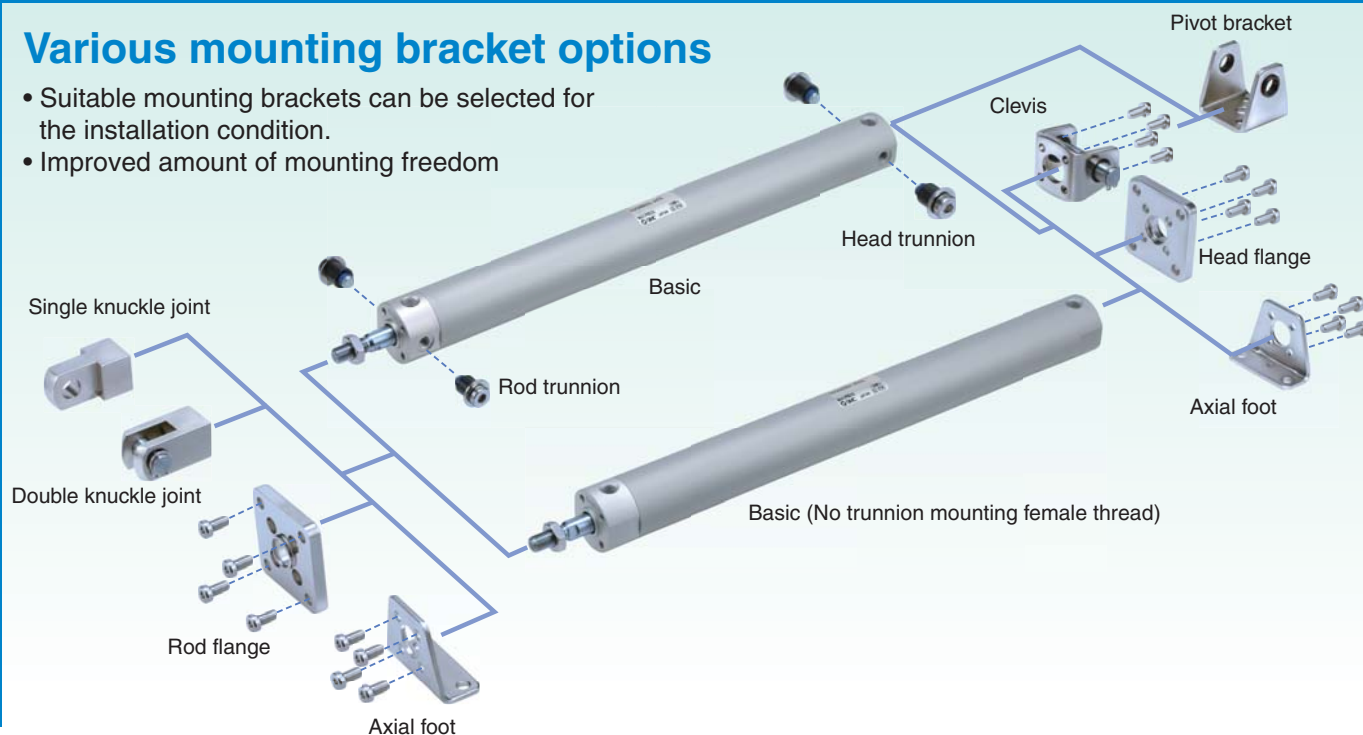
W: Double knuckle joint



* Applicable to only mounting D, U and T.

Various mounting bracket options

- Suitable mounting brackets can be selected for the installation condition.
- Improved amount of mounting freedom



Easy fine adjustment of auto switch position

Fine adjustment of the auto switch set position can be performed by loosening the auto switch attached screw without loosening the auto switch mounting band. Operability improved compared with the conventional auto switch set position adjustment, where the complete switch mounting band requires loosening.



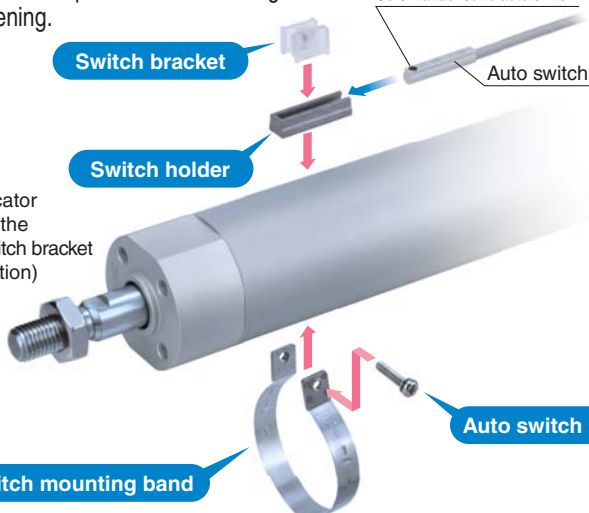
Visibility of the indicator LED improved with the transparent resin switch bracket (Standard specification)

Switch bracket

Switch holder

Screw attached to auto switch

Auto switch



Auto switch mounting band

Auto switch mounting screw

No environmental hazardous substances used

Compliant with EU RoHS directive.
Lead free bushing is used as sliding material.

Specifications, performance and mounting method are same as the existing product.

Grease is selectable. (Option)

- Grease for food processing equipment (XC85)
- PTFE grease (X446)

Water resistant compact auto switch now available

- Solid state auto switch D-M9□A(V)

Stroke Variations

Bore size [mm]	Standard stroke								
	20	50	75	100	125	150	200	250	300
20	●	●	●	●	●	●	●	●	●
25	●	●	●	●	●	●	●	●	●
32	●	●	●	●	●	●	●	●	●
40	●	●	●	●	●	●	●	●	●
50	●	●	●	●	●	●	●	●	●
63	●	●	●	●	●	●	●	●	●
80	●	●	●	●	●	●	●	●	●
100	●	●	●	●	●	●	●	●	●

Series Variations

Series CG1-Z		Action	Rod	Cushion	Bore size [mm]								Variations			Page
Series	Image				20	25	32	40	50	63	80	100	With rod boot	Air-hydro	Clean series	
Standard CG1-Z		Double acting	Single rod	Rubber bumper	●	●	●	●	●	●	●	●	●	●	●	Page 1
				Air cushion	●	●	●	●	●	●	●	●	●	●	●	
	Double acting	Double rod	Rubber bumper	●	●	●	●	●	●	●	●	●	●	●	●	
Air cushion			●	●	●	●	●	●	●	●	●	●	●			
Single acting	Single rod (Spring return / extend)	Rubber bumper	●	●	●	●	●	●	●	●	●	●	●	●		
Non-rotating rod CG1K-Z		Double acting	Single rod	Rubber bumper	●	●	●	●	●	●	●	●	●	●	Page 30	
				Air cushion	●	●	●	●	●	●	●	●	●	●		
	Double acting	Double rod	Rubber bumper	●	●	●	●	●	●	●	●	●	●	●		
Direct mount CG1R-Z		Double acting	Single rod	Rubber bumper	●	●	●	●	●	●	●	●	●	●	Page 38	
				Air cushion	●	●	●	●	●	●	●	●	●	●		
Series CG1		Double acting	Single rod	Rubber bumper	●	●	●	●	●	●	●	●	●	●	Page 38	
Direct mount, Non-rotating rod CG1KR	Image			Air cushion	●	●	●	●	●	●	●	●	●	●		
With end lock CBG1	Image	Double acting	Single rod	Rubber bumper	●	●	●	●	●	●	●	●	●	●		
Series CG3	Short type Standard CG3	Double acting	Single rod	Rubber bumper	●	●	●	●	●	●	●	●	●	●	Page 38	
				Air cushion	●	●	●	●	●	●	●	●	●	●		



www.smc.eu

Combinations of Standard Products and Made to Order Specifications

Series CG1

- : Standard
- ◎ : Made to Order
- : Special product (Please contact SMC for details.)
- : Not available

Series	CG1 (Standard type)				
	Double acting				Single acting
	Single rod		Double rod		Single rod
	Rubber	Air	Rubber	Air	Rubber
Cushion	Page 1		Page 18		Page 25
Page	ø20 to ø100				ø20 to ø40

Symbol	Specifications	Applicable bore size	ø20 to ø100				ø20 to ø40	
Standard	Standard		●	●	●	●	●	
Long st	Long stroke	ø20 to ø100	●	●	●	●	○	
D	Built-in magnet		●	●	●	●	●	
CG1□-□ _J □ _K	With rod boot	ø20 to ø100	● ^{Note 11)}	● ^{Note 11)}	● ^{Note 11)}	● ^{Note 11)}	○	
CG1□H	Air-hydro type	ø20 to ø63	●	—	●	—	—	
10-	Clean series	ø20 to ø100	●	○ ^{Note 1)}	●	○ ^{Note 1)}	○	
20- ^{Note 9)}	Copper ^{Note 8)} and Fluorine-free	ø20 to ø100	●	●	●	●	○	
CG1□ _R	Water resistant	ø32 to ø100	●	●	○	○	○	
XB6	Heat resistant cylinder (-10 to 150°C) ^{Note 7)}	ø20 to ø100	◎ ^{Note 2)}	◎	○ ^{Note 2)}	◎	○	
XB7	Cold resistant cylinder (-40 to 70°C) ^{Note 7)}		◎ ^{Note 2)}	○	○ ^{Note 2) Note 5)}	○	○	
XB9	Low speed cylinder (10 to 50 mm/s)		◎	○	○	○	—	
XB13	Low speed cylinder (5 to 50 mm/s)		◎	○	○	○	—	
XC4	With heavy duty scraper	ø32 to ø63	◎	◎	○	○	○	
XC6	Made of stainless steel	ø20 to ø100	◎	◎	◎	◎	◎ ^{Note 6)}	
XC8	Adjustable stroke cylinder/ Adjustable extension type	ø20 to ø63	◎	○	—	—	○	
XC9	Adjustable stroke cylinder/ Adjustable retraction type		◎	○	—	—	○	
XC10	Dual stroke cylinder/Double rod type		◎	◎	—	—	○	
XC11	Dual stroke cylinder/Single rod type		◎	◎	—	—	○	
XC12	Tandem cylinder		◎	○	—	—	○	
XC13	Auto switch rail mounting		ø20 to ø100	◎	◎	◎ ^{Note 5)}	◎ ^{Note 5)}	○
XC20	Head cover axial port	ø20 to ø63	◎	○	—	—	○	
XC22	Fluororubber seal	ø20 to ø100	◎ ^{Note 2)}	◎	◎ ^{Note 2)}	◎	○	
XC27	Double clevis and double knuckle joint pins made of stainless steel		◎	◎	○	○	○	
XC29	Double knuckle joint with spring pin		◎	◎	○	○	○	
XC35	With coil scraper		◎	○	○	○	○	
XC37	Larger throttle diameter of connection port	ø20 to ø63	◎	○	◎	○	○	
XC42	Built-in shock absorber in head cover side	ø20 to ø63	◎	○	—	—	○	
XC85	Grease for food processing equipment		ø20 to ø100	◎	◎	◎	◎	○
X446	PTFE grease		ø20 to ø100	◎	○	○	○	○

Note 1) ø40 to ø63 only

Note 2) Without bumper

Note 3) ø32 to ø100 only

Note 4) SV type only (Heat resistant grease is used.)

Note 5) ø20 to ø63 only

Note 6) Single acting/spring return type (S) only

Note 7) The products with an auto switch are not compatible.

Note 8) Copper-free for the externally exposed part

Note 9) For details, refer to www.smc.eu.

Note 10) Long stroke is beyond the performance guarantee.

Note 11) Female rod end is available as a special order.

CG1K (Non-rotating rod type)		CG1R (Direct mount type)				
Double acting		Double acting				
Single rod		Double rod	Single rod			
Rubber	Air	Rubber	Rubber	Air		
Page 30		Page 34	Page 38			
ø20 to ø63	ø40 to ø63	ø20 to ø63	ø20 to ø63		Symbol	
●	●	●	●	●	Standard	
● Note 10)	● Note 10)	● Note 10)	○	○	Long st	
●	●	●	●	●	D	
○	○	○	○	○	CG1□-□ ^J _K	
—	—	—	○	—	CG1□H	
—	—	—	○	○	10-	
●	○	●	●	●	20- Note 9)	
—	—	—	○	○	CG1□ ^R _V	
—	—	—	○ Note 2)	○	XB6	
—	—	—	○ Note 2)	○	XB7	
—	—	—	○	○	XB9	
—	—	—	○	○	XB13	
—	—	—	○	○	XC4	
—	—	—	◎	◎	XC6	
◎	○	—	◎	○	XC8	
◎	○	—	◎	○	XC9	
◎	○	—	○	○	XC10	
○	○	—	○	○	XC11	
○	○	○	○	○	XC12	
◎	○	○	◎	○	XC13	
◎	○	—	◎	○	XC20	
○	○	○	◎ Note 2)	◎	XC22	
○	○	○	○	○	XC27	
○	○	○	○	○	XC29	
—	—	—	○	○	XC35	
○	○	○	○	○	XC37	
◎	○	—	○	○	XC42	
○	○	○	◎	◎	XC85	
○	○	○	○	○	X446	

Double Acting, Single Rod	CG1
Double Acting, Double Rod	CG1W
Standard	CG1W
Single Acting, Spring Return/Extend	CG1
Non-rotating Rod	
Double Acting, Single Rod	CG1K
Double Acting, Double Rod	CG1KW
Direct Mount	
Double Acting, Single Rod	CG1R
Auto Switch	
Made to Order	

Air Cylinder: Standard Type Double Acting, Single Rod

Series CG1

ø20, ø25, ø32, ø40, ø50, ø63, ø80, ø100

RoHS

How to Order



CG1 B N 20 - 100 Z - V

With auto switch CDG1 D N 20 - 100 Z - N W - M9BW

With auto switch (Built-in magnet)

Mounting

B	Basic
Z*	Basic (without trunnion mounting female thread)
L	Axial foot
F	Rod flange
G	Head flange
U*	Rod trunnion
T*	Head trunnion
D	Clevis

* Not available for ø80 or ø100.
* Mounting bracket is shipped together with the product, but not assembled.
* The cylinder for F, G, L, D mounting types is Z: Basic (without trunnion mounting female thread).

Bore size

20	20 mm
25	25 mm
32	32 mm
40	40 mm
50	50 mm
63	63 mm
80	80 mm
100	100 mm

Type

N	Rubber bumper
A	Air cushion

Port thread type

Rubber bumper		Air cushion	
—	Rc ø20 to ø100	M5 x 0.8	ø20, ø25
TN	NPT ø20 to ø100	Rc	ø32 to ø100
TF	M5 x 0.8 ø20, ø25	NPT	ø32 to ø100
	G ø32 to ø100	G	ø32 to ø100

Pivot bracket

—	None
N	Pivot bracket is shipped together with the product, but not assembled

* Only for D, U, T mounting types
* Pivot bracket is shipped together with the product, but not assembled.

Rod end bracket

—	None
V	Single knuckle joint
W	Double knuckle joint

* No bracket is provided for the female rod end.
* Rod end bracket is shipped together with the product, but not assembled.
* A knuckle joint pin is not provided with the single knuckle joint.

Made to Order
For details, refer to page 2.

Number of auto switches

—	2 pcs.
S	1 pc.
n	"n" pcs.

Auto switch

—	Without auto switch
---	---------------------

* For applicable auto switches, refer to the table below.

Rod end thread

—	Male rod end
F	Female rod end

Suffix for cylinder (Rod boot)

—	Without rod boot
J	Nylon tarpaulin
K	Heat resistant tarpaulin

* In the case of w/rod boot, and a foot bracket or rod flange as a bracket, those parts are to be assembled at the time of shipment.
* For female rod end, no rod boot is provided.

Cylinder stroke [mm]
Refer to "Standard Strokes" on page 2.

Applicable Auto Switches/Refer to the Auto Switch Guide for further information on auto switches.

Type	Special function	Electrical entry	Indicator/light	Wiring (Output)	Load voltage		Auto switch model			Lead wire length [m]					Pre-wired connector	Applicable load		
					DC	AC	Applicable bore size			0.5 (-)	1 [m]	3 (L)	5 (Z)	None [N]		IC circuit	Relay, PLC	
							ø20 to ø63	ø80, ø100	Perpendicular									In-line
Solid state auto switch	—	Grommet	No	3-wire (NPN)	5 V, 12 V	—	—	—	—	—	—	—	—	—	—	—	—	
																		3-wire (PNP)
				2-wire	12 V	—	—	—	—	—	—	—						
		Connector											Yes	3-wire (NPN)	24 V	5 V, 12 V	—	—
				3-wire (PNP)	—	—	—	—	—	—	—	—						
														2-wire	12 V	—	—	—
	Grommet	No	3-wire (NPN)	5 V, 12 V	—	—	—	—	—	—	—	—	—					
														3-wire (PNP)	—	—	—	—
			2-wire	12 V	—	—	—	—	—	—	—							
	Water resistant (2-colour indication)	No										3-wire (NPN)	5 V, 12 V	—	—	—	—	—
			3-wire (PNP)	—	—	—	—	—	—	—	—							
												2-wire	12 V	—	—	—	—	—
With diagnostic output (2-colour indication)	Yes	4-wire (NPN)	5 V, 12 V	—	—	—	—	—	—	—	—							
												—	—	—	—	—	—	—
		—	—	—	—	—	—	—	—	—								
Reed auto switch	—										Grommet	Yes	3-wire (NPN equivalent)	24 V	5 V	—	—	—
		2-wire	12 V	—	—	—	—	—	—	—								
													Connector	No	100 V	—	—	—
		100 V or less	—	—	—	—	—	—	—	—								
											100 V, 200 V				—	—	—	—
		200 V or less	—	—	—	—	—	—	—	—								
	Grommet										Yes	24 V or less	—	—	—	—	—	—
		—	—	—	—	—	—	—	—	—								
												—	—	—	—	—	—	—
	Diagnostic indication (2-colour indication)	Yes	—	—	—	—	—	—	—	—	—							
												—	—	—	—	—	—	—
			—	—	—	—	—	—	—	—	—							

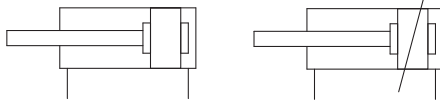
*** Water resistant type auto switches can be mounted on the above models, but in such case SMC cannot guarantee the water resistance.
A water-resistant type cylinder is recommended for use in an environment which requires water resistance. However, please contact SMC for water-resistant products of ø20 and ø25.
* Lead wire length symbols: 0.5 m..... — (Example) M9NV
1 m..... M (Example) M9NWM
3 m..... L (Example) M9NWL
5 m..... Z (Example) M9NWZ
None..... N (Example) H7CN
* Solid state auto switches marked with "O" are produced upon receipt of order.
* Since there are other applicable auto switches than listed, refer to page 47 for details.
* For details about auto switches with pre-wired connector, refer to the Auto Switch Guide.
* The D-A□□/M9□□□ auto switches are shipped together, (but not assembled). (However, only the auto switch mounting brackets are assembled before shipment.)



Symbol

Rubber bumper

Air cushion



Refer to pages 42 to 47 for cylinders with auto switches.
<ul style="list-style-type: none"> Auto switch proper mounting position (detection at stroke end) and its mounting height Minimum stroke for auto switch mounting Operating range Auto switch mounting brackets/Part no.



Made to Order
(For details, refer to pages 49 to 65.)

Symbol	Specifications
-XA□	Change of rod end shape
-XB6	Heat resistant cylinder (-10 to 150°C)*1
-XB7	Cold resistant cylinder (-40 to 70°C)*2
-XB9	Low speed cylinder (10 to 50 mm/s)*3
-XB13	Low speed cylinder (5 to 50 mm/s)*3
-XC4	With heavy duty scraper
-XC6	Made of stainless steel
-XC8	Adjustable stroke cylinder/Adjustable extension type*3
-XC9	Adjustable stroke cylinder/Adjustable retraction type*3
-XC10	Dual stroke cylinder/Double rod type
-XC11	Dual stroke cylinder/Single rod type
-XC12	Tandem cylinder*3
-XC13	Auto switch rail mounting
-XC20	Head cover axial port*3
-XC22	Fluororubber seal*1
-XC27	Double clevis and double knuckle joint pins made of stainless steel
-XC29	Double knuckle joint with spring pin
-XC35	With coil scraper*3
-XC37	Larger throttle diameter of connection port*3
-XC42	Built-in shock absorber in head cover side*3
-XC85	Grease for food processing equipment*3
-X446	PTFE grease

- *1 Cylinders with rubber bumper have no bumper.
- *2 Only compatible with cylinders with rubber bumper, but has no bumper.
- *3 Only compatible with cylinders with rubber bumper.

Specifications

Bore size [mm]		20	25	32	40	50	63	80	100	
Action		Double acting, Single rod								
Lubricant		Not required (Non-lube)								
Fluid		Air								
Proof pressure		1.5 MPa								
Maximum operating pressure		1.0 MPa								
Minimum operating pressure		0.05 MPa								
Ambient and fluid temperature		Without auto switch: -10°C to 70°C With auto switch : -10°C to 60°C (No freezing)								
Piston speed		50 to 1000 mm/s							50 to 700 mm/s	
Stroke length tolerance		Up to 1000 st $^{+1.4}_0$ mm, Up to 1500 st $^{+1.8}_0$ mm								
Cushion		Rubber bumper, Air cushion								
Mounting**		Basic, Basic (without trunnion mounting female thread), Axial foot, Rod flange, Head flange, Rod trunnion, Head trunnion, Clevis (used for changing the port location by 90°)								
Allowable kinetic energy (J)	Rubber bumper	Male rod end	0.28	0.41	0.66	1.20	2.00	3.40	5.90	9.90
		Female rod end	0.11	0.18	0.29	0.52	0.91	1.54	2.71	4.54
	Air cushion	Male rod end	R: 0.35 H: 0.42	R: 0.56 H: 0.65	0.91	1.80	3.40	4.90	11.80	16.70
		Female rod end	0.11	0.18	0.29	0.52	0.91	1.54	2.71	4.54

* R: Rod side, H: Head side

** Cylinder sizes ø80 and ø100 do not have basic (without trunnion mounting female thread), rod trunnion and head trunnion types. Foot, flange and clevis types of cylinder sizes from ø20 to ø63 do not have trunnion mounting female thread. Operate the cylinder within the allowable kinetic energy.

Accessories

Mounting		Basic	Axial foot	Rod flange	Head flange	Rod trunnion	Head trunnion	Clevis
Standard	Rod end nut	●	●	●	●	●	●	●
	Clevis pin	—	—	—	—	—	—	●
Option	Single knuckle joint	●	●	●	●	●	●	●
	Double knuckle joint (with pin)**	●	●	●	●	●	●	●
	Pivot bracket*	—	—	—	—	●*	●*	●
	Rod boot	●	●	●	●	●	●	●

* Not available for ø80 and ø100.

** A double knuckle joint pin and retaining rings are shipped together.

Standard Strokes

Bore size [mm]	Standard stroke [mm] ^{Note 1)}	Long stroke [mm] ^{Note 2)}
20	25, 50, 75, 100, 125, 150, 200	201 to 1500
25	25, 50, 75, 100, 125, 150, 200, 250, 300	301 to 1500
32		
40		
50, 63		
80		
100		

Note 1) Intermediate strokes not listed above are produced upon receipt of order. Manufacture of intermediate strokes at 1 mm intervals is possible. (Spacers are not used.)

Note 2) The long stroke shows the maximum manufacturable stroke. For details about maximum stroke that can be used for each mounting bracket, contact SMC.

Double Acting, Single Rod **CG1**
 Standard Double Acting, Double Rod **CG1W**
 Single Acting, Spring Return/Extend **CG1**
 Non-rotating Rod Double Acting, Single Rod **CG1K**
 Double Acting, Double Rod **CG1KW**
 Direct Mount Double Acting, Single Rod **CG1R**
 Auto Switch
 Made to Order

Series CG1

Ordering Example of Cylinder Assembly

Cylinder model: CDG1DN20-100Z-NW-M9BW

Mounting **D: Clevis**
Pivot bracket **N: Yes**
Rod end bracket **W: Double knuckle joint**
Auto switch D-M9BW: 2 pcs.

*Pivot bracket, double knuckle joint and auto switch are shipped together with the product, but not assembled.

Rod Boot Material

Symbol	Rod boot mater	Maximum operating temperature
J	Nylon tarpaulin	70°C
K	Heat resistant tarpaulin	110°C*

* Maximum ambient temperature for the rod boot itself.

Mounting Brackets/Part No.

Mounting bracket	Order q'ty	Bore size [mm]								Contents
		20	25	32	40	50	63	80	100	
Axial foot	2 <small>Note 1)</small>	CG-L020	CG-L025	CG-L032	CG-L040	CG-L050	CG-L063	CG-L080	CG-L100	2 foots, 8 mounting bolts
Flange	1	CG-F020	CG-F025	CG-F032	CG-F040	CG-F050	CG-F063	CG-F080	CG-F100	1 flange, 4 mounting bolts
Trunnion pin	1	CG-T020	CG-T025	CG-T032	CG-T040	CG-T050	CG-T063	—	—	2 trunnion pins, 2 trunnion bolts, 2 flat washers
Clevis	1	CG-D020	CG-D025	CG-D032	CG-D040	CG-D050	CG-D063	CG-D080	CG-D100	1 clevis, 4 mounting bolts, 1 clevis pin, 2 retaining rings
Pivot bracket <small>Note 2)</small>	1	CG-020-24A	CG-025-24A	CG-032-24A	CG-040-24A	CG-050-24A	CG-063-24A	CG-080-24A	CG-100-24A	1 pivot bracket

Note 1) Order two foots per cylinder.

Note 2) Can be combined with the trunnion pin and the clevis.

Mounting Brackets, Accessories/Material, Surface Treatment

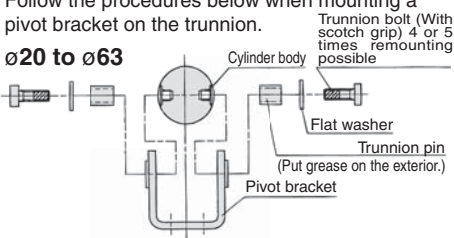
Segment	Description	Material	Surface treatment	
Mounting brackets	Foot	Carbon steel	Nickel plating	
	Flange	Carbon steel (ø20 to ø63)	Nickel plating	
		Cast iron (ø80, ø100)	Nickel plating	
	Clevis	Carbon steel (ø20 to ø63)	Nickel plating	
		Cast iron (ø80, ø100)	Nickel plating	
	Trunnion pin	Trunnion pin	Carbon steel	Salt-bath nitrocarburising
		Trunnion bolt	Carbon steel	Nickel plating
Flat washer		Carbon steel	Nickel plating	
Accessories	Rod end nut	Carbon steel	Zinc chromated	
	Single knuckle joint	Carbon steel (ø20 to ø32)	Nickel plating	
		Cast iron (ø40 to ø100)	Zinc chromated	
	Double knuckle joint	Carbon steel (ø20 to ø32)	Nickel plating	
		Cast iron (ø40 to ø100)	Zinc chromated	
	Knuckle pin	Carbon steel	—	
	Clevis pin	Carbon steel	—	
	Pivot bracket	Carbon steel (ø20 to ø63)	Nickel plating	
		Cast iron (ø80, ø100)	Nickel plating	
Mounting bolt	Carbon steel	Nickel plating		
Retaining ring	Carbon tool steel	Phosphate coating		

Mounting Procedure

Mounting procedure for trunnion

Follow the procedures below when mounting a pivot bracket on the trunnion.

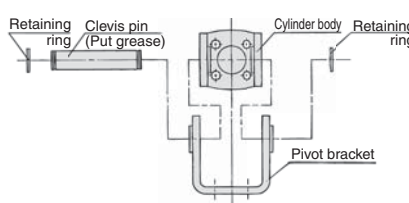
ø20 to ø63



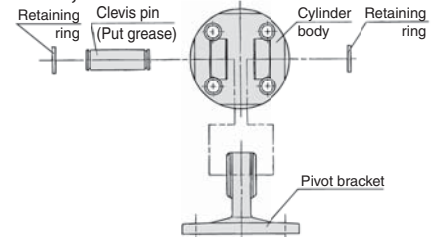
Mounting procedure for clevis

Follow the procedures below when mounting a pivot bracket on the clevis.

ø20 to ø63



ø80, ø100



Weights

Bore size [mm]		20	25	32	40	50	63	80	100
Basic weight	Basic (B)	0.11	0.17	0.24	0.44	0.79	1.06	2.07	3.16
	Basic (Z)	0.11	0.17	0.25	0.45	0.80	1.09	—	—
	Axial foot	0.21	0.29	0.40	0.67	1.26	1.77	3.04	4.91
	Flange	0.18	0.26	0.38	0.65	1.16	1.64	2.78	4.44
	Trunnion	0.12	0.19	0.28	0.49	0.88	1.20	—	—
	Clevis	0.17	0.25	0.39	0.68	1.19	1.78	2.77	4.44
Pivot bracket		0.08	0.09	0.17	0.25	0.44	0.80	0.98	1.75
Single knuckle joint		0.05	0.09	0.09	0.10	0.22	0.22	0.39	0.57
Double knuckle joint (with pin)		0.05	0.09	0.09	0.13	0.26	0.26	0.64	1.31
Additional weight per 50 mm of stroke		0.05	0.07	0.09	0.14	0.21	0.25	0.35	0.50
Additional weight for switch magnet		0.01	0.01	0.01	0.01	0.01	0.02	0.02	0.04
Additional weight with air cushion		0	0.01	0.04	0	0.01	0.04	0	0.04
Weight reduction for female rod end		-0.01	-0.02	-0.02	-0.05	-0.10	-0.10	-0.19	-0.27

Calculation (Example) **CDG1FN20-100Z**
(Built-in magnet, Flange, ø20, 100 stroke)

- Basic weight.....0.18 kg (Flange, ø20)
 - Additional weight for stroke.....0.05 kg/ 50 mm
 - Air cylinder stroke100 mm
 - Additional weight for switch magnet.....0.01 kg
- $$0.18 + 0.05 \times (100/50) + 0.01 = 0.29 \text{ kg}$$

Weights of Cylinder Movable Parts

Bore size [mm]	20	25	32	40	50	63	80	100
Male rod end	40.0	68.5	96.0	209.7	379.1	409.7	827.8	1259.7
Female rod end	30.9	51.7	77.0	161.0	282.0	312.5	637.4	991.5

Additional Weights

Bore size [mm]	20	25	32	40	50	63	80	100
Additional weight per 50 mm of stroke	19.6	30.6	44.1	78.4	122.5	122.5	191.4	275.7
Switch magnet	3.5	4.0	9.0	12.6	14.0	22.0	24.0	35.0

* Do not apply a lateral load over the allowable range to the rod end when it is mounted horizontally.

Standard weight of movable parts

Calculation (Example) **CDG1BN40-150Z** (Built-in magnet, Basic, ø40, 150 stroke)

- Standard weight of movable parts: Male rod end, Bore size [40]209.7 g
- Additional weight: Additional weight of stroke 78.4 x 150/50 = 235.2 g235.2 g
- Switch magnet.....12.6 g

Total 457.5 g

Clean Series

10-CG1 **Mounting style** N **Bore size** — **Stroke** Z

↓ Clean Series (With relief port)

The type which is applicable for using inside the clean room graded Class 100 by making an actuator's rod section a double seal construction and discharging by relief port directly to the outside of clean room.

Specifications

Bore size [mm]	20, 25, 32, 40, 50, 63, 80, 100
Action	Double acting
Fluid	Air
Maximum operating pressure	1.0 MPa
Minimum operating pressure	0.05 MPa
Cushion	Rubber bumper
Piston speed	30 to 400 mm/s
Relief port size	M5 x 0.8
Mounting	Basic, Axial foot, Rod flange, Head flange**

* Auto switch can be mounted.

** The basic type is B type only. However, no trunnion mounting female thread is provided.

Air-hydro

CG1 **Mounting style** H **Bore size** — **Stroke** Z

↓ Air-hydro

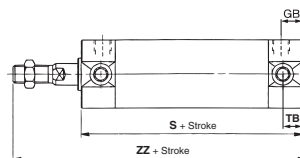
Low pressure hydraulic cylinder of 1.0 MPa or less

When using together with the CC series air-hydro unit, constant and low speed actuation and intermediate stopping similar to hydraulic units are possible with the use of valves and other pneumatic equipment.

Specifications

Bore size [mm]	20, 25, 32, 40, 50, 63
Action	Double acting
Fluid	Turbine oil
Proof pressure	1.5 MPa
Maximum operating pressure	1.0 MPa
Minimum operating pressure	0.18 MPa
Piston speed	15 to 300 mm/s
Cushion	None
Ambient and fluid temperature	5 to 60°C
Mounting	Basic, Axial foot, Rod flange, Head flange, Rod trunnion, Head trunnion, Clevis (used for changing the port location by 90°)

* Auto switch can be mounted.

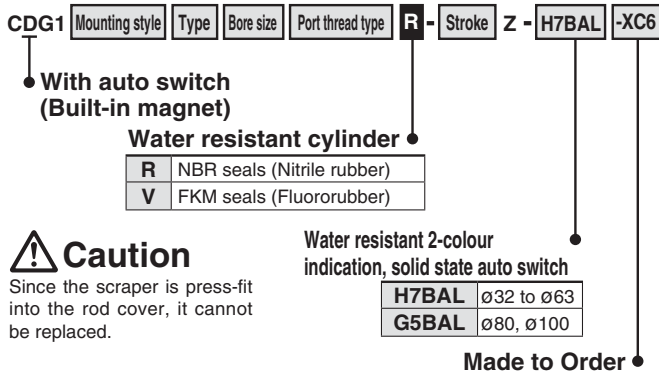


Bore size [mm]	GB	TB	S	ZZ
20	12	11	77	114
25	12	11	77	119
32	12	11	79	121
40	13	12	87	139
50	14	13	102	162
63	14	13	102	162

* Other dimensions are the same as the double acting, single rod, standard type.

Series CG1

Water Resistant



Caution

Since the scraper is press-fit into the rod cover, it cannot be replaced.

Applicable for use in an environment with water splashing such as food processing and car wash equipment, etc.

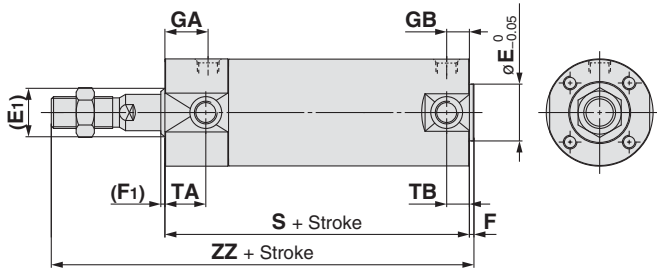
Specifications

Bore size [mm]	32, 40, 50, 63, 80, 100
Action	Double acting, Single rod
Cushion	Rubber bumper/Air cushion
Auto switch mounting	Band mounting type
Made to Order	XC6: Made of stainless steel

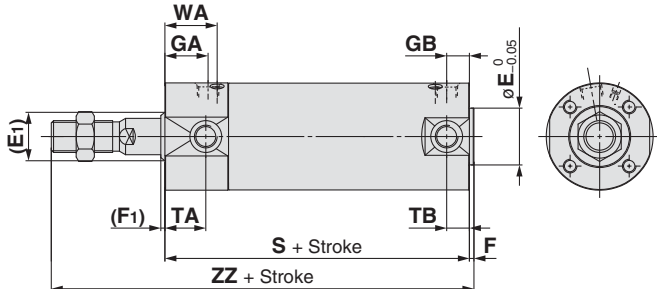
* Specifications other than above are the same as standard, basic type.

Dimensions

With rubber bumper



With air cushion



Bore size	(E1)	* E	(F1)	* F	GA	S	TA	WA	ZZ
32	17	18	2	2	18	77 (85)	17	22	119 (127)
40	21	25	2	2	19	84 (93)	18	23	136 (145)
50	26	30	2	2	21	97 (109)	20	25	157 (169)
63	26	32	2	2	21	97 (109)	20	25	157 (169)
80	32	40	3	3	28	116 (130)	—	32	190 (204)
100	37	50	3	3	29	117 (131)	—	33	191 (205)

* Other dimensions are the same as the double acting single rod standard type.
* () : Denotes the dimensions for long stroke.

Precautions

Be sure to read before handling. Refer to back cover for Safety Instructions. For Actuator and Auto Switch Precautions, refer to “Handling Precaution for SMC Products” and the Operation Manual on SMC website, <http://www.smcworld.com>

Operating Precautions

Warning

- Do not operate the cushion valve in the fully closed or fully opened state.**
Using it in the fully closed state will cause the cushion seal to be damaged. Using it in the fully opened state will cause the piston rod assembly or the cover to be damaged.
- Operate within the specified cylinder speed.**
Otherwise, cylinder and seal damage may occur.
- Use caution regarding the cushion performance in the low-speed range.**
There may be individual performance and effect variances when used near 50 mm/s. Please consult with SMC about usage.
- When the cylinder is used as mounted with a single side fixed or free (basic, flange types), a bending moment will be applied to the cylinder due to the vibration generated at the stroke end, and the cylinder may be damaged. In such a case, mount a bracket to reduce the vibration of the cylinder or use the cylinder at a piston speed low enough to prevent the cylinder from vibrating at the stroke end. Also, use a support bracket to reduce vibrations when the cylinder body moves or when the cylinder is fixed horizontally on one side and moved at a high speed and frequency.**
- Do not apply excessive lateral load to the piston rod.**

Easy checking method

Minimum operating pressure after the cylinder is mounted to the equipment
 $[MPa] = \text{Minimum operating pressure of cylinder [MPa]} + \{ \text{Load weight [kg]} \times \text{Friction coefficient of guide/Sectional area of cylinder [mm}^2\}$

If smooth operation is confirmed within the above value, the load on the cylinder is the resistance of the thrust only and it can be judged as having no lateral load.

Caution

- Do not use the air cylinder as an air-hydro cylinder.**
This will cause an oil leak.
- Install a rod boot without twisting.**
If the cylinder is installed with its bellows twisted, it could damage the bellows.
- Tighten clevis bracket mounting bolts with the following proper tightening torque.**
 ø20: 1.5 N·m, ø25 to 32: 2.9 N·m, ø40: 4.9 N·m,
 ø50: 11.8 N·m, ø63 to 80: 24.5 N·m, ø100: 42.2 N·m

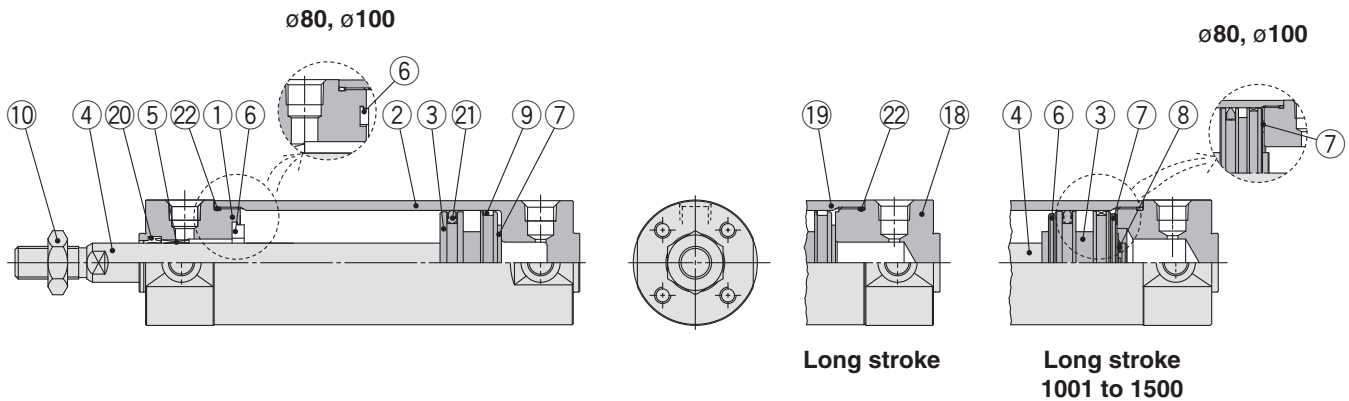
Disassembly/Replacement

Caution

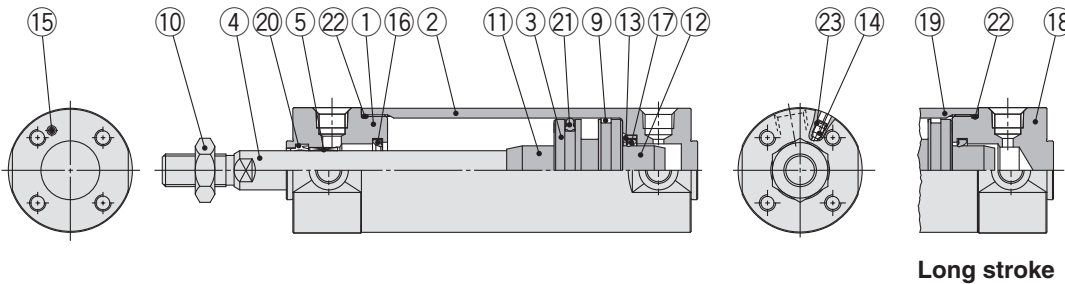
- Do not replace the bushings.**
The bushings are press-fit. To replace them, they must be replaced together with the cover assembly.
- To replace a seal, apply grease to the new seal before installing it.**
If the cylinder is put into operation without applying grease to the seal, it could cause the seal to wear significantly, leading to premature air leakage.
- Cylinders with ø50 or larger bore sizes cannot be disassembled.**
When disassembling cylinders with bore sizes of ø20 through ø40, grip the double flat part of either the head cover or the rod cover with a vise and loosen the other side with a wrench or a monkey wrench etc., and then remove the cover. When re-tightening, tighten approximately 2 degrees more than the original position. (Cylinders with ø50 or larger bore sizes are tightened with a large tightening torque and cannot be disassembled. If disassembly is required, please contact SMC.)

Construction

With rubber bumper



With air cushion



Component Parts

No.	Description	Material	Note
1	Rod cover	Aluminium alloy	Hard Anodised
2	Tube cover	Aluminium alloy	Hard Anodised
3	Piston	Aluminium alloy	
4	Piston rod	Stainless steel	For ø20 or ø25 with built-in magnet
		Carbon steel*	Hard chrome plating*
5	Bushing	Bearing alloy	
6	Bumper	Resin	ø32 or larger is common.
7	Bumper	Resin	
8	Retaining ring	Stainless steel	Except ø80 and ø100
9	Wear ring	Resin	
10	Rod end nut	Carbon steel	Zinc chromated
11	Cushion ring A	Aluminium alloy	
12	Cushion ring B	Aluminium alloy	

Note) For cylinders with auto switches, the magnet is installed in the piston.

* The material for ø20, ø25 cylinders with auto switches is made of stainless steel.

No.	Description	Material	Note
13	Seal retainer	Rolled steel	Zinc chromated
14	Cushion valve	ø40 or smaller	Carbon steel
		ø50 or larger	Steel wire
15	Steel ball	Carbon steel	
16	Cushion ring A	Urethane	ø32 or larger is common.
17	Cushion ring B	Urethane	
18	Head cover	Aluminium alloy	Hard Anodised
19	Cylinder tube	Aluminium alloy	Hard Anodised
20	Rod seal	NBR	
21	Piston seal	NBR	
22	Tube gasket	NBR	
23	Valve seal	NBR	

Replacement Parts/Seal Kit

Bore size [mm]	Kit no.	Contents
20	CG1N20Z-PS	Set of the nos. 20, 21, 22
25	CG1N25Z-PS	
32	CG1N32Z-PS	
40	CG1N40Z-PS	

Note) Refer to the Specific Product Precautions on page 5 for Disassembly/Replacement. Order with the kit number according to the bore size.

* The seal kit includes a grease pack (10 g).

Order with the following part number when only the grease pack is needed. **Grease pack part number: GR-S-010** (10 g)

Double Acting, Single Rod
CG1

Standard
Double Acting, Double Rod
CG1W

Single Acting, Spring Return/Extend
CG1

Non-rotating Rod
Double Acting, Single Rod
CG1K

Double Acting, Double Rod
CG1KW

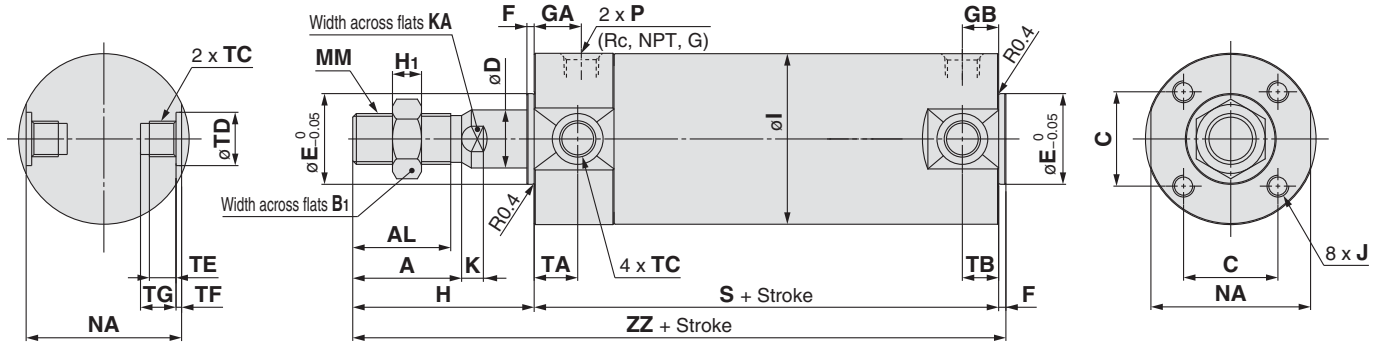
Direct Mount
Double Acting, Single Rod
CG1R

Auto Switch

Made to Order

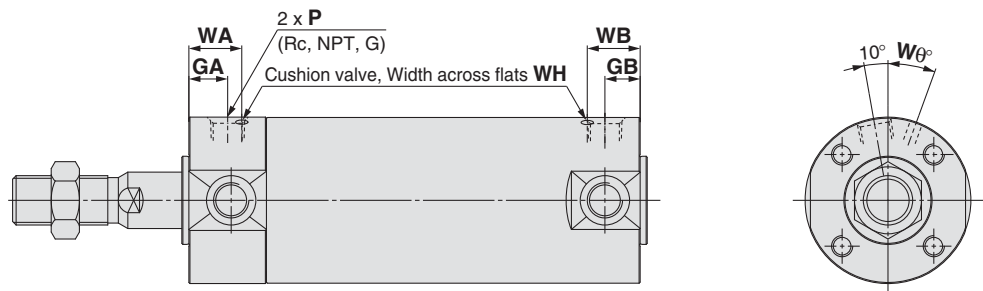
Series CG1

Basic: CG1BN

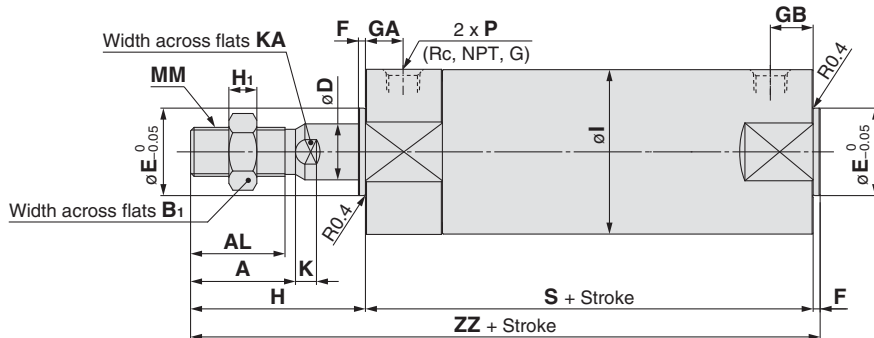


TC thread detail

With air cushion



Basic (No Trunnion Mounting Female Thread): CG1ZN



[mm]

Bore size	Stroke range		Rc, NPT port			G port																	
	Standard	Long stroke	GA	GB	P	GA	GB	P	A	AL	B ₁	C	D	E	F	H	H ₁	I	J	K	KA	MM	
20	Up to 200	201 to 1500	12	10 (12)	1/8	12	10 (12)	M5 x 0.8	18	15.5	13	14	8	12	2	35	5	26	M4 x 0.7 depth 7	7	5	6	M8 x 1.25
25	Up to 300	301 to 1500	12	10 (12)	1/8	12.5	10 (12.5)	M5 x 0.8	22	19.5	17	16.5	10	14	2	40	6	31	M5 x 0.8 depth 7.5	7.5	5.5	8	M10 x 1.25
32	Up to 300	301 to 1500	12	10 (12)	1/8	10.5	10 (10.5)	1/8	22	19.5	17	20	12	18	2	40	6	38	M5 x 0.8 depth 8	8	5.5	10	M10 x 1.25
40	Up to 300	301 to 1500	13	10 (13)	1/8	13	10 (10)	1/8	30	27	19	26	16	25	2	50	8	47	M6 x 1 depth 12	12	6	14	M14 x 1.5
50	Up to 300	301 to 1500	14	12 (14)	1/4	14	12 (14)	1/4	35	32	27	32	20	30	2	58	11	58	M8 x 1.25 depth 16	16	7	18	M18 x 1.5
63	Up to 300	301 to 1500	14	12 (14)	1/4	14	12 (14)	1/4	35	32	27	38	20	32	2	58	11	72	M10 x 1.5 depth 16	16	7	18	M18 x 1.5
80	Up to 300	301 to 1500	20	16 (20)	3/8	17.5	16 (17.5)	3/8	40	37	32	50	25	40	3	71	13	89	M12 x 1.5 depth 22	22	10	22	M22 x 1.5
100	Up to 300	301 to 1500	20	16 (20)	1/2	17.5	16 (17.5)	1/2	40	37	41	60	30	50	3	71	16	110	M12 x 1.75 depth 22	22	10	26	M26 x 1.5

Bore size	[mm]					[mm]					[mm]								
	NA	S	TA	TB	ZZ	Bore size	Rc, NPT, G			WA	WB	Wθ	WH	Bore size	TC	TD	TE	TF	TG
20	24	69 (77)	11	11	106 (114)	20	12	10 (12)	M5 x 0.8	16	15 (16)	25°	1.5	20	M5 x 0.8	8 ^{+0.08} ₀	4	0.5	5.5
25	29	69 (77)	11	11	111 (119)	25	12.5	10 (12.5)	M5 x 0.8	16	14.5 (16)	25°	1.5	25	M6 x 0.75	10 ^{+0.08} ₀	5	1	6.5
32	35.5	71 (79)	11	10 (11)	113 (121)	32	12	10 (12)	1/8	16	14 (16)	25°	1.5	32	M8 x 1.0	12 ^{+0.08} ₀	5.5	1	7.5
40	44	78 (87)	12	10 (12)	130 (139)	40	13	10 (13)	1/8	17	15 (17)	20°	1.5	40	M10 x 1.25	14 ^{+0.08} ₀	6	1.25	8.5
50	55	90 (102)	13	12 (13)	150 (162)	50	14	12 (14)	1/4	18	16 (18)	20°	3	50	M12 x 1.25	16 ^{+0.08} ₀	7.5	2	10
63	69	90 (102)	13	12 (13)	150 (162)	63	14	12 (14)	1/4	18	17 (18)	20°	3	63	M14 x 1.5	18 ^{+0.08} ₀	11.5	3	14.5
80	86	108 (122)	—	—	182 (196)	80	20	16 (20)	3/8	24	20 (24)	20°	4	80	—	—	—	—	—
100	106	108 (122)	—	—	182 (196)	100	20	16 (20)	1/2	24	20 (24)	20°	4	100	—	—	—	—	—

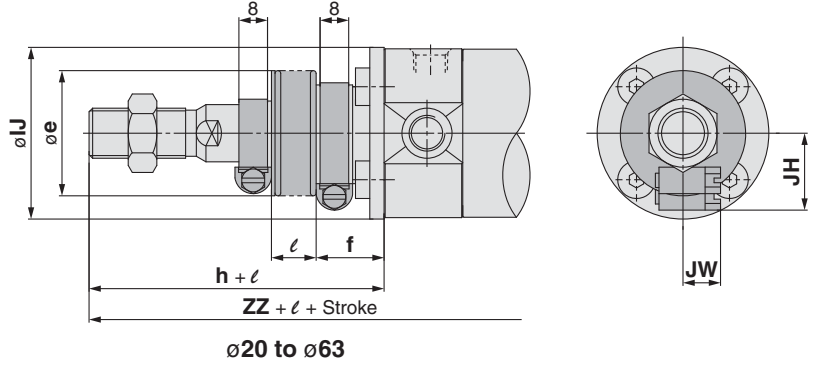
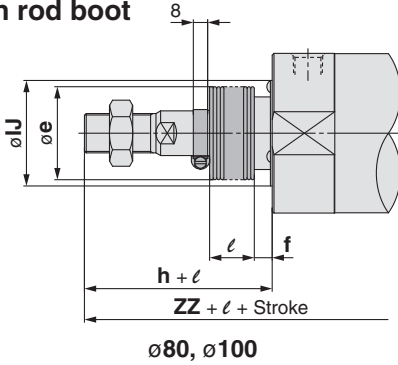
Note) (): Denotes the dimensions for long stroke.

* For details about applicable maximum stroke, contact SMC.

* Cylinder bore sizes ø80 and ø100 do not have trunnion mounting female thread on the width across flats NA.

Basic: CG1BN

With rod boot

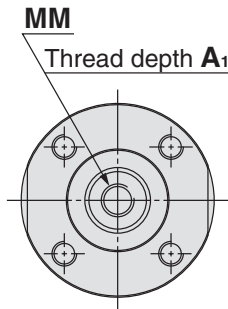
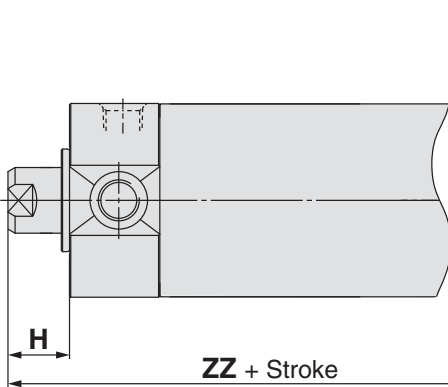


With Rod Boot

Bore size	e	f	h	lJ	JH (Reference)	JW (Reference)	ℓ	ZZ
20	30	18	55	27	15.5	10.5	1/4 stroke	126 (134)
25	30	19	62	32	16.5	10.5		133 (141)
32	35	19	62	38	18.5	10.5		135 (143)
40	35	19	70	48	21.5	10.5		150 (159)
50	40	19	78	59	24	10.5		170 (182)
63	40	20	78	72	24	10.5		170 (182)
80	52	10	80	59	—	—		191 (205)
100	62	7	80	71	—	—		191 (205)

* The minimum stroke with rod boot is 20 mm.

Female rod end



Female Rod End

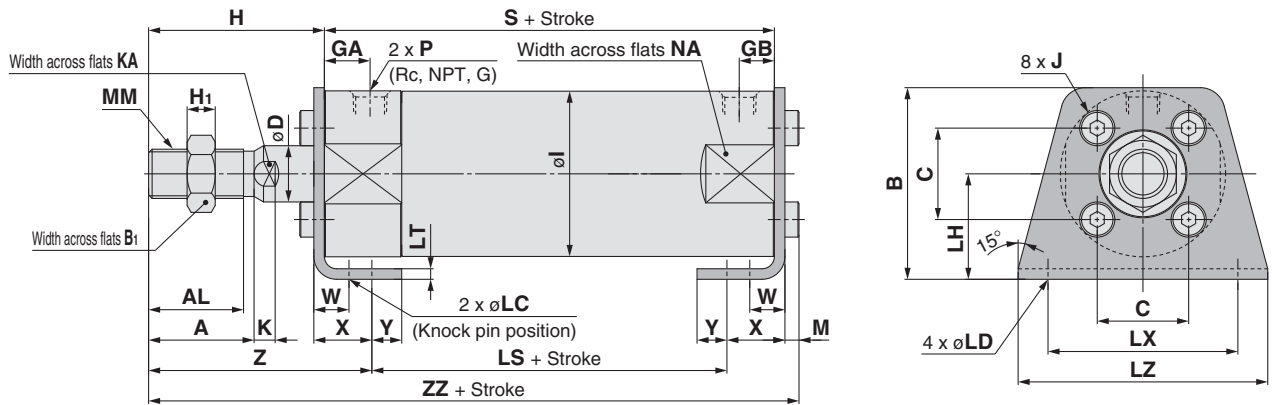
Bore size	A ₁	H	MM	ZZ
20	8	13	M4 x 0.7	84 (92)
25	8	14	M5 x 0.8	85 (93)
32	12	14	M6 x 1	87 (95)
40	13	15	M8 x 1.25	95 (104)
50	18	16	M10 x 1.5	108 (120)
63	18	16	M10 x 1.5	108 (120)
80	21	19	M14 x 1.5	130 (144)
100	25	22	M16 x 1.5	133 (147)

* When female thread is used, use a washer etc. to prevent the contact part at the rod end from being deformed depending on the material of the work piece.

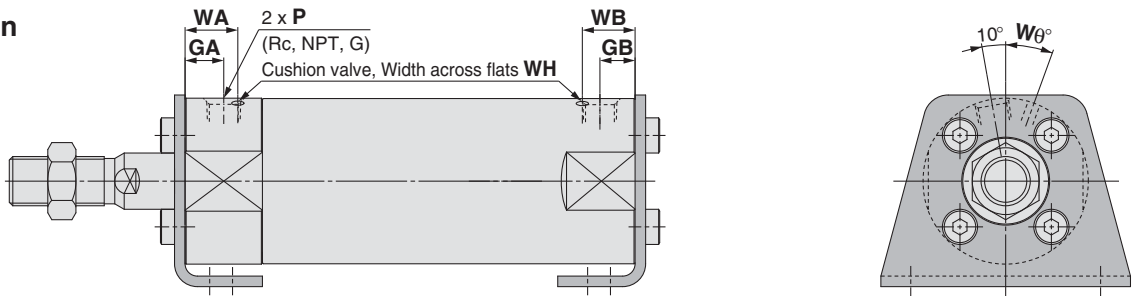
Double Acting, Single Rod	CG1
Standard	CG1W
Double Acting, Double Rod	CG1
Single Acting, Spring Return/Extend	CG1
Non-rotating Rod	CG1K
Double Acting, Double Rod	CG1KW
Direct Mount	CG1R
Double Acting, Single Rod	CG1
Auto Switch	CG1
Made to Order	CG1

Series CG1

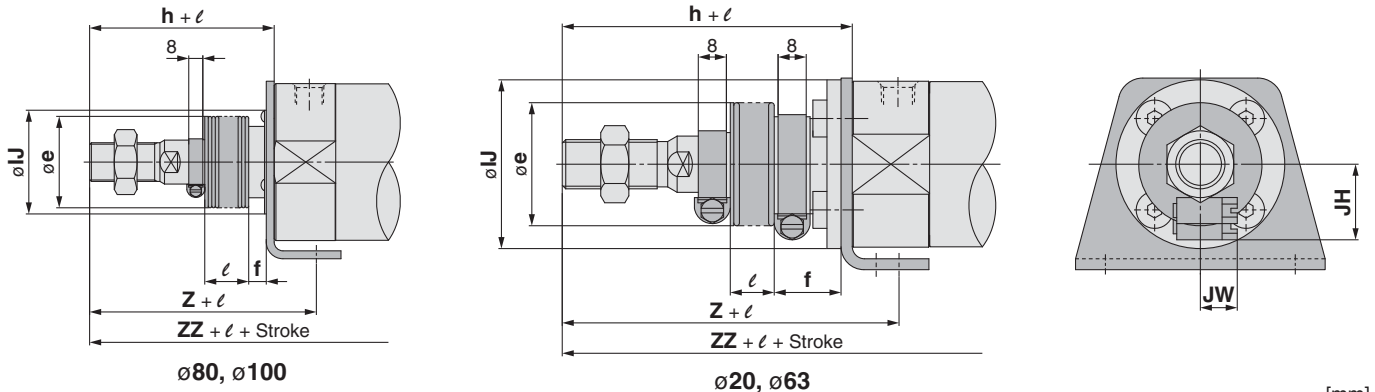
Axial Foot: CG1LN



With air cushion



With rod boot



Bore size	Stroke range		Rc, NPT port			G port			[mm]																				
	Standard	Long stroke	GA	GB	P	GA	GB	P	A	AL	B	B ₁	C	D	H	H ₁	I	J	K	KA	LC	LD	LH	LS	LT	LX	LZ	M	MM
20	Up to 200	201 to 1500	12	10 (12)	1/8	12	10 (12)	M5 x 0.8	18	15.5	34	13	14	8	35	5	26	M4 x 0.7	5	6	4	6	20	45 (53)	3	32	44	3	M8 x 1.25
25	Up to 300	301 to 1500	12	10 (12)	1/8	12.5	10 (12.5)	M5 x 0.8	22	19.5	38.5	17	16.5	10	40	6	31	M5 x 0.8	5.5	8	4	6	22	45 (53)	3	36	49	3.5	M10 x 1.25
32	Up to 300	301 to 1500	12	10 (12)	1/8	10.5	10 (10.5)	1/8	22	19.5	45	17	20	12	40	6	38	M5 x 0.8	5.5	10	4	7	25	45 (53)	3	44	58	3.5	M10 x 1.25
40	Up to 300	301 to 1500	13	10 (13)	1/8	13	10 (10)	1/8	30	27	54.5	19	26	16	50	8	47	M6 x 1	6	14	4	7	30	51 (60)	3	54	71	4	M14 x 1.5
50	Up to 300	301 to 1500	14	12 (14)	1/4	14	12 (14)	1/4	35	32	70.5	27	32	20	58	11	58	M8 x 1.25	7	18	5	10	40	55 (67)	4.5	66	86	5	M18 x 1.5
63	Up to 300	301 to 1500	14	12 (14)	1/4	14	12 (14)	1/4	35	32	82.5	27	38	20	58	11	72	M10 x 1.5	7	18	5	12	45	55 (67)	4.5	82	106	5	M18 x 1.5
80	Up to 300	301 to 1500	20	16 (20)	3/8	17.5	16 (17.5)	3/8	40	37	101	32	50	25	71	13	89	M10 x 1.5	10	22	6	11	55	60 (74)	4.5	100	125	5	M22 x 1.5
100	Up to 300	301 to 1500	20	16 (20)	1/2	17.5	16 (17.5)	1/2	40	37	121	41	60	30	71	16	110	M12 x 1.75	10	26	6	14	65	60 (74)	6	120	150	7	M26 x 1.5

Bore size	[mm] With Air Cushion							[mm] With Rod Boot				[mm] With Rod Boot												
	NA	S	W	X	Y	Z	ZZ	Bore size	Rc, NPT, G			Wθ	WH	Bore size	e	f	h	IJ	JH	JW	ℓ	Z	ZZ	
GA	GB	P	WA	WB	Bore size	Reference	Reference																	
20	24	69 (77)	10	15	7	47	110 (118)	20	12	10 (12)	M5 x 0.8	16	15 (16)	25°	1.5	20	30	18	55	27	15.5	10.5	67	130 (138)
25	29	69 (77)	10	15	7	52	115.5 (123.5)	25	12.5	10 (12.5)	M5 x 0.8	16	14.5 (16)	25°	1.5	25	30	19	62	32	16.5	10.5	74	137.5 (145.5)
32	35.5	71 (79)	10	16	8	53	117.5 (125.5)	32	12	10 (12)	1/8	16	14 (16)	25°	1.5	32	35	19	62	38	18.5	10.5	75	139.5 (147.5)
40	44	78 (87)	10	16.5	8.5	63.5	135 (144)	40	13	10 (13)	1/8	17	15 (17)	20°	1.5	40	35	19	70	48	21.5	10.5	83.5	155 (164)
50	55	90 (102)	17.5	22	11	75.5	157.5 (169.5)	50	14	12 (14)	1/4	18	16 (18)	20°	3	50	40	19	78	59	24	10.5	95.5	177.5 (189.5)
63	69	90 (102)	17.5	22	13	75.5	157.5 (169.5)	63	14	12 (14)	1/4	18	17 (18)	20°	3	63	40	20	78	72	24	10.5	95.5	177.5 (189.5)
80	86	108 (122)	20	28.5	14	95	188.5 (202.5)	80	20	16 (20)	3/8	24	20 (24)	20°	4	80	52	10	80	59	—	—	104	197.5 (211.5)
100	106	108 (122)	20	30	16	95	192 (206)	100	20	16 (20)	1/2	24	20 (24)	20°	4	100	62	7	80	71	—	—	104	201 (215)

* For female rod end, since the wrench flap (K and KA portions) will be inside of the bracket when the piston rod is retracted at the stroke end, extend the piston rod to tighten the nut using a tool, and mount a work piece on the rod end.

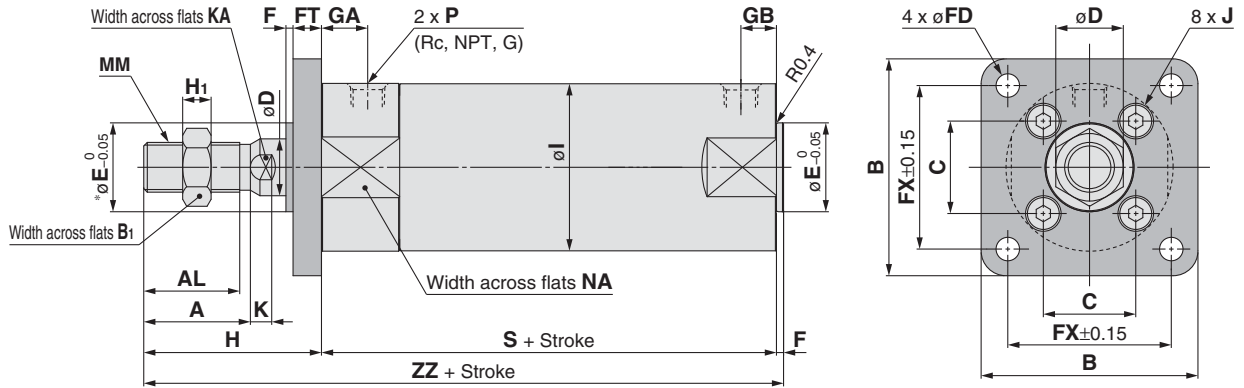
* Refer to the basic type for the female rod end.

Note) (): Denotes the dimensions for long stroke.

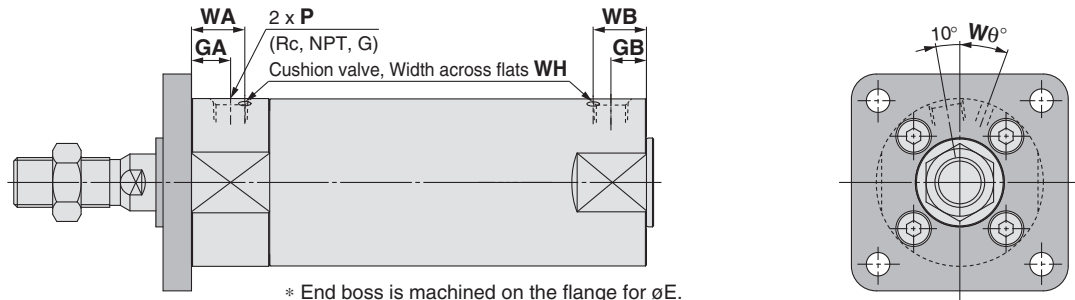
* For details about applicable maximum stroke, contact SMC.

* The minimum stroke with rod boot is 20 mm.

Rod Flange: CG1FN

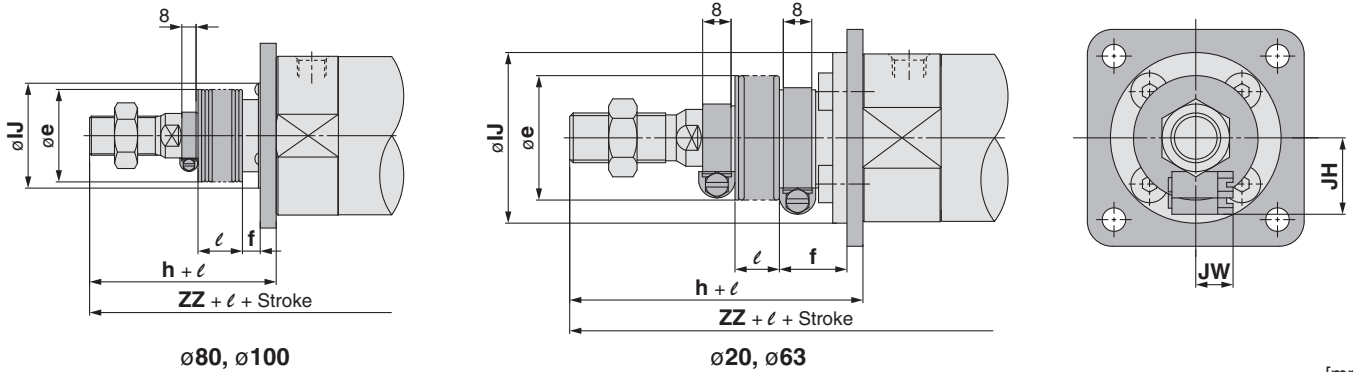


With air cushion



* End boss is machined on the flange for øE.

With rod boot



Bore size	Stroke range		Rc, NPT port			G port			[mm]															
	Standard	Long stroke	GA	GB	P	GA	GB	P	A	AL	B	B ₁	C	D	E	F	FD	FT	FX	H	H ₁	I	J	K
20	Up to 200	201 to 1500	12	10 (12)	1/8	12	10 (12)	M5 x 0.8	18	15.5	40	13	14	8	12	2	5.5	6	28	35	5	26	M4 x 0.7	5
25	Up to 300	301 to 1500	12	10 (12)	1/8	12.5	10 (12.5)	M5 x 0.8	22	19.5	44	17	16.5	10	14	2	5.5	7	32	40	6	31	M5 x 0.8	5.5
32	Up to 300	301 to 1500	12	10 (12)	1/8	10.5	10 (10.5)	1/8	22	19.5	53	17	20	12	18	2	6.6	7	38	40	6	38	M5 x 0.8	5.5
40	Up to 300	301 to 1500	13	10 (13)	1/8	13	10 (10)	1/8	30	27	61	19	26	16	25	2	6.6	8	46	50	8	47	M6 x 1	6
50	Up to 300	301 to 1500	14	12 (14)	1/4	14	12 (14)	1/4	35	32	76	27	32	20	30	2	9	9	58	58	11	58	M8 x 1.25	7
63	Up to 300	301 to 1500	14	12 (14)	1/4	14	12 (14)	1/4	35	32	92	27	38	20	32	2	11	9	70	58	11	72	M10 x 1.5	7
80	Up to 300	301 to 1500	20	16 (20)	3/8	17.5	16 (17.5)	3/8	40	37	104	32	50	25	40	3	11	11	82	71	13	89	M10 x 1.5	10
100	Up to 300	301 to 1500	20	16 (20)	1/2	17.5	16 (17.5)	1/2	40	37	128	41	60	30	50	3	14	14	100	71	16	110	M12 x 1.75	10

Bore size	[mm] With Air Cushion					[mm] With Rod Boot				[mm] With Rod Boot												
	KA	MM	NA	S	ZZ	Bore size	Rc, NPT, G			WA	WB	Wθ	WH	Bore size	e	f	h	IJ	JH (Reference)	JW (Reference)	l	ZZ
20	6	M8 x 1.25	24	69 (77)	106 (114)	20	GA	GB	P	16	15 (16)	25°	1.5	20	30	18	55	27	15.5	10.5	1/4 stroke	126 (134)
25	8	M10 x 1.25	29	69 (77)	111 (119)	25	12.5	10 (12.5)	M5 x 0.8	16	14.5 (16)	25°	1.5	25	30	19	62	32	16.5	10.5		133 (141)
32	10	M10 x 1.25	35.5	71 (79)	113 (121)	32	12	10 (12)	1/8	16	14 (16)	25°	1.5	32	35	19	62	38	18.5	10.5		135 (143)
40	14	M14 x 1.5	44	78 (87)	130 (139)	40	13	10 (13)	1/8	17	15 (17)	20°	1.5	40	35	19	70	48	21.5	10.5		150 (159)
50	18	M18 x 1.5	55	90 (102)	150 (162)	50	14	12 (14)	1/4	18	16 (18)	20°	3	50	40	19	78	59	24	10.5		170 (182)
63	18	M18 x 1.5	69	90 (102)	150 (162)	63	14	12 (14)	1/4	18	17 (18)	20°	3	63	40	20	78	72	24	10.5		170 (182)
80	22	M22 x 1.5	86	108 (122)	182 (196)	80	20	16 (20)	3/8	24	20 (24)	20°	4	80	52	10	80	59	—	—		191 (205)
100	26	M26 x 1.5	106	108 (122)	182 (196)	100	20	16 (20)	1/2	24	20 (24)	20°	4	100	62	7	80	71	—	—		191 (205)

* For female rod end, since the wrench flap (K and KA portions) will be inside of the bracket when the piston rod is retracted at the stroke end, extend the piston rod to tighten the nut using a tool, and mount a work piece on the rod end.

* Refer to the basic type for the female rod end.

Note) () : Denotes the dimensions for long stroke.

* For details about applicable maximum stroke, contact SMC.

* The minimum stroke with rod boot is 20 mm.

Double Acting, Single Rod **CG1**

Standard Double Acting, Double Rod **CG1W**

Single Acting, Spring Return/Extend **CG1**

Non-rotating Rod Double Acting, Single Rod **CG1K**

Double Acting, Double Rod **CG1KW**

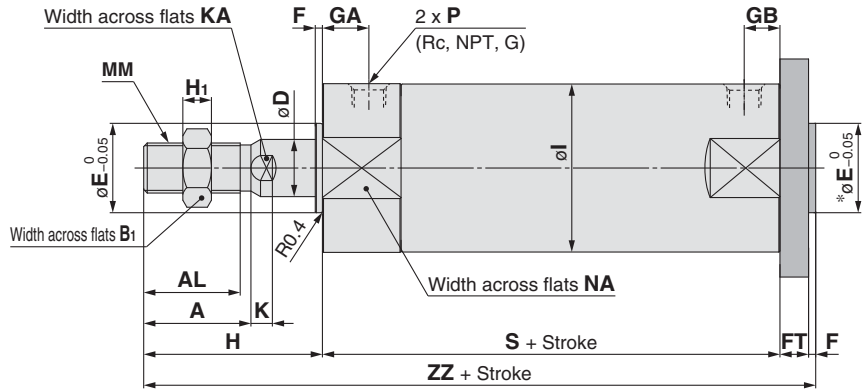
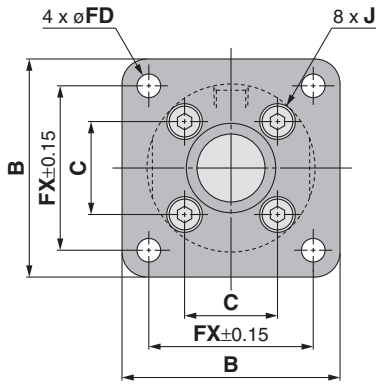
Direct Mount Double Acting, Single Rod **CG1R**

Auto Switch

Made to Order

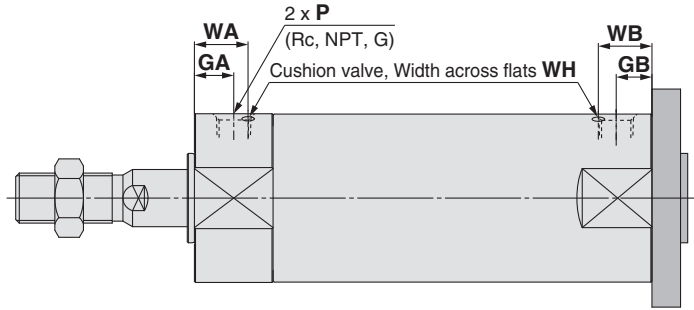
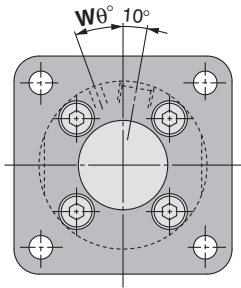
Series CG1

Head Flange: CG1GN

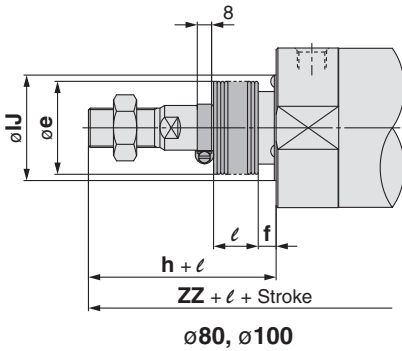


* End boss is machined on the flange for øE.

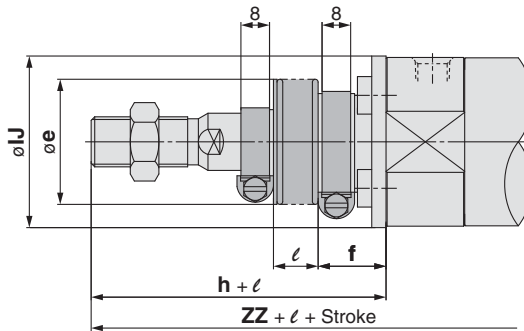
With air cushion



With rod boot



ø80, ø100



ø20, ø63

Bore size	Stroke range		Rc, NPT port			G port			A	AL	B	B ₁	C	D	E	F	FD	FT	FX	H	H ₁	I	J	K
	Standard	Long stroke	GA	GB	P	GA	GB	P																
20	Up to 200	201 to 1500	12	10 (12)	1/8	12	10 (12)	M5 x 0.8	18	15.5	40	13	14	8	12	2	5.5	6	28	35	5	26	M4 x 0.7	5
25	Up to 300	301 to 1500	12	10 (12)	1/8	12.5	10 (12.5)	M5 x 0.8	22	19.5	44	17	16.5	10	14	2	5.5	7	32	40	6	31	M5 x 0.8	5.5
32	Up to 300	301 to 1500	12	10 (12)	1/8	10.5	10 (10.5)	1/8	22	19.5	53	17	20	12	18	2	6.6	7	38	40	6	38	M5 x 0.8	5.5
40	Up to 300	301 to 1500	13	10 (13)	1/8	13	10 (10)	1/8	30	27	61	19	26	16	25	2	6.6	8	46	50	8	47	M6 x 1	6
50	Up to 300	301 to 1500	14	12 (14)	1/4	14	12 (14)	1/4	35	32	76	27	32	20	30	2	9	9	58	58	11	58	M8 x 1.25	7
63	Up to 300	301 to 1500	14	12 (14)	1/4	14	12 (14)	1/4	35	32	92	27	38	20	32	2	11	9	70	58	11	72	M10 x 1.5	7
80	Up to 300	301 to 1500	20	16 (20)	3/8	17.5	16 (17.5)	3/8	40	37	104	32	50	25	40	3	11	11	82	71	13	89	M10 x 1.5	10
100	Up to 300	301 to 1500	20	16 (20)	1/2	17.5	16 (17.5)	1/2	40	37	128	41	60	30	50	3	14	14	100	71	16	110	M12 x 1.75	10

[mm]

Bore size	[mm]					Bore size	[mm]				[mm]											
	KA	MM	NA	S	ZZ		Rc, NPT, G			WA	WB	Wθ	WH	Bore size	e	f	h	IJ	JH (Reference)	JW (Reference)	ℓ	ZZ
20	6	M8 x 1.25	24	69 (77)	112 (120)	20	12	10 (12)	M5 x 0.8	16	15 (16)	25°	1.5	20	30	18	55	27	15.5	10.5	1/4 stroke	132 (140)
25	8	M10 x 1.25	29	69 (77)	118 (126)	25	12.5	10 (12.5)	M5 x 0.8	16	14.5 (16)	25°	1.5	25	30	19	62	32	16.5	10.5		140 (148)
32	10	M10 x 1.25	35.5	71 (79)	120 (128)	32	12	10 (12)	1/8	16	14 (16)	25°	1.5	32	35	19	62	38	18.5	10.5		142 (150)
40	14	M14 x 1.5	44	78 (87)	138 (147)	40	13	10 (13)	1/8	17	15 (17)	20°	1.5	40	35	19	70	48	21.5	10.5		158 (167)
50	18	M18 x 1.5	55	90 (102)	159 (171)	50	14	12 (14)	1/4	18	16 (18)	20°	3	50	40	19	78	59	24	10.5		179 (191)
63	18	M18 x 1.5	69	90 (102)	159 (171)	63	14	12 (14)	1/4	18	17 (18)	20°	3	63	40	20	78	72	24	10.5		179 (191)
80	22	M22 x 1.5	86	108 (122)	193 (207)	80	20	16 (20)	3/8	24	20 (24)	20°	4	80	52	10	80	59	—	—		202 (216)
100	26	M26 x 1.5	106	108 (122)	196 (210)	100	20	16 (20)	1/2	24	20 (24)	20°	4	100	62	7	80	71	—	—	205 (219)	

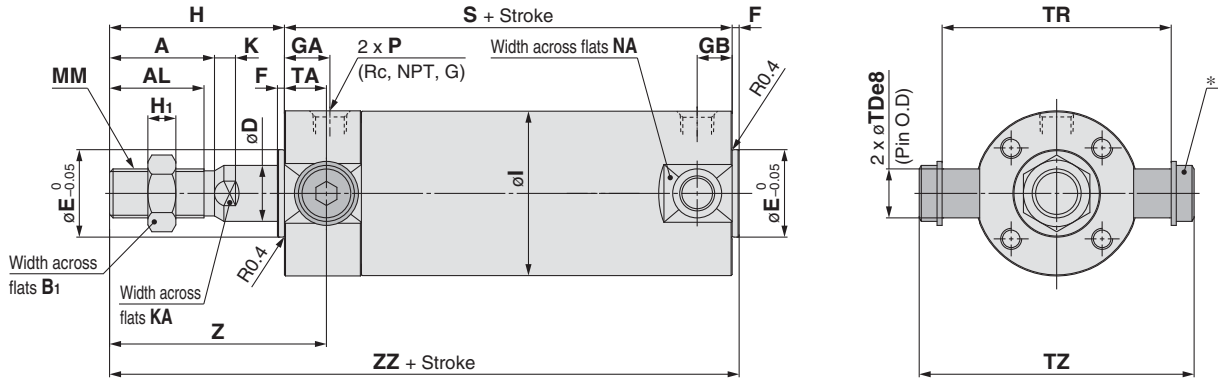
* Refer to the basic type for the female rod end.

Note) () : Denotes the dimensions for long stroke.

* For details about applicable maximum stroke, contact SMC.

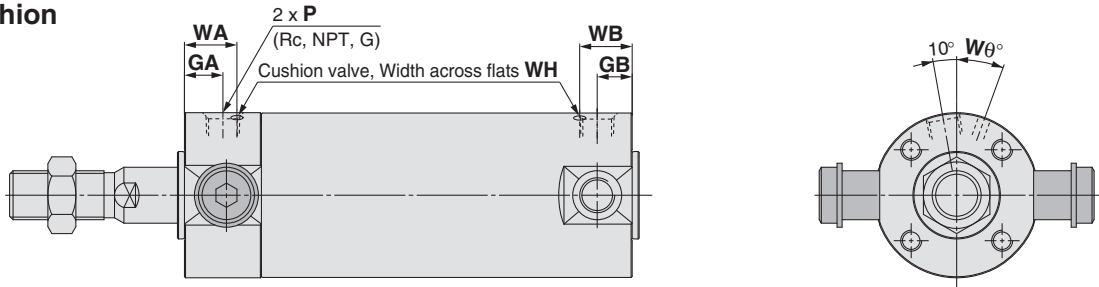
* The minimum stroke with rod boot is 20 mm.

Rod Trunnion: CG1UN

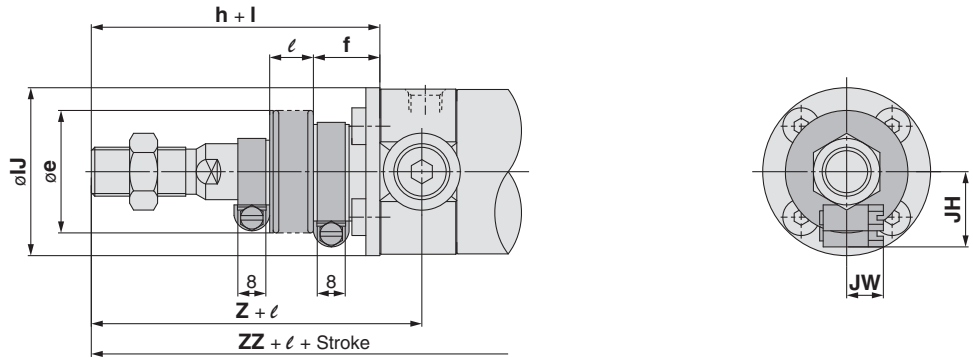


* Constructed of a trunnion pin, flat washer and hexagon socket head cap bolt.

With air cushion



With rod boot



Bore size	Stroke range		Rc, NPT port			G port			A	AL	B ₁	D	E	F	H	H ₁	I	K	KA	MM	NA	S
	Standard	Long stroke	GA	GB	P	GA	GB	P														
20	Up to 200	201 to 1500	12	10 (12)	1/8	12	10 (12)	M5 x 0.8	18	15.5	13	8	12	2	35	5	26	5	6	M8 x 1.25	24	69 (77)
25	Up to 300	301 to 1500	12	10 (12)	1/8	12.5	10 (12.5)	M5 x 0.8	22	19.5	17	10	14	2	40	6	31	5.5	8	M10 x 1.25	29	69 (77)
32	Up to 300	301 to 1500	12	10 (12)	1/8	10.5	10 (10.5)	1/8	22	19.5	17	12	18	2	40	6	38	5.5	10	M10 x 1.25	35.5	71 (79)
40	Up to 300	301 to 1500	13	10 (13)	1/8	13	10 (10)	1/8	30	27	19	16	25	2	50	8	47	6	14	M14 x 1.5	44	78 (87)
50	Up to 300	301 to 1500	14	12 (14)	1/4	14	12 (14)	1/4	35	32	27	20	30	2	58	11	58	7	18	M18 x 1.5	55	90 (102)
63	Up to 300	301 to 1500	14	12 (14)	1/4	14	12 (14)	1/4	35	32	27	20	32	2	58	11	72	7	18	M18 x 1.5	69	90 (102)

Bore size	[mm] With Air Cushion						[mm] With Rod Boot				[mm] With Rod Boot													
	TA	TDe8	TR	TZ	Z	ZZ	Bore size	Rc, NPT, G		WA	WB	Wθ	WH	Bore size	e	f	h	IJ	JH	JW	l	Z	ZZ	
20	11	8 ^{-0.025} _{-0.047}	39	47.6	46	106 (114)	20	12	10 (12)	M5 x 0.8	16	15 (16)	25°	1.5	20	30	18	55	27	15.5	10.5	1/4 stroke	66	126 (134)
25	11	10 ^{-0.025} _{-0.047}	43	53	51	111 (119)	25	12.5	10 (12.5)	M5 x 0.8	16	14.5 (16)	25°	1.5	25	30	19	62	32	16.5	10.5		73	133 (141)
32	11	12 ^{-0.032} _{-0.059}	54.5	67.7	51	113 (121)	32	12	10 (12)	1/8	16	14 (16)	25°	1.5	32	35	19	62	38	18.5	10.5		73	135 (143)
40	12	14 ^{-0.032} _{-0.059}	65.5	78.7	62	130 (139)	40	13	10 (13)	1/8	17	15 (17)	20°	1.5	40	35	19	70	48	21.5	10.5		82	150 (159)
50	13	16 ^{-0.032} _{-0.059}	80	98.6	71	150 (162)	50	14	12 (14)	1/4	18	16 (18)	20°	3	50	40	19	78	59	24	10.5		91	170 (182)
63	13	18 ^{-0.032} _{-0.059}	98	119.2	71	150 (162)	63	14	12 (14)	1/4	18	17 (18)	20°	3	63	40	20	78	72	24	10.5		91	170 (182)

* Refer to the basic type for the female rod end.
Note) (): Denotes the dimensions for long stroke.
* For details about applicable maximum stroke, contact SMC.

* The minimum stroke with rod boot is 20 mm.

Double Acting, Single Rod **CG1**

Standard Double Acting, Double Rod **CG1W**

Single Acting, Spring Return/Extend **CG1**

Non-rotating Rod Double Acting, Single Rod **CG1K**

Double Acting, Double Rod **CG1KW**

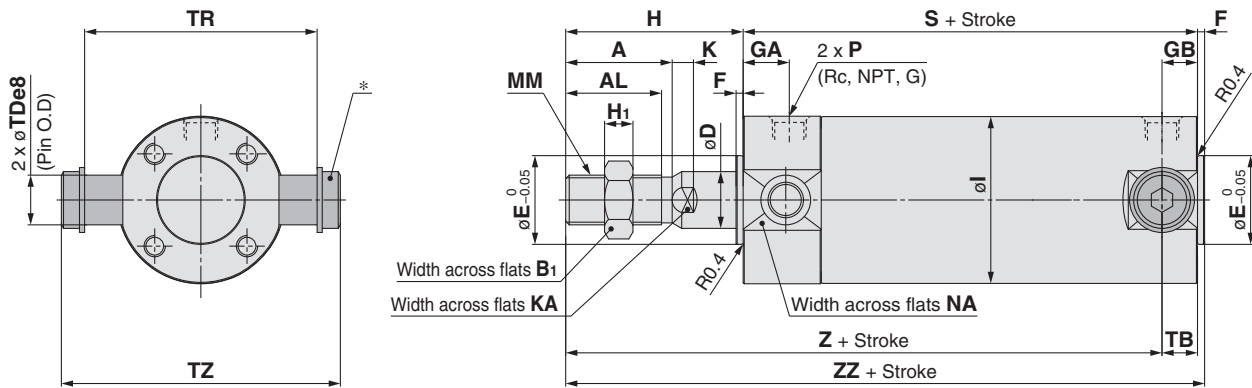
Direct Mount Double Acting, Single Rod **CG1R**

Auto Switch

Made to Order

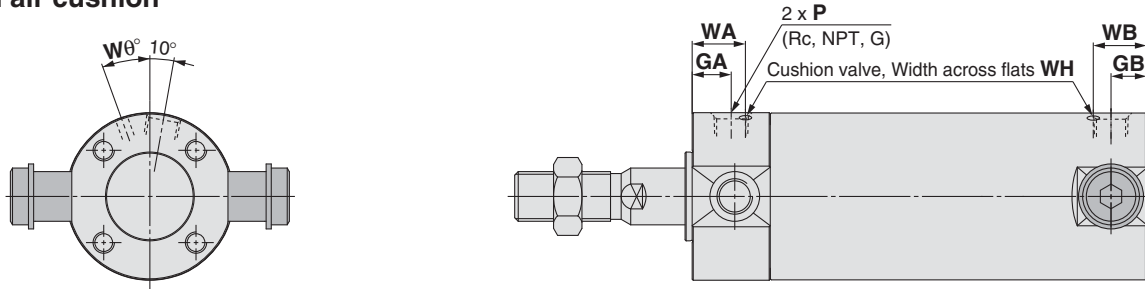
Series CG1

Head Trunnion: CG1TN

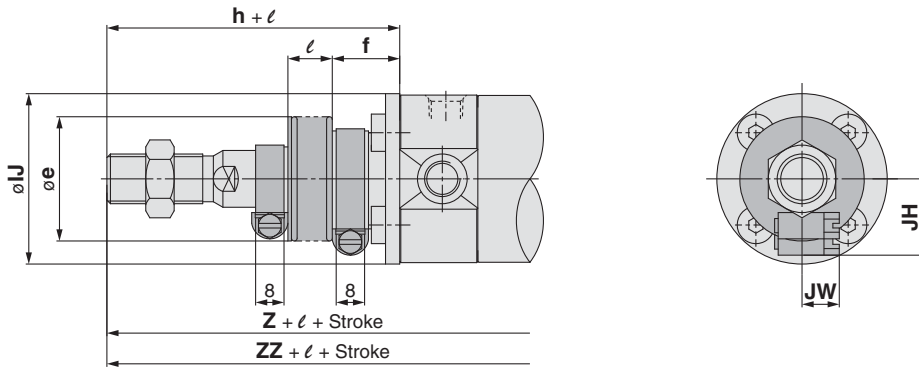


* Constructed of a trunnion pin, flat washer and hexagon socket head cap bolt.

With air cushion



With rod boot



[mm]

Bore size	Stroke range		Rc, NPT port			G port			A	AL	B ₁	D	E	F	H	H ₁	I	K	KA	MM	NA	S
	Standard	Long stroke	GA	GB	P	GA	GB	P														
20	Up to 200	201 to 1500	12	10 (12)	1/8	12	10 (12)	M5 x 0.8	18	15.5	13	8	12	2	35	5	26	5	6	M8 x 1.25	24	69 (77)
25	Up to 300	301 to 1500	12	10 (12)	1/8	12.5	10 (12.5)	M5 x 0.8	22	19.5	17	10	14	2	40	6	31	5.5	8	M10 x 1.25	29	69 (77)
32	Up to 300	301 to 1500	12	10 (12)	1/8	10.5	10 (10.5)	1/8	22	19.5	17	12	18	2	40	6	38	5.5	10	M10 x 1.25	35.5	71 (79)
40	Up to 300	301 to 1500	13	10 (13)	1/8	13	10 (10)	1/8	30	27	19	16	25	2	50	8	47	6	14	M14 x 1.5	44	78 (87)
50	Up to 300	301 to 1500	14	12 (14)	1/4	14	12 (14)	1/4	35	32	27	20	30	2	58	11	58	7	18	M18 x 1.5	55	90 (102)
63	Up to 300	301 to 1500	14	12 (14)	1/4	14	12 (14)	1/4	35	32	27	20	32	2	58	11	72	7	18	M18 x 1.5	69	90 (102)

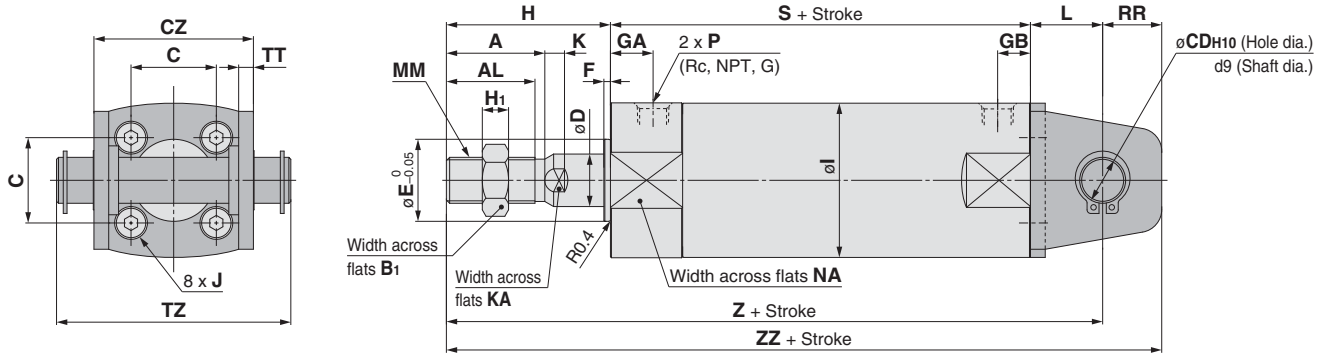
Bore size	[mm]						With Air Cushion				[mm]				With Rod Boot				[mm]				
	TB	TDe8	TR	TZ	Z	ZZ	Bore size	Rc, NPT, G		WA	WB	Wθ	WH	Bore size	e	f	h	IJ	JH	JW	l	Z	ZZ
GA	GB	P	Reference	Reference																			
20	11	8 ^{-0.025} _{-0.047}	39	47.6	93 (101)	106 (114)	20	12	10 (12)	M5 x 0.8	16	15 (16)	25°	1.5	20	30	18	55	27	15.5	10.5	113 (121)	126 (134)
25	11	10 ^{-0.025} _{-0.047}	43	53	98 (106)	111 (119)	25	12.5	10 (12.5)	M5 x 0.8	16	14.5 (16)	25°	1.5	25	30	19	62	32	16.5	10.5	120 (128)	133 (141)
32	10 (11)	12 ^{-0.032} _{-0.059}	54.5	67.7	101 (108)	113 (121)	32	12	10 (12)	1/8	16	14 (16)	25°	1.5	32	35	19	62	38	18.5	10.5	123 (130)	135 (143)
40	10 (12)	14 ^{-0.032} _{-0.059}	65.5	78.7	118 (125)	130 (139)	40	13	10 (13)	1/8	17	15 (17)	20°	1.5	40	35	19	70	48	21.5	10.5	138 (145)	150 (159)
50	12 (13)	16 ^{-0.032} _{-0.059}	80	98.6	136 (147)	150 (162)	50	14	12 (14)	1/4	18	16 (18)	20°	3	50	40	19	78	59	24	10.5	156 (167)	170 (182)
63	12 (13)	18 ^{-0.032} _{-0.059}	98	119.2	136 (147)	150 (162)	63	14	12 (14)	1/4	18	17 (18)	20°	3	63	40	20	78	72	24	10.5	156 (167)	170 (182)

* Refer to the basic type for the female rod end.
Note) (): Denotes the dimensions for long stroke.

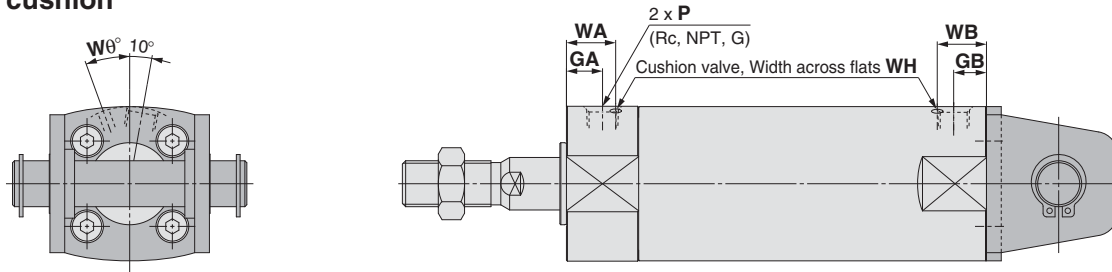
* For details about applicable maximum stroke, contact SMC.

* The minimum stroke with rod boot is 20 mm.

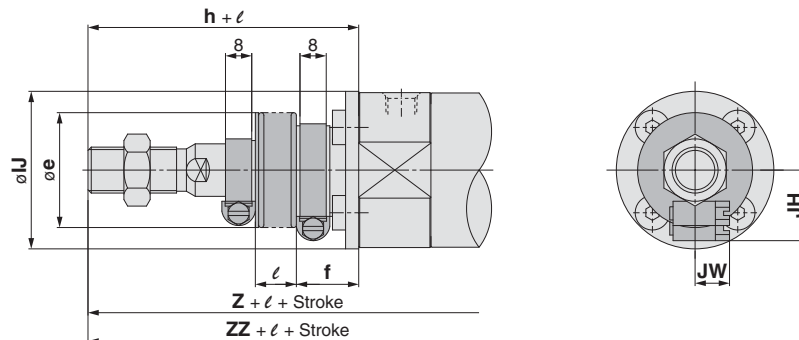
Clevis: CG1DN (ø20 to ø63)



With air cushion



With rod boot



Bore size	Stroke range		Rc, NPT port			G port			A	AL	B ₁	C	CD	CZ	D	E	F	H	H ₁	I	J	K	KA	L	MM	NA
	Standard	Long stroke	GA	GB	P	GA	GB	P																		
20	Up to 200	201 to 1500	12	10 (12)	1/8	12	10 (12)	M5 x 0.8	18	15.5	13	14	8	29	8	12	2	35	5	26	M4 x 0.7	5	6	14	M8 x 1.25	24
25	Up to 300	301 to 1500	12	10 (12)	1/8	12.5	10 (12.5)	M5 x 0.8	22	19.5	17	16.5	10	33	10	14	2	40	6	31	M5 x 0.8	5.5	8	16	M10 x 1.25	29
32	Up to 300	301 to 1500	12	10 (12)	1/8	10.5	10 (10.5)	1/8	22	19.5	17	20	12	40	12	18	2	40	6	38	M5 x 0.8	5.5	10	20	M10 x 1.25	35.5
40	Up to 300	301 to 1500	13	10 (13)	1/8	13	10 (10)	1/8	30	27	19	26	14	49	16	25	2	50	8	47	M6 x 1	6	14	22	M14 x 1.5	44
50	Up to 300	301 to 1500	14	12 (14)	1/4	14	12 (14)	1/4	35	32	27	32	16	60	20	30	2	58	11	58	M8 x 1.25	7	18	25	M18 x 1.5	55
63	Up to 300	301 to 1500	14	12 (14)	1/4	14	12 (14)	1/4	35	32	27	38	18	74	20	32	2	58	11	72	M10 x 1.5	7	18	30	M18 x 1.5	69

Bore size	RR	S	TT	TZ	Z	ZZ	Applicable pin part no.	With Air Cushion				With Rod Boot											
								GA	GB	P	WA	WB	Wθ	WH	Bore size	e	f	h	IJ	JH Reference	JW Reference	l	Z
20	11	69 (77)	3.2	43.4	118 (126)	129 (137)	CD-G02	12	10 (12)	M5 x 0.8	16	15 (16)	25°	1.5	20	30	18	55	27	15.5	10.5	138 (146)	149 (157)
25	13	69 (77)	3.2	48	125 (133)	138 (146)	CD-G25	12.5	10 (12.5)	M5 x 0.8	16	14.5 (16)	25°	1.5	25	30	19	62	32	16.5	10.5	147 (155)	160 (168)
32	15	71 (79)	4.5	59.4	131 (139)	146 (154)	CD-G03	12	10 (12)	1/8	16	14 (16)	25°	1.5	32	35	19	62	38	18.5	10.5	153 (161)	168 (176)
40	18	78 (87)	4.5	71.4	150 (159)	168 (177)	CD-G04	13	10 (13)	1/8	17	15 (17)	20°	1.5	40	35	19	70	48	21.5	10.5	170 (179)	188 (197)
50	20	90 (102)	6	86	173 (185)	193 (205)	CD-G05	14	12 (14)	1/4	18	16 (18)	20°	3	50	40	19	78	59	24	10.5	193 (205)	213 (225)
63	22	90 (102)	8	105.4	178 (190)	200 (212)	CD-G06	14	12 (14)	1/4	18	17 (18)	20°	3	63	40	20	78	72	24	10.5	198 (210)	220 (232)

* A clevis pin, retaining rings and mounting bolts are included. Refer to the basic type for the female rod end. * The minimum stroke with rod boot is 20 mm.
Note) () : Denotes the dimensions for long stroke.
* For details about applicable maximum stroke, contact SMC.

Double Acting, Single Rod
CG1

Standard
Double Acting, Double Rod
CG1W

Single Acting, Spring Return/Extend
CG1

Non-rotating Rod
Double Acting, Single Rod
CG1K

Double Acting, Double Rod
CG1KW

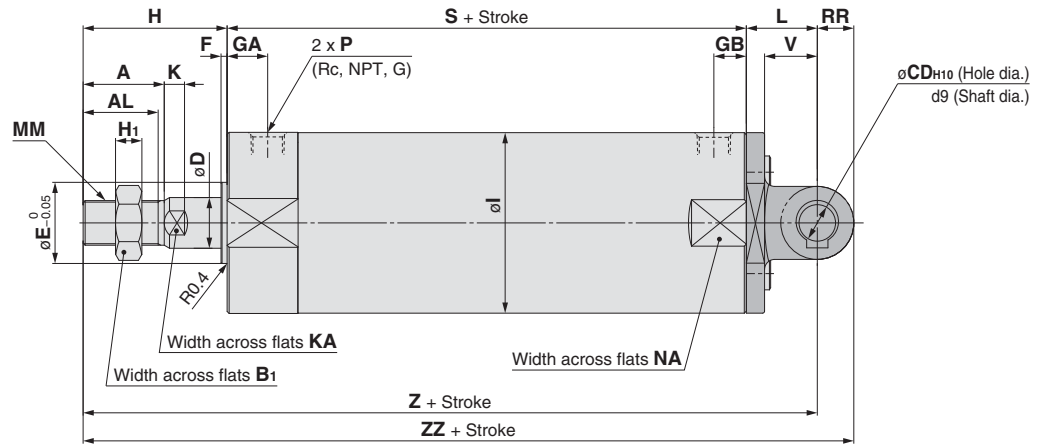
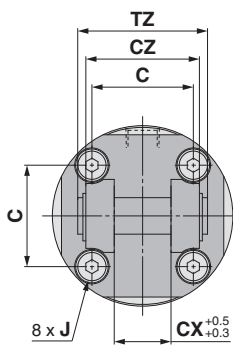
Direct Mount
Double Acting, Single Rod
CG1R

Auto Switch

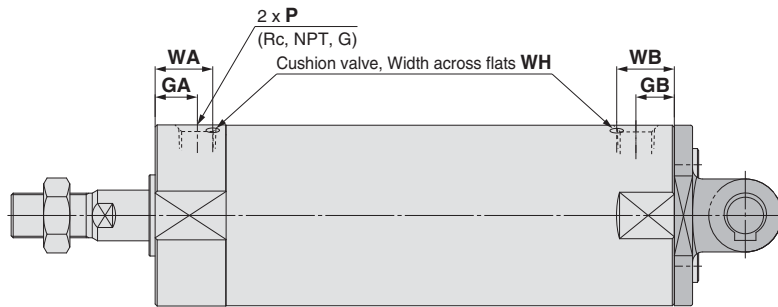
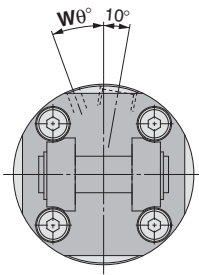
Made to Order

Series CG1

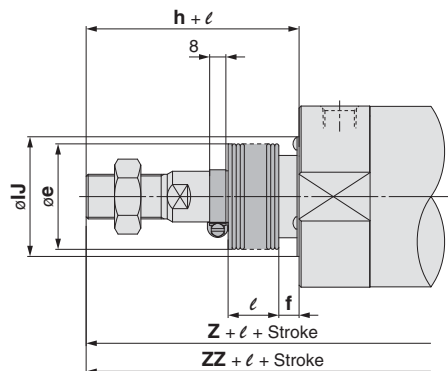
Clevis: CG1DN (ø80, ø100)



With air cushion



With rod boot



Bore size	Stroke range		Rc, NPT port			G port			A	AL	B ₁	C	CD	CX	CZ	D	E	F	H	H ₁	I	J	K	KA	L	MM	NA
	Standard	Long stroke	GA	GB	P	GA	GB	P																			
80	Up to 300	301 to 1500	20	16 (20)	3/8	17.5	16 (17.5)	3/8	40	37	32	50	18	28	56	25	40	3	71	13	89	M10 x 1.5	10	22	35	M22 x 1.5	86
100	Up to 300	301 to 1500	20	16 (20)	1/2	17.5	16 (17.5)	1/2	40	37	41	60	22	32	64	30	50	3	71	16	110	M12 x 1.75	10	26	43	M26 x 1.5	106

Bore size	[mm]							Applicable pin part no.	[mm]				[mm]							
	RR	S	TZ	V	Z	ZZ	With Air Cushion		Rc, NPT, G			With Rod Boot	Bore size							
Bore size	GA	GB	P	WA	WB	Wθ	WH	Bore size	e	f	h	IJ	ℓ	Z	ZZ					
80	18	108 (122)	64	26	214 (228)	232 (246)	IY-G08	80	20	16 (20)	3/8	24	20 (24)	20°	4	80	59	1/4 stroke	223 (237)	241 (255)
100	22	108 (122)	72	32	222 (236)	244 (258)	IY-G10	100	20	16 (20)	1/2	24	20 (24)	20°	4	80	71		231 (245)	253 (267)

* Refer to the basic type for the female rod end.

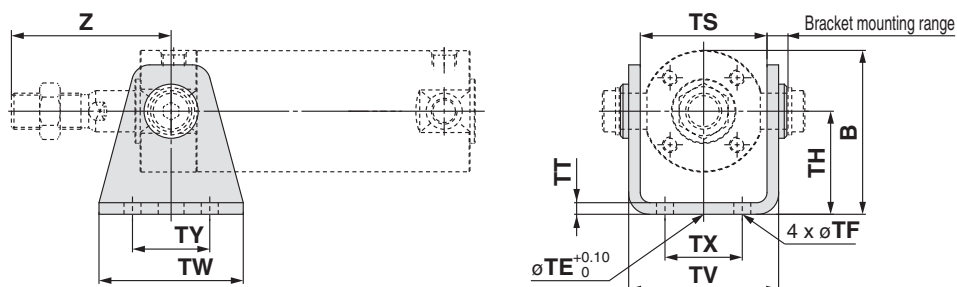
Note) (): Denotes the dimensions for long stroke.

* For details about applicable maximum stroke, contact SMC.

* The minimum stroke with rod boot is 20 mm.

With Pivot Bracket (): Denotes the dimensions for long stroke.]

**Rod Trunnion (U)
with Pivot Bracket**



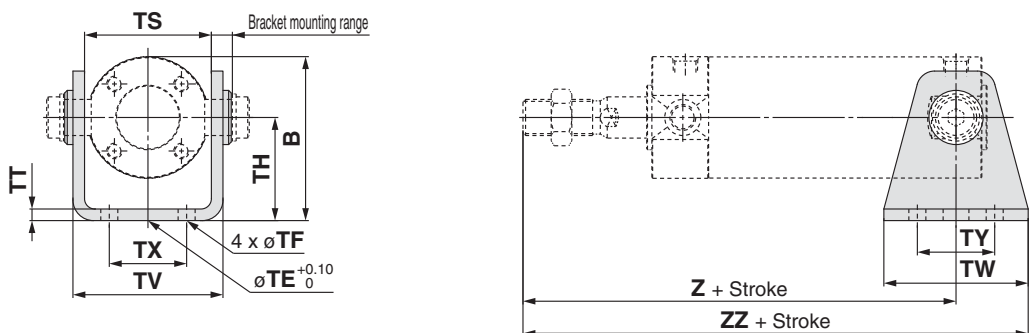
Male Thread

Bore size	B	TE	TF	TH	TS	TT	TV	TW	TX	TY	Z
20	38	10	5.5	25	28	3.2	35.8	42	16	28	46
25	45.5	10	5.5	30	33	3.2	39.8	42	20	28	51
32	54	10	6.6	35	40	4.5	49.4	48	22	28	51
40	63.5	10	6.6	40	49	4.5	58.4	56	30	30	62
50	79	20	9	50	60	6	72.4	64	36	36	71
63	96	20	11	60	74	8	90.4	74	46	46	71

Female Thread [mm]

Bore size	Z
20	24
25	25
32	25
40	27
50	29
63	29

**Head Trunnion (T)
with Pivot Bracket**



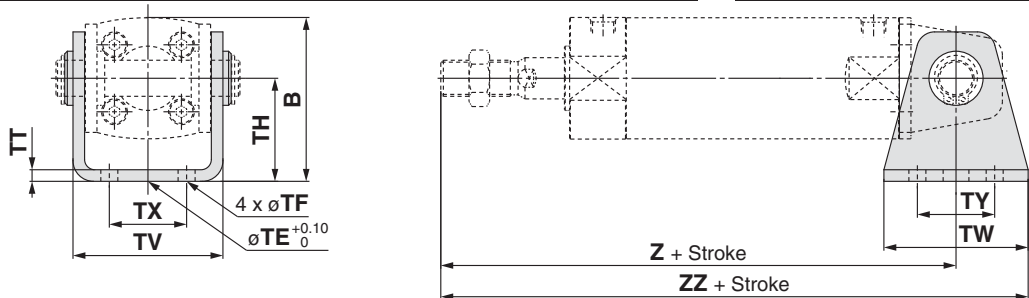
Male Thread

Bore size	B	TE	TF	TH	TS	TT	TV	TW	TX	TY	Z	ZZ
20	38	10	5.5	25	28	3.2	35.8	42	16	28	93 (101)	114 (122)
25	45.5	10	5.5	30	33	3.2	39.8	42	20	28	98 (106)	119 (127)
32	54	10	6.6	35	40	4.5	49.4	48	22	28	101 (108)	125 (132)
40	63.5	10	6.6	40	49	4.5	58.4	56	30	30	118 (125)	146 (153)
50	79	20	9	50	60	6	72.4	64	36	36	136 (147)	168 (179)
63	96	20	11	60	74	8	90.4	74	46	46	136 (147)	173 (184)

Female Thread [mm]

Bore size	Z	ZZ
20	71 (79)	92 (100)
25	72 (80)	93 (101)
32	75 (82)	99 (106)
40	83 (90)	111 (118)
50	94 (105)	126 (137)
63	94 (105)	131 (142)

**Clevis (D)
with Pivot Bracket**
ø20 to ø63



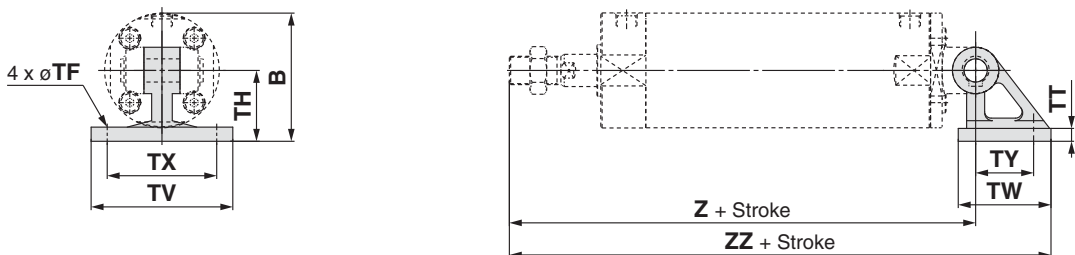
Male Thread

Bore size	B	TE	TF	TH	TT	TV	TW	TX	TY	Z	ZZ
20	38	10	5.5	25	3.2	35.8	42	16	28	118 (126)	139 (147)
25	45.5	10	5.5	30	3.2	39.8	42	20	28	125 (133)	146 (154)
32	54	10	6.6	35	4.5	49.4	48	22	28	131 (139)	155 (163)
40	63.5	10	6.6	40	4.5	58.4	56	30	30	150 (159)	178 (187)
50	79	20	9	50	6	72.4	64	36	36	173 (185)	205 (217)
63	96	20	11	60	8	90.4	74	46	46	178 (190)	215 (227)

Female Thread [mm]

Bore size	Z	ZZ
20	96 (104)	117 (125)
25	99 (107)	120 (128)
32	105 (113)	129 (137)
40	115 (124)	143 (152)
50	131 (143)	163 (175)
63	136 (148)	173 (185)

**Clevis (D)
with Pivot Bracket**
ø80, ø100



Male Thread

Bore size	B	TF	TH	TT	TV	TW	TX	TY	Z	ZZ
80	99.5	11	55	11	110	72	85	45	214 (228)	272.5 (286.5)
100	120	13.5	65	12	130	93	100	60	222 (236)	298.5 (312.5)

Female Thread [mm]

Bore size	Z	ZZ
80	162 (176)	220.5 (234.5)
100	173 (187)	249.5 (263.5)

Double Acting, Single Rod
CG1

Standard
Double Acting, Double Rod
CG1W

Single Acting, Spring Return/Extend
CG1

Non-rotating Rod
Double Acting, Single Rod
CG1K

Double Acting, Double Rod
CG1KW

Direct Mount
Double Acting, Single Rod
CG1R

Auto Switch

Made to Order

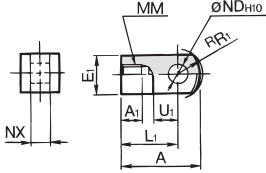
Series CG1

Dimensions of Accessories

Single Knuckle Joint

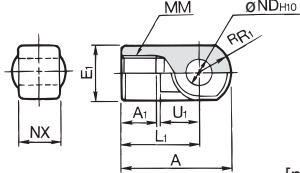
I-G02, G03

Material: Carbon steel



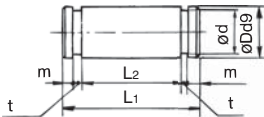
I-G04, G05, G08, G10

Material: Cast iron



Part no.	Applicable bore size [mm]	A	A ₁	E ₁	L ₁	MM	R ₁	U ₁	ND _{H10}	NX
I-G02	20	34	8.5	□16	25	M8 x 1.25	10.3	11.5	8 ^{+0.058} ₀	8 ^{-0.2} _{-0.4}
I-G03	25,32	41	10.5	□20	30	M10 x 1.25	12.8	14	10 ^{+0.058} ₀	10 ^{-0.2} _{-0.4}
I-G04	40	42	14	∅22	30	M14 x 1.5	12	14	10 ^{+0.058} ₀	18 ^{-0.3} _{-0.5}
I-G05	50,63	56	18	∅28	40	M18 x 1.5	16	20	14 ^{+0.070} ₀	22 ^{-0.3} _{-0.5}
I-G08	80	71	21	∅38	50	M22 x 1.5	21	27	18 ^{+0.070} ₀	28 ^{-0.3} _{-0.5}
I-G10	100	79	21	∅44	55	M26 x 1.5	24	31	22 ^{+0.084} ₀	32 ^{-0.3} _{-0.5}

Knuckle Pin

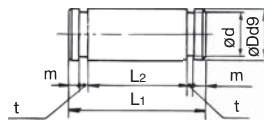


Material: Carbon steel

Part no.	Applicable bore size [mm]	D _{d9}	L ₁	d	L ₂	m	t	Included retaining ring
IY-G02	20	8 ^{-0.040} _{-0.076}	21	7.6	16.2	1.5	0.9	Type C8 for axis
IY-G03	25,32	10 ^{-0.040} _{-0.076}	25.6	9.6	20.2	1.55	1.15	Type C10 for axis
IY-G04	40	10 ^{-0.040} _{-0.076}	41.6	9.6	36.2	1.55	1.15	Type C10 for axis
IY-G05	50,63	14 ^{-0.050} _{-0.093}	50.6	13.4	44.2	2.05	1.15	Type C14 for axis
IY-G08	80	18 ^{-0.050} _{-0.093}	64	17	56.2	2.55	1.35	Type C18 for axis
IY-G10	100	22 ^{-0.065} _{-0.117}	72	21	64.2	2.55	1.35	Type C22 for axis

* Retaining rings are included.

Clevis Pin



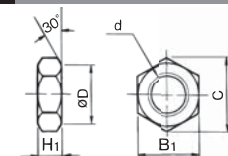
Material: Carbon steel

Part no.	Applicable bore size [mm]	D _{d9}	L ₁	d	L ₂	m	t	Included retaining ring
CD-G02	20	8 ^{-0.040} _{-0.076}	43.4	7.6	38.6	1.5	0.9	Type C8 for axis
CD-G25	25	10 ^{-0.040} _{-0.076}	48	9.6	42.6	1.55	1.15	Type C10 for axis
CD-G03	32	12 ^{-0.050} _{-0.093}	59.4	11.5	54	1.55	1.15	Type C12 for axis
CD-G04	40	14 ^{-0.050} _{-0.093}	71.4	13.4	65	2.05	1.15	Type C14 for axis
CD-G05	50	16 ^{-0.050} _{-0.093}	86	15.2	79.6	2.05	1.15	Type C16 for axis
CD-G06	63	18 ^{-0.050} _{-0.093}	105.4	17	97.8	2.45	1.35	Type C18 for axis

* Retaining rings are included.

* A clevis pin and a knuckle pin are common for the bore size ∅80 and ∅100.

Rod End Nut



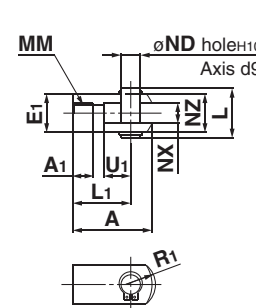
Material: Carbon steel

Part no.	Applicable bore size [mm]	d	H ₁	B ₁	C	D
NT-02	20	M8 x 1.25	5	13	(15)	12.5
NT-03	25,32	M10 x 1.25	6	17	(19.6)	16.5
NT-G04	40	M14 x 1.5	8	19	(21.9)	18
NT-05	50,63	M18 x 1.5	11	27	(31.2)	26
NT-08	80	M22 x 1.5	13	32	(37.0)	31
NT-10	100	M26 x 1.5	16	41	(47.3)	39

Double Knuckle Joint

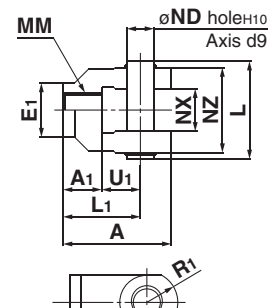
Y-G02, G03

Material: Carbon steel



Y-G04, G05, G08, G10

Material: Cast iron



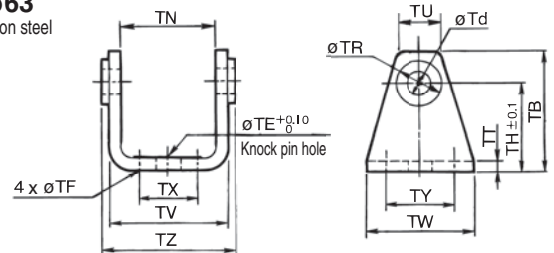
Part no.	Applicable bore size [mm]	A	A ₁	E ₁	L ₁	MM	R ₁	U ₁	ND	NX	NZ	L	Included pin part no.
Y-G02	20	34	8.5	□16	25	M8 x 1.25	10.3	11.5	8	8 ^{+0.4} _{+0.2}	16	21	IY-G02
Y-G03	25,32	41	10.5	□20	30	M10 x 1.25	12.8	14	10	10 ^{+0.4} _{+0.2}	20	25.6	IY-G03
Y-G04	40	42	16	∅22	30	M14 x 1.5	12	14	10	18 ^{+0.5} _{+0.3}	36	41.6	IY-G04
Y-G05	50,63	56	20	∅28	40	M18 x 1.5	16	20	14	22 ^{+0.5} _{+0.3}	44	50.6	IY-G05
Y-G08	80	71	23	∅38	50	M22 x 1.5	21	27	18	28 ^{+0.5} _{+0.3}	56	64	IY-G08
Y-G10	100	79	24	∅44	55	M26 x 1.5	24	31	22	32 ^{+0.5} _{+0.3}	64	72	IY-G10

* A knuckle pin and retaining rings are included.

Pivot Bracket

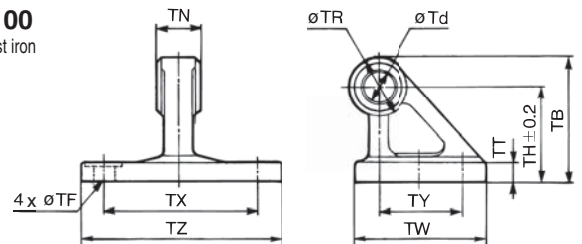
∅20 to ∅63

Material: Carbon steel



∅80, ∅100

Material: Cast iron



Part no.	Applicable bore size [mm]	TB	Td	TE	TF	TH	TN	TR	TT
CG-020-24A	20	36	8	10	5.5	25	(29.3)	13	3.2
CG-025-24A	25	43	10	10	5.5	30	(33.1)	15	3.2
CG-032-24A	32	50	12	10	6.6	35	(40.4)	17	4.5
CG-040-24A	40	58	14	10	6.6	40	(49.2)	21	4.5
CG-050-24A	50	70	16	20	9	50	(60.4)	24	6
CG-063-24A	63	82	18	20	11	60	(74.6)	26	8
CG-080-24A	80	73	18	—	11	55	28 ST ₂₈	36	11
CG-100-24A	100	90	22	—	13.5	65	32 ST ₃₂	50	12

Part no.	Applicable bore size [mm]	TU	TV	TW	TX	TY	TZ	Applicable pin O.D.
CG-020-24A	20	(18.1)	(35.8)	42	16	28	38.3	8d ^{-0.040} _{-0.076}
CG-025-24A	25	(20.7)	(39.8)	42	20	28	42.1	10d ^{-0.040} _{-0.076}
CG-032-24A	32	(23.6)	(49.4)	48	22	28	53.8	12d ^{-0.050} _{-0.093}
CG-040-24A	40	(27.3)	(58.4)	56	30	30	64.6	14d ^{-0.050} _{-0.093}
CG-050-24A	50	(29.7)	(72.4)	64	36	36	79.2	16d ^{-0.050} _{-0.093}
CG-063-24A	63	(34.3)	(90.4)	74	46	46	97.2	18d ^{-0.050} _{-0.093}
CG-080-24A	80	—	—	72	85	45	110	18d ^{-0.050} _{-0.093}
CG-100-24A	100	—	—	93	100	60	130	22d ^{-0.065} _{-0.117}

Air Cylinder: Standard Type Double Acting, Double Rod Series **CG1W**

ø20, ø25, ø32, ø40, ø50, ø63, ø80, ø100

How to Order

CG1W L N 25 - 100 **Z -**

With auto switch **CDG1W L N 25 - 100** **Z - M9BW**

With auto switch (Built-in magnet)
Double acting, double rod type
Mounting **Type**

B	Basic
Z*	Basic (without trunnion mounting female thread)
L	Axial foot
F	Flange
U*	Trunnion

N	Rubber bumper
A	Air cushion

Bore size	
20	20 mm
25	25 mm
32	32 mm
40	40 mm
50	50 mm
63	63 mm
80	80 mm
100	100 mm

Auto switch
— Without auto switch
* For applicable auto switches, refer to the table below.

Number of auto switches	
—	2 pcs.
S	1 pc.
n	"n" pcs.

Suffix for cylinder (Rod boot)

Without rod boot	
One end	J Nylon tarpaulin
Both ends	K Heat resistant tarpaulin
Both ends	JJ Nylon tarpaulin
Both ends	KK Heat resistant tarpaulin

Rod end thread

—	Male rod end
F	Female rod end

Cylinder stroke [mm]
Refer to "Standard Strokes" on page 19.

Made to Order
For details, refer to page 19.

Note) In the case of w/rod boot, and a foot bracket or rod flange as a bracket, those parts are to be assembled at the time of shipment.
* For female rod end, no rod boot is provided.

Built-in Magnet Cylinder Model

If a built-in magnet cylinder without an auto switch is required, there is no need to enter the symbol for the auto switch.
(Example) CDG1WFA32-100Z

Applicable Auto Switches/Refer to the Auto Switch Guide for further information on auto switches.

Type	Special function	Electrical entry	Indicator light	Wiring (Output)	Load voltage		Auto switch model			Lead wire length [m]					Pre-wired connector	Applicable load															
					DC	AC	Applicable bore size			0.5 (—)	1 [m]	3 (L)	5 (Z)	None (N)																	
							ø20 to ø63	ø80, ø100	Perpendicular								In-line	In-line													
Solid state auto switch	—	Grommet	—	3-wire (NPN)	5 V, 12 V	—	M9NV	M9N	—	●	●	●	○	—	○	IC circuit															
										3-wire (PNP)	—	—	—	—	—		—	—	—	—											
										2-wire	—	—	—	—	—		—	—	—	—											
		Connector		12 V	—	—	—	—	—	—	—	●	—	●	○		—	○													
												—	—	—	—		—	—	—	—	—	—									
												—	—	—	—		—	—	—	—	—	—									
	Diagnostic indication (2-colour indication)	Grommet	Yes	24 V	3-wire (NPN)	5 V, 12 V	—	M9NWV	M9NW	—	●	●	○	—	○	IC circuit															
											3-wire (PNP)	—	—	—	—		—	—	—	—											
											2-wire	—	—	—	—		—	—	—	—	—										
											Water resistant (2-colour indication)	Grommet	Yes	24 V	3-wire (NPN)		5 V, 12 V	—	M9NAV**	M9NA**	—	○	○	●	○	—	○				
																						3-wire (PNP)	—	—	—	—	—	—	—	—	—
																						2-wire	—	—	—	—	—	—	—	—	—
Diagnostic output (2-colour indication)	Grommet	Yes	24 V	4-wire (NPN)	5 V, 12 V	—	M9BWW	M9BW	—	●	●	○	—	○	IC circuit																
										—	—	—	—	—		—	—	—	—												
										—	—	—	—	—		—	—	—	—	—											
										Reed auto switch	Grommet	Yes	24 V	3-wire (Equiv. to NPN)		5 V	—	A96V	A96	—	●	—	●	○	—	○					
																					100 V	A93V	A93	—	●	—	●	○	—	—	
																					100 V or less	A90V	A90	—	●	—	●	○	—	—	
Diagnostic indication (2-colour indication)	Grommet	Yes	24 V	2-wire	12 V	—	—	—	—	●	—	●	○	—	IC circuit																
										100 V, 200 V	—	—	—	—		—	—	—	—												
										200 V or less	—	—	—	—		—	—	—	—	—											
										Connector	12 V	—	—	—		—	—	—	—	—	●	—	●	○	—						
																					—	—	—	—	—	—	—	—	—	—	
																					—	—	—	—	—	—	—	—	—	—	
Diagnostic indication (2-colour indication)	Grommet	Yes	24 V	2-wire	24 V or less	—	—	—	—	●	—	●	○	—	IC circuit																
										—	—	—	—	—		—	—	—	—												
										—	—	—	—	—		—	—	—	—	—											

*** Water resistant type auto switches can be mounted on the above models, but in such case SMC cannot guarantee the water resistance.
A water-resistant type cylinder is recommended for use in an environment which requires water resistance. However, please contact SMC for water-resistant products of ø20 and ø25.
* Lead wire length symbols: 0.5 m..... — (Example) M9NW
1 m..... M (Example) M9NWM
3 m..... L (Example) M9NWL
5 m..... Z (Example) M9NWX
None..... N (Example) H7CN
* Solid state auto switches marked with "○" are produced upon receipt of order.
* Since there are other applicable auto switches than listed, refer to page 47 for details.
* For details about auto switches with pre-wired connector, refer to the Auto Switch Guide.
* The D-A9□□/M9□□□ auto switches are shipped together, (but not assembled). (However, only the auto switch mounting brackets are assembled before shipment.)

Double Acting, Single Rod
CG1

Standard
Double Acting, Double Rod
CG1W

Single Acting, Spring Return/Extend
CG1

Non-rotating Rod
Double Acting, Single Rod
CG1K

Double Acting, Double Rod
CG1KW

Direct Mount
Double Acting, Single Rod
CG1R

Auto Switch

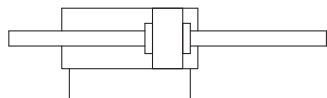
Made to Order

Series CG1W

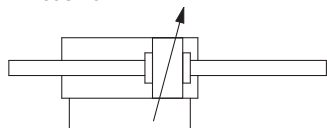


Symbol

Rubber bumper



Air cushion



Made to Order
(For details, refer to pages 49 to 65.)

Symbol	Specifications
-XC6	Made of stainless steel
-XC13	Auto switch rail mounting
-XC22	Fluororubber seal*1
-XC37	Larger throttle diameter of connection port*2
-XC85	Grease for food processing equipment

*1 Cylinders with rubber bumper have no bumper.

*2 Only compatible with cylinders with rubber bumper.

Refer to pages 42 to 47 for cylinders with auto switches.

- Auto switch proper mounting position (detection at stroke end) and its mounting height
- Minimum stroke for auto switch mounting
- Operating range
- Auto switch mounting brackets/Part no.

Rod Boot Material

Symbol	Rod boot mater	Maximum operating temperature
J	Nylon tarpaulin	70°C
K	Heat resistant tarpaulin	110°C*

* Maximum ambient temperature for the rod boot itself.

Specifications

Bore size [mm]		20	25	32	40	50	63	80	100	
Action		Double acting, Double rod								
Lubricant		Not required (Non-lube)								
Fluid		Air								
Proof pressure		1.5 MPa								
Maximum operating pressure		1.0 MPa								
Minimum operating pressure		0.08 MPa								
Ambient and fluid temperature		Without auto switch: -10°C to 70°C (No freezing) With auto switch : -10°C to 60°C								
Piston speed		50 to 1000 mm/s							50 to 700 mm/s	
Stroke length tolerance		Up to 1000 st $^{+1.4}_0$ mm, Up to 1500 st $^{+1.8}_0$ mm								
Cushion		Rubber bumper, Air cushion								
Mounting**		Basic, Basic (without trunnion mounting female thread), Axial foot, Flange, Trunnion								
Allowable kinetic energy [J]	Rubber bumper	Male rod end	0.28	0.41	0.66	1.20	2.00	3.40	5.90	9.90
		Female rod end	0.11	0.18	0.29	0.52	0.91	1.54	2.71	4.54
	Air cushion	Male rod end	R: 0.35 H: 0.42	R: 0.56 H: 0.65	0.91	1.80	3.40	4.90	11.80	16.70
		Female rod end	0.11	0.18	0.29	0.52	0.91	1.54	2.71	4.54

* R: Rod side, H: Head side

** Rod trunnion type is not available for ø80 and ø100.

Foot and flange types of cylinder bore sizes from ø20 to ø63 do not have trunnion mounting female thread. Operate the cylinder within the allowable kinetic energy.

Accessories

Mounting		Basic	Axial foot	Rod flange	Rod trunnion
Standard	Rod end nut	●	●	●	●
Option	Single knuckle joint	●	●	●	●
	Double knuckle joint** (with pin)	●	●	●	●
	Pivot bracket*	—	—	—	●*
	Rod boot	●	●	●	●

* Not available for ø80 and ø100.

** A double knuckle joint pin and retaining rings are shipped together.

Standard Strokes

Bore size [mm]	Standard stroke [mm] ^{Note1)}	Long stroke [mm] ^{Note2)}
20	25, 50, 75, 100, 125, 150, 200	201 to 1500
25	25, 50, 75, 100, 125, 150, 200, 250, 300	301 to 1500
32		
40		
50, 63		
80		
100		

Note 1) Intermediate strokes not listed above are produced upon receipt of order. Manufacture of intermediate strokes at 1 mm intervals is possible. (Spacers are not used.)

Note 2) The long stroke shows the maximum manufacturable stroke. For details about maximum stroke that can be used for each mounting bracket, contact SMC.

Weights

Bore size [mm]		20	25	32	40	50	63	80	100	[kg]
Basic weight	Basic	0.13	0.22	0.33	0.55	1.02	1.37	2.64	4.09	
	Axial foot	0.24	0.35	0.49	0.77	1.50	2.09	3.60	5.84	
	Flange	0.21	0.32	0.47	0.75	1.36	1.87	3.35	5.44	
	Trunnion	0.14	0.24	0.36	0.60	1.16	1.51	—	—	
Pivot bracket		0.08	0.09	0.17	0.25	0.44	0.80	—	—	
Single knuckle joint		0.05	0.09	0.09	0.10	0.22	0.22	0.39	0.57	
Double knuckle joint (with pin)		0.05	0.09	0.09	0.13	0.26	0.26	0.64	1.31	
Additional weight per 50 mm of stroke		0.07	0.10	0.13	0.23	0.34	0.38	0.54	0.77	
Additional weight with air cushion		0.01	0.01	0.02	0.02	0.03	0.03	0.09	0.10	
Weight reduction for female rod end		-0.02	-0.04	-0.04	-0.10	-0.20	-0.20	-0.38	-0.54	

Calculation (Example) **CG1WLN32-100Z**
(Foot, ø32, 100 stroke)

- Basic weight..... 0.49 (Foot, ø32)
 - Additional weight..... 0.13/50 stroke
 - Air cylinder stroke 100 stroke
- $0.49 \times 0.13 \times 100/50 = 0.75 \text{ kg}$

Mounting Brackets/Part No.

Mounting bracket	Order q'ty.	Bore size [mm]								Contents
		20	25	32	40	50	63	80	100	
Axial foot	2 <small>Note)</small>	CG-L020	CG-L025	CG-L032	CG-L040	CG-L050	CG-L063	CG-L080	CG-L100	2 feet, 8 mounting bolts
Flange	1	CG-F020	CG-F025	CG-F032	CG-F040	CG-F050	CG-F063	CG-F080	CG-F100	1 flange, 4 mounting bolts
Trunnion pin	1	CG-T020	CG-T025	CG-T032	CG-T040	CG-T050	CG-T063	—	—	2 trunnion pins, 2 trunnion bolts, 2 flat washers
Pivot bracket	1	CG-020-24A	CG-025-24A	CG-032-24A	CG-040-24A	CG-050-24A	CG-063-24A	—	—	1 pivot bracket

Note) Order two feet per cylinder.

⚠ Precautions

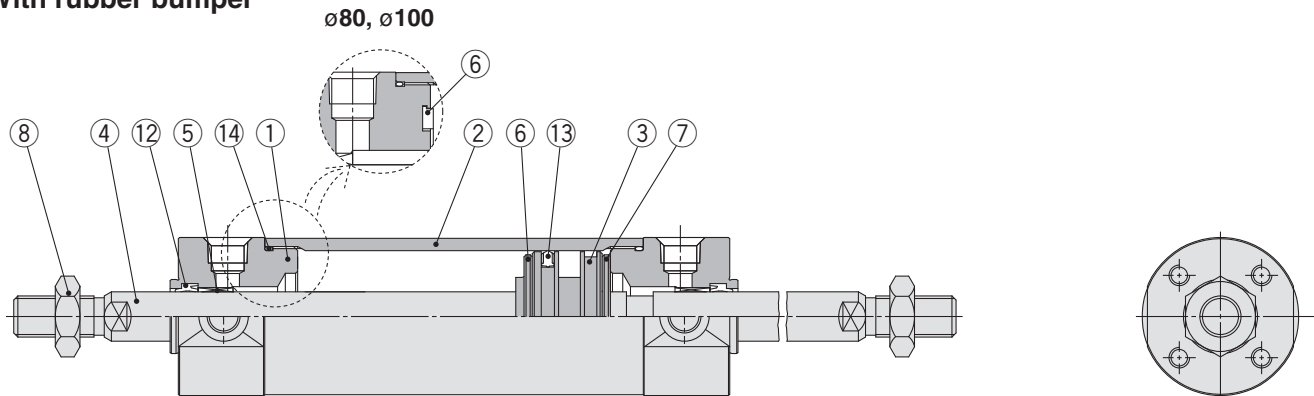
Be sure to read before handling. Refer to back cover for Safety Instructions. For Actuator and Auto Switch Precautions, refer to "Handling Precaution for SMC Products" and the Operation Manual on SMC website, <http://www.smcworld.com>

Double Acting, Single Rod **CG1**
 Standard **CG1W**
 Double Acting, Double Rod
 Single Acting, Spring Return/Extend **CG1**
 Non-rotating Rod **CG1K**
 Double Acting, Double Rod **CG1KW**
 Direct Mount **CG1R**
 Double Acting, Single Rod
 Auto Switch
 Made to Order

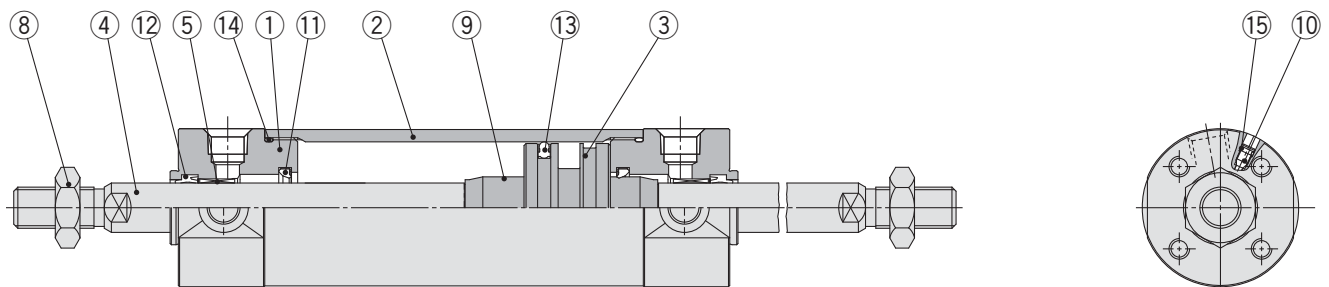
Series CG1W

Construction

With rubber bumper



With air cushion



Component Parts

No.	Description	Material	Note
1	Rod cover	Aluminium alloy	Hard Anodised
2	Tube cover	Aluminium alloy	Hard Anodised
3	Piston	Aluminium alloy	
4	Piston rod	Stainless steel	For ø20 or ø25 with built-in magnet
		Carbon steel*	Hard chrome plating*
5	Bushing	Bearing alloy	
6	Bumper	Resin	ø32 or larger is common.
7	Bumper	Resin	
8	Rod end nut	Carbon steel	Zinc chromated
9	Cushion ring	Aluminium alloy	
10	Cushion valve	ø40 or smaller	Carbon steel
		ø50 or larger	Steel wire
			Electroless nickel plating
			Zinc chromated
11	Cushion seal	Urethane	
12	Rod seal	NBR	
13	Piston seal	NBR	
14	Tube gasket	NBR	
15	Valve seal	NBR	

Replacement Parts/Seal Kit

Bore size [mm]	Kit no.	Contents
20	CG1WN20Z-PS	Set of the nos. 12, 13, 14
25	CG1WN25Z-PS	
32	CG1WN32Z-PS	
40	CG1WN40Z-PS	

Note) Refer to the Specific Product Precautions on page 5 for Disassembly/Replacement. Order with the kit number according to the bore size.

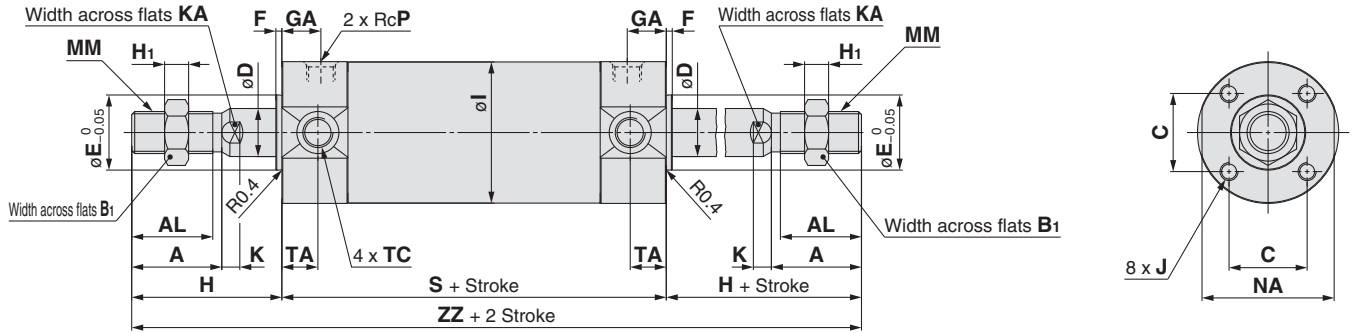
* The seal kit includes a grease pack (10 g). Order with the following part number when only the grease pack is needed.

Grease pack part number: GR-S-010 (10 g)

Note) For cylinders with auto switches, the magnet is installed in the piston.

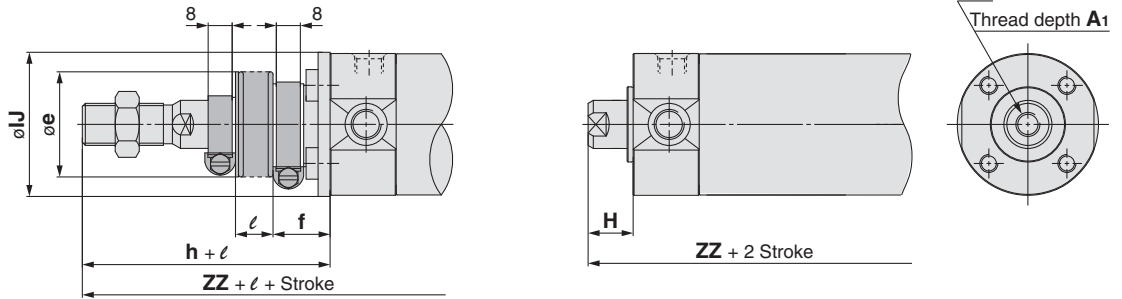
* The material for ø20, ø25 cylinders with auto switches is made of stainless steel.

Basic with Rubber Bumper: CG1WBN

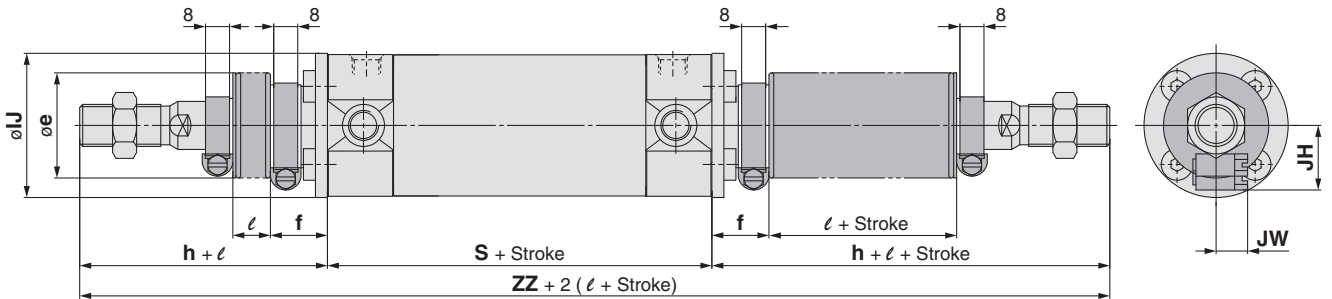


<With rod boot at one end>

Female rod end



<With rod boot at both ends>



Bore size	Stroke range		A	AL	B ₁	C	D	E	F	GA	H ₁	I	J	K	KA	MM	NA	P	S
	Standard	Long stroke																	
20	Up to 200	201 to 1500	18	15.5	13	14	8	12	2	12	5	26	M4 x 0.7 depth 7	5	6	M8 x 1.25	24	1/8	77
25	Up to 300	301 to 1500	22	19.5	17	16.5	10	14	2	12	6	31	M5 x 0.8 depth 7.5	5.5	8	M10 x 1.25	29	1/8	77
32	Up to 300	301 to 1500	22	19.5	17	20	12	18	2	12	6	38	M5 x 0.8 depth 8	5.5	10	M10 x 1.25	35.5	1/8	79
40	Up to 300	301 to 1500	30	27	19	26	16	25	2	13	8	47	M6 x 1 depth 12	6	14	M14 x 1.5	44	1/8	87
50	Up to 300	301 to 1500	35	32	27	32	20	30	2	14	11	58	M8 x 1.25 depth 16	7	18	M18 x 1.5	55	1/4	102
63	Up to 300	301 to 1500	35	32	27	38	20	32	2	14	11	72	M10 x 1.5 depth 16	7	18	M18 x 1.5	69	1/4	102
80	Up to 300	301 to 1500	40	37	32	50	25	40	3	20	13	89	M10 x 1.5 depth 22	10	22	M22 x 1.5	86	3/8	122
100	Up to 300	301 to 1500	40	37	41	60	30	50	3	20	16	110	M12 x 1.75 depth 22	10	26	M26 x 1.5	106	1/2	122

Bore size	TA	TC**	Without rod boot		With rod boot on one side*							With rod boot* on both sides	
			H	ZZ	e	f	h	IJ	JH (Reference)	JW (Reference)	ℓ	ZZ	ZZ
20	11	M5 x 0.8	35	147	30	18	55	27	15.5	10.5	1/4 stroke	167	187
25	11	M6 x 0.75	40	157	30	19	62	32	16.5	10.5		179	201
32	11	M8 x 1.0	40	159	35	19	62	38	18.5	10.5		181	203
40	12	M10 x 1.25	50	187	35	19	70	48	21.5	10.5		207	227
50	13	M12 x 1.25	58	218	40	19	78	59	24	10.5		238	258
63	13	M14 x 1.5	58	218	40	20	78	72	24	10.5		238	258
80	—	—	71	264	52	10	80	59	—	—		273	282
100	—	—	71	264	62	7	80	71	—	—	273	282	

Female Rod End				
Bore size	A ₁	H	MM	ZZ
20	8	13	M4 x 0.7	103
25	8	14	M5 x 0.8	105
32	12	14	M6 x 1	107
40	13	15	M8 x 1.25	117
50	18	16	M10 x 1.5	134
63	18	16	M10 x 1.5	134
80	21	19	M14 x 1.5	160
100	25	22	M16 x 1.5	166

* The minimum stroke with rod boot is 20 mm.

** Cylinder bore sizes ø80 and ø100 do not have trunnion mounting female thread on the width across flats NA.

* For details about applicable maximum stroke, contact SMC.

Double Acting, Single Rod
CG1

Standard
Double Acting, Double Rod
CG1W

Single Acting, Spring Return/Extend
CG1

Non-rotating Rod
Double Acting, Single Rod
CG1K

Double Acting, Double Rod
CG1KW

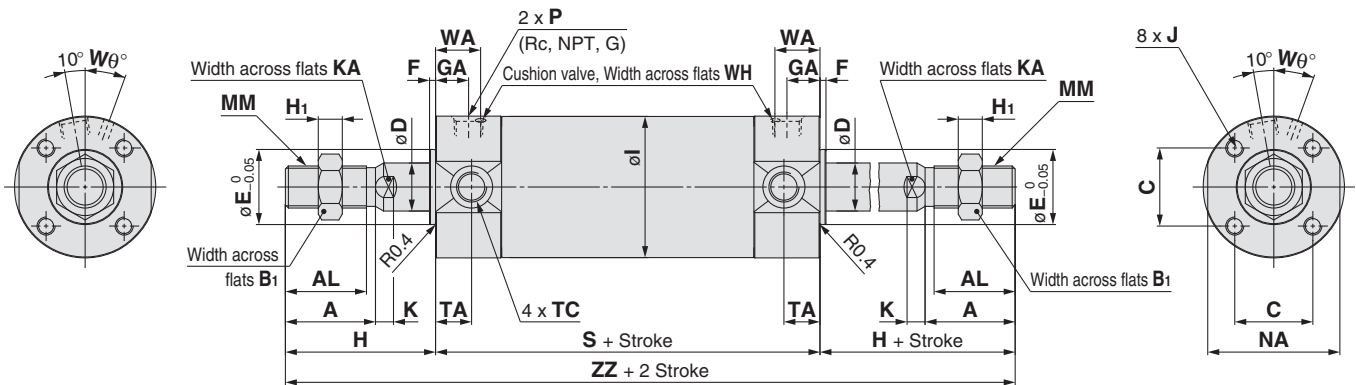
Direct Mount
Double Acting, Single Rod
CG1R

Auto Switch

Made to Order

Series CG1W

Basic with Air Cushion: CG1WBA



★ For the one with rod boot, refer to w/rubber bumper. [mm]

Bore size	Stroke range		A	AL	B ₁	C	D	E	F	GA	H	H ₁	I	J	K	KA
	Standard	Long stroke														
20	Up to 200	201 to 1500	18	15.5	13	14	8	12	2	12	35	5	26	M4 x 0.7 depth 7	5	6
25	Up to 300	301 to 1500	22	19.5	17	16.5	10	14	2	12.5	40	6	31	M5 x 0.8 depth 7.5	5.5	8
32	Up to 300	301 to 1500	22	19.5	17	20	12	18	2	12	40	6	38	M5 x 0.8 depth 8	5.5	10
40	Up to 300	301 to 1500	30	27	19	26	16	25	2	13	50	8	47	M6 x 1 depth 12	6	14
50	Up to 300	301 to 1500	35	32	27	32	20	30	2	14	58	11	58	M8 x 1.25 depth 16	7	18
63	Up to 300	301 to 1500	35	32	27	38	20	32	2	14	58	11	72	M10 x 1.5 depth 16	7	18
80	Up to 300	301 to 1500	40	37	32	50	25	40	3	20	71	13	89	M10 x 1.5 depth 22	10	22
100	Up to 300	301 to 1500	40	37	41	60	30	50	3	20	71	16	110	M12 x 1.75 depth 22	10	26

Bore size	MM	NA	P	S	TA	TC**	ZZ	WA	W θ	WH
20	M8 x 1.25	24	M5 x 0.8	77	11	M5 x 0.8	147	16	25°	1.5
25	M10 x 1.25	29	M5 x 0.8	77	11	M6 x 0.75	157	16	25°	1.5
32	M10 x 1.25	35.5	Rc1/8	79	11	M8 x 1.0	159	16	25°	1.5
40	M14 x 1.5	44	Rc1/8	87	12	M10 x 1.25	187	17	20°	1.5
50	M18 x 1.5	55	Rc1/4	102	13	M12 x 1.25	218	18	20°	3
63	M18 x 1.5	69	Rc1/4	102	13	M14 x 1.5	218	18	20°	3
80	M22 x 1.5	86	Rc3/8	122	—	—	264	24	20°	4
100	M26 x 1.5	106	Rc1/2	122	—	—	264	24	20°	4

* For mounting brackets, refer to page 17.

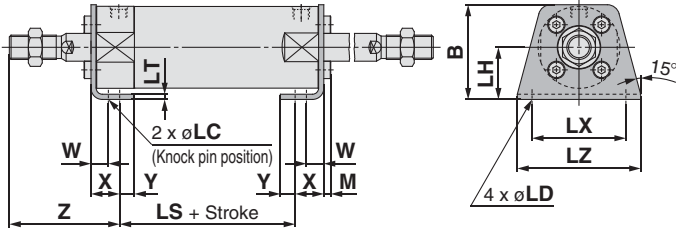
** Cylinder sizes $\phi 80$ and $\phi 100$ do not have trunnion mounting female thread on the width across flats NA.

* Refer to w/rubber bumper for the female rod end.

* For details about applicable maximum stroke, contact SMC.

Mounting Bracket

Axial foot: CG1WL□

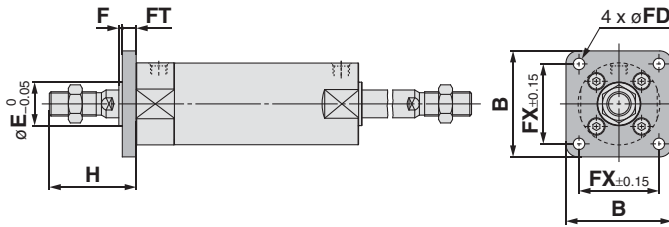


Axial Foot

Bore size	Stroke range	B	LC	LD	LH	LS	LT	LX	LZ	M	W	X	Y	Z
20	Up to 1500	34	4	6	20	53	3	32	44	3	10	15	7	47
25	Up to 1500	38.5	4	6	22	53	3	36	49	3.5	10	15	7	52
32	Up to 1500	45	4	7	25	53	3	44	58	3.5	10	16	8	53
40	Up to 1500	54.5	4	7	30	60	3	54	71	4	10	16.5	8.5	63.5
50	Up to 1500	70.5	5	10	40	67	4.5	66	86	5	17.5	22	11	75.5
63	Up to 1500	82.5	5	12	45	67	4.5	82	106	5	17.5	22	13	75.5
80	Up to 1500	101	6	11	55	74	4.5	100	125	5	20	28.5	14	95
100	Up to 1500	121	6	14	65	74	6	120	150	7	20	30	16	95

* Other dimensions are the same as basic type.
* For details about applicable maximum stroke, contact SMC.

Flange: CG1WF□

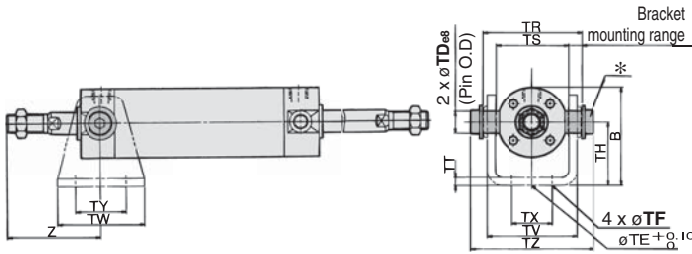


Flange

Bore size	Stroke range	B	E	F	FX	FD	FT	H
20	Up to 1500	40	12	2	28	5.5	6	35
25	Up to 1500	44	14	2	32	5.5	7	40
32	Up to 1500	53	18	2	38	6.6	7	40
40	Up to 1500	61	25	2	46	6.6	8	50
50	Up to 1500	76	30	2	58	9	9	58
63	Up to 1500	92	32	2	70	11	9	58
80	Up to 1500	104	40	3	82	11	11	71
100	Up to 1500	128	50	3	100	14	14	71

* End boss is machined on the flange for øE.
* Other dimensions are the same as basic type.
* For details about applicable maximum stroke, contact SMC.

Trunnion: CG1WU□



Trunnion

Bore size	Stroke range	B	TDe8	TE	TF	TH	TR	TS
20	Up to 1500	38	8 ^{-0.025} _{-0.047}	10	5.5	25	39	28
25	Up to 1500	45.5	10 ^{-0.025} _{-0.047}	10	5.5	30	43	33
32	Up to 1500	54	12 ^{-0.032} _{-0.059}	10	6.6	35	54.5	40
40	Up to 1500	63.5	14 ^{-0.032} _{-0.059}	10	6.6	40	65.5	49
50	Up to 1500	79	16 ^{-0.032} _{-0.059}	20	9	50	80	60
63	Up to 1500	96	18 ^{-0.032} _{-0.059}	20	11	60	98	74

Bore size	TT	TV	TW	TX	TY	TZ	Z	
							Without rod boot	With rod boot
20	3.2	(35.8)	42	16	28	47.6	46	66 + ℓ
25	3.2	(39.8)	42	20	28	53	51	73 + ℓ
32	4.5	(49.4)	48	22	28	67.7	51	73 + ℓ
40	4.5	(58.4)	56	30	30	78.7	62	82 + ℓ
50	6	(72.4)	64	36	36	98.6	71	91 + ℓ
63	8	(90.4)	74	46	46	119.2	71	91 + ℓ

* Consists of a pin, flat washer and hexagon socket head cap bolt.
* Other dimensions are the same as basic type.
* For details about applicable maximum stroke, contact SMC.

Double Acting, Single Rod
CG1

Standard
Double Acting, Double Rod
CG1W

Single Acting, Spring Return/Extend
CG1

Non-rotating Rod
Double Acting, Single Rod
CG1K

Double Acting, Double Rod
CG1KW

Direct Mount
Double Acting, Single Rod
CG1R

Auto Switch

Made to Order

Air Cylinder: Standard Type Single Acting, Spring Return/Extend Series **CG1** ø20, ø25, ø32, ø40



How to Order

CG1 L N 25 - 100 S □ Z - □

With auto switch **CDG1 L N 25 - 100 S □ Z - M9BW □ - □**

With auto switch
(Built-in magnet)

Mounting

B	Basic	G	Head flange
Z	Basic (without trunnion mounting female thread)	U	Rod trunnion
L	Axial foot	T	Head trunnion
F	Rod flange	D	Clevis

* Mounting bracket is shipped together with the product, but not assembled.
* The cylinder for F, G, L, D mounting types is Z: Basic (without trunnion mounting female thread).

Type

N	Rubber bumper
----------	---------------

Bore size

20	20 mm
25	25 mm
32	32 mm
40	40 mm

Rod end thread

—	Male rod end
F	Female rod end

Action

S	Single acting, Spring return
T	Single acting, Spring extend

Number of auto switches

—	2 pcs.
S	1 pc.
n	"n" pcs.

Auto switch

—	Without auto switch
---	---------------------

* For applicable auto switches, refer to the table below.

Cylinder stroke [mm]

Made to Order
Refer to page 26 for "Standard Strokes" on page 26. For details, refer to page 26.

Built-in Magnet Cylinder Model

If a built-in magnet cylinder without an auto switch is required, there is no need to enter the symbol for the auto switch.
(Example) CDG1FN32-100TZ

Applicable Auto Switches/Refer to the Auto Switch Guide for further information on auto switches.

Type	Special function	Electrical entry	Indicator light	Wiring (Output)	Load voltage		Auto switch model		Lead wire length [m]					Pre-wired connector	Applicable load	
					DC	AC	Applicable bore size		0.5 (—)	1 [m]	3 (L)	5 (Z)	None [N]		IC circuit	Relay, PLC
							ø20 to ø40	Perpendicular								
Solid state auto switch	—	Grommet	—	3-wire (NPN)	5 V, 12 V	—	M9NV	M9N	●	●	●	○	—	○	IC circuit	Relay, PLC
				3-wire (PNP)					●	●	●	○	—	○		
		Connector		2-wire	12 V		●	●	●	○	—	○	—			
				—	—		●	—	●	●	●	—	—			
	Diagnostic indication (2-colour indication)	Grommet	Yes	3-wire (NPN)	5 V, 12 V	—	M9NWV	M9NW	●	●	●	○	—	○	IC circuit	Relay, PLC
				3-wire (PNP)					●	●	●	○	—	○		
				2-wire	12 V		●	●	●	○	—	○	—			
				3-wire (NPN)	5 V, 12 V		M9NAV**	M9NA**	○	○	●	○	—	○	IC circuit	
				3-wire (PNP)					○	○	●	○	—	○		
				2-wire	12 V		○	○	●	○	—	○	—			
4-wire (NPN)	5 V, 12 V	—	H7NF	●	—	●	○	—	○	IC circuit						
Reed auto switch	—	Grommet	Yes	3-wire (Equiv. to NPN)	5 V	—	A96V	A96	●	—	●	—	—	—	IC circuit	Relay, PLC
				2-wire	100 V	A93V	A93	●	—	●	●	—	—	IC circuit		
					100 V or less	A90V	A90	●	—	●	—	—	—	IC circuit		
					100 V, 200 V	—	B54	●	—	●	●	—	—	—		
		Connector		200 V or less	—	B64	●	—	●	—	—	—	—			
				—	—	C73C	●	—	●	●	●	—	—			
				24 V or less	—	C80C	●	—	●	●	●	—	IC circuit			
				—	—	B59W	●	—	●	—	—	—	—			

** Water resistant type auto switches can be mounted on the above models, but in such case SMC cannot guarantee water resistance. Please consult with SMC regarding water resistant types with the above model numbers.

* Lead wire length symbols: 0.5 m..... — (Example) M9NW
1 m..... M (Example) M9NWM
3 m..... L (Example) M9NWL
5 m..... Z (Example) M9NWZ
None..... N (Example) H7CN

* Solid state auto switches marked with "○" are produced upon receipt of order.

* Since there are other applicable auto switches than listed, refer to page 47 for details.

* For details about auto switches with pre-wired connector, refer to the Auto Switch Guide.

* The D-A9□□/M9□□□ auto switches are shipped together, (but not assembled). (However, only the auto switch mounting brackets are assembled before shipment.)

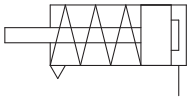
Specifications

Bore size [mm]	20	25	32	40	20	25	32	40
Action	Single acting, Spring return				Single acting, Spring extend			
Lubricant	Not required (Non-lube)							
Fluid	Air							
Proof pressure	1.5 MPa							
Maximum operating pressure	1.0 MPa							
Minimum operating pressure	0.18 MPa				0.23 MPa			
Ambient and fluid temperature	Without auto switch: -10°C to 70°C With auto switch : -10°C to 60°C (No freezing)							
Piston speed	50 to 1000 mm/s							
Stroke length tolerance	Up to 200 st $^{+1.4}_0$ mm							
Cushion	Rubber bumper							
Mounting	Basic, Axial foot, Rod flange, Head flange, Rod trunnion, Head trunnion, Clevis (used for changing the port location by 90°)							

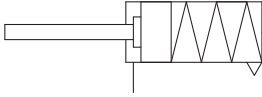


Symbol

Spring return, Rubber bumper



Spring extend, Rubber bumper



Made to Order
(For details, refer to pages 49 to 65.)

Symbol	Specifications
-XC6	Made of stainless steel

Note) Applicable only to single acting, spring return type. For single acting, spring extend type, please contact SMC.

Refer to pages 42 to 47 for cylinders with auto switches.

- Auto switch proper mounting position (detection at stroke end) and its mounting height
- Minimum stroke for auto switch mounting
- Operating range
- Auto switch mounting brackets/Part no.

⚠ Precautions

Be sure to read before handling. Refer to back cover for Safety Instructions. For Actuator and Auto Switch Precautions, refer to "Handling Precaution for SMC Products" and the Operation Manual on SMC website, <http://www.smcworld.com>

Accessories

Mounting		Basic	Axial foot	Rod flange	Head flange	Rod trunnion	Head trunnion	Clevis
Standard	Rod end nut	●	●	●	●	●	●	●
	Clevis pin	—	—	—	—	—	—	●
Option	Single knuckle joint	●	●	●	●	●	●	●
	Double knuckle joint* (with pin)	●	●	●	●	●	●	●
	Pivot bracket	—	—	—	—	●	●	●

* A double knuckle joint pin and retaining rings are shipped together.

Standard Strokes

Bore size [mm]	Standard stroke [mm] <small>Note1)</small>
20	25, 50, 75, 100, 125
25, 32, 40	25, 50, 75, 100, 125, 150, 200

Note 1) Manufacture of intermediate strokes at 1 mm intervals is possible. (Spacers are not used.)

Theoretical Output

Consult SMC.

Spring Reaction Force

Consult SMC.

Mounting Brackets/Part No.

Mounting bracket	Order q'ty.	Bore size [mm]				Contents
		20	25	32	40	
Axial foot	2 <small>Note)</small>	CG-L020	CG-L025	CG-L032	CG-L040	2 feet, 8 mounting bolts
Flange	1	CG-F020	CG-F025	CG-F032	CG-F040	1 flange, 4 mounting bolts
Trunnion pin	1	CG-T020	CG-T025	CG-T032	CG-T040	2 trunnion pins, 2 trunnion bolts, 2 flat washers
Clevis	1	CG-D020	CG-D025	CG-D032	CG-D040	1 clevis, 4 mounting bolts, 1 clevis pin, 2 retaining rings
Pivot bracket	1	CG-020-24A	CG-025-24A	CG-032-24A	CG-040-24A	1 pivot bracket

Note) Order two feet per cylinder.

Double Acting, Single Rod **CG1**
 Standard Double Acting, Double Rod **CG1W**
 Single Acting, Spring Return/Extend **CG1**
 Non-rotating Rod Double Acting, Single Rod **CG1K**
 Double Acting, Double Rod **CG1KW**
 Direct Mount Double Acting, Single Rod **CG1R**
 Auto Switch **CG1AS**
 Made to Order

Series CG1

Weights

Spring return [kg]

Bore size [mm]		20	25	32	40
Basic weight	25 st	0.17	0.27	0.40	0.63
	50 st	0.19	0.30	0.45	0.71
	75 st	0.26	0.40	0.58	0.91
	100 st	0.28	0.43	0.62	0.99
	125 st	0.35	0.53	0.76	1.20
	150 st	—	0.56	0.81	1.28
	200 st	—	0.69	0.98	1.56
Mounting bracket weight	Axial foot	0.11	0.13	0.16	0.22
	Flange	0.08	0.10	0.14	0.20
	Trunnion	0.01	0.02	0.03	0.05
	Clevis	0.05	0.08	0.15	0.23
Accessories	Pivot bracket	0.08	0.09	0.17	0.25
	Single knuckle joint	0.05	0.09	0.09	0.10
	Double knuckle joint (with pin)	0.05	0.09	0.09	0.13
Weight reduction for female rod end		-0.01	-0.02	-0.02	-0.05

Calculation (Example) **CG1LN20-100SZ** ● Basic weight 0.28 kg (ø20)
 (Foot, ø20, 100 stroke) ● Mounting bracket weight 0.11 kg (Foot)
 $0.28 + 0.11 = 0.39$ kg

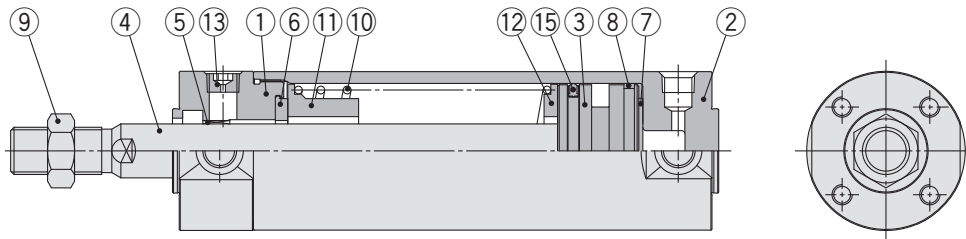
Spring extend [kg]

Bore size [mm]		20	25	32	40
Basic weight	25 st	0.16	0.25	0.38	0.59
	50 st	0.18	0.28	0.43	0.67
	75 st	0.24	0.37	0.54	0.83
	100 st	0.26	0.40	0.58	0.91
	125 st	0.32	0.48	0.69	1.08
	150 st	—	0.50	0.72	1.12
	200 st	—	0.63	0.89	1.40
Mounting bracket weight	Axial foot	0.11	0.13	0.16	0.22
	Flange	0.08	0.10	0.14	0.20
	Trunnion	0.01	0.02	0.03	0.05
	Clevis	0.05	0.08	0.15	0.23
Accessories	Pivot bracket	0.08	0.09	0.17	0.25
	Single knuckle joint	0.05	0.09	0.09	0.10
	Double knuckle joint (with pin)	0.05	0.09	0.09	0.13
Weight reduction for female rod end		-0.01	-0.02	-0.02	-0.05

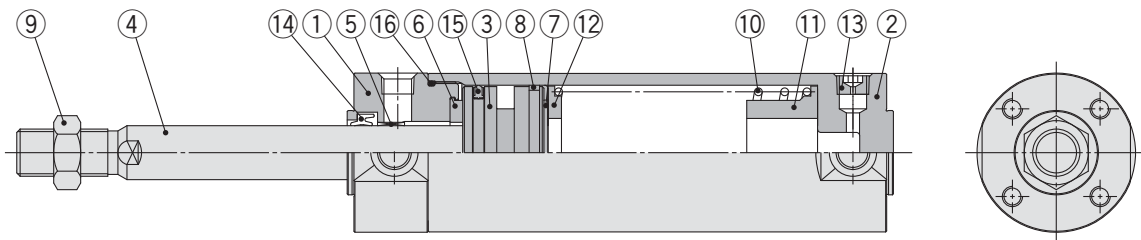
Calculation (Example) **CG1LN20-100TZ** ● Basic weight 0.26 kg (ø20)
 (Foot, ø20, 100 stroke) ● Mounting bracket weight 0.11 kg (Foot)
 $0.26 + 0.11 = 0.37$ kg

Construction

Single acting, Spring return



Single acting, Spring extend



Component Parts

No.	Description	Material	Note
1	Rod cover	Aluminium alloy	Hard Anodised
2	Tube cover	Aluminium alloy	Hard Anodised
3	Piston	Aluminium alloy	
4	Piston rod	Stainless steel	For ø20 or ø25 with built-in magnet
		Carbon steel*	Hard chrome plating*
5	Bushing	Bearing alloy	
6	Bumper	Resin	ø32 or larger is common.
7	Bumper	Resin	
8	Wear ring	Resin	
9	Rod end nut	Carbon steel	Zinc chromated
10	Return spring	Steel wire	Zinc chromated
11	Spring guide	Aluminium alloy	
12	Spring seat	Aluminium alloy	
13	Plug with breathing hole	Alloy steel	Black zinc chromated
14	Rod seal	NBR	
15	Piston seal	NBR	
16	Tube gasket	NBR	

Note) For cylinders with auto switches, the magnet is installed in the piston.

* The material for ø20, ø25 cylinders with auto switches is made of stainless steel.

Replacement Part/Seal

● For single acting, spring return

No.	Description	Material	Part no.			
			20	25	32	40
15	Piston seal	NBR	CG1N20-S-PS	CG1N25-S-PS	CG1N32-S-PS	CG1N40-S-PS

* Since the seal kit does not include a grease pack, order it separately.

Grease pack part number: **GR-S-010** (10 g)

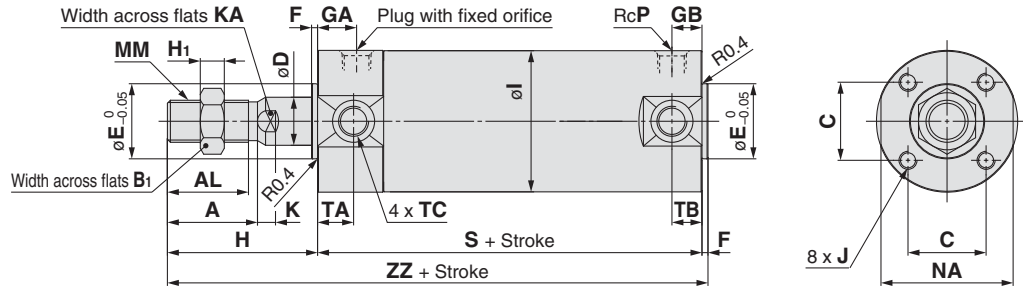
● For single acting, spring extend

Replacement parts/Seal kits are the same as standard type, double acting, single rod (with rubber bumper). Refer to page 6.

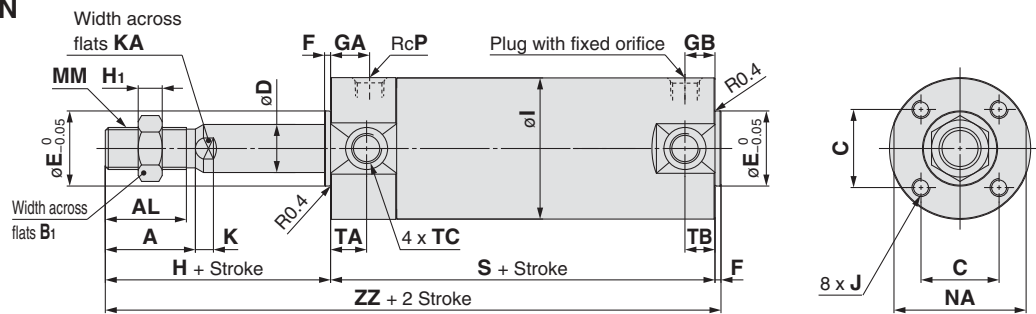
Note) Refer to the Specific Product Precautions on page 5 for Disassembly/Replacement.

Basic

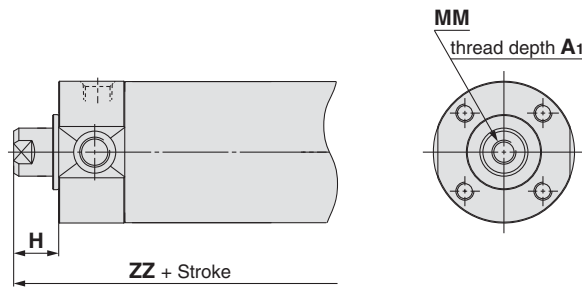
Spring return: CG1BN



Spring extend: CG1BN



Female rod end

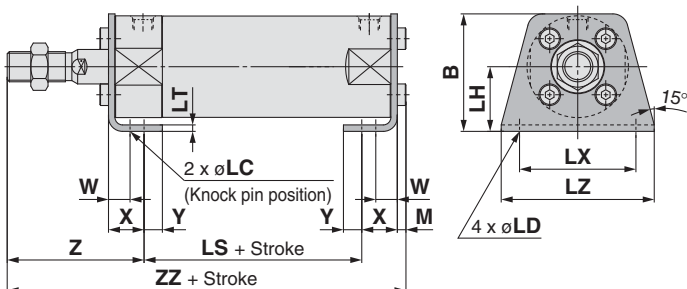


Bore size	Stroke range	A	AL	B ₁	C	D	E	F	GA	GB	H	H ₁	I	J	K	KA	MM	NA	P
20	Up to 125	18	15.5	13	14	8	12	2	12	10	35	5	26	M4 x 0.7 depth 7	5	6	M8 x 1.25	24	1/8
25	Up to 200	22	19.5	17	16.5	10	14	2	12	10	40	6	31	M5 x 0.8 depth 7.5	5.5	8	M10 x 1.25	29	1/8
32	Up to 200	22	19.5	17	20	12	18	2	12	10	40	6	38	M5 x 0.8 depth 8	5.5	10	M10 x 1.25	35.5	1/8
40	Up to 200	30	27	19	26	16	25	2	13	10	50	8	47	M6 x 1 depth 12	6	14	M14 x 1.5	44	1/8

Bore size	TA	TB	TC	1 to 50 st		51 to 100 st		101 to 125 st		126 to 200 st		Female Rod End [mm]							
				S	ZZ	S	ZZ	S	ZZ	S	ZZ	Bore size	A ₁	H	MM	1 to 50 st ZZ	51 to 100 st ZZ	101 to 125 st ZZ	126 to 200 st ZZ
20	11	11	M5 x 0.8	94	131	119	156	144	181	—	—	20	8	13	M4 x 0.7	109	134	159	—
25	11	11	M6 x 0.75	94	136	119	161	144	186	169	211	25	8	14	M5 x 0.8	110	135	160	185
32	11	10	M8 x 1.0	96	138	121	163	146	188	171	213	32	12	14	M6 x 1	112	137	162	187
40	12	10	M10 x 1.25	103	155	128	180	153	205	178	230	40	13	15	M8 x 1.25	120	145	170	195

With Mounting Bracket (Note) The drawing below shows the single acting/spring return type. The rod is in retracted state for spring extend type.

Axial foot: CG1LN



Axial Foot

Bore size	Stroke range	B	M	LC	LD	LH	LT	LX	LZ	W	X	Y	Z
20	Up to 125	34	3	4	6	20	3	32	44	10	15	7	47
25	Up to 200	38.5	3.5	4	6	22	3	36	49	10	15	7	52
32	Up to 200	45	3.5	4	7	25	3	44	58	10	16	8	53
40	Up to 200	54.5	4	4	7	30	3	54	71	10	16.5	8.5	63.5

Bore size	1 to 50 st		51 to 100 st		101 to 125 st		126 to 200 st	
	LS	ZZ	LS	ZZ	LS	ZZ	LS	ZZ
20	70	135	95	160	120	185	—	—
25	70	140.5	95	165.5	120	190.5	145	215.5
32	70	142.5	95	167.5	120	192.5	145	217.5
40	76	160	101	185	126	210	151	235

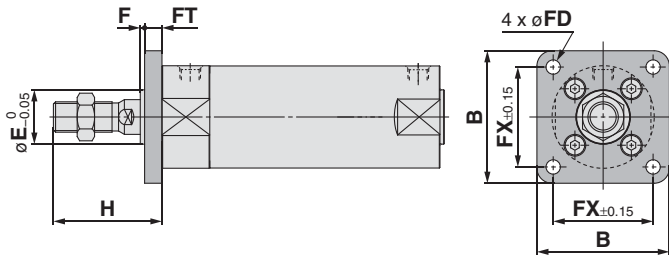
* Other dimensions are the same as basic type.

Double Acting, Single Rod **CG1**
 Standard Double Acting, Double Rod **CG1W**
 Single Acting, Spring Return/Extend **CG1**
 Non-rotating Rod Double Acting, Single Rod **CG1K**
 Double Acting, Double Rod **CG1KW**
 Direct Mount Double Acting, Single Rod **CG1R**
 Auto Switch
 Made to Order

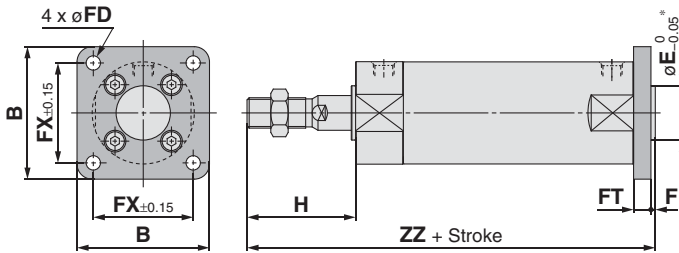
Series CG1

With Mounting Bracket

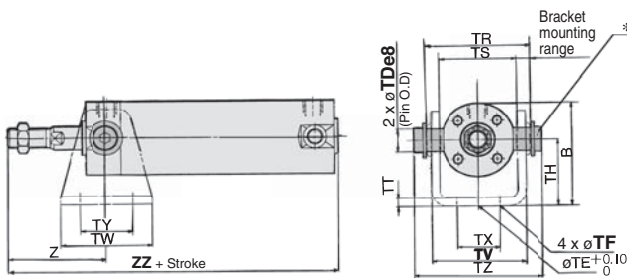
Rod flange: CG1FN



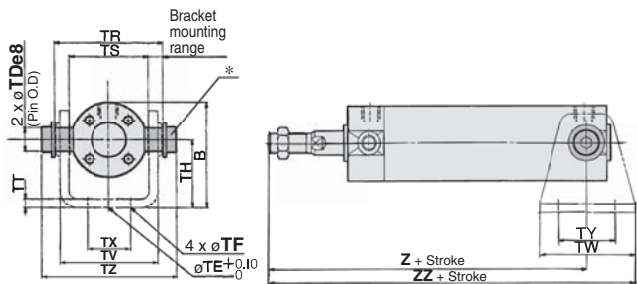
Head flange: CG1GN



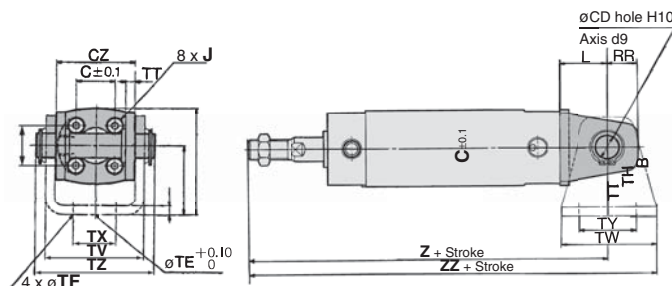
Rod trunnion: CG1UN



Head trunnion: CG1TN



Clevis: CG1DN



(The above shows the case port location is changed by 90°.)

[mm]

Bore size	Stroke range	B	E	F	FX	FD	FT	H
20	Up to 125	40	12	2	28	5.5	6	35
25	Up to 200	44	14	2	32	5.5	7	40
32	Up to 200	53	18	2	38	6.6	7	40
40	Up to 200	61	25	2	46	6.6	8	50

* End boss is machined on the flange for øE.

* Other dimensions are the same as basic type.

Rod Flange ZZ [mm]

Bore size	ZZ			
	1 to 50 st	51 to 100 st	101 to 125 st	126 to 200 st
20	131	156	181	—
25	136	161	186	211
32	138	163	188	213
40	155	180	205	230

Head Flange ZZ [mm]

Bore size	ZZ			
	1 to 50 st	51 to 100 st	101 to 125 st	126 to 200 st
20	130	162	187	—
25	143	168	193	218
32	145	170	195	220
40	163	188	213	238

[mm]

Bore size	Stroke range	B	TDe8	TE	TF	TH	TR	TS	TT	TV	TW	TX	TY	TZ
20	Up to 125	38	8 ^{-0.025} _{-0.047}	10	5.5	25	39	28	3.2	(35.8)	42	16	28	47.6
25	Up to 200	45.5	10 ^{-0.025} _{-0.047}	10	5.5	30	43	33	3.2	(39.8)	42	20	28	53
32	Up to 200	54	12 ^{-0.032} _{-0.058}	10	6.6	35	54.5	40	4.5	(49.4)	48	22	28	67.7
40	Up to 200	63.5	14 ^{-0.032} _{-0.058}	10	6.6	40	65.5	49	4.5	(58.4)	56	30	30	78.7

Rod Trunnion ZZ [mm]

Bore size	Z	ZZ			
		1 to 50 st	51 to 100 st	101 to 125 st	126 to 200 st
20	46	131	156	181	—
25	51	136	161	186	211
32	51	138	163	188	213
40	62	155	180	205	230

* Consists of pins, flat washers and hexagon socket head cap bolts.

Note) Other dimensions are the same as basic type.

Head Trunnion ZZ [mm]

Bore size	ZZ							
	1 to 50 st	51 to 100 st	101 to 125 st	126 to 200 st				
20	118	139	143	164	168	189	—	—
25	123	144	148	169	173	194	198	219
32	126	150	151	175	176	200	201	225
40	143	171	168	196	193	221	218	246

* Consists of pins, flat washers and hexagon socket head cap bolts.

Note) Other dimensions are the same as basic type.

Clevis [mm]

Bore size	Stroke range	B	CD	CZ	L	RR	TE	TF	TH	TT	TV
20	Up to 125	38	8	29	14	11	10	5.5	25	3.2	(35.8)
25	Up to 200	45.5	10	33	16	13	10	5.5	30	3.2	(39.8)
32	Up to 200	54	12	40	20	15	10	6.6	35	4.5	(49.4)
40	Up to 200	63.5	14	49	22	18	10	6.6	40	4.5	(58.4)

Bore size	TW	TX	TY	TZ	1 to 50 st	51 to 100 st	101 to 125 st	126 to 200 st				
					Z	ZZ	Z	ZZ	Z	ZZ	Z	ZZ
20	42	16	28	43.4	143	164	168	189	193	214	—	—
25	42	20	28	48	150	171	175	196	200	221	225	246
32	48	22	28	59.4	156	180	181	205	206	230	231	255
40	56	30	30	71.4	175	200	200	228	225	253	250	278

* For dimensions of pivot bracket, refer to page 17.

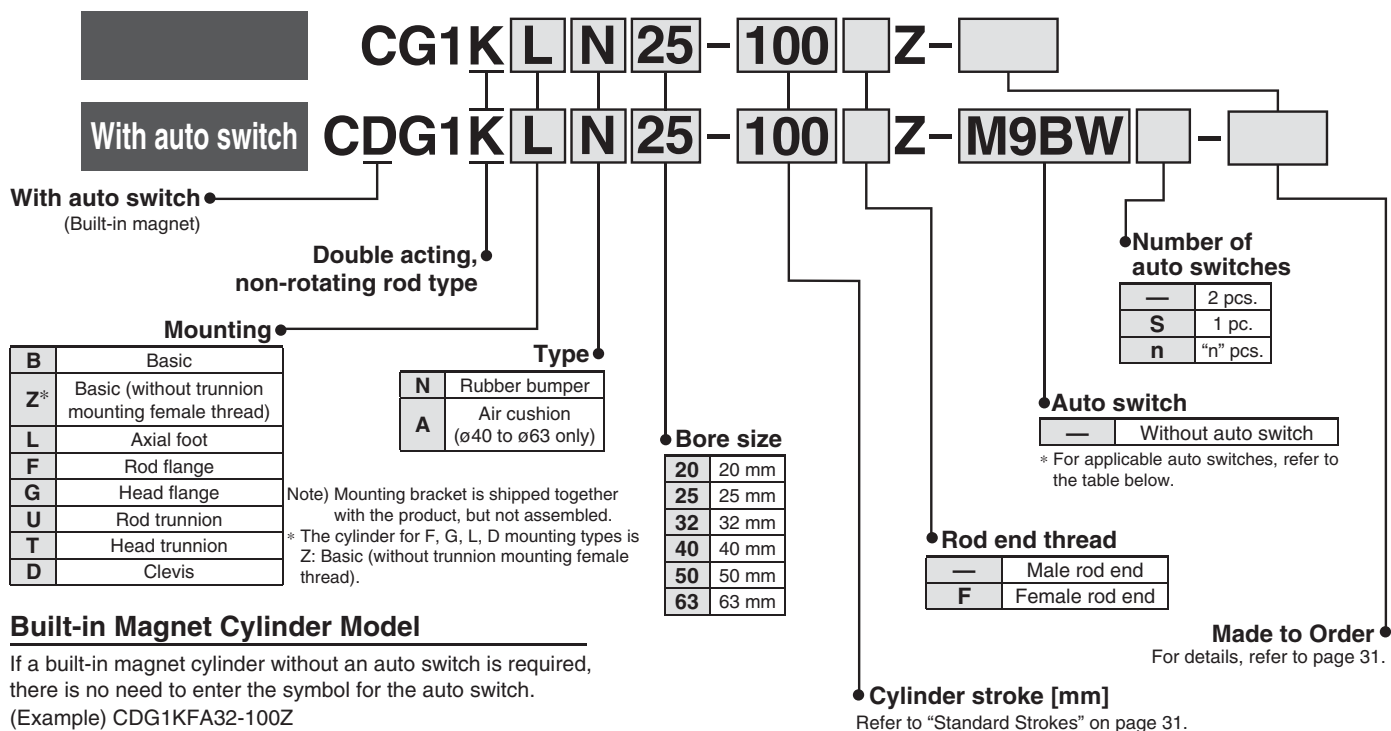
* Other dimensions are the same as basic type.

Air Cylinder: Non-rotating Rod Type Double Acting

Series **CG1K**

ø20, ø25, ø32, ø40, ø50, ø63

How to Order



Built-in Magnet Cylinder Model

If a built-in magnet cylinder without an auto switch is required, there is no need to enter the symbol for the auto switch.
(Example) CDG1KFA32-100Z

Applicable Auto Switches/Refer to the Auto Switch Guide for further information on auto switches.

Type	Special function	Electrical entry	Indicator light	Wiring (Output)	Load voltage		Auto switch model		Lead wire length [m]					Pre-wired connector	Applicable load			
					DC	AC	Applicable bore size		0.5 (—)	1 [m]	3 (L)	5 (Z)	None [N]					
							ø20 to ø63											
Solid state auto switch	—	Grommet	—	3-wire (NPN)	5 V, 12 V	—	M9NV	M9N	●	●	●	○	—	○	IC circuit			
				3-wire (PNP)			M9PV	M9P	●	●	●	○	—	○				
		Connector		2-wire	12 V	—	M9BV	M9B	●	●	●	○	—	○	—			
				—			H7C	●	—	●	●	—	—	—				
	Diagnostic indication (2-colour indication)	Grommet	Yes	3-wire (NPN)	5 V, 12 V	—	M9NV	M9N	●	●	●	○	—	○	IC circuit			
				3-wire (PNP)			M9PV	M9P	●	●	●	○	—	○				
				2-wire	12 V	—	M9BV	M9B	●	●	●	○	—	○	—			
				—			H7C	●	—	●	●	—	—	—				
				Water resistant (2-colour indication)	Grommet	—	3-wire (NPN)	5 V, 12 V	—	M9NV	M9N	○	○	●	○	—	○	IC circuit
							3-wire (PNP)			M9PV	M9P	○	○	●	○	—	○	
Diagnostic output (2-colour indication)	Grommet	—	2-wire	12 V	—	M9BV	M9B	○	○	●	○	—	○	—				
			—			H7C	○	○	●	○	—	○						
Reed auto switch	—	Grommet	Yes	3-wire (Equiv. to NPN)	5 V	—	A96V	A96	●	—	●	—	—	—	IC circuit			
				—			100 V	A93V	A93	●	—	●	●	—		—		
				Connector	2-wire	24 V	12 V	—	100 V or less	A90V	A90	●	—	●	●	—	—	IC circuit
									100 V, 200 V	—	B54	●	—	●	●	—	—	
									200 V or less	—	B64	●	—	●	—	—	—	
		Grommet		2-wire	24 V	12 V	—	—	—	C73C	●	—	●	●	—	—	—	
								—	—	C80C	●	—	●	●	●	—		—
		Diagnostic indication (2-colour indication)		Grommet	Yes	—	—	—	—	B59W	●	—	●	—	—	—	—	
						—	—	—	—	—	—	—	—	—	—	—		

** Water resistant type auto switches can be mounted on the above models, but in such case SMC cannot guarantee water resistance. Please consult with SMC regarding water resistant types with the above model numbers.

* Lead wire length symbols: 0.5 m..... — (Example) M9NW * Solid state auto switches marked with "○" are produced upon receipt of order.
 1 m..... M (Example) M9NWM
 3 m..... L (Example) M9NWL
 5 m..... Z (Example) M9NWZ
 None..... N (Example) H7CN

* Since there are other applicable auto switches than listed, refer to page 47 for details.

* For details about auto switches with pre-wired connector, refer to the Auto Switch Guide.

* The D-A9□□/M9□□□ auto switches are shipped together, (but not assembled). (However, only the auto switch mounting brackets are assembled before shipment.)

Double Acting, Single Rod CG1

Standard Double Acting, Double Rod CG1W

Single Acting, Spring Return/Extend CG1

Double Acting, Single Rod CG1K

Non-rotating Rod Double Acting, Double Rod CG1KW

Direct Mount Double Acting, Single Rod CG1R

Auto Switch

Made to Order

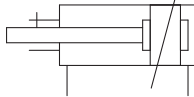
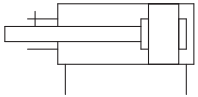
Series CG1K



Symbol

Rubber bumper

Air cushion



Made to Order

(For details, refer to pages 49 to 65.)

Symbol	Specifications
-XA□	Change of rod end shape
-XC8	Adjustable stroke cylinder/Adjustable extension type*
-XC9	Adjustable stroke cylinder/Adjustable retraction type*
-XC10	Dual stroke cylinder/Double rod type*
-XC13	Auto switch rail mounting*
-XC20	Head cover axial port*

* Only compatible with cylinders with rubber bumper.

Refer to pages 42 to 47 for cylinders with auto switches.	
·	Auto switch proper mounting position (detection at stroke end) and its mounting height
·	Minimum stroke for auto switch mounting
·	Operating range
·	Auto switch mounting brackets/Part no.

Specifications

Bore size [mm]	20	25	32	40	50	63
Action	Double acting, Single rod					
Lubricant	Not required (Non-lube)					
Fluid	Air					
Proof pressure	1.5 MPa					
Maximum operating pressure	1.0 MPa					
Minimum operating pressure	0.05 MPa					
Ambient and fluid temperature	Without auto switch: -10°C to 70°C With auto switch : -10°C to 60°C (No freezing)					
Piston speed	50 to 500 mm/s					
Stroke length tolerance	Up to 1000 st $^{+1.4}_0$ mm, Up to 1500 st $^{+1.8}_0$ mm					
Cushion	Rubber bumper, Air cushion (ø40 to ø63 only)					
Rod non-rotating accuracy	±1°	±0.8°	±0.5°			
Mounting	Basic, Basic (without trunnion mounting female thread), Axial foot, Rod flange, Head flange, Rod trunnion, Head trunnion, Clevis (used for changing the port location by 90°)					

Accessories

Mounting		Basic	Axial foot	Rod flange	Head flange	Rod trunnion	Head trunnion	Clevis
Standard	Rod end nut	●	●	●	●	●	●	●
	Clevis pin	—	—	—	—	—	—	●
Option	Single knuckle joint	●	●	●	●	●	●	●
	Double knuckle joint* (With pin)	●	●	●	●	●	●	●
	Pivot bracket	—	—	—	—	●	●	●

* A double knuckle joint pin and retaining rings are shipped together.

Weights

Bore size [mm]		20	25	32	40	50	63
Basic weight	Basic	0.10	0.17	0.26	0.41	0.77	1.07
	Axial foot	0.21	0.30	0.42	0.63	1.25	1.79
	Flange	0.18	0.27	0.40	0.61	1.11	1.57
	Trunnion	0.11	0.19	0.29	0.46	0.91	1.21
	Clevis	0.15	0.25	0.41	0.64	1.17	1.75
Pivot bracket		0.08	0.09	0.17	0.25	0.44	0.80
Single knuckle joint		0.05	0.09	0.09	0.10	0.22	0.22
Double knuckle joint (with pin)		0.05	0.09	0.09	0.13	0.26	0.26
Additional weight per 50 mm of stroke		0.05	0.07	0.09	0.15	0.22	0.26
Additional weight with air cushion		—	—	—	0.02	0.03	0.03
Additional weight for stroke		—	—	—	0.03	0.06	0.10
Weight reduction for female rod end		-0.01	-0.02	-0.02	-0.05	-0.10	-0.10

Calculation (Example) **CGIKLN20-100Z**
 (Foot, ø20, 100 stroke)
 ● Basic weight.....0.21 (Foot, ø20)
 ● Additional weight.....0.05/50 stroke
 ● Air cylinder stroke ---100 stroke
 $0.21 + 0.05 \times 100/50 = 0.31 \text{ kg}$

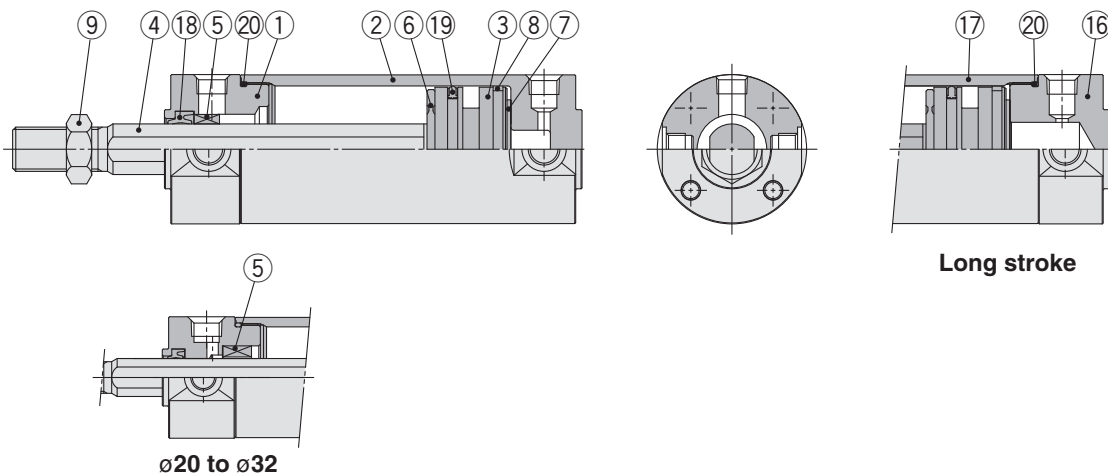
Mounting Brackets/Part No.

Mounting bracket	Order q'ty.	Bore size [mm]						Contents
		20	25	32	40	50	63	
Axial foot	2 (Note)	CG-L020	CG-L025	CG-L032	CG-L040	CG-L050	CG-L063	2 feet, 8 mounting bolts
Flange	1	CG-F020	CG-F025	CG-F032	CG-F040	CG-F050	CG-F063	1 flange, 4 mounting bolts
Trunnion pin	1	CG-T020	CG-T025	CG-T032	CG-T040	CG-T050	CG-T063	2 trunnion pins, 2 trunnion bolts, 2 flat washers
Clevis	1	CG-D020	CG-D025	CG-D032	CG-D040	CG-D050	CG-D063	1 clevis, 4 mounting bolts, 1 clevis pin, 2 retaining rings
Pivot bracket	1	CG-020-24A	CG-025-24A	CG-032-24A	CG-040-24A	CG-050-24A	CG-063-24A	1 pivot bracket

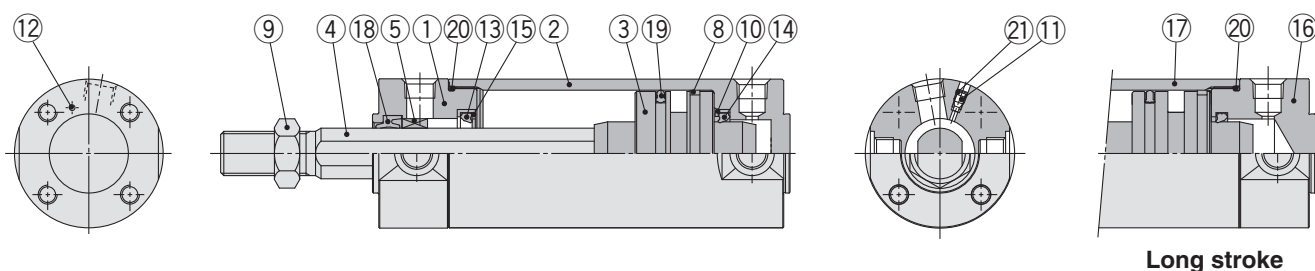
Note) Order two feet per cylinder.

Construction

With rubber bumper



With air cushion



Component Parts

No.	Description	Material	Note
1	Rod cover	Aluminium alloy	Hard Anodised
2	Tube cover	Aluminium alloy	Hard Anodised
3	Piston	Aluminium alloy	
4	Piston rod	Stainless steel	For ø20 or ø25 with built-in magnet
		Carbon steel*	Hard chrome plating*
5	Non-rotating guide	Bearing alloy	
6	Bumper	Resin	ø32 or larger is common.
7	Bumper	Resin	
8	Wear ring	Resin	
9	Rod end nut	Carbon steel	Zinc chromated
10	Seal retainer	Rolled steel	Zinc chromated
11	Cushion valve	ø40 or smaller	Carbon steel
		ø50 or larger	Steel wire
12	Steel ball	Carbon steel	
13	Cushion seal A	Urethane	ø32 or larger is common.
14	Cushion seal B	Urethane	
15	Cushion seal holder	Aluminium alloy	
16	Head cover	Aluminium alloy	Hard Anodised
17	Cylinder tube	Aluminium alloy	Hard Anodised
18	Rod seal	NBR	
19	Piston seal	NBR	
20	Tube gasket	NBR	
21	Valve seal	NBR	

Note) For cylinders with auto switches, the magnet is installed in the piston.
* The material is stainless steel for ø20 to ø32.

Replacement Parts/Seal Kit

Bore size [mm]	Kit no.	Contents
20	CG1KN20Z-PS	Set of the nos. 18, 19, 20
25	CG1KN25Z-PS	
32	CG1KN32Z-PS	
40	CG1KN40Z-PS	

Note) Refer to the Specific Product Precautions on page 5 for Disassembly/Replacement.
Order with the kit number according to the bore size.

* The seal kit includes a grease pack (10 g).
Order with the following part number when only the grease pack is needed.

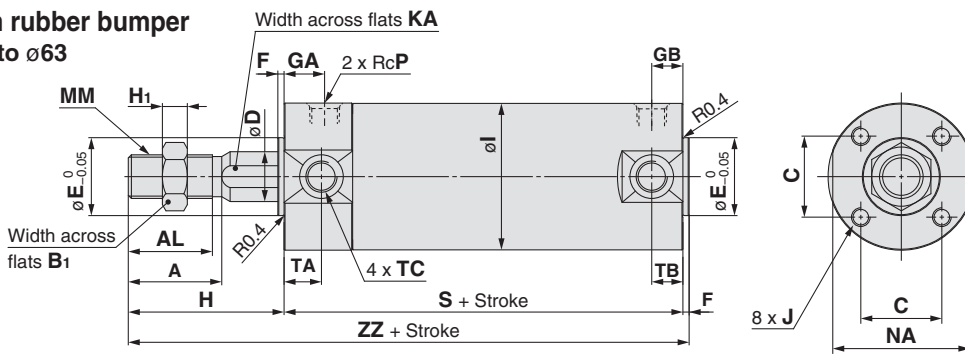
Grease pack part number: GR-S-010 (10 g)

Double Acting, Single Rod **CG1**
Standard Double Acting, Double Rod **CG1W**
Single Acting, Spring Return/Extend **CG1**
Non-rotating Rod Double Acting, Single Rod **CG1K**
Double Acting, Double Rod **CG1KW**
Direct Mount Double Acting, Single Rod **CG1R**
Auto Switch
Made to Order

Series CG1K

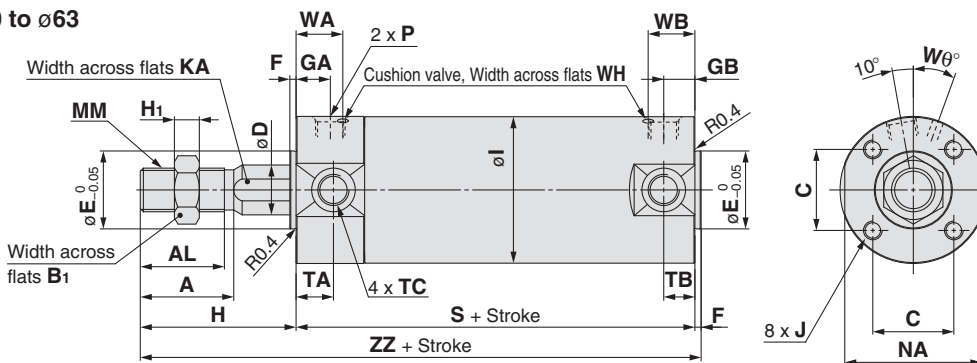
Basic

With rubber bumper ø20 to ø63



With air cushion

ø40 to ø63

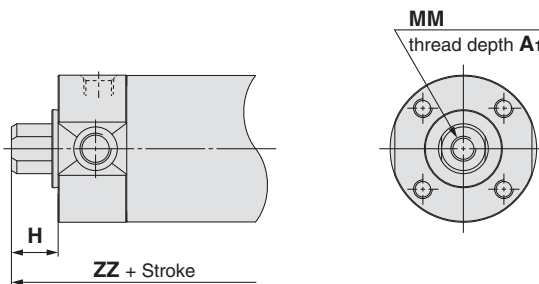


With Air Cushion [mm]

Bore size	WA	WB	Wθ	WH
40	17	15 (17)	20°	1.5
50	18	16 (18)	20°	3
63	18	17 (18)	20°	3

Note) (): Denotes the dimensions for long stroke.

Female rod end



Female Rod End [mm]

Bore size	A1	H	MM	ZZ
20	8	13	M4 x 0.7	84 (92)
25	8	14	M5 x 0.8	85 (93)
32	12	14	M6 x 1	87 (95)
40	13	15	M8 x 1.25	95 (104)
50	18	16	M10 x 1.5	108 (120)
63	18	16	M10 x 1.5	108 (120)

Bore size	Stroke range		A	AL	B1	C	D	E	F	GA	GB	H	H1	I	J	KA	MM	NA	P	S	TA	TB	TC	ZZ
	Standard	Long stroke																						
20	Up to 200	201 to 1500	18	15.5	13	14	9.2	12	2	12	10 (12)	35	5	26	M4 x 0.7 depth 7	8	M8 x 1.25	24	1/8	69 (77)	11	11	M5 x 0.8	106 (114)
25	Up to 300	301 to 1500	22	19.5	17	16.5	11	14	2	12	10 (12)	40	6	31	M5 x 0.8 depth 7.5	10	M10 x 1.25	29	1/8	69 (77)	11	11	M6 x 0.75	111 (119)
32	Up to 300	301 to 1500	22	19.5	17	20	12	18	2	12	10 (12)	40	6	38	M5 x 0.8 depth 8	10	M10 x 1.25	35.5	1/8	71 (79)	11	10 (11)	M8 x 1.0	113 (121)
40	Up to 300	301 to 1500	30	27	19	26	16	25	2	13	10 (13)	50	8	47	M6 x 1 depth 12	14	M14 x 1.5	44	1/8	78 (87)	12	10 (12)	M10 x 1.25	130 (139)
50	Up to 300	301 to 1500	35	32	27	32	20	30	2	14	12 (14)	58	11	58	M8 x 1.25 depth 16	18	M18 x 1.5	55	1/4	90 (102)	13	12 (13)	M12 x 1.25	150 (162)
63	Up to 300	301 to 1500	35	32	27	38	20	32	2	14	12 (14)	58	11	72	M10 x 1.5 depth 16	18	M18 x 1.5	69	1/4	90 (102)	13	12 (13)	M14 x 1.5	150 (162)

Note 1) Dimensions for each mounting bracket are the same as those for the CG1 standard or long stroke model. Refer to pages 9 to 14.

Note 2) (): Denotes the dimensions for long stroke.

Note 3) When the stroke exceeds the standard stroke, it is beyond the guarantee.

⚠ Precautions

Be sure to read before handling. Refer to back cover for Safety Instructions. For Actuator and Auto Switch Precautions, refer to "Handling Precaution for SMC Products" and the Operation Manual on SMC website, <http://www.smcworld.com>

Caution on Handling/Disassembly

⚠ Caution

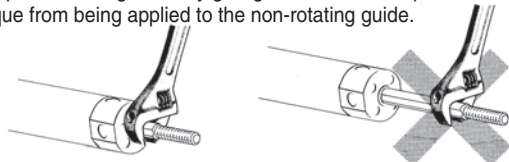
1. Avoid using the air cylinder in such a way that rotational torque would be applied to the piston rod.

- If rotational torque is applied, the non-rotating guide will become deformed, thus affecting the non-rotating accuracy. Refer to the table below for the approximate values of the allowable range of rotational torque.

Allowable rotational torque N·m or less	ø20	ø25, ø32	ø40, ø50, ø63
	0.2	0.25	0.44

- To screw a bracket or a nut onto the piston rod, make sure to retract the piston rod entirely, and place a wrench over the flat portion of the rod

that protrudes. Tighten it by giving consideration to prevent the tightening torque from being applied to the non-rotating guide.



2. When replacing rod seals, please contact SMC.

Air leakage may be happened, depending on the position in which a rod seal is fitted. Thus, please contact SMC when replacing them.

Air Cylinder: Non-rotating Rod Type Double Acting, Double Rod

Series **CG1KW**

ø20, ø25, ø32, ø40, ø50, ø63

How to Order

CG1KW L N 25 - 100 Z

With auto switch **CDG1KW L N 25 - 100 Z - M9BW**

With auto switch (Built-in magnet)
Non-rotating rod type
Double acting, double rod type

Mounting

B	Basic
Z*	Basic (without trunnion mounting female thread)
L	Axial foot
F	Flange
U	Trunnion

Type

N	Rubber bumper
----------	---------------

Bore size

20	20 mm
25	25 mm
32	32 mm
40	40 mm
50	50 mm
63	63 mm

Cylinder stroke [mm]
Refer to "Standard Strokes" on page 35.

Number of auto switches

—	2 pcs.
S	1 pc.
n	"n" pcs.

Auto switch

—	Without auto switch
---	---------------------

* For applicable auto switches, refer to the table below.

Built-in Magnet Cylinder Model

If a built-in magnet cylinder without an auto switch is required, there is no need to enter the symbol for the auto switch.
(Example) CDG1KWFN32-100Z

Applicable Auto Switches/Refer to the Auto Switch Guide for further information on auto switches.

Type	Special function	Electrical entry	Indicator light	Wiring (Output)	Load voltage		Auto switch model		Lead wire length [m]					Pre-wired connector	Applicable load				
					DC	AC	Applicable bore size		0.5 (—)	1 [m]	3 (L)	5 (Z)	None [N]		IC circuit	Relay, PLC			
							ø20 to ø63												
Solid state auto switch	—	Grommet	—	3-wire (NPN)	5 V, 12 V	—	M9NV	M9N	●	●	●	○	—	○	IC circuit	—			
				3-wire (PNP)			M9PV	M9P	●	●	●	○	—	○					
	Diagnostic indication (2-colour indication)	Connector	Yes	2-wire	12 V	—	M9BV	M9B	●	●	●	○	—	○	—	—			
				3-wire (NPN)			M9NVV	M9NV	●	●	●	○	—	○					
	Water resistant (2-colour indication)	Grommet	—	3-wire (PNP)	5 V, 12 V	—	M9PWV	M9PW	●	●	●	○	—	○	IC circuit	—			
				2-wire			M9BWW	M9BW	●	●	●	○	—	○					
	Diagnostic output (2-colour indication)	Grommet	—	Yes	3-wire (NPN)	5 V, 12 V	—	M9NAV**	M9NA**	○	○	●	○	—	○	IC circuit	—		
					3-wire (PNP)			M9PAV**	M9PA**	○	○	●	○	—	○				
					2-wire			M9BAV**	M9BA**	○	○	●	○	—	○				
					4-wire (NPN)			—	H7NF	●	—	●	○	—	○				
Reed auto switch	—	Grommet	Yes	3-wire (Equiv. to NPN)	5 V	—	A96V	A96	●	—	●	—	—	—	IC circuit	—			
				100 V			A93V	A93	●	—	●	—	—	—					
				100 V or less			A90V	A90	●	—	●	—	—	—					
				100 V, 200 V			—	B54	●	—	●	—	—	—					
		Connector	None	Yes	2-wire	24 V	12 V	—	200 V or less	—	B64	●	—	●	—	—	—	Relay, PLC	
									—	—	C73C	●	—	●	●	—			—
									—	—	C80C	●	—	●	●	●			—
									24 V or less	—	C80C	●	—	●	●	●			—
Diagnostic indication (2-colour indication)	Grommet	Yes	—	—	—	—	B59W	—	●	—	●	—	—	—	—				
							—	—	—	—	—	—	—			—	—		

** Water resistant type auto switches can be mounted on the above models, but in such case SMC cannot guarantee water resistance. Please consult with SMC regarding water resistant types with the above model numbers.

* Lead wire length symbols: 0.5 m..... — (Example) M9NW * Solid state auto switches marked with "○" are produced upon receipt of order.
 1 m..... M (Example) M9NWM
 3 m..... L (Example) M9NWL
 5 m..... Z (Example) M9NWZ
 None..... N (Example) H7CN

* Since there are other applicable auto switches than listed, refer to page 47 for details.
 * For details about auto switches with pre-wired connector, refer to the Auto Switch Guide.
 * The D-A9□□/M9□□□ auto switches are shipped together, (but not assembled). (However, only the auto switch mounting brackets are assembled before shipment.)

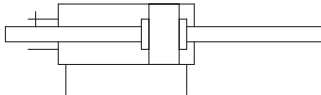
Double Acting, Single Rod **CG1**
 Double Acting, Double Rod **CG1W**
 Standard **CG1W**
 Double Acting, Double Rod **CG1**
 Single Acting, Spring Return/Extend **CG1**
 Non-rotating Rod **CG1K**
 Double Acting, Single Rod **CG1K**
 Double Acting, Double Rod **CG1KW**
 Direct Mount **CG1R**
 Double Acting, Single Rod **CG1R**
 Auto Switch **CG1R**
 Made to Order **CG1R**

Series CG1KW



Symbol

Rubber bumper



Specifications

Bore size [mm]	20	25	32	40	50	63
Action	Double acting, Double rod					
Lubricant	Not required (Non-lube)					
Fluid	Air					
Proof pressure	1.5 MPa					
Maximum operating pressure	1.0 MPa					
Minimum operating pressure	0.08 MPa					
Ambient and fluid temperature	Without auto switch: -10°C to 70°C With auto switch : -10°C to 60°C (No freezing)					
Piston speed	50 to 500 mm/s					
Stroke length tolerance	Up to 1000 st ^{+1.4} ₀ mm, Up to 1500 st ^{+1.8} ₀ mm					
Cushion	Rubber bumper					
Rod non-rotating accuracy	±1°	±0.8°	±0.8°	±0.5°	±0.5°	±0.5°
Mounting	Basic, Basic (without trunnion mounting female thread), Axial foot, Flange, Trunnion					

* Foot and flange types of cylinder bore sizes from ø20 to ø63 do not have trunnion mounting female thread. Operate the cylinder within the allowable kinetic energy. Refer to page 19 for details.

Accessories

Refer to pages 42 to 47 for cylinders with auto switches.	
·	Auto switch proper mounting position (detection at stroke end) and its mounting height
·	Minimum stroke for auto switch mounting
·	Operating range
·	Auto switch mounting brackets/Part no.

Mounting		Basic	Axial foot	Flange	Trunnion
Standard	Rod end nut	●	●	●	●
Option	Single knuckle joint	●	●	●	●
	Double knuckle joint (with pin)*	●	●	●	●
	Pivot bracket	—	—	—	●

* A double knuckle joint pin and retaining rings are shipped together.

Weights

Bore size [mm]		20	25	32	40	50	63
Basic weight	Basic	0.13	0.22	0.33	0.55	1.02	1.37
	Axial foot	0.24	0.35	0.49	0.77	1.50	2.09
	Flange	0.21	0.32	0.47	0.75	1.36	1.87
	Trunnion	0.14	0.24	0.36	0.60	1.16	1.51
Pivot bracket		0.08	0.09	0.17	0.25	0.44	0.80
Single knuckle joint		0.05	0.09	0.09	0.10	0.22	0.22
Double knuckle joint (with pin)		0.05	0.09	0.09	0.13	0.26	0.26
Additional weight per 50 mm of stroke		0.07	0.10	0.13	0.23	0.34	0.38
Weight reduction for female rod end		-0.02	-0.04	-0.04	-0.10	-0.20	-0.20

Calculation (Example) **CGIKWLN32-100Z**
 (Foot, ø32, 100 stroke)
 ● Basic weight.....0.49 (Foot, ø32)
 ● Additional weight.....0.13/50 stroke
 ● Air cylinder stroke100 stroke
 $0.49 + 0.13 \times 100/50 = 0.75 \text{ kg}$

Standard Strokes

Bore size [mm]	Standard stroke [mm] ^{Note 1)}	Long stroke [mm] ^{Note 2)}
20	25, 50, 75, 100, 125, 150, 200	201 to 1500
25	25, 50, 75, 100, 125, 150, 200, 250, 300	301 to 1500
32		
40		
50, 63		

Note 1) Manufacture of intermediate strokes at 1 mm intervals is possible. (Spacers are not used.)

Note 2) When the stroke exceeds the standard stroke, it is beyond the guarantee.

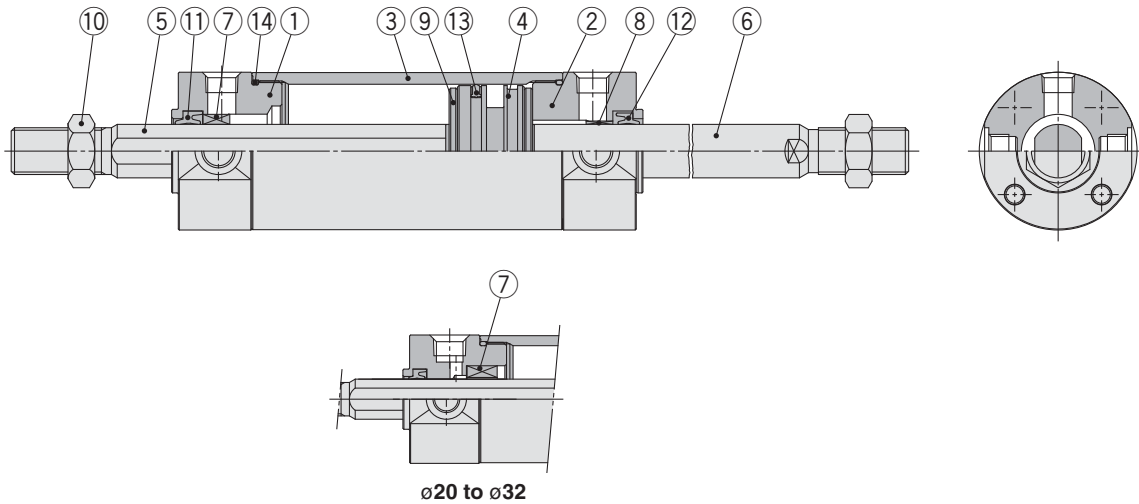
Note 3) Up to 1500 stroke can be manufactured.

Mounting Brackets/Part No.

Mounting bracket	Order q'ty	Bore size [mm]						Contents
		20	25	32	40	50	63	
Axial foot	2 ^{Note)}	CG-L020	CG-L025	CG-L032	CG-L040	CG-L050	CG-L063	2 feet, 8 mounting bolts
Flange	1	CG-F020	CG-F025	CG-F032	CG-F040	CG-F050	CG-F063	1 flange, 4 mounting bolts
Trunnion pin	1	CG-T020	CG-T025	CG-T032	CG-T040	CG-T050	CG-T063	2 trunnion pins, 2 trunnion bolts, 2 flat washers
Pivot bracket	1	CG-020-24A	CG-025-24A	CG-032-24A	CG-040-24A	CG-050-24A	CG-063-24A	1 pivot bracket

Note) Order two feet per cylinder.

Construction



Component Parts

No.	Description	Material	Note
1	Rod cover A	Aluminium alloy	Hard Anodised
2	Rod cover B	Aluminium alloy	Hard Anodised
3	Cylinder tube	Aluminium alloy	Hard Anodised
4	Piston	Aluminium alloy	
5	Piston rod A	Stainless steel	ø32 or smaller
		Carbon steel*	Hard chrome plating* ø40 or larger
6	Piston rod B	Stainless steel	For ø20 or ø25 with built-in magnet
		Carbon steel**	Hard chrome plating*
7	Non-rotating guide	Bearing alloy	
8	Bushing	Bearing alloy	
9	Bumper	Resin	
10	Rod end nut	Carbon steel	Zinc chromated
11	Rod seal A	NBR	
12	Rod seal B	NBR	
13	Piston seal	NBR	
14	Tube gasket	NBR	

* The material is stainless steel for ø20 to ø32.

** The material for ø20, ø25 cylinders with auto switches is made of stainless steel.

*** For cylinders with auto switches, the magnet is installed in the piston.

Replacement Parts/Seal Kit

Bore size [mm]	Kit no.	Contents
20	CG1KWN20Z-PS	Set of the nos. ①, ②, ⑬, ⑭
25	CG1KWN25Z-PS	
32	CG1KWN32Z-PS	
40	CG1KWN40Z-PS	

Note) Refer to the Specific Product Precautions on page 5 for Disassembly/Replacement.
Order with the kit number according to the bore size.

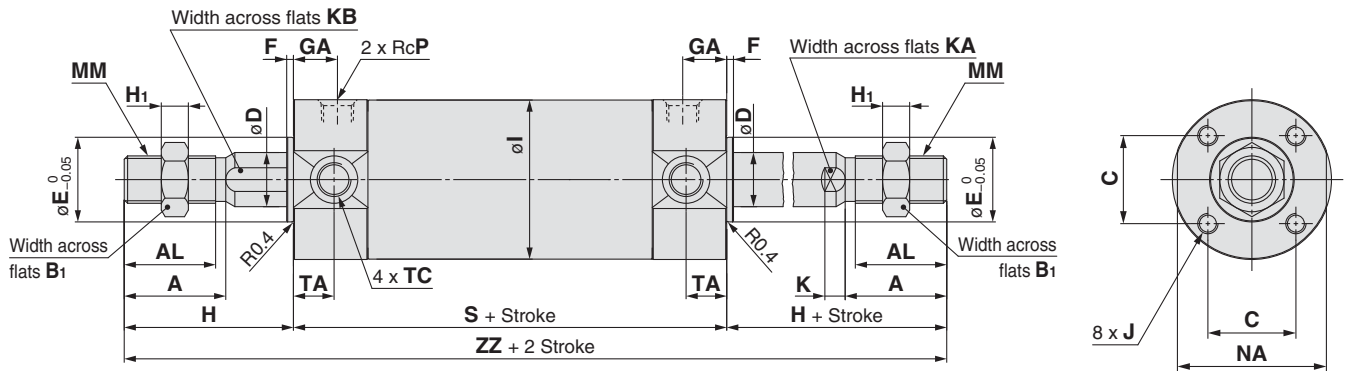
* The seal kit includes a grease pack (10 g).
Order with the following part number when only the grease pack is needed.

Grease pack part number: GR-S-010 (10 g)

Standard	Double Acting, Double Rod	CG1W
Standard	Double Acting, Single Rod	CG1
Standard	Spring Return/Extend	CG1
Non-rotating Rod	Double Acting, Single Rod	CG1K
Non-rotating Rod	Double Acting, Double Rod	CG1KW
Direct Mount	Double Acting, Single Rod	CG1R
Auto Switch		
Made to Order		

Series CG1KW

Basic with Rubber Bumper: CG1KWBN



Bore size	Stroke range	A	AL	B ₁	C	D	DK	E	F	GA	H ₁	I	J	K	KA	KB	MM	NA	P	S
20	Up to 1500	18	15.5	13	14	8	9.2	12	2	12	5	26	M4 x 0.7 depth 7	5	6	8	M8 x 1.25	24	1/8	77
25	Up to 1500	22	19.5	17	16.5	10	11	14	2	12	6	31	M5 x 0.8 depth 7.5	5.5	8	10	M10 x 1.25	29	1/8	77
32	Up to 1500	22	19.5	17	20	12	12	18	2	12	6	38	M5 x 0.8 depth 8	5.5	10	10	M10 x 1.25	35.5	1/8	79
40	Up to 1500	30	27	19	26	16	16	25	2	13	8	47	M6 x 1 depth 12	6	14	14	M14 x 1.5	44	1/8	87
50	Up to 1500	35	32	27	32	20	20	30	2	14	11	58	M8 x 1.25 depth 16	7	18	18	M18 x 1.5	55	1/4	102
63	Up to 1500	35	32	27	38	20	20	32	2	14	11	72	M10 x 1.5 depth 16	7	18	18	M18 x 1.5	69	1/4	102

Bore size	TA	TC	H	ZZ
20	11	M5 x 0.8	35	147
25	11	M6 x 0.75	40	157
32	11	M8 x 1.0	40	159
40	12	M10 x 1.25	50	187
50	13	M12 x 1.25	58	218
63	13	M14 x 1.5	58	218

Note 1) Dimensions are the same as those for the CG1W standard. Refer to pages 9 to 14.
 Note 2) When the stroke exceeds the standard stroke, it is beyond the guarantee.

⚠ Precautions

Be sure to read before handling. Refer to back cover for Safety Instructions. For Actuator and Auto Switch Precautions, refer to "Handling Precaution for SMC Products" and the Operation Manual on SMC website, <http://www.smcworld.com>

Caution on Handling/Disassembly

⚠ Caution

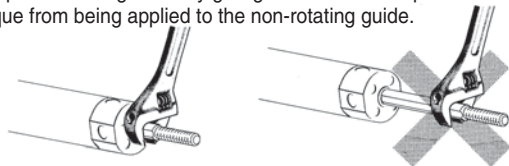
1. Avoid using the air cylinder in such a way that rotational torque would be applied to the piston rod.

- If rotational torque is applied, the non-rotating guide will become deformed, thus affecting the non-rotating accuracy. Refer to the table below for the approximate values of the allowable range of rotational torque.

Allowable rotational torque	ø20	ø25, ø32	ø40, ø50, ø63
N·m or less	0.2	0.25	0.44

- To screw a bracket or a nut onto the piston rod, make sure to retract the piston rod entirely, and place a wrench over the flat portion of the rod

that protrudes. Tighten it by giving consideration to prevent the tightening torque from being applied to the non-rotating guide.



2. When replacing rod seals, please contact SMC.

Air leakage may be happened, depending on the position in which a rod seal is fitted. Thus, please contact SMC when replacing them.

Air Cylinder: Direct Mount Type Double Acting

Series **CG1R**

ø20, ø25, ø32, ø40, ø50, ø63

How to Order

CG1R N 25 - 100 [] Z - []

With auto switch **CDG1R N 25 - 100 [] Z - M9BW [] - []**

With auto switch
(Built-in magnet)

Type

N	Rubber bumper
A	Air cushion

Bore size

20	20 mm
25	25 mm
32	32 mm
40	40 mm
50	50 mm
63	63 mm

Number of auto switches

—	2 pcs.
S	1 pc.
n	"n" pcs.

Auto switch

—	Without auto switch
----------	---------------------

Rod end thread

—	Male rod end
F	Female rod end

Cylinder stroke [mm]
Refer to "Standard Strokes" on page 39.

Made to Order
For details, refer to page 39.

Applicable Auto Switches/Refer to the Auto Switch Guide for further information on auto switches.

Type	Special function	Electrical entry	Indicator light	Wiring (Output)	Load voltage		Auto switch model		Lead wire length [m]					Pre-wired connector	Applicable load								
					DC	AC	Applicable bore size		0.5 (—)	1 [m]	3 (L)	5 (Z)	None [N]										
							ø20 to ø63	Perpendicular								In-line							
Solid state auto switch	—	Grommet	—	3-wire (NPN)	5 V, 12 V	—	M9NV	M9N	●	●	●	○	—	○	IC circuit								
				3-wire (PNP)					●	●	●	○	—	○									
		2-wire		●					●	●	○	—	○										
		—		●					—	●	●	●	—	—									
	Diagnostic indication (2-colour indication)	Grommet	Yes	3-wire (NPN)	24 V	5 V, 12 V	—	M9NWW	M9NW	●	●	●	○	—	○	IC circuit							
				3-wire (PNP)						●	●	●	○	—	○								
				2-wire						●	●	●	○	—	○								
				3-wire (NPN)						●	●	●	○	—	○								
				3-wire (PNP)						●	●	●	○	—	○								
				2-wire						●	●	●	○	—	○								
Water resistant (2-colour indication)	Grommet	—	3-wire (NPN)	5 V, 12 V	—	M9NAV**	M9NA**	○	○	●	○	—	○	IC circuit									
			3-wire (PNP)					○	○	●	○	—	○										
			2-wire					○	○	●	○	—	○										
			—					○	○	●	○	—	○										
Diagnostic output (2-colour indication)	Grommet	—	4-wire (NPN)	5 V, 12 V	—	—	H7NF	●	—	●	○	—	○	IC circuit									
			—					●	—	●	○	—	○										
Reed auto switch	—	Grommet	Yes	3-wire (Equiv. to NPN)	—	5 V	—	A96V	A96	●	—	●	—	—	IC circuit								
										None	24 V	12 V	100 V	A93V		A93	●	—	●	●	—	IC circuit	
													100 V or less	A90V		A90	●	—	●	—	—		
													100 V, 200 V	—		B54	●	—	●	●	—		—
													200 V or less	—		B64	●	—	●	—	—		
		Connector		None	24 V or less	—	—	C73C	●	—	●	●	●	—	IC circuit								
						—	—	C80C	●	—	●	●	●	—									
						—	—	B59W	●	—	●	—	—	—									
						—	—	—	—	—	—	—	—	—									
						—	—	—	—	—	—	—	—	—									

** Water resistant type auto switches can be mounted on the above models, but in such case SMC cannot guarantee water resistance. Please consult with SMC regarding water resistant types with the above model numbers.

* Lead wire length symbols: 0.5 m..... (Example) M9NV
1 m..... M (Example) M9NWM
3 m..... L (Example) M9NWL
5 m..... Z (Example) M9NWZ
None..... N (Example) H7CN

* Solid state auto switches marked with "○" are produced upon receipt of order.

* Since there are other applicable auto switches than listed, refer to page 47 for details.

* For details about auto switches with pre-wired connector, refer to the Auto Switch Guide.

* The D-A9□□/M9□□□ auto switches are shipped together, (but not assembled). (However, only the auto switch mounting brackets are assembled before shipment.)

Double Acting, Single Rod
CG1

Standard
Double Acting, Double Rod
CG1W

Single Acting, Spring Return/Extend
CG1

Non-rotating Rod
Double Acting, Single Rod
CG1K

Double Acting, Double Rod
CG1KW

Direct Mount
Double Acting, Single Rod
CG1R

Auto Switch

Made to Order

Series CG1R

The CG1R direct mount cylinder can be installed directly through the use of a square rod cover.

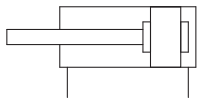
Space-saving is granted.

Because it is a directly mounted style without using brackets, its overall length is shorter, and its installation pitch can be made smaller. Thus, the space that is required for installation has been dramatically reduced.

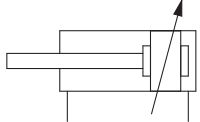


Symbol

Rubber bumper



Air cushion



Made to Order
(For details, refer to pages 49 to 65.)

Symbol	Specifications
-XC6	Made of stainless steel
-XC8	Adjustable stroke cylinder/Adjustable extension type*
-XC9	Adjustable stroke cylinder/Adjustable retraction type*
-XC13	Auto switch rail mounting*
-XC20	Head cover axial port*
-XC22	Fluororubber seal*
-XC85	Grease for food processing equipment

* Only compatible with cylinders with rubber bumper.
** Cylinders with rubber bumper have no bumper.

Refer to pages 42 to 47 for cylinders with auto switches.	
·	Auto switch proper mounting position (detection at stroke end) and its mounting height
·	Minimum stroke for auto switch mounting
·	Operating range
·	Auto switch mounting brackets/Part no.

Specifications

Bore size [mm]	20	25	32	40	50	63
Action	Double acting, Single rod					
Lubricant	Not required (Non-lube)					
Fluid	Air					
Proof pressure	1.5 MPa					
Maximum operating pressure	1.0 MPa					
Minimum operating pressure	0.05 MPa					
Ambient and fluid temperature	Without auto switch: -10°C to 70°C With auto switch : -10°C to 60°C (No freezing)					
Piston speed	50 to 1000 mm/s					
Stroke length tolerance	Up to 300 st $^{+1.4}_0$ mm					
Cushion	Rubber bumper, Air cushion					

Weights

Bore size [mm]	20	25	32	40	50	63
Basic weight	0.14	0.23	0.35	0.57	1.04	1.49
Single knuckle joint	0.05	0.09	0.09	0.10	0.22	0.22
Double knuckle joint (with pin)	0.05	0.09	0.09	0.13	0.26	0.26
Additional weight per 50 mm of stroke	0.05	0.07	0.09	0.15	0.22	0.26
Additional weight with air cushion	0.01	0.01	0.02	0.02	0.03	0.03
Weight reduction for female rod end	-0.01	-0.02	-0.02	-0.05	-0.10	-0.10

Calculation (Example) **CG1RN32-100Z**
(ø32, 100 stroke)

- Basic weight..... 0.35
- Basic weight..... 0.09/50 stroke
- Air cylinder stroke 100 stroke

$$0.35 + 0.09 \times 100/50 = 0.53 \text{ kg}$$

Accessories

Mounting		Basic
Standard	Rod end nut	●
Option	Single knuckle joint	●
	Double knuckle joint* (with pin)	●

* A double knuckle joint pin and retaining rings are shipped together.

Standard Strokes

Bore size [mm]	Standard stroke [mm]*
20	25, 50, 75, 100, 125, 150
25, 32	25, 50, 75, 100, 125, 150, 200
40, 50, 63	25, 50, 75, 100, 125, 150, 200, 250, 300

Note 1) Intermediate strokes not listed above are produced upon receipt of order.
Manufacture of intermediate strokes at 1 mm intervals is possible. (Spacers are not used.)

* For applicable long strokes, please contact SMC.

⚠ Precautions

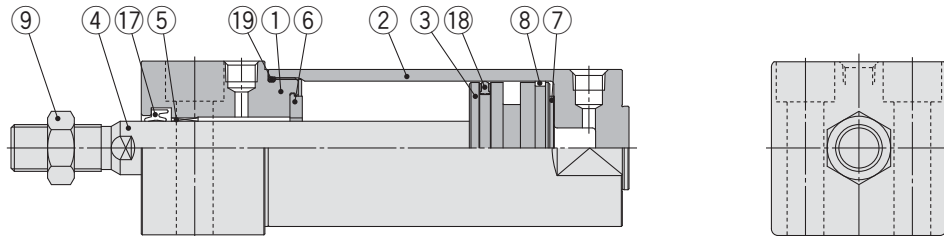
Be sure to read before handling.
Refer to back cover for Safety Instructions. For Actuator and Auto Switch Precautions, refer to "Handling Precaution for SMC Products" and the Operation Manual on SMC website, <http://www.smcworld.com>

When the cylinder is used as mounted with a single side fixed or free, a bending moment will be applied to the cylinder due to the vibration generated at the stroke end, and the cylinder may be damaged. In such a case, mount a bracket to reduce the vibration of the cylinder or use the cylinder at a piston speed low enough to prevent the cylinder from vibrating at the stroke end.

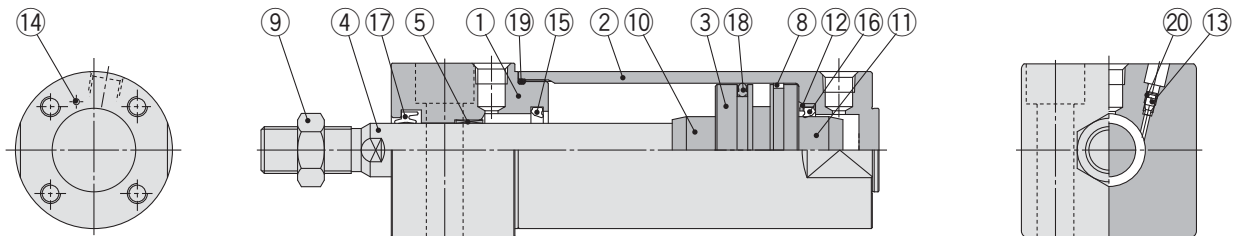
Also, use a support bracket when the cylinder body moves or when the long stroke cylinder is fixed horizontally on one side.

Construction

With rubber bumper



With air cushion



Component Parts

No.	Description	Material	Note
1	Rod cover	Aluminium alloy	Hard Anodised
2	Tube cover	Aluminium alloy	Hard Anodised
3	Piston	Aluminium alloy	
4	Piston rod	Stainless steel	For $\phi 20$ or $\phi 25$ with built-in magnet
		Carbon steel*	Hard chrome plating*
5	Bushing	Bearing alloy	
6	Bumper	Resin	$\phi 32$ or larger is common.
7	Bumper	Resin	
8	Wear ring	Resin	
9	Rod end nut	Carbon steel	Zinc chromated
10	Cushion ring A	Aluminium alloy	

No.	Description	Material	Note
11	Cushion ring B	Aluminium alloy	
12	Seal retainer	Rolled steel	Zinc chromated
13	Cushion valve	$\phi 40$ or smaller	Carbon steel
		$\phi 50$ or larger	Steel wire
			Electroless nickel plating
			Zinc chromated
14	Steel ball	Carbon steel	
15	Cushion seal A	Urethane	$\phi 32$ or larger is common.
16	Cushion seal B	Urethane	
17	Rod seal	NBR	
18	Piston seal	NBR	
19	Tube gasket	NBR	
20	Valve seal	NBR	

Note) For cylinders with auto switches, the magnet is installed in the piston.
* The material for $\phi 20$, $\phi 25$ cylinders with auto switches is made of stainless steel.

Replacement parts/Seal kit are the same as standard type, double acting, single rod. Refer to page 6.

Note) Refer to the Specific Product Precautions on page 5 for Disassembly/Replacement.

Double Acting, Single Rod
CG1

Standard
Double Acting, Double Rod
CG1W

Single Acting, Spring Return/Extend
CG1

Non-rotating Rod
Double Acting, Single Rod
CG1K

Double Acting, Double Rod
CG1KW

Direct Mount
Double Acting, Single Rod
CG1R

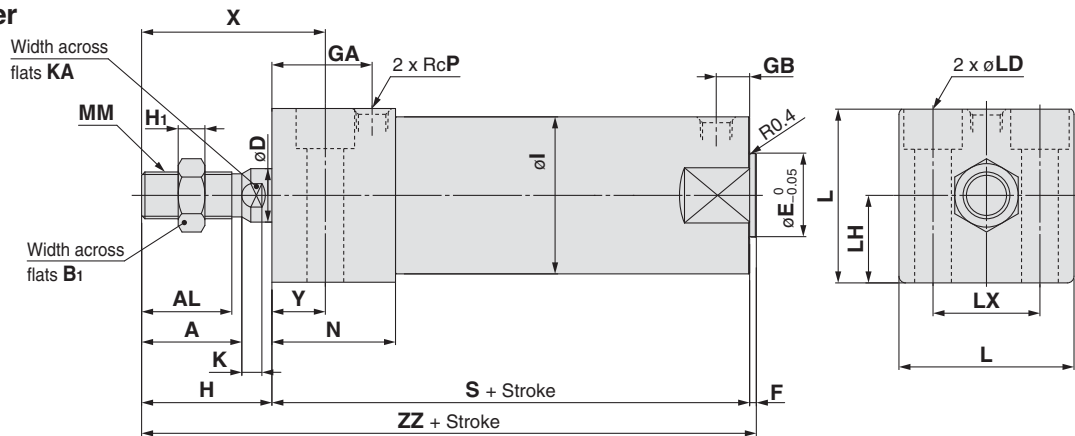
Auto Switch

Made to Order

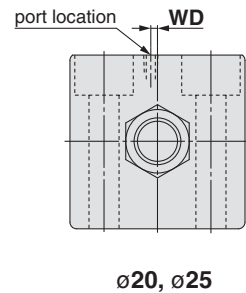
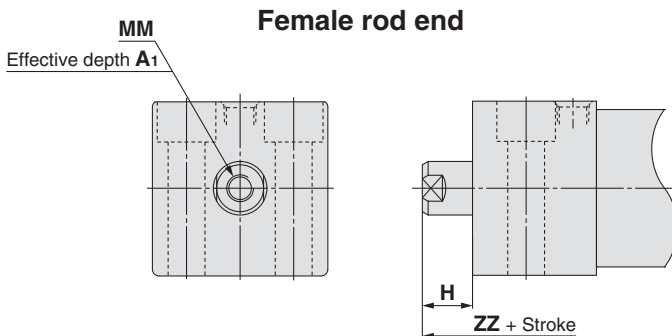
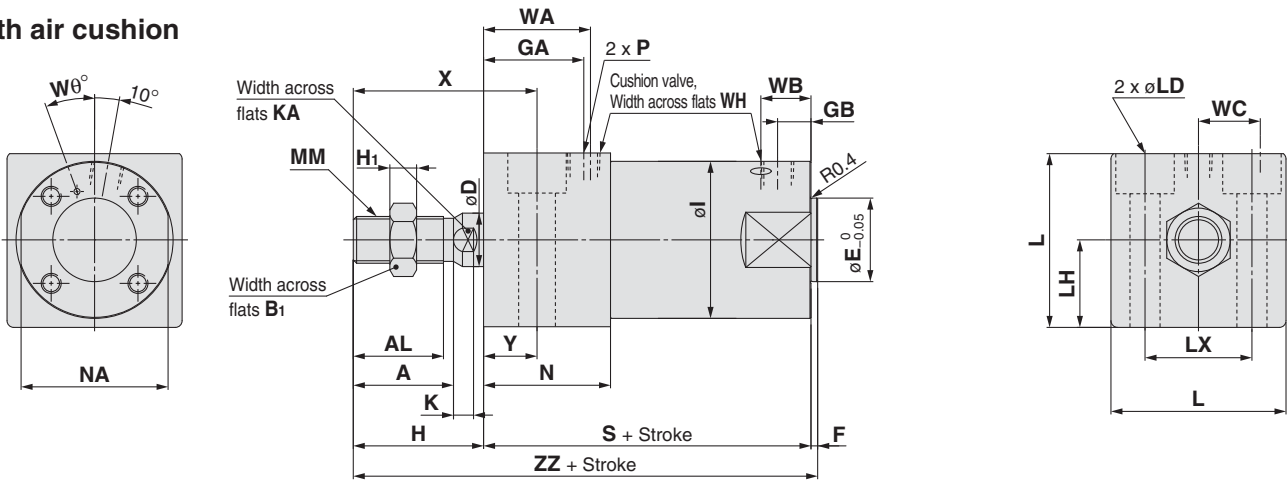
Series CG1R

Basic with Bottom Mounting

With rubber bumper



With air cushion



Bore size	Stroke range	A	AL	B ₁	D	E	F	GA	GB	H	H ₁	I	K	KA	L	LD	LH	LX	MM	N	P	S	X	Y	ZZ
20	Up to 150	18	15.5	13	8	12	2	20	10	27	5	26	5	6	30.4	ø5.5, ø9.5 depth of counterbore 6	15	18	M8 x 1.25	27	1/8	75	38	11	104
25	Up to 200	22	19.5	17	10	14	2	22	10	32	6	31	5.5	8	36.4	ø6.6, ø11 depth of counterbore 7	18	22	M10 x 1.25	29	1/8	77	44	12	111
32	Up to 200	22	19.5	17	12	18	2	26	10	32	6	38	5.5	10	42.4	ø9, ø14 depth of counterbore 9	21	24	M10 x 1.25	33	1/8	83	45	13	117
40	Up to 300	30	27	19	16	25	2	30	10	39	8	47	6	14	52.4	ø11, ø17.5 depth of counterbore 12	26	32	M14 x 1.5	37	1/8	94	55	16	135
50	Up to 300	35	32	27	20	30	2	33	12	45	11	58	7	18	64.5	ø14, ø20 depth of counterbore 14	32	41	M18 x 1.5	44	1/4	108	62	17	155
63	Up to 300	35	32	27	20	32	2	39	12	45	11	72	7	18	76.6	ø18, ø26 depth of counterbore 18	38	46	M18 x 1.5	50	1/4	114	64	19	161

With Air Cushion

Bore size	Stroke range	P	WA	WB	WC	WD	Wø	WH
20	Up to 150	M5 x 0.8	22	15	5.5	2	25°	1.5
25	Up to 200	M5 x 0.8	24	14.5	7	2	25°	1.5
32	Up to 200	Rc1/8	28	14	11.5	—	25°	1.5
40	Up to 300	Rc1/8	32	15	15	—	20°	1.5
50	Up to 300	Rc1/4	36	16	17.5	—	20°	3
63	Up to 300	Rc1/4	42	17	20.5	—	20°	3

Female Rod End

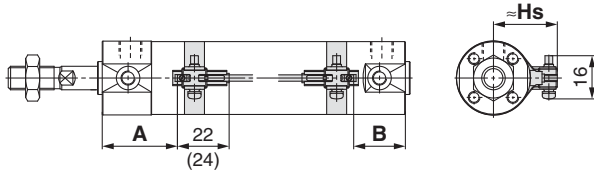
Bore size	A ₁	H	MM	ZZ
20	8	13	M4 x 0.7	90
25	8	14	M5 x 0.8	93
32	12	14	M6 x 1	99
40	13	15	M8 x 1.25	111
50	18	16	M10 x 1.5	126
63	18	16	M10 x 1.5	132

Series CG1

Auto Switch Mounting

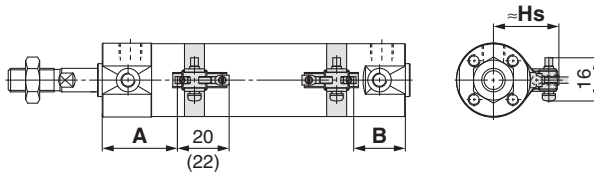
Auto Switch Proper Mounting Position (Detection at stroke end) and Its Mounting Height

Solid state auto switch
D-M9□/M9□W, D-M9□A
 ø20 to ø63



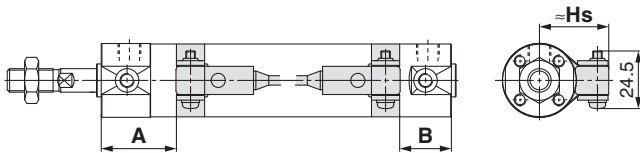
(): Dimension of the D-M9□A
 A and B are the dimensions from the end of the head cover/rod cover to the end of the auto switch.

D-M9□V/M9□WV, D-M9□AV
 ø20 to ø63

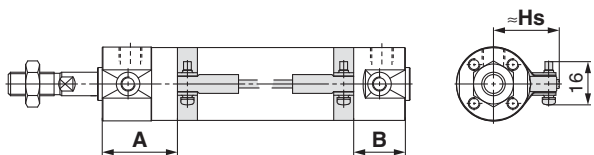


(): Dimension of the D-M9□AV
 A and B are the dimensions from the end of the head cover/rod cover to the end of the auto switch.

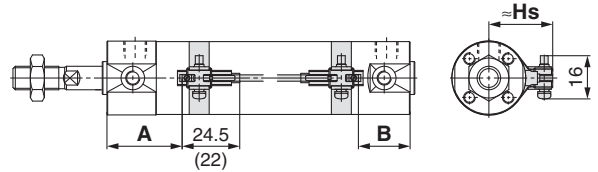
D-G5/K5/G5□W/G5BA
D-K59W, D-G59F, D-G5NT
 ø20 to ø100



D-H7□/H7□W
D-H7NF/H7BA/D-H7C
 ø20 to ø63

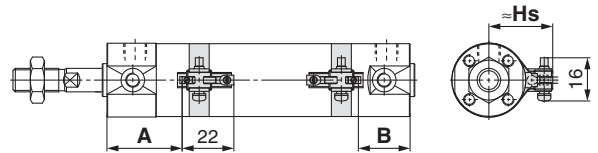


Reed auto switch
D-A9□
 ø20 to ø63



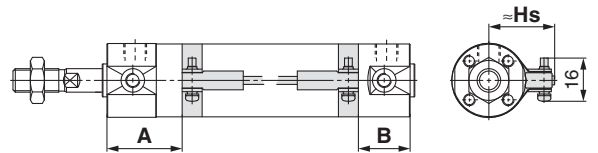
(): Dimension of the D-A9□
 A and B are the dimensions from the end of the head cover/rod cover to the end of the auto switch.

D-A9□V
 ø20 to ø63

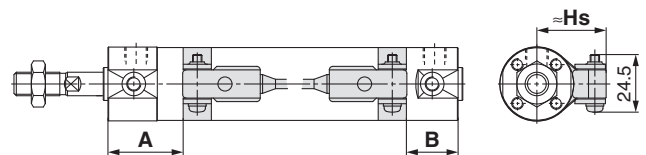


A and B are the dimensions from the end of the head cover/rod cover to the end of the auto switch.

D-C7/C8, D-C73C/C80C
 ø20 to ø63



D-B5/B6/B59W
 ø20 to ø100



Auto Switch Mounting Height

[mm]

Auto switch model	D-M9□V D-M9□WV D-M9□AV D-A9□V	D-M9□ D-M9□W D-M9□A D-A9□	D-H7□ D-H7□W D-H7NF D-H7BA D-C7/C8	D-C73C D-C80C	D-G5/K5 D-G5□W D-K59W D-B5/B6 D-B59W	D-G5NT D-G59F D-H7C D-G5BA
	Hs	Hs	Hs	Hs	Hs	Hs
20	25.5	24.5	27	27	27.5	27.5
25	28	27	29.5	29.5	30	30
32	31.5	30.5	33	33	33.5	33.5
40	36	35	37.5	37.5	38	38
50	41.5	40.5	43	43	43.5	43.5
63	48.5	47.5	50	50	50.5	50.5
80	—	—	—	—	59	59
100	—	—	—	—	69.5	69.5

Double Acting, Single Rod CG1
 Standard Double Acting, Double Rod CG1W
 Single Acting, Spring Return/Extend CG1
 Non-rotating Rod Double Acting, Single Rod CG1K
 Double Acting, Double Rod CG1KW
 Direct Mount Double Acting, Single Rod CG1R
 Auto Switch
 Made to Order

Series CG1

Auto Switch Proper Mounting Position (Detection at stroke end)

Auto Switch Proper Mounting Position/Except Single Acting and Direct Mount Type (CG1R)

[mm]

Auto switch model Bore size	D-M9□ D-M9□V D-M9□W D-M9□WV D-M9□A D-M9□AV		D-A9□ D-A9□V		D-H7□W D-H7NF D-H7BA D-H7□ D-H7C		D-C7□ D-C80 D-C73C D-C80C		D-G5□/K59 D-G5□W/K59W D-G59F D-G5NT D-G5BA		D-B5□ D-B64		D-B59W	
	A	B	A	B	A	B	A	B	A	B	A	B	A	B
20	33	24 (32)	29	20 (28)	28.5	19.5 (27.5)	29.5	20.5 (28.5)	25	16 (24)	23.5	14.5 (22.5)	26.5	17.5 (23.5)
25	32.5	24.5 (32.5)	28.5	20.5 (28.5)	28	20 (28)	29	21 (29)	24.5	16.5 (24.5)	23	15 (23)	26	18 (26)
32	34	25 (33)	30	21 (29)	29.5	20.5 (28.5)	30.5	21.5 (29.5)	26	17 (25)	24.5	15.5 (23.5)	27.5	18.5 (26.5)
40	39	27 (36)	35	23 (32)	34.5	22.5 (31.5)	35.5	23.5 (32.5)	31	19 (28)	29.5	17.5 (26.5)	32.5	20.5 (29.5)
50	46	32 (44)	42	28 (40)	41.5	27.5 (39.5)	42.5	28.5 (40.5)	38	24 (36)	36.5	22.5 (34.5)	39.5	25.5 (37.5)
63	44.5	33.5 (45.5)	40.5	29.5 (41.5)	40	29 (41)	41	30 (42)	36.5	25.5 (37.5)	35	24 (36)	38	27 (39)
80	—	—	—	—	—	—	—	—	49.5	30.5 (44.5)	48	29 (43)	51	32 (46)
100	—	—	—	—	—	—	—	—	48.5	31.5 (45.5)	47	30 (44)	50	33 (47)

Note 1) Figures in parentheses are for the long stroke type.

Note 2) Adjust the auto switch after confirming the operating condition in the actual setting.

Auto Switch Proper Mounting Position (Detection at stroke end)

Single Acting, Spring Return Type (S)/Spring Extend Type (T)

Auto Switch Proper Mounting Position/Single Acting, Spring Return Type (S)

[mm]

Auto switch model	Bore size	A dimensions				B
		Up to 50 st	51 to 100 st	101 to 125 st	126 to 200 st	
D-M9□(V) D-M9□W(V) D-M9□A(V)	20	58	83	108	—	24
	25	57.5	82.5	107.5	132.5	24.5
	32	59	84	109	134	25
	40	64	89	114	139	27
D-A9□(V)	20	54	79	104	—	20
	25	53.5	78.5	103.5	128.5	20.5
	32	55	80	105	130	21
	40	60	85	110	135	23
D-H7□ D-H7□W D-H7C D-H7BA D-H7NF	20	53.5	78.5	103.5	—	19.5
	25	53	78	103	128	20
	32	54.5	79.5	109.5	129.5	20.5
	40	59.5	84.5	109.5	134.5	22.5
D-C7□ D-C80 D-C73C D-C80C	20	54.5	79.5	104.5	—	20.5
	25	54	79	104	129	21
	32	55.5	80.5	105.5	130.5	21.5
	40	60.5	85.5	110.5	135.5	23.5
D-G5NT D-G59F	20	50	75	100	—	16
	25	49.5	74.5	99.5	124.5	16.5
	32	51	76	101	126	17
	40	56	81	106	131	19
D-B5□ D-B64	20	48.5	73.5	98.5	—	14.5
	25	48	73	98	123	15
	32	49.5	74.5	99.5	124.5	15.5
	40	54.5	79.5	104.5	129.5	17.5
D-B59W	20	51.5	76.5	101.5	—	17.5
	25	51	76	101	126	18
	32	52.5	77.5	102.5	127.5	18.5
	40	57.5	82.5	107.5	132.5	20.5

Note) Adjust the auto switch after confirming the operating condition in the actual setting.

Auto Switch Proper Mounting Position/Single Acting, Spring Extend Type (T) [mm]

Auto switch model	Bore size	A	B dimensions			
			Up to 50 st	51 to 100 st	101 to 125 st	126 to 200 st
D-M9□(V) D-M9□W(V) D-M9□A(V)	20	33	49	74	99	—
	25	32.5	49.5	74.5	99.5	124.5
	32	34	50	75	100	125
	40	39	52	77	102	127
D-A9□(V)	20	29	45	70	95	—
	25	28.5	45.5	70.5	95.5	120.5
	32	30	46	71	96	121
	40	35	48	73	98	123
D-H7□ D-H7□W D-H7C D-H7BA D-H7NF	20	28.5	44.5	69.5	94.5	—
	25	29	45	70	95	120
	32	29.5	45.5	70.5	95.5	120.5
	40	34.5	47.5	72.5	97.5	122.5
D-C7□ D-C80 D-C73C D-C80C	20	29.5	45.5	70.5	95.5	—
	25	29	46	71	96	121
	32	30.5	46.5	71.5	96.5	121.5
	40	35.5	48.5	73.5	98.5	123.5
D-G5NT D-G59F	20	25	41	66	91	—
	25	24.5	41.5	66.5	91.5	116.5
	32	26	42	67	92	117
	40	31	44	69	94	119
D-B5□ D-B64	20	23.5	39.5	64.5	89.5	—
	25	23	40	65	90	115
	32	24.5	40.5	65.5	90.5	115.5
	40	29.5	42.5	67.5	92.5	117.5
D-B59W	20	26.5	42.5	67.5	92.5	—
	25	26	43	68	93	118
	32	27.5	43.5	68.5	93.5	118.5
	40	32.5	45.5	70.5	95.5	120.5

Note) Adjust the auto switch after confirming the operating condition in the actual setting.

Auto Switch Proper Mounting Position (Detection at stroke end)

Auto Switch Proper Mounting Position/Direct Mount Type (CG1R) [mm]

Auto switch model	D-M9□ D-M9□V D-M9□W D-M9□WV D-M9□A D-M9□AV		D-A9□ D-A9□V		D-H7□W D-H7NF D-H7BA D-H7□ D-H7C		D-C7□ D-C80 D-C73C D-C80C		D-G59F D-G5NT		D-B5□ D-B64		D-B59W	
	A	B	A	B	A	B	A	B	A	B	A	B	A	B
20	12	24	8	20	7.5	19.5	8.5	20.5	4	16	2.5	14.5	5.5	17.5
25	11.5	24.5	7.5	20.5	7	20	8	21	3.5	16.5	2	15	5	18
32	13	25	9	21	8.5	20.5	9.5	21.5	5	17	3.5	15.5	6.5	18.5
40	18	27	14	23	13.5	22.5	14.5	23.5	10	19	8.5	17.5	11.5	20.5
50	20	32	16	28	17.5	27.5	16.5	28.5	14	24	10.5	22.5	13.5	25.5
63	18.5	33.5	14.5	29.5	16	29	15	30	12.5	25.5	8	24	12	27

Note) Adjust the auto switch after confirming the operating condition in the actual setting.

Double Acting, Single Rod **CG1**
 Double Acting, Double Rod **CG1W**
 Single Acting, Spring Return/Extend **CG1**
 Double Acting, Single Rod **CG1K**
 Double Acting, Double Rod **CG1KW**
 Double Acting, Single Rod **CG1R**
 Auto Switch
 Made to Order

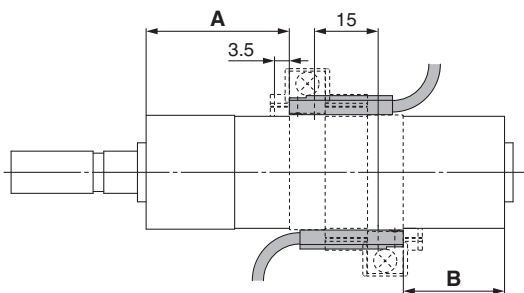
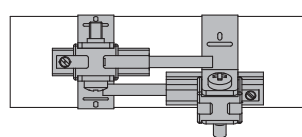
Minimum Stroke for Auto Switch Mounting

n: Number of auto switches [mm]

Auto switch model	Number of auto switches				
	With 1 pc.	With 2 pcs.		With n pcs.	
		Different surfaces	Same surface	Different surfaces	Same surface
D-M9□	5	15 <small>Note 1)</small>	40 <small>Note 1)</small>	$20 + 35 \frac{(n-2)}{2}$ <small>(n = 2, 4, 6...)</small> <small>Note 3)</small>	$55 + 35 (n - 2)$ <small>(n = 2, 3, 4, 5...)</small>
D-M9□W	10	15 <small>Note 1)</small>	40 <small>Note 1)</small>	$20 + 35 \frac{(n-2)}{2}$ <small>(n = 2, 4, 6...)</small> <small>Note 3)</small>	$55 + 35 (n - 2)$ <small>(n = 2, 3, 4, 5...)</small>
D-M9□A	10	25	40 <small>Note 1)</small>	$25 + 35 \frac{(n-2)}{2}$ <small>(n = 2, 4, 6...)</small> <small>Note 3)</small>	$60 + 35 (n - 2)$ <small>(n = 2, 3, 4, 5...)</small>
D-A9□	5	15	30 <small>Note 1)</small>	$15 + 35 \frac{(n-2)}{2}$ <small>(n = 2, 4, 6...)</small> <small>Note 3)</small>	$50 + 35 (n - 2)$ <small>(n = 2, 3, 4, 5...)</small>
D-M9□V	5	20	35	$20 + 35 \frac{(n-2)}{2}$ <small>(n = 2, 4, 6...)</small> <small>Note 3)</small>	$35 + 35 (n - 2)$ <small>(n = 2, 3, 4, 5...)</small>
D-A9□V	5	15	25	$15 + 35 \frac{(n-2)}{2}$ <small>(n = 2, 4, 6...)</small> <small>Note 3)</small>	$25 + 35 (n - 2)$ <small>(n = 2, 3, 4, 5...)</small>
D-M9□WV D-M9□AV	10	20	35	$20 + 35 \frac{(n-2)}{2}$ <small>(n = 2, 4, 6...)</small> <small>Note 3)</small>	$35 + 35 (n - 2)$ <small>(n = 2, 3, 4, 5...)</small>
D-C7□ D-C80	5	15	50	$15 + 45 \frac{(n-2)}{2}$ <small>(n = 2, 4, 6...)</small> <small>Note 3)</small>	$50 + 45 (n - 2)$ <small>(n = 2, 3, 4, 5...)</small>
D-H7□ D-H7□W D-H7BA D-H7NF	10	15	60	$15 + 45 \frac{(n-2)}{2}$ <small>(n = 2, 4, 6...)</small> <small>Note 3)</small>	$60 + 45 (n - 2)$ <small>(n = 2, 3, 4, 5...)</small>
D-C73C D-C80C D-H7C	5	15	65	$15 + 50 \frac{(n-2)}{2}$ <small>(n = 2, 4, 6...)</small> <small>Note 3)</small>	$65 + 50 (n - 2)$ <small>(n = 2, 3, 4, 5...)</small>
D-B5□ D-B64 D-G5□ D-K59□	5	15	75	$15 + 50 \frac{(n-2)}{2}$ <small>(n = 2, 4, 6...)</small> <small>Note 3)</small>	$75 + 55 (n - 2)$ <small>(n = 2, 3, 4, 5...)</small>
D-B59W	10	20	75	$20 + 50 \frac{(n-2)}{2}$ <small>(n = 2, 4, 6...)</small> <small>Note 3)</small>	$75 + 55 (n - 2)$ <small>(n = 2, 3, 4, 5...)</small>

Note 1) Auto switch mounting

Note 3) When "n" is an odd number, an even number that is one larger than this odd number is used for the calculation.

Auto switch model	With 2 auto switches	
	Different surfaces	Same surface
	 <p>Correct auto switch mounting position is 3.5 mm from the back face of the switch holder.</p>	 <p>The auto switch is mounted by slightly displacing it in a direction (cylinder tube circumferential exterior) so that the auto switch and lead wire do not interfere with each other.</p>
D-M9□ D-M9□W	Less than 20 stroke <small>Note 2)</small>	Less than 55 stroke <small>Note 2)</small>
D-M9□A	Less than 20 stroke <small>Note 2)</small>	Less than 60 stroke <small>Note 2)</small>
D-A9□	—	Less than 50 stroke <small>Note 2)</small>

Note 2) Minimum stroke for auto switch mounting in styles other than those mentioned in Note 1.

Auto Switch Mounting Brackets/Part No.

Auto switch model	Bore size [mm]							
	20	25	32	40	50	63	80	100
D-M9□(V) D-M9□W(V) D-A9□(V)	BMA3-020 (A set of a, b, c, d)	BMA3-025 (A set of a, b, c, d)	BMA3-032 (A set of a, b, c, d)	BMA3-040 (A set of a, b, c, d)	BMA3-050 (A set of a, b, c, d)	BMA3-063 (A set of a, b, c, d)	—	—
D-M9□A(V) <small>Note 2)</small>	BMA3-020S (A set of b, c, d, e)	BMA3-025S (A set of b, c, d, e)	BMA3-032S (A set of b, c, d, e)	BMA3-040S (A set of b, c, d, e)	BMA3-050S (A set of b, c, d, e)	BMA3-063S (A set of b, c, d, e)	—	—
<p style="text-align: center;">* Band (c) is mounted so that the projected part is on the internal side (contact side with the tube).</p>								
D-C7□/C80 D-C73C/C80C D-H7□ D-H7□W D-H7NF	BMA2-020A (A set of band and screw)	BMA2-025A (A set of band and screw)	BMA2-032A (A set of band and screw)	BMA2-040A (A set of band and screw)	BMA2-050A (A set of band and screw)	BMA2-063A (A set of band and screw)	—	—
D-H7BA	BMA2-020AS (A set of band and screw)	BMA2-025AS (A set of band and screw)	BMA2-032AS (A set of band and screw)	BMA2-040AS (A set of band and screw)	BMA2-050AS (A set of band and screw)	BMA2-063AS (A set of band and screw)	—	—
D-B5□/B64 D-B59W D-G5□/K59 D-G5□W/K59W D-G5BA/G59F D-G5NT D-G5NB	BA-01 (A set of band and screw)	BA-02 (A set of band and screw)	BA-32 (A set of band and screw)	BA-04 (A set of band and screw)	BA-05 (A set of band and screw)	BA-06 (A set of band and screw)	BA-08 (A set of band and screw)	BA-10 (A set of band and screw)

Note 1) Since the switch bracket (made from nylon) are affected in an environment where alcohol, chloroform, methylamines, hydrochloric acid or sulfuric acid is splashed over, so it cannot be used.
Please contact SMC regarding other chemicals.

Note 2) Avoid the indicator LED for mounting the switch bracket. As the indicator LED is projected from the switch unit, indicator LED may be damaged if the switch bracket is fixed on the indicator LED.

Band Mounting Brackets Set Part No.

Set part no.	Contents
BM2-□□□A(S) <small>* S: Stainless steel screw</small>	· Auto switch mounting band (c) · Auto switch mounting screw (d)
BJ4-1	· Switch bracket (White/PBT) (e) · Switch holder (b)
BJ5-1	· Switch bracket (Transparent/Nylon) (a) · Switch holder (b)

[Stainless Steel Mounting Screw]

The following stainless steel mounting screw kit is available. Use it in accordance with the operating environment.
(Since the auto switch mounting bracket is not included, order it separately.)

BBA3: D-B5/B6/G5/K5 types

Note 3) Refer to **the WAuto Switch Guide** for details on the BBA3.

When the D-G5BA type auto switch is shipped independently, the BBA3 is attached.

Double Acting, Single Rod **CG1**

Standard Double Acting, Double Rod **CG1W**

Single Acting, Spring Return/Extend **CG1**

Non-rotating Rod Double Acting, Single Rod **CG1K**

Double Acting, Double Rod **CG1KW**

Direct Mount Double Acting, Single Rod **CG1R**

Auto Switch

Made to Order

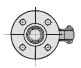
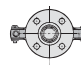

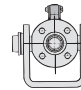
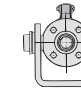
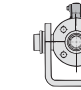
Series CG1

Operating Range

Auto switch model	Bore size							
	20	25	32	40	50	63	80	100
D-M9□(V) D-M9□W(V) D-M9□A(V)	4.5	5.0	4.5	5.5	5.0	5.5	—	—
D-A9□	7	6	8	8	8	9	—	—
D-C7/C80 D-C73C/C80C	8	10	9	10	10	11	—	—
D-B5□/B64	8	10	9	10	10	11	11	11
D-B59W	13	13	14	14	14	17	16	18
D-H7□/H7□W D-H7NF/H7BA	4	4	4.5	5	6	6.5	—	—
D-H7C	7	8.5	9	10	9.5	10.5	—	—
D-G5□/G5□W/G59F D-G5BA/K59/K59W	4	4	4.5	5	6	6.5	6.5	7
D-G5NT	4	4	4.5	5	6	6.5	6.5	7
D-G5NB	35	40	40	45	45	45	45	50

* Values which include hysteresis are for guideline purposes only, they are not a guarantee (assuming approximately ±30% dispersion) and may change substantially depending on the ambient environment.

Cylinder Mounting Bracket, by Stroke/Auto Switch Mounting Surfaces

Auto switch model	Basic, Foot, Flange, Clevis			Trunnion		
	With 1 pc. (Rod cover side)	With 2 pcs. (Different surfaces)	With 2 pcs. (Same surface)	With 1 pc. (Rod cover side)	With 2 pcs. (Different surfaces)	With 2 pcs. (Same surface)
Auto switch mounting surface	Port surface 	Port surface 	Port surface 			
Auto switch type						
D-M9□(V) D-M9□W(V) D-M9□A(V) D-A9□	10 st or more	15 to 44 st	45 st or more	10 st or more	15 to 44 st	45 st or more
D-C7/C8	10 st or more	15 to 49 st	50 st or more	10 st or more	15 to 49 st	50 st or more
D-H7□/H7□W D-H7BA/H7NF	10 st or more	15 to 59 st	60 st or more	10 st or more	15 to 59 st	60 st or more
D-C73C/C80C/H7C	10 st or more	15 to 64 st	65 st or more	10 st or more	15 to 64 st	65 st or more
D-B5/B6/G5/K5 D-G5□W/K59W/G5BA D-G59F/G5NT	10 st or more	15 to 74 st	75 st or more	10 st or more	15 to 74 st	75 st or more
D-B59W	15 st or more	20 to 74 st	75 st or more	15 st or more	20 to 74 st	75 st or more

* Trunnion type is not available for ø80 and ø100.

Other than the applicable auto switches listed in “How to Order”, the following auto switches are mountable.

Refer to the **Auto Switch Guide** for the detailed specifications.

Type	Model	Electrical entry	Features	Applicable bore size [mm]
Solid state	D-H7A1, H7A2, H7B	Grommet (In-line)	—	ø20 to ø63
	D-H7NW, H7PW, H7BW		Diagnostic indication (2-colour indication)	
	D-H7BA		Water resistant (2-colour indication)	
	D-G5NT		With timer	ø20 to ø100
Reed	D-C73, C76		—	ø20 to ø63
	D-C80		Without indicator light	
	D-B53		—	ø20 to ø100

* With pre-wired connector is also available for solid state auto switches. For details, refer to the **Auto Switch Guide**.

* Normally closed (NC = b contact) solid state auto switches (D-F9G/F9H) are also available. For details, refer to the **Auto Switch Guide**.

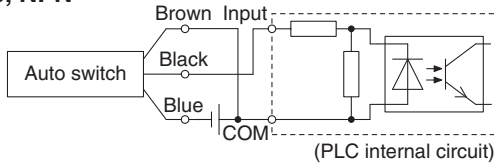
* Wide range detection type, solid state auto switch (D-G5NB) is also available. For details, refer to the **Auto Switch Guide**.

Prior to Use

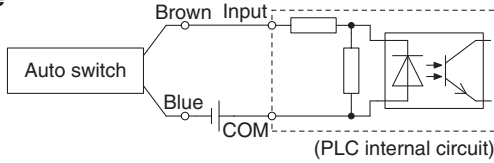
Auto Switch Connection and Example

Sink Input Specifications

3-wire, NPN

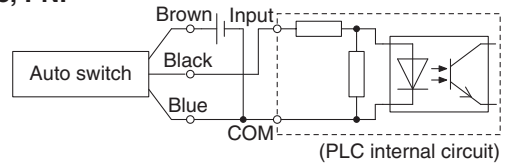


2-wire

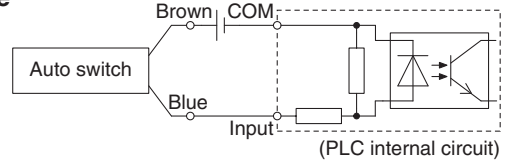


Source Input Specifications

3-wire, PNP



2-wire

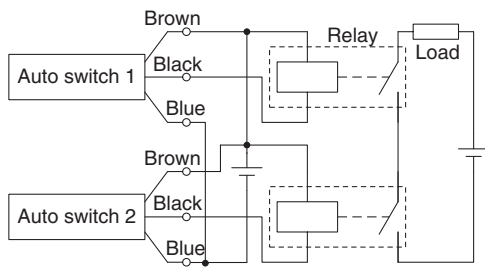


Connect according to the applicable PLC input specifications, as the connection method will vary depending on the PLC input specifications.

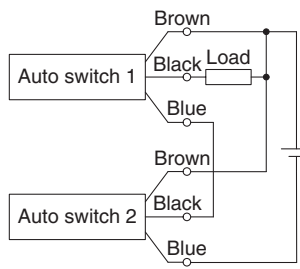
Example of AND (Series) and OR (Parallel) Connection

* When using solid state auto switches, ensure the application is set up so the signals for the first 50 ms are invalid.

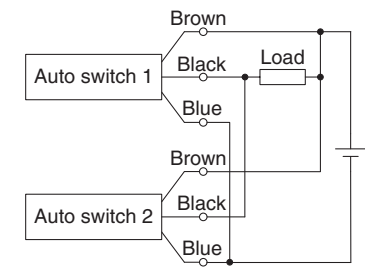
3-wire AND connection for NPN output (Using relays)



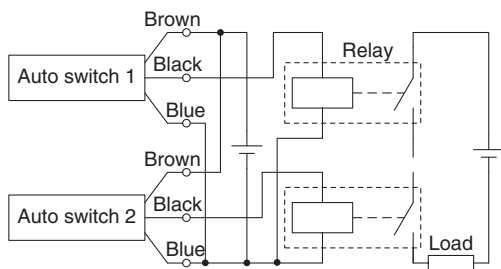
(Performed with auto switches only)



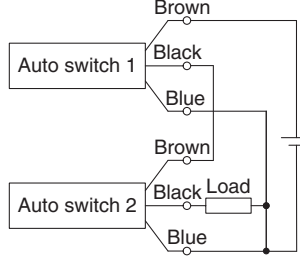
3-wire OR connection for NPN output



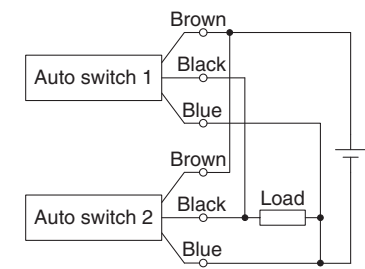
3-wire AND connection for PNP output (Using relays)



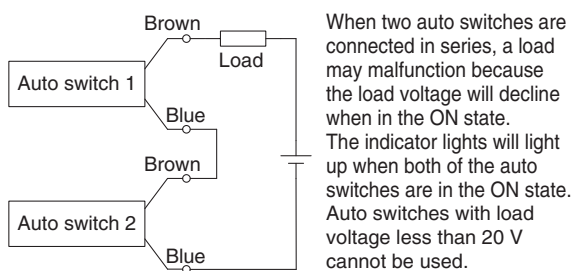
(Performed with auto switches only)



3-wire OR connection for PNP output



2-wire AND connection

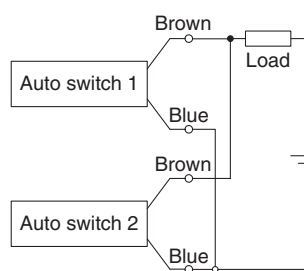


When two auto switches are connected in series, a load may malfunction because the load voltage will decline when in the ON state. The indicator lights will light up when both of the auto switches are in the ON state. Auto switches with load voltage less than 20 V cannot be used.

$$\begin{aligned} \text{Load voltage at ON} &= \text{Power supply voltage} - \\ &\quad \text{Residual voltage} \times 2 \text{ pcs.} \\ &= 24 \text{ V} - 4 \text{ V} \times 2 \text{ pcs.} \\ &= 16 \text{ V} \end{aligned}$$

Example: Power supply is 24 VDC
Internal voltage drop in auto switch is 4 V.

2-wire OR connection



(Solid state)
When two auto switches are connected in parallel, malfunction may occur because the load voltage will increase when in the OFF state.

(Reed)
Because there is no current leakage, the load voltage will not increase when turned OFF. However, depending on the number of auto switches in the ON state, the indicator lights may sometimes grow dim or not light up, due to the dispersion and reduction of the current flowing to the auto switches.

$$\begin{aligned} \text{Load voltage at OFF} &= \text{Leakage current} \times 2 \text{ pcs.} \times \\ &\quad \text{Load impedance} \\ &= 1 \text{ mA} \times 2 \text{ pcs.} \times 3 \text{ k}\Omega \\ &= 6 \text{ V} \end{aligned}$$

Example: Load impedance is 3 kΩ.
Leakage current from auto switch is 1 mA.

Double Acting, Single Rod
CG1

Standard
Double Acting, Double Rod
CG1W

Single Acting, Spring Return/Extend
CG1

Non-rotating Rod
Double Acting, Single Rod
CG1K

Double Acting, Double Rod
CG1KW

Direct Mount
Double Acting, Single Rod
CG1R

Auto Switch

Made to Order

Series CG1

Simple Specials/Made to Order



Please contact SMC for detailed specifications, delivery and prices.

Simple Specials

The following special specifications can be ordered as a simplified Made-to-Order. There is a specification sheet available on paper and CD-ROM. Please contact your SMC sales representatives if necessary.

Symbol	Specifications	CG1 (Standard type)				
		Double acting				Single acting
		Single rod		Double rod		Single rod
		Rubber	Air	Rubber	Air	Rubber
-XA0 to 30	Change of rod end shape	●	●	●	●	●

Made to Order

Symbol	Specifications	CG1 (Standard type)				
		Double acting				Single acting
		Single rod		Double rod		Single rod
		Rubber	Air	Rubber	Air	Rubber
-XB6	Heat resistant cylinder (-10 to 150°C)	●	●		●	
-XB7	Cold resistant cylinder (-40 to 70°C)	●				
-XB9	Low speed cylinder (10 to 50 mm/s)	●				
-XB13	Low speed cylinder (5 to 50 mm/s)	●				
-XC4	With heavy duty scraper	●	●			
-XC6	Made of stainless steel	●	●	●	●	●
-XC8	Adjustable stroke cylinder/Adjustable extension type	●				
-XC9	Adjustable stroke cylinder/Adjustable retraction type	●				
-XC10	Dual stroke cylinder/Double rod type	●	●			
-XC11	Dual stroke cylinder/Single rod type	●	●			
-XC12	Tandem cylinder	●				
-XC13	Auto switch rail mounting	●	●	●	●	
-XC20	Head cover axial port	●				
-XC22	Fluororubber seal	●	●	●	●	
-XC27	Double clevis and double knuckle joint pins made of stainless steel	●	●			
-XC29	Double knuckle joint with spring pin	●	●			
-XC35	With coil scraper	●				
-XC37	Larger throttle diameter of connecting port	●		●		
-XC42	Built-in shock absorber in head cover side	●				
-XC85	Grease for food processing equipment	●	●	●	●	
-X446	PTFE grease	●				

CG1K (Non-rotating rod type) Double acting			CG1R (Direct mount type) Double acting		Page
Single rod		Double rod	Single rod		
Rubber	Air	Rubber	Rubber	Air	
●	●	●	●	●	Page 51

CG1K (Non-rotating rod type) Double acting			CG1R (Direct mount type) Double acting		Page
Single rod		Double rod	Single rod		
Rubber	Air	Rubber	Rubber	Air	
●			●	●	Page 53
					Page 53
					Page 53
					Page 54
					Page 54
			●	●	Page 54
●			●		Page 55
●			●		Page 56
●			●		Page 57
					Page 58
					Page 59
			●		Page 59 to 61
●			●		Page 62
●			●		Page 62
			●	●	Page 62
					Page 63
					Page 63
					Page 63
●					Page 64
			●	●	Page 65
					Page 65

Standard	Double Acting, Single Rod	CG1
Standard	Double Acting, Double Rod	CG1W
Standard	Single Acting, Spring Return/Extend	CG1
Non-rotating Rod	Double Acting, Single Rod	CG1K
Non-rotating Rod	Double Acting, Double Rod	CG1KW
Direct Mount	Double Acting, Single Rod	CG1R
Auto Switch		
Made to Order		

Series CG1 Simple Specials

These changes are dealt with Simple Specials System.

1 Change of Rod End Shape

Applicable Series

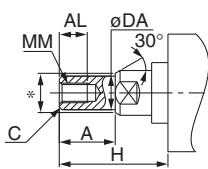
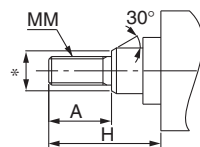
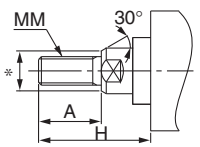
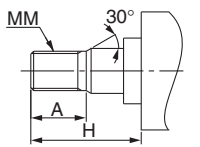
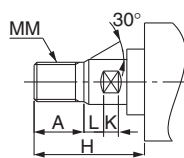
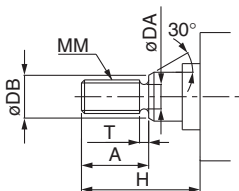
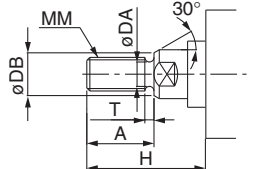
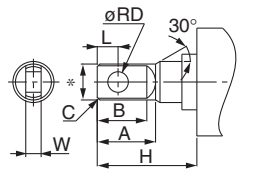
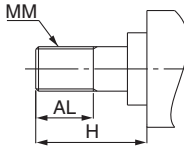
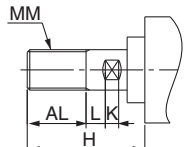
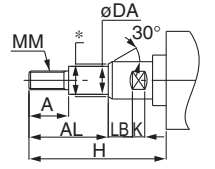
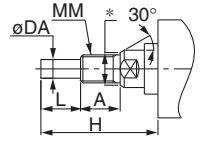
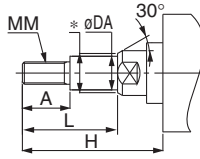
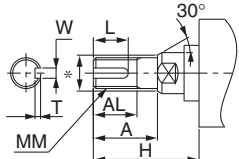
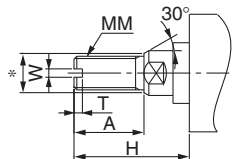
Series		Action	Symbol for change of rod end shape	Note
CG1-Z	Standard type	CG1	Double acting, Single rod	XA0 to 30
		CG1W	Double acting, Double rod	XA0 to 30
	Non-rotating rod type	CG1K	Double acting, Single rod	XA0 to 30
	Direct mount type	CG1R	Double acting, Single rod	XA0 to 30

⚠ Precautions

- SMC will make appropriate arrangements if no dimension, tolerance, or finish instructions are given in the diagram.
- Standard dimensions marked with "*" will be as follows to the rod diameter (D). Enter any special dimension you desire.

- $D \leq 6 \rightarrow D - 1 \text{ mm}$ $6 < D \leq 25 \rightarrow D - 2 \text{ mm}$ $D > 25 \rightarrow D - 4 \text{ mm}$
- In the case of double rod type and single acting retraction type, enter the dimensions when the rod is retracted.

Symbol: A0 	Symbol: A1 	Symbol: A2 	Symbol: A3
Symbol: A4 	Symbol: A5 	Symbol: A6 	Symbol: A7
Symbol: A8 	Symbol: A9 	Symbol: A10 	Symbol: A11
Symbol: A12 	Symbol: A13 	Symbol: A14 	Symbol: A15

<p>Symbol: A16</p> 	<p>Symbol: A17</p> 	<p>Symbol: A18</p> 	<p>Symbol: A19</p> 
<p>Symbol: A20</p> 	<p>Symbol: A21</p> 	<p>Symbol: A22</p> 	<p>Symbol: A23</p> 
<p>Symbol: A24</p> 	<p>Symbol: A25</p> 	<p>Symbol: A26</p> 	<p>Symbol: A27</p> 
<p>Symbol: A28</p> 	<p>Symbol: A29</p> 	<p>Symbol: A30</p> 	

Standard	Double Acting, Double Rod	CG1W
Standard	Double Acting, Single Rod	CG1K
Non-rotating Rod	Double Acting, Double Rod	CG1KW
Non-rotating Rod	Double Acting, Single Rod	CG1R
Direct Mount	Double Acting, Single Rod	CG1R
Auto Switch		
Made to Order		

Double Acting, Single Rod
CG1

Double Acting, Double Rod
CG1W

Single Acting, Spring Return/Extend
CG1

Double Acting, Single Rod
CG1K

Double Acting, Double Rod
CG1KW

Double Acting, Single Rod
CG1R

Auto Switch

Made to Order

Series CG1

Made to Order

Please contact SMC for detailed dimensions, specifications and lead times.



1 Heat Resistant Cylinder (−10 to 150°C)

Symbol
-XB6

Air cylinder which changed the seal material and grease, so that it could be used even at higher temperature up to 150 from −10°C.

Applicable Series

Series	Description	Model	Action	Note
CG1-Z	Standard type	CG1	Double acting, Single rod	Except with auto switch. Cylinders with rubber bumper have no bumper.

- Note 1) Operate without lubrication from a pneumatic system lubricator.
 Note 2) Please contact SMC for details on the maintenance intervals for this cylinder, which differ from those of the standard cylinder.
 Note 3) In principle, it is impossible to make built-in magnet type and the one with auto switch. But, as for the one with auto switch, and the heat resistant cylinder with heat resistant auto switch, please contact SMC.
 Note 4) Piston speed is ranged from 50 to 500 mm/s.

How to Order

Standard model no. **- XB6**
 Heat resistant cylinder

Specifications

Ambient temperature range	−10°C to 150°C
Seals materials	Fluororubber
Grease	Heat resistant grease
Specifications other than above and external dimensions	Same as standard type

Warning Precautions

Be aware that smoking cigarettes etc. after your hands have come into contact with the grease used in this cylinder can create a gas that is hazardous to humans.

2 Cold Resistant Cylinder (−40 to 70°C)

Symbol
-XB7

Air cylinder which changed the seal material and grease, so that it could be used even at lower temperature down to −40°C.

Applicable Series

Series	Description	Model	Action	Note
CG1-Z	Standard type	CG1	Double acting, Single rod	Except with air cushion and auto switch. Cylinders with rubber bumper have no bumper.

- Note 1) Operate without lubrication from a pneumatic system lubricator.
 Note 2) Use dry air which is suitable for heatless air dryer etc. not to cause the moisture to be frozen.
 Note 3) Please contact SMC for details on the maintenance intervals for this cylinder, which differ from those of the standard cylinder.
 Note 4) Mounting auto switch is impossible.
 Note 5) Without a bumper.
 Piston speed is ranged from 50 to 500 mm/s.

How to Order

Standard model no. **- XB7**
 Cold resistant cylinder

Specifications

Ambient temperature range	−40°C to 70°C
Seals material	Low nitrile rubber
Grease	Cold resistant grease
Auto switch	Not mountable
Dimensions	Same as standard type
Additional specifications	Same as standard type

Warning Precautions

Be aware that smoking cigarettes etc. after your hands have come into contact with the grease used in this cylinder can create a gas that is hazardous to humans.

3 Low Speed Cylinder (10 to 50 mm/s)

Symbol
-XB9

Even if driving at lower speeds 10 to 50 mm/s, there would be no stick-slip phenomenon and it can run smoothly.

Applicable Series

Series	Description	Model	Action	Note
CG1-Z	Standard type	CG1	Double acting, Single rod	Except with rod boot and with air cushion

- Note) Operate without lubrication from a pneumatic system lubricator.

How to Order

Standard model no. **- XB9**
 Low speed cylinder

Specifications

Piston speed	10 to 50 mm/s
Dimensions	Same as standard type
Additional specifications	Same as standard type

Warning Precautions

Be aware that smoking cigarettes etc. after your hands have come into contact with the grease used in this cylinder can create a gas that is hazardous to humans.

4 Low Speed Cylinder (5 to 50 mm/s)

Symbol
-XB13

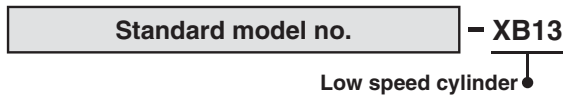
Even if driving at lower speeds 10 to 50 mm/s, there would be no stick-slip phenomenon and it can run smoothly.

Applicable Series

Series	Description	Model	Action	Note
CG1-Z	Standard type	CG1	Double acting, Single rod	Except with rod boot and with air cushion

Note 1) Operate without lubrication from a pneumatic system lubricator.
Note 2) For speed adjustment, use speed controllers for controlling at lower speeds. (Series AS-FM/AS-M)

How to Order



Specifications

Piston speed	5 to 50 mm/s
Dimensions	Same as standard type
Additional specifications	Same as standard type

Warning Precautions

Be aware that smoking cigarettes etc. after your hands have come into contact with the grease used in this cylinder can create a gas that is hazardous to humans.

5 With Heavy Duty Scraper

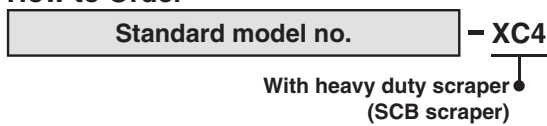
Symbol
-XC4

It is suitable for using cylinders under the environment, where there are much dusts in a surrounding area by using a heavy duty scraper on the wiper ring, or using cylinders under earth and sand exposed to the die-casted equipment, construction machinery, or industrial vehicles.

Applicable Series

Series	Description	Model	Action	Note
CG1-Z	Standard type	CG1	Double acting, Single rod	ø32 to ø63 only

How to Order



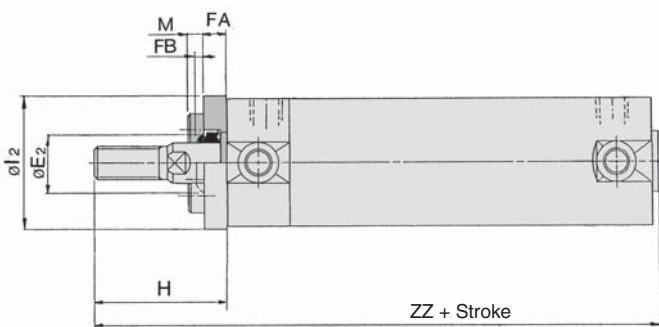
Specifications: Same as standard type

Caution

Do not replace heavy duty scrapers.

- Since heavy duty scrapers are press-fit, they must be replaced together with the scraper bracket.

Dimensions



Bore size	E ₂	FA	FB	M	l ₂	H	ZZ
32	17	8	3	5	38	48	121
40	21	8	3	6	48	58	138
50	26	9	3	8	59	66	158
63	26	9	3	10	72	66	158

- * Other dimensions are the same as double acting, single rod, standard type.
- * On the axial foot and the rod flange types, the installation bracket is wedged and bolted between the cylinder and the scraper at the time of shipment. On other types, it is placed in the same package, (but not assembled).

Long Stroke

ZZ
129
147
170
170

6 Made of Stainless Steel

Symbol
-XC6

Suitable for the cases it is likely to generate rust by being immersed in the water and corrosion.

Applicable Series

Series	Description	Model	Action
CG1-Z	Standard type	CG1	Double acting, Single rod
			Single acting (Spring return)
	Double rod type	CG1W	Double acting, Double rod
	Direct mount type	CG1R	Double acting, Single rod

How to Order



Specifications

Parts changed to stainless steel	Piston rod, Rod end nut
Specifications other than above and external dimensions	Same as standard type

Double Acting, Single Rod
CG1

Standard
Double Acting, Double Rod
CG1W

Single Acting, Spring Return/Extend
CG1

Non-rotating Rod
Double Acting, Single Rod
CG1K

Double Acting, Double Rod
CG1KW

Direct Mount
Double Acting, Single Rod
CG1R

Auto Switch

Made to Order

7 Adjustable Stroke Cylinder/Adjustable Extension Type

Symbol
-XC8

It adjusts the extending stroke by the stroke adjustable mechanism equipped in the head side.

Applicable Series

Series	Description	Model	Action	Note
CG1-Z	Standard type	CG1	Double acting	Except with air cushion
	Non-rotating rod type	CG1K	Double acting	Except with air cushion
	Direct mount type	CG1R	Double acting	Except with air cushion

Specifications

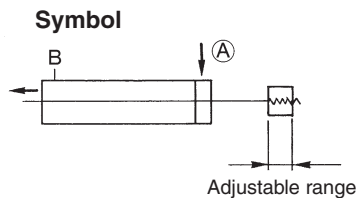
Stroke adjustment symbol	A	B
Stroke adjustment range [mm]	0 to 25	0 to 50
Additional specifications	Same as standard type	

How to Order

CG1 Mounting style Type Bore size - Stroke Stroke adjustment symbol Z - XC8

* Except clevis type

Adjustable stroke cylinder/adjustable extension type

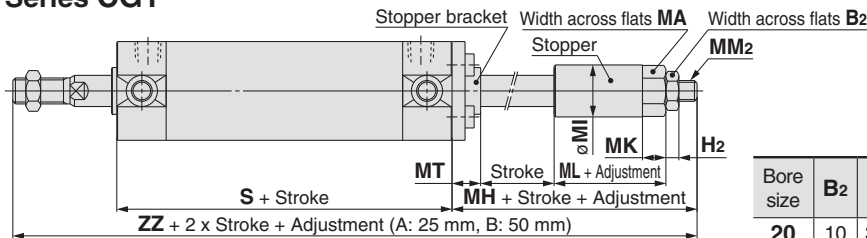


Warning Precautions

- When the cylinder is operating, if something gets caught between the stopper bracket for adjusting the stroke and the cylinder body, it could cause bodily injury or damage the peripheral equipment. Therefore, take preventive measures as necessary, such as installing a protective cover.
- To adjust the stroke, make sure to secure the wrench flats of the stopper bracket by a wrench etc. before loosening the lock nut. If the lock nut is loosened without securing the stopper bracket, be aware that the area that joins the load to the piston rod or the area in which the piston rod is joined with the load side and the stopper bracket side could loosen first. It may cause an accident or malfunction.

Dimensions (Dimensions other than below are the same as standard type.)

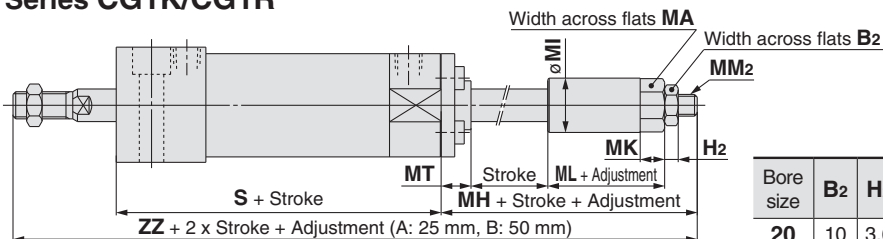
Series CG1



Bore size	B ₂	H ₂	MA	MH	MI	MK	ML	MM ₂	MT	S	ZZ
20	10	3.6	12	38	14	7	18	M6 x 1	9	77	150
25	13	5	17	41	20	9	18	M8 x 1.25	11	77	158
32	13	5	17	41	20	9	18	M8 x 1.25	11	79	160
40	17	6	19	47	25	10	24	M10 x 1.25	11	87	184
50	19	8	24	60	32	13	32	M14 x 1.5	11	102	220
63	19	8	24	60	32	13	32	M14 x 1.5	13	102	220

* On the axial foot type, the foot is wedged and bolted between the cylinder and the stopper bracket at the time of shipment. On other types, it is placed in the same package, (but not assembled).

Series CG1K/CG1R



Bore size	B ₂	H ₂	MA	MH	MI	MK	ML	MM ₂	MT	S	ZZ
20	10	3.6	12	38	14	7	18	M6 x 1	9	83	148
25	13	5	17	41	20	9	18	M8 x 1.25	11	85	158
32	13	5	17	41	20	9	18	M8 x 1.25	11	91	164
40	17	6	19	47	25	10	24	M10 x 1.25	11	103	189
50	19	8	24	60	32	13	32	M14 x 1.5	11	120	225
63	19	8	24	60	32	13	32	M14 x 1.5	13	126	231

8 Adjustable Stroke Cylinder/Adjustable Retraction Type

Symbol
-XC9

The retracting stroke of the cylinder can be adjusted by the adjustment bolt.

Applicable Series

Series	Description	Model	Action	Note
CG1-Z	Standard type	CG1	Double acting, Single rod	Except clevis type and with air cushion
	Non-rotating rod type	CG1K	Double acting, Single rod	Except head flange and clevis types and with air cushion
	Direct mount type	CG1R	Double acting, Single rod	Except with air cushion

Specifications

Stroke adjustment symbol	A	B
Stroke adjustment range [mm]	0 to 25	0 to 50
Additional specifications	Same as standard type	

How to Order

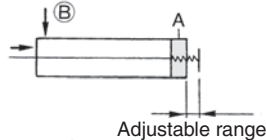
CG1 **Mounting style** **Type** **Bore size** - **Stroke** **Stroke adjustment symbol** **Z - XC9**

* Except clevis type

Adjustable stroke cylinder/adjustable retraction type



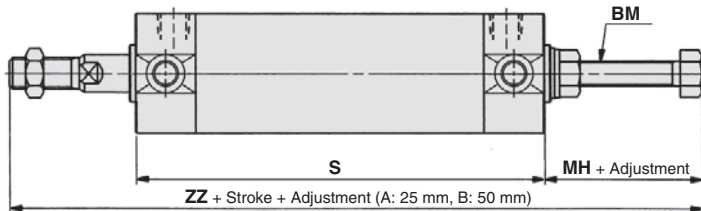
Symbol



Warning Precautions

- When air is supplied to the cylinder, if the stroke adjustment bolt is loosened in excess of the allowable stroke adjustment amount, be aware that the stroke adjustment bolt could fly out or air could be discharged, which could injure personnel or damage the peripheral equipment.
- Adjust the stroke when the cylinder is not pressurised. If it is adjusted in the pressurised state, the seal of the adjustment section could become deformed, leading to air leakage.

Dimensions (Dimensions other than below are the same as standard type.)



Bore size	BM	S	Rubber bumper	
			MH	ZZ
20	M6 x 1	77	23	135
25	M6 x 1	77	23	140
32	M8 x 1.25	79	25	144
40	M12 x 1.75	87	40	177
50	M12 x 1.75	102	33	193
63	M16 x 2	102	40	200

- * In the case of axial foot type, it is assembled at the time of shipment. On other types, it is placed in the same package, (but not assembled).
- * Dimensions other than above are the same as those for the CG1 series, long stroke type.

Double Acting, Single Rod **CG1**
 Standard Double Acting, Double Rod **CG1W**
 Single Acting, Spring Return/Extend **CG1**
 Non-rotating Rod Double Acting, Single Rod **CG1K**
 Double Acting, Double Rod **CG1KW**
 Direct Mount Double Acting, Single Rod **CG1R**
 Auto Switch
 Made to Order

9 Dual Stroke Cylinder/Double Rod Type

Two cylinders are constructed as one cylinder in a back-to-back configuration allowing the cylinder stroke to be controlled in three steps.

Applicable Series

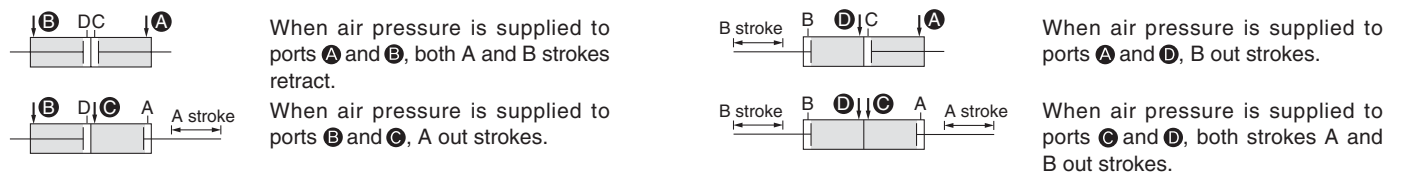
Series	Description	Model	Action	Note
CG1-Z	Standard type	CG1	Double acting, Single rod	
	Non-rotating rod type	CG1K	Double acting, Single rod	Except with air cushion



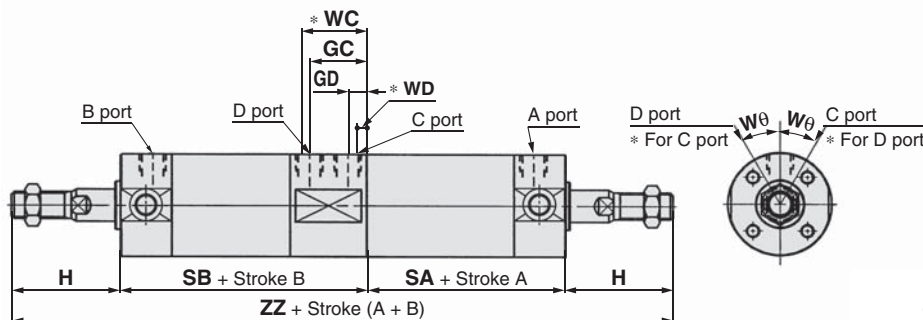
How to Order

CG1 **Mounting style** **Type** **Bore size** - **Stroke A** **Suffix** + **Stroke B** **Suffix** **Z - XC10**
Dual stroke cylinder

Function



Dimensions (Dimensions other than below are the same as standard type.)



[mm]

Bore size	GC	GD	H	SA	SB	W θ	Air cushion		ZZ
							WC	WD	
20	20.5 (21)	8.5 (9)	35	56.5 (56)	85.5 (86)	30°	(25)	(5)	212
25	21	9	40	56	86	30°	(25)	(5)	222
32	23	9	40	58	90	30°	(27)	(5)	228
40	23.5 (25)	7.5 (9)	50	66.5 (66)	97.5 (98)	20°	(29)	(5)	264
50	29	13	58	75 (76)	117 (116)	20°	(33)	(9)	308
63	28	12	58	76	116 (116)	20°	(32)	(8)	308

* (): With air cushion

10 Dual Stroke Cylinder/Single Rod Type

Symbol
-XC11

Two cylinders can be integrated by connecting them in line, and the cylinder stroke can be controlled in two stages in both directions.

Applicable Series

Series	Description	Model	Action	Note
CG1-Z	Standard type	CG1	Double acting, Single rod	

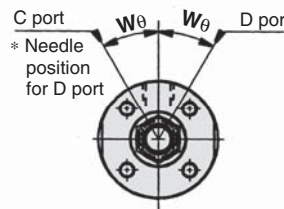
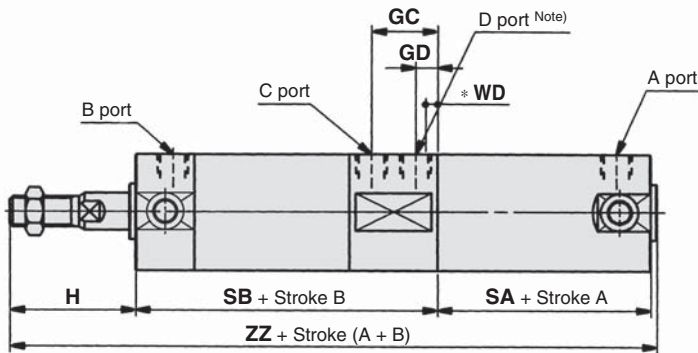
Specifications: Same as standard type

* Please contact SMC for each manufacturable stroke length.

How to Order

CG1 Mounting style Type Bore size - Stroke A + Stroke B-A Suffix Z - XC11
Dual stroke cylinder/single rod type

Dimensions (Dimensions other than below are the same as standard type.)



A Stroke Range

Bore size	Stroke range
ø20	Up to 200 mm
ø25, ø32	Up to 300 mm

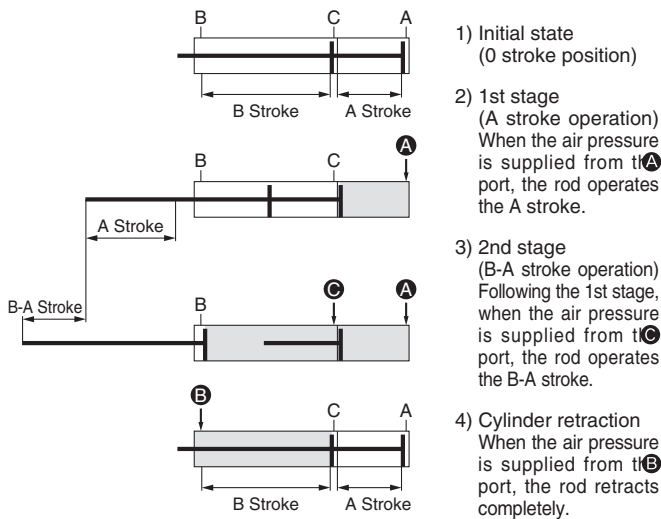
Note) D port style Type N: Rubber bumper, Plug with fixed orifice;
Type A: Air cushion, element non-installation (Release to atmospheric pressure)

Bore size	GC	GD	H	SA	SB	Wθ	ZZ	[mm]		
								Air cushion	Long stroke	WD
20	21	9	35	48	87	30°	172	5	-	-
25	21 (21.5)	9 (8.5)	40	48	87	30°	177	6.5	-	-
32	23	9	40	50	91	30°	183	5	-	-
40	25	9	50	56	100	20°	208	5	65	217
50	29	13	58	63	118	20°	241	9	75	253
63	28	12	58	64	117	20°	241	8	76	253

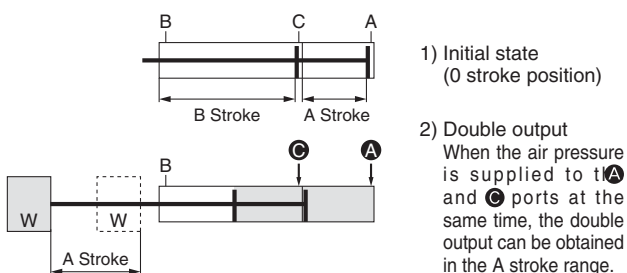
* () : With air cushion

Note) If the A stroke exceeds 301 mm. (ø40 to ø63)

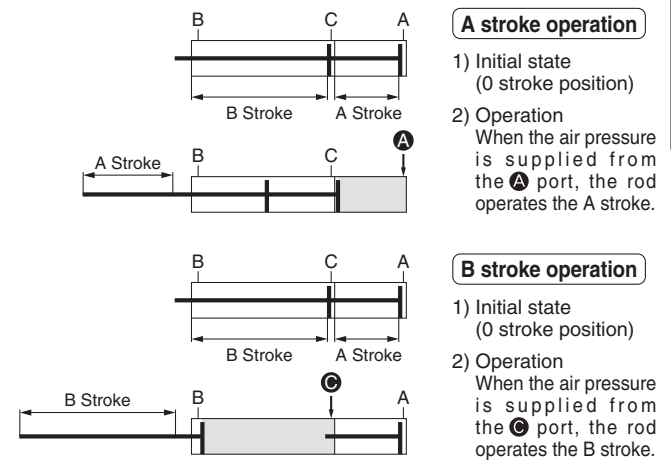
Functional description of dual stroke cylinder



Double output is possible.



A stroke or B stroke operation can be made individually.



Caution

- Precautions**
- Do not supply air until the cylinder is fixed with the attached bolt.
 - If air is supplied without securing the cylinder, the cylinder could lurch, posing the risk of bodily injury or damage to the peripheral equipment.

Double Acting, Single Rod CG1
 Standard Double Acting, Double Rod CG1W
 Single Acting, Spring Return/Extend CG1
 Non-rotating Rod Double Acting, Single Rod CG1K
 Double Acting, Double Rod CG1KW
 Direct Mount Double Acting, Single Rod CG1R
 Auto Switch
 Made to Order

Series CG1

11 Tandem Cylinder

Symbol
-XC12

This is a cylinder produced with two air cylinders in line allowing double the output force.

Applicable Series

Series	Description	Model	Action	Note
CG1-Z	Standard type	CG1	Double acting, Single rod	Except with air cushion

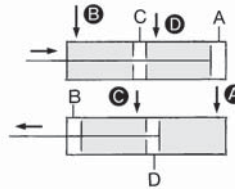
How to Order

Standard model no. - XC12
Tandem cylinder



Specifications: Same as standard type

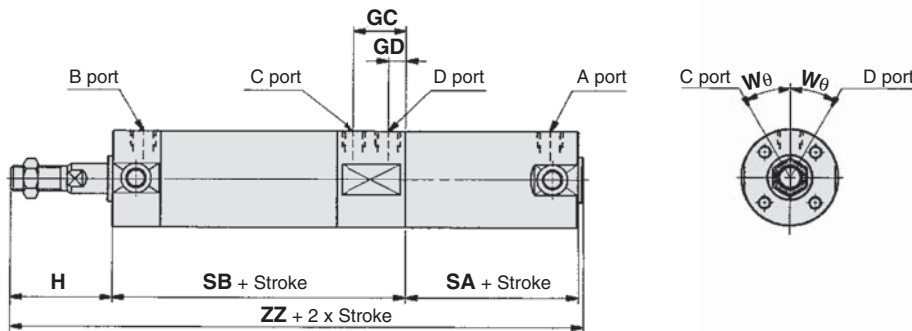
Function



When air pressure is supplied to ports **B** and **D**, the output force is doubled in the retract stroke.

When air pressure is supplied to ports **A** and **C**, the output force is doubled in the out stroke.

Dimensions (Dimensions other than below are the same as standard type.)



Bore size	GC	GD	H	SA	SB	W _θ	ZZ
20	21	9	35	48	87	30°	172
25	21	9	40	48	87	30°	177
32	23	9	40	50	91	30°	183
40	25	9	50	56	100	20°	208
50	29	13	58	63	108	20°	241
63	28	12	58	64	117	20°	241

* Please contact SMC for long stroke (ø20: 201 mm or more, ø25 to ø63: 301 mm or more) since SA-dimensions and ZZ-dimensions are different from those in the above table.

12 Auto Switch Rail Mounting

Symbol
-XC13

A cylinder on which a rail is mounted to enable auto switches, in addition to the standard method for mounting auto switches (Band mounting).

Applicable Series

Series	Description	Model	Action	Note
CG1-Z	Standard type	CG1	Double acting, Single rod	Except trunnion type and basic (without trunnion mounting female thread) "Z" type
	Double rod type	CG1W	Double acting, Double rod	Except trunnion type and basic (without trunnion mounting female thread) "Z" type
	Non-rotating rod type	CG1K	Double acting, Single rod	Except trunnion type and basic (without trunnion mounting female thread) "Z" type
	Direct mount type	CG1R	Double acting, Single rod	Except with air cushion

How to Order

CDG1 Standard model no. - XC13A

Rail mounting direction

XC13A	Mounted on the right side when viewed from the rod with the ports facing upward.
XC13B	Mounted on the left side when viewed from the rod.



Applicable Auto Switches

Rail mounting	Solid state	D-M9□/M9□V, D-M9□W/M9□WV, D-M9□A/M9□AV, D-F7□, D-F7□V, D-F7BA, D-F79F, D-F79W, D-F7□WV, D-J79, D-J79C, D-J79W
	Reed	D-A7/A8, D-A7□H/A80H, D-A73C/A80C, D-A79W
Auto switch specifications		Refer to the Auto Switch Guide for additional information on auto switches.

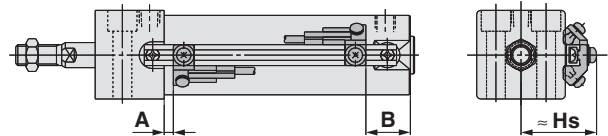
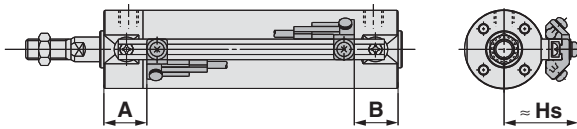
12 Auto Switch Rail Mounting

Symbol
-XC13

Auto Switch Proper Mounting Position (Detection at stroke end) and Its Mounting Height

Series CDG1

Series CDG1R
(ø20 to ø63)



Auto Switch Proper Mounting Position (Detection at stroke end)
Auto Switch Proper Mounting Position/Applicable Cylinder Series: CDG1-XC13 [mm]

Auto switch model	D-M9□/D-M9□V D-M9□W/D-M9□WV D-M9□A/D-M9□AV		D-F7□/F79F/F7□V D-J79/J79C D-F7□W/J79W/F7□WV		D-F7BA/F7ABV D-A72/A7□H/A80H D-A73C/A80C		D-F7NT		D-A7□ D-A80		D-A79W	
	A	B	A	B	A	B	A	B	A	B		
20	31.5	22.5 (30.5)	30.5	21.5 (29.5)	35.5	26.5 (34.5)	30	21 (29)	27.5	18.5 (26.5)		
25	31	23 (31)	30	22 (30)	35	27 (35)	29.5	21.5 (29.5)	27	19 (27)		
32	32.5	23.5 (31.5)	31.5	22.5 (30.5)	36.5	27.5 (35.5)	31	22 (30)	28.5	19.5 (27.5)		
40	37.5	25.5 (34.5)	36.5	24.5 (33.5)	41.5	29.5 (38.5)	36	24 (33)	33.5	21.5 (30.5)		
50	44.5	30.5 (42.5)	43.5	29.5 (41.5)	49	34.5 (46.5)	43	29 (41)	40.5	26.5 (38.5)		
63	43	32 (44)	42	31 (43)	47	36 (48)	41.5	30.5 (42.5)	39	28 (40)		
80	56	37 (51)	55	36 (50)	60	41 (55)	54.5	35.5 (49.5)	52	33 (47)		
100	55	38 (52)	54	37 (51)	59	42 (56)	53.5	36.5 (50.5)	51	34 (48)		

Note 1) (): For long stroke
Note 2) Adjust the auto switch after confirming the operating condition in the actual setting.

Auto Switch Proper Mounting Position (Detection at stroke end)
Auto Switch Proper Mounting Position/Applicable Cylinder Series: CDG1R-XC13 [mm]

Auto switch model	D-M9□/D-M9□V D-M9□W/D-M9□WV D-M9□A/D-M9□AV		D-F7□/F79F/F7□V D-J79/J79C D-F7□W/J79W/F7□WV		D-F7BA/F7ABV D-A72/A7□H/A80H D-A73C/A80C		D-F7NT		D-A7□ D-A80		D-A79W	
	A	B	A	B	A	B	A	B	A	B		
20	10.5	22.5	9.5	21.5	14.5	26.5	9	21	6.5	18.5		
25	10	23	9	22	14	27	8.5	21.5	6	19		
32	11.5	23.5	10.5	22.5	15.5	27.5	10	22	7.5	19.5		
40	16.5	25.5	15.5	24.5	20.5	29.5	15	24	12.5	21.5		
50	18.5	30.5	17.5	29.5	22.5	34.5	17	29	14.5	26.5		
63	17	32	16	31	21	36	15.5	30.5	13	28		

Note) Adjust the auto switch after confirming the operating condition in the actual setting.

Auto Switch Mounting Height [mm]

Auto switch model	D-M9□/M9□V D-M9□W/M9□WV D-M9□A/M9□AV D-F7□/F79F D-J79/F7NT D-F7□W/J79W/F7BA	D-F7□V D-F7□WV D-F7BAV	D-J79C	D-A7□ D-A80	D-A73C D-A80C	D-A79W
	Hs	Hs	Hs	Hs	Hs	Hs
20	26.5	29	32	25.5	32.5	28
25	29	31.5	34.5	28	35	30.5
32	32.5	35	38	31.5	38.5	34
40	36.5	39	42	35.5	42.5	38
50	42	44.5	47.5	41	48	43.5
63	49	51.5	54.5	48	55	50.5
80	59	61.5	64.5	58	65	60.5
100	69.5	72	75	68.5	75.5	71

Double Acting, Single Rod
CG1

Double Acting, Double Rod
CG1W

Single Acting, Spring Return/Extend
CG1

Double Acting, Single Rod
CG1K

Double Acting, Double Rod
CG1KW

Double Acting, Single Rod
CG1R

Auto Switch

Made to Order

12 Auto Switch Rail Mounting

Minimum Stroke for Auto Switch Mounting

Auto switch model	Number of auto switches [mm]		
	1	2 Same surface	n (n: No. of auto switches) Same surface
D-M9□/M9□V D-F7□V D-J79C	5	5	10 + 10 (n - 2) (n = 4, 6 ...) Note)
D-M9□WV D-M9□AV D-F7□WV D-F7BAV D-A79W	10	15	10 + 15 (n - 2) (n = 4, 6 ...) Note)
D-M9□W D-M9□A	10	15	15 + 15 (n - 2) (n = 4, 6 ...) Note)
D-F7□ D-J79	5	5	15 + 15 (n - 2) (n = 4, 6 ...) Note)
D-F7□W/J79W D-F7BA D-F79F/F7NT	10	15	15 + 20 (n - 2) (n = 4, 6 ...) Note)
D-A7□/A80 D-A7□H/A80H D-A73C/A80C	5	10	15 + 10 (n - 2) (n = 4, 6 ...) Note)
D-A7□H D-A80H	5	10	15 + 15 (n - 2) (n = 4, 6 ...) Note)

Note) When "n" is an odd number, an even number that is one larger than this odd number is used for the calculation. However, the minimum even number is 4. So, 4 is used for the calculation when "n" is 1 to 3.

Auto Switch Mounting Brackets/Part No.

Auto switch model	Bore size [mm]
	ø20 to ø100
D-M9□/M9□V D-M9□W/M9□WV	BQ2-012
D-M9□A/M9□AV	BQ2-012S

Note 1) When ordering the auto switches other than D-M9□□□ mentioned on the above and D-F7BA(V), order auto switch mounting brackets BQ-1 separately.

Note 2) When adding D-M9□A(V), order a stainless steel screw set BBA2 together with BQ2-012S separately.
When adding the auto switch D-F7BA(V), order a stainless steel screw set BBA2 separately.

Operating Range

Auto switch model	Bore size [mm]							
	20	25	32	40	50	63	80	100
D-M9□/M9□V D-M9□W/M9□WV D-M9□A/M9□AV	4	4	5	4	5.5	6.5	7.5	7
D-F7□/F79F/F7□V D-J79/J79C D-F7□W/J79W/F7□WV D-F7BA/F7BAV D-F7NT	4.5	4	4.5	5	5	6	6	6
D-A7□/A80 D-A7□H/A80H D-A73C/A80C	9	9	10	11	11	13.5	13	13.5
D-A79W	11	11	13	14	14	16.5	16	16.5

* Since the operating range is provided as a guideline including hysteresis, it cannot be guaranteed. (Assuming approximately ±30% dispersion.) It may vary substantially depending on an ambient environment.

13 Head Cover Axial Port

Symbol
-XC20

Head side port position is changed to the axial direction. (Standard head side port is plugged with hexagon socket head screw.)

Applicable Series

Series	Description	Model	Action	Note
CG1-Z	Standard type	CG1	Double acting, Single rod	Except with air cushion
	Non-rotating rod type	CG1K	Double acting, Single rod	Except with air cushion
	Direct mount type	CG1R	Double acting, Single rod	Except with air cushion

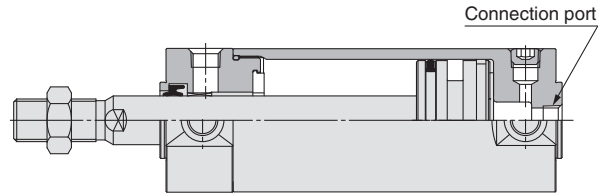
How to Order

Standard model no. **-XC20**
Head cover axial port

Specifications: Same as standard type

* Be sure to use the speed controller since head side port has no throttle.

Construction



Bore size [mm]	Port size
20, 25, 32, 40	Rc1/8
50, 63	Rc1/4

* Same dimensions as standard type except port size.

14 Fluororubber Seal

Symbol
-XC22

Applicable Series

Series	Description	Model	Action	Note
CG1-Z	Standard type	CG1	Double acting, Single rod	Cylinders with rubber bumper have no bumper.
	Double rod type	CG1W	Double acting, Double rod	Cylinders with rubber bumper have no bumper.
	Direct mount type	CG1R	Double acting, Single rod	Cylinders with rubber bumper have no bumper.

How to Order

Standard model no. **-XC22**
Fluororubber seal

Specifications

Seal material	Fluororubber
Ambient temperature range	With auto switch ^{Note 1)} : -10°C to 60°C (No freezing) Without auto switch : -10°C to 70°C
Specifications other than above and external dimensions	Same as standard type

Note 1) Please contact SMC, as the type of chemical and the operating temperature may not allow the use of this product.

Note 2) Cylinders with auto switches can also be produced; however, auto switch related parts (auto switch units, mounting brackets, built-in magnets) are the same as standard products. Before using these, please contact SMC regarding their suitability for the operating environment.

15 Double Clevis and Double Knuckle Joint Pins Made of Stainless Steel

Symbol
-XC27

To prevent the oscillating portion of the double clevis or the double knuckle joint from rusting, the material of the pin and the retaining ring has been changed to stainless steel.

Applicable Series

Series	Description	Model	Action
CG1-Z	Standard type	CG1	Double acting, Single rod

Specifications

Mounting style	Only double clevis type (D), double knuckle joint
Pin and retaining ring material	Stainless steel 304
Additional specifications	Same as standard type

How to Order

CG1D **Standard model no. -XC27**
Double clevis type Double clevis pin made of stainless steel

Y **G02, G03, G04, G05, G08, G10 -XC27**
Double knuckle joint Double knuckle joint pin made of stainless steel

IY **G02, G03, G04, G05, G08, G10 -XC27**
Clevis pin

CD **G02, G25, G03, G04, G05, G06 -XC27**
Knuckle pin Knuckle pin made of stainless steel

Double Acting, Single Rod
CG1

Standard
Double Acting, Double Rod
CG1W

Single Acting, Spring Return/Extend
CG1

Non-rotating Rod
Double Acting, Single Rod
CG1K

Double Acting, Double Rod
CG1KW

Direct Mount
Double Acting, Single Rod
CG1R

Auto Switch

Made to Order

16 Double Knuckle Joint with Spring Pin

Symbol
-XC29

For prevent loosening of the double knuckle joint

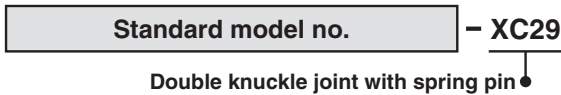
Applicable Series

Series	Description	Model	Action
CG1-Z	Standard type	CG1	Double acting, Single rod

Specifications: Same as standard type

Dimensions: Same as standard type

How to Order



17 With Coil Scraper

Symbol
-XC35

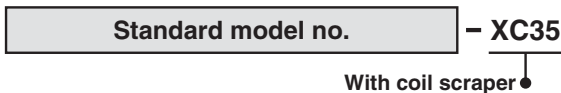
It gets rid of frost, ice, weld spatter, cutting chips adhered to the piston rod, and protects the seals etc.

Applicable Series

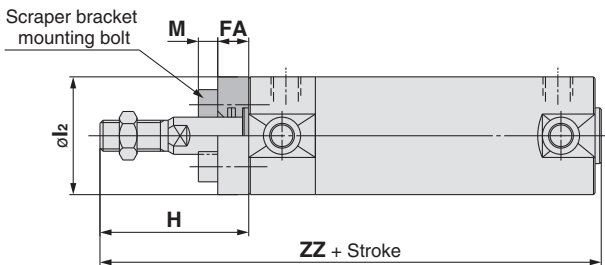
Series	Description	Model	Action	Note
CG1-Z	Standard type	CG1	Double acting, Single rod	Except with air cushion

Specifications: Same as standard type

How to Order



Dimensions (Dimensions other than below are the same as standard type.)



Bore size	Stroke range		FA	H	l ₂	M	ZZ
	Standard	Long stroke					
20	Up to 200	201 to 1500	6	39	27	4	110 (118)
25	Up to 300	301 to 1500	6	44	32	5	115 (123)
32	Up to 300	301 to 1500	6	44	38	5	117 (125)
40	Up to 300	301 to 1500	7	54	48	6	134 (143)
50	Up to 300	301 to 1500	7	62	59	8	154 (166)
63	Up to 300	301 to 1500	7	62	72	10	154 (166)

Note) (): Long stroke
 * Other dimensions are the same as double acting, single rod, standard type.
 * On the axial foot and the rod flange types, the installation bracket is wedged and bolted between the cylinder and the scraper at the time of shipment. On other types, it is placed in the same package, (but not assembled).
 * The long stroke shows the maximum manufacturable stroke. For details about maximum stroke that can be used for each mounting bracket, contact SMC.

18 Larger Throttle Diameter of Connection Port

Symbol
-XC37

This is a cylinder with a piping port larger than the standard type.

Applicable Series

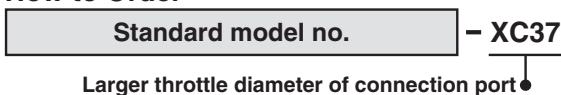
Series	Description	Model	Action	Note
CG1-Z	Standard type	CG1	Double acting, Single rod	Except with air cushion
	Double rod type	CG1W	Double acting, Double rod	* Except ø80, 100

Dimensions (Throttle diameter of connection port) Dimensions other than below are the same as standard type.

Bore size	[mm]	
	With rubber bumper	Standard type
20	5	(2.1)
25	5	(2.5)
32	6	(3.3)
40	7	(3.9)
50	9	(4.5)
63	9	(5.7)

* Use external stopper etc. not to be damaged with cylinder cover directly if exceeding the range of kinetic energy absorption.

How to Order



Specifications: Same as standard type

Symbol
-XC42

19 Built-in Shock Absorber in Head Cover Side

A type of the CG1 series air cylinder in which a special shock absorber is enclosed in the head portion so that its ability to absorb energy during the retraction of the cylinder is considerably greater than the conventional air cushion.

Applicable Series

Series	Description	Model	Action	Note
CG1-Z	Standard type	CG1	Double acting, Single rod	Except with air cushion

How to Order

Standard model no. **-XC42**
Built-in shock absorber in head cover side

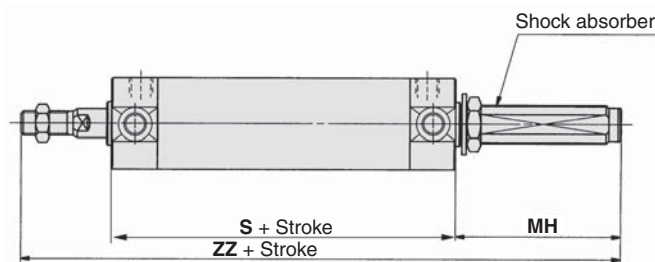


Specifications

Piston speed	50 to 1000 mm/s
Additional specifications	Same as standard type

* On the axial foot and head flange types, the bracket is mounted at the time of shipment. Others are shipped together, (but not assembled).

Dimensions (Dimensions other than below are the same as the CG1 long stroke type.)



Bore size	Stroke range	Shock absorber	S	MH	ZZ
20	10 to 350	RBAC0806	77	23.5	135.5
25	10 to 400	RBAC1007	77	31	148
32	15 to 450	RBAC1412	79	55	174
40	15 to 800	RBAC2015	87	62.5	199.5
50	15 to 1200	RBAC2015	102	55.5	215.5
63	25 to 1200	RBAC2725	102	92.5	252.5

* Shock absorbers are consumables.

The specifications for shock absorbers are the same as those for the RBC□□□□, but use the RBAC□□□□ when an external pressure is applied such as for a built-in cylinder. The maximum absorption energy may decrease depending on the operating conditions.

The shock absorber service life is different from that of the CG1 cylinder. Refer to the RB series Specific Product Precautions for the replacement period.

Double Acting, Single Rod
CG1

Standard
Double Acting, Double Rod
CG1W

Single Acting, Spring Return/Extend
CG1

Non-rotating Rod
Double Acting, Single Rod
CG1K

Double Acting, Double Rod
CG1KW

Direct Mount
Double Acting, Single Rod
CG1R

Auto Switch

Made to Order

20 Grease for Food Processing Equipment

Symbol
-XC85

Food grade grease (certified by NSF-H1) is used as lubricant.

Applicable Series

Series	Description	Model	Action	Note
CG1-Z	Standard type	CG1	Double acting, Single rod	
		CG1W	Double acting, Double rod	
	Direct mount type	CG1R	Double acting, Single rod	

How to Order

Standard model no. **- XC85**
Grease for food processing equipment

Warning Precautions

Be aware that smoking cigarettes etc. after your hands have come into contact with the grease used in this cylinder can create a gas that is hazardous to humans.

Not installable zone

Food zone An environment where food which will be sold as merchandize, directly touches the cylinder's components.

Splash zone An environment where food which will not be sold as merchandize, directly touches the cylinder's components.

Installable zone

Non-food zone An environment where there is no contact with food.

Note 1) Avoid using this product in the food zone.
(Refer to the figure right.)

Note 2) When the product is used in an area of liquid splash, or a water resistant function is required for the product, please contact SMC.

Note 3) Operate without lubrication from a pneumatic system lubricator.

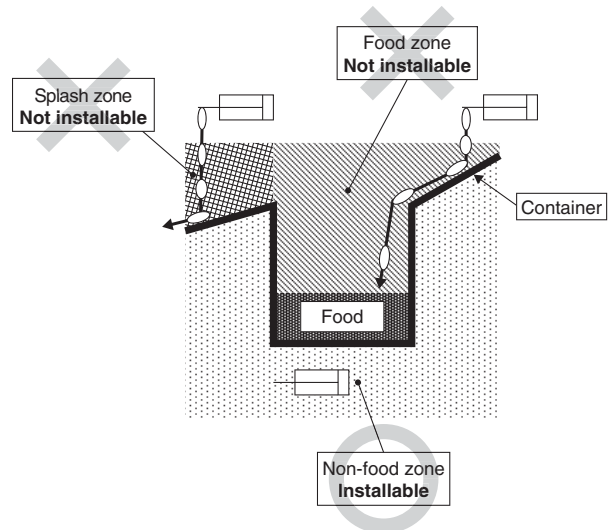
Note 4) Use the following grease pack for the maintenance work.

GR-H-010 (Grease: 10 g)

Note 5) Please contact SMC for details about the maintenance intervals for this cylinder, which differ from those of the standard cylinder.

Specifications

Ambient temperature range	-1°C to 70°C
Seals material	Nitrile rubber
Grease	Grease for food
Auto switch	Mountable
Dimensions	Same as standard type
Additional specifications	Same as standard type



21 PTFE Grease

Symbol
-X446

Applicable Series

Series	Description	Model	Action	Note
CG1-Z	Standard type	CG1	Double acting, Single rod	Except with air cushion

How to Order

Standard model no. **- X446**
PTFE grease




Specifications: Same as standard type

Dimensions: Same as standard type

* When grease is necessary for maintenance, grease pack is available, please order it separately.
GR-F-005 (Grease: 5 g)

Safety Instructions

These safety instructions are intended to prevent hazardous situations and/or equipment damage. These instructions indicate the level of potential hazard with the labels of “**Caution**,” “**Warning**” or “**Danger**.” They are all important notes for safety and must be followed in addition to International Standards (ISO/IEC)*1), and other safety regulations.

-  **Caution:** **Caution** indicates a hazard with a low level of risk which, if not avoided, could result in minor or moderate injury.
-  **Warning:** **Warning** indicates a hazard with a medium level of risk which, if not avoided, could result in death or serious injury.
-  **Danger:** **Danger** indicates a hazard with a high level of risk which, if not avoided, will result in death or serious injury.

- *1) ISO 4414: Pneumatic fluid power – General rules relating to systems.
 ISO 4413: Hydraulic fluid power – General rules relating to systems.
 IEC 60204-1: Safety of machinery – Electrical equipment of machines.
 (Part 1: General requirements)
 ISO 10218-1: Manipulating industrial robots - Safety.
 etc.

Warning

- 1. The compatibility of the product is the responsibility of the person who designs the equipment or decides its specifications.**
 Since the product specified here is used under various operating conditions, its compatibility with specific equipment must be decided by the person who designs the equipment or decides its specifications based on necessary analysis and test results. The expected performance and safety assurance of the equipment will be the responsibility of the person who has determined its compatibility with the product. This person should also continuously review all specifications of the product referring to its latest catalogue information, with a view to giving due consideration to any possibility of equipment failure when configuring the equipment.
- 2. Only personnel with appropriate training should operate machinery and equipment.**
 The product specified here may become unsafe if handled incorrectly. The assembly, operation and maintenance of machines or equipment including our products must be performed by an operator who is appropriately trained and experienced.
- 3. Do not service or attempt to remove product and machinery/equipment until safety is confirmed.**
 1. The inspection and maintenance of machinery/equipment should only be performed after measures to prevent falling or runaway of the driven objects have been confirmed.
 2. When the product is to be removed, confirm that the safety measures as mentioned above are implemented and the power from any appropriate source is cut, and read and understand the specific product precautions of all relevant products carefully.
 3. Before machinery/equipment is restarted, take measures to prevent unexpected operation and malfunction.
- 4. Contact SMC beforehand and take special consideration of safety measures if the product is to be used in any of the following conditions.**
 1. Conditions and environments outside of the given specifications, or use outdoors or in a place exposed to direct sunlight.
 2. Installation on equipment in conjunction with atomic energy, railways, air navigation, space, shipping, vehicles, military, medical treatment, combustion and recreation, or equipment in contact with food and beverages, emergency stop circuits, clutch and brake circuits in press applications, safety equipment or other applications unsuitable for the standard specifications described in the product catalogue.
 3. An application which could have negative effects on people, property, or animals requiring special safety analysis.
 4. Use in an interlock circuit, which requires the provision of double interlock for possible failure by using a mechanical protective function, and periodical checks to confirm proper operation.

Caution

- 1. The product is provided for use in manufacturing industries.**
 The product herein described is basically provided for peaceful use in manufacturing industries.
 If considering using the product in other industries, consult SMC beforehand and exchange specifications or a contract if necessary.
 If anything is unclear, contact your nearest sales branch.

Limited warranty and Disclaimer/ Compliance Requirements

The product used is subject to the following “Limited warranty and Disclaimer” and “Compliance Requirements”.

Read and accept them before using the product.

Limited warranty and Disclaimer

1. The warranty period of the product is 1 year in service or 1.5 years after the product is delivered.*2)
 Also, the product may have specified durability, running distance or replacement parts. Please consult your nearest sales branch.
2. For any failure or damage reported within the warranty period which is clearly our responsibility, a replacement product or necessary parts will be provided.
 This limited warranty applies only to our product independently, and not to any other damage incurred due to the failure of the product.
3. Prior to using SMC products, please read and understand the warranty terms and disclaimers noted in the specified catalogue for the particular products.

*2) Vacuum pads are excluded from this 1 year warranty.

A vacuum pad is a consumable part, so it is warranted for a year after it is delivered. Also, even within the warranty period, the wear of a product due to the use of the vacuum pad or failure due to the deterioration of rubber material are not covered by the limited warranty.

Compliance Requirements

1. The use of SMC products with production equipment for the manufacture of weapons of mass destruction (WMD) or any other weapon is strictly prohibited.
2. The exports of SMC products or technology from one country to another are governed by the relevant security laws and regulations of the countries involved in the transaction. Prior to the shipment of a SMC product to another country, assure that all local rules governing that export are known and followed.

Safety Instructions

Be sure to read “Handling Precautions for SMC Products” (M-E03-3) before using.

SMC Corporation (Europe)

Austria	☎+43 (0)2262622800	www.smc.at	office@smc.at
Belgium	☎+32 (0)33551464	www.smc-pneumatics.be	info@smcpneumatics.be
Bulgaria	☎+359 (0)2807670	www.smc.bg	office@smc.bg
Croatia	☎+385 (0)13707288	www.smc.hr	office@smc.hr
Czech Republic	☎+420 541424611	www.smc.cz	office@smc.cz
Denmark	☎+45 70252900	www.smc.dk.com	smc@smcdk.com
Estonia	☎+372 6510370	www.smc-pneumatics.ee	smc@smcpneumatics.ee
Finland	☎+358 207513513	www.smc.fi	smc@smc.fi
France	☎+33 (0)164761000	www.smc-france.fr	promotion@smc-france.fr
Germany	☎+49 (0)61034020	www.smc-pneumatik.de	info@smc-pneumatik.de
Greece	☎+30 210 2717265	www.smchellas.gr	sales@smchellas.gr
Hungary	☎+36 23511390	www.smc.hu	office@smc.hu
Ireland	☎+353 (0)14039000	www.smc-pneumatics.ie	sales@smcpneumatics.ie
Italy	☎+39 0292711	www.smcitalia.it	mailbox@smcitalia.it
Latvia	☎+371 67817700	www.smc.lv	info@smclv.lv

Lithuania	☎+370 5 2308118	www.smclt.lt	info@smclt.lt
Netherlands	☎+31 (0)205318888	www.smc-pneumatics.nl	info@smcpneumatics.nl
Norway	☎+47 67129020	www.smc-norge.no	post@smc-norge.no
Poland	☎+48 (0)222119616	www.smc.pl	office@smc.pl
Portugal	☎+351 226166570	www.smc.eu	postpt@smc.smces.es
Romania	☎+40 213205111	www.smcromania.ro	smcromania@smcromania.ro
Russia	☎+7 8127185445	www.smc-pneumatik.ru	info@smc-pneumatik.ru
Slovakia	☎+421 (0)413213212	www.smc.sk	office@smc.sk
Slovenia	☎+386 (0)73885412	www.smc.si	office@smc.si
Spain	☎+34 902184100	www.smc.eu	post@smc.smces.es
Sweden	☎+46 (0)86031200	www.smc.nu	post@smc.nu
Switzerland	☎+41 (0)523963131	www.smc.ch	info@smc.ch
Turkey	☎+90 212 489 0 440	www.smc-pneumatik.com.tr	info@smcpneumatik.com.tr
UK	☎+44 (0)845 121 5122	www.smc-pneumatics.co.uk	sales@smcpneumatics.co.uk