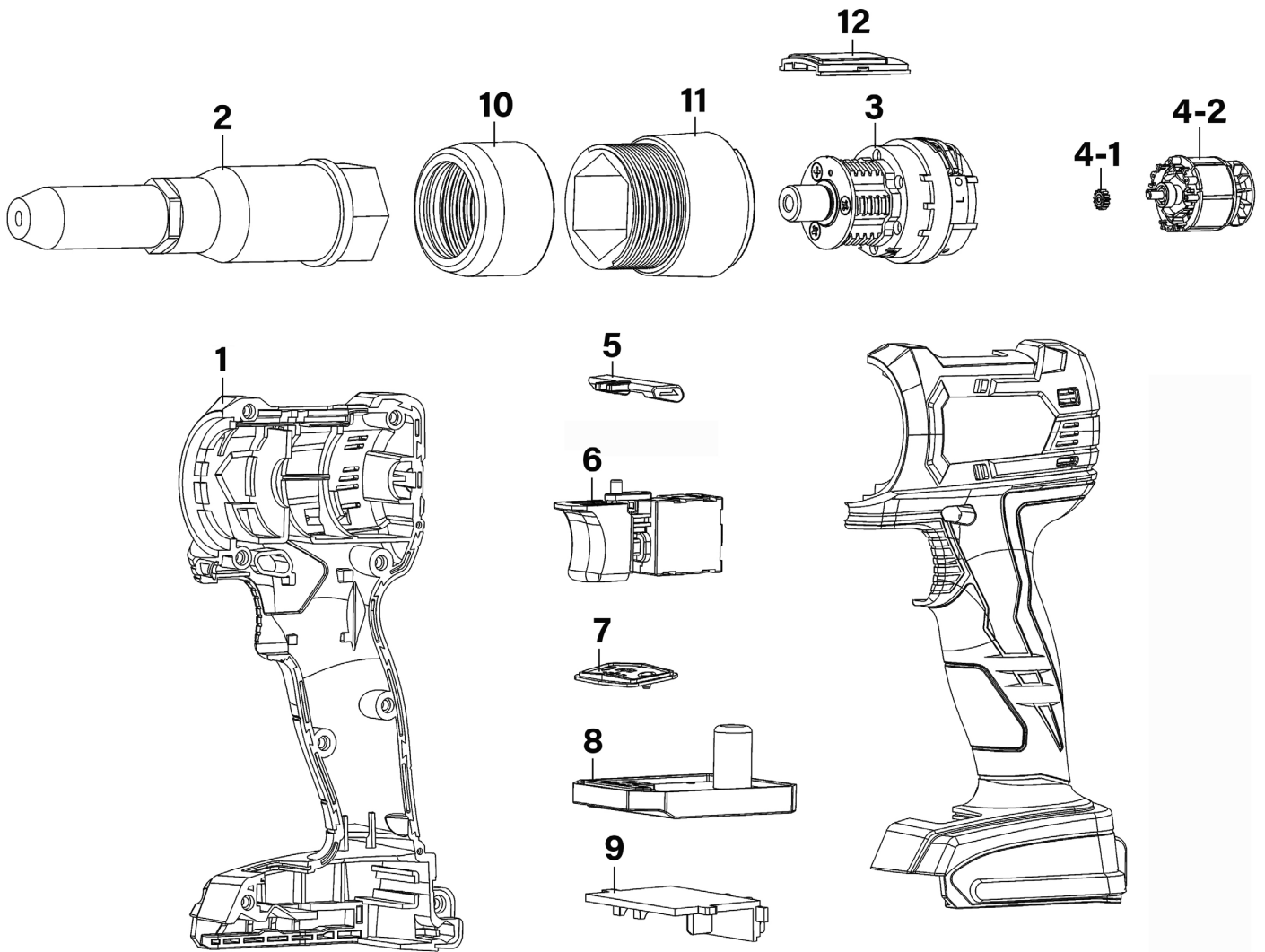




Parts Information:
Cordless Riveter 20V 2Ah Lit
Model No: CP314



Item	Part No.	Description
1	CP314.01	Casing Complete
2	CP314.02	Frame Head
3	CP314.03	Gearbox Assembly
4-1	CP314.04-1	Motor Gear
4-2	CP314.04-2	Motor
5	CP314.05	Switch Button Selector
6	CP314.06	Switch
7	CP314.07	Body Plate (c/w label)
8	CP314.08	PCB
9	CP314.09	Battery Connection

Item	Part No.	Description
10	CP314.10	Aluminium Lock Ring
11	CP314.11	Plastic Connection Head
12	CP314.12	H/L Speed Protection Cover
--	CP314.13A	Riveting Nozzle 2.4mm (Not Shown)
--	CP314.13B	Riveting Nozzle 3.2mm (Not Shown)
--	CP314.13C	Riveting Nozzle 4.0mm (Not Shown)
--	CP314.13D	Riveting Nozzle 5.0mm (Not Shown)
--	CP314BP	Power Tool Battery 20V 2Ah Li-ion (Not Shown)
--	CP314.MC	Main Charger (Not Shown)
--	CP314.DSC	Durable Storage Case (Not Shown)

NOTE: It is our policy to continually improve products and as such we reserve the right to alter data, specifications and component parts without prior notice. There may be alternative versions of this product, please contact us should you require this information.

IMPORTANT: No liability is accepted for incorrect use of product. Spare parts must be fitted by a competent person

WARRANTY: Guarantee is 12 months from purchase date, proof of which will be required for any claim.

Sealey Group, Kempson Way, Suffolk Business Park, Bury St Edmunds, Suffolk. IP32 7AR



01284 757500



01284 703534



sales@sealey.co.uk



www.sealey.co.uk