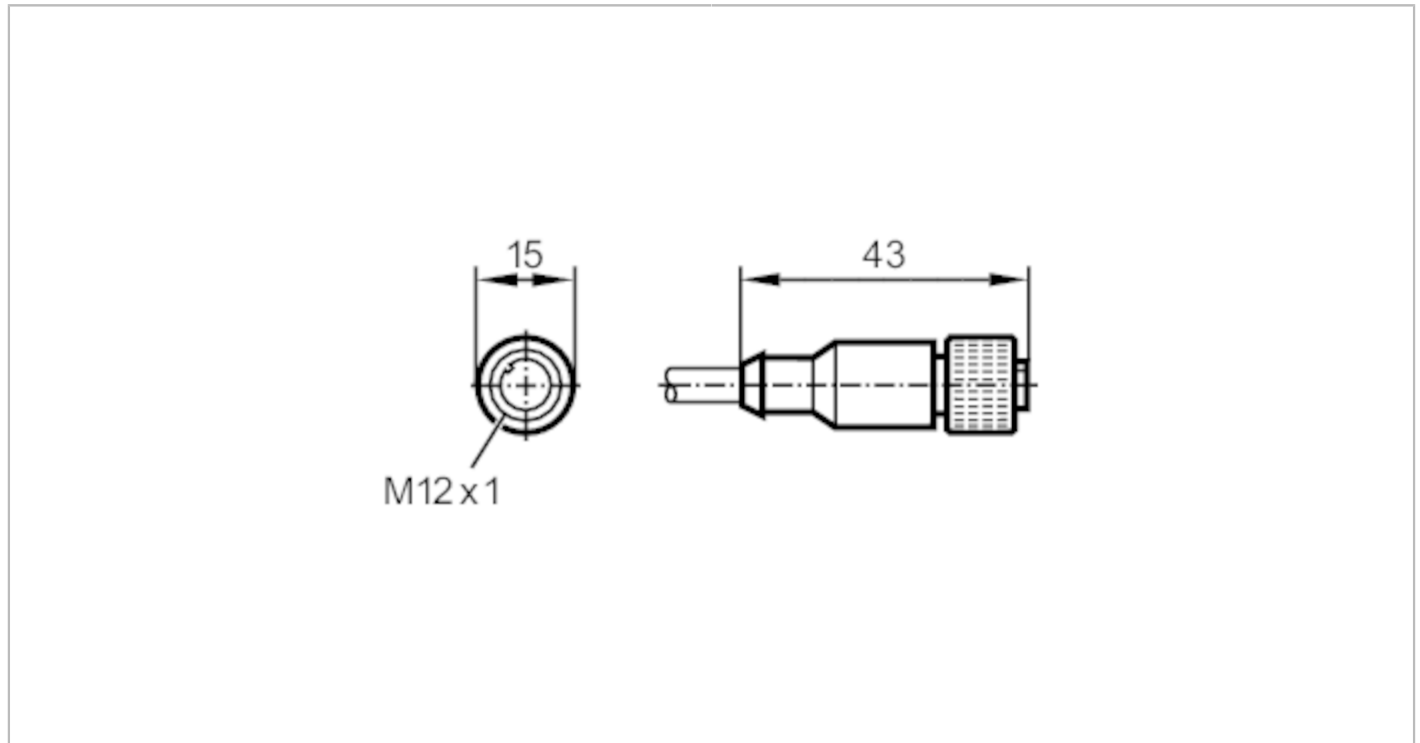


E12166



Connecting cable with socket

ADOGH080MSS0005B08



| Electrical data | | |
|---|------|---|
| Operating voltage | [V] | < 30 AC / < 36 DC |
| Max. current load total | [A] | 2 |
| Operating conditions | | |
| Ambient temperature | [°C] | -40...80 |
| Protection | | IP 67 |
| Mechanical data | | |
| Weight | [g] | 290.9 |
| Dimensions | [mm] | 15 x 15 x 43 |
| Materials | | Housing: TPU black |
| Material nut | | brass, nickel-plated |
| Remarks | | |
| Notes | | For 8-pole sockets the core colours are not standardised.; Please note the wiring of the sensor and the sockets (see data sheet). |
| Pack quantity | | 1 pcs. |
| Electrical connection | | |
| Cable: 5 m, PUR, black; 8 x 0.25 mm ² (14 x Ø 0.15 mm) | | |
| Electrical connection - socket | | |
| Connector: 1 x M12, straight; Moulded body: TPU; Locking: brass, nickel-plated; Tightening torque: 1...1.5 Nm | | |

E12166



Connecting cable with socket

ADOGH080MSS0005B08



Connection

| | |
|---|----|
| 1 | WH |
| 2 | BN |
| 3 | GN |
| 4 | YE |
| 5 | GY |
| 6 | PK |
| 7 | BU |
| 8 | RD |

colours to DIN
47100

Core colours :

| | |
|------|--------|
| BN = | brown |
| BU = | blue |
| GN = | green |
| GY = | grey |
| PK = | pink |
| RD = | red |
| WH = | white |
| YE = | yellow |