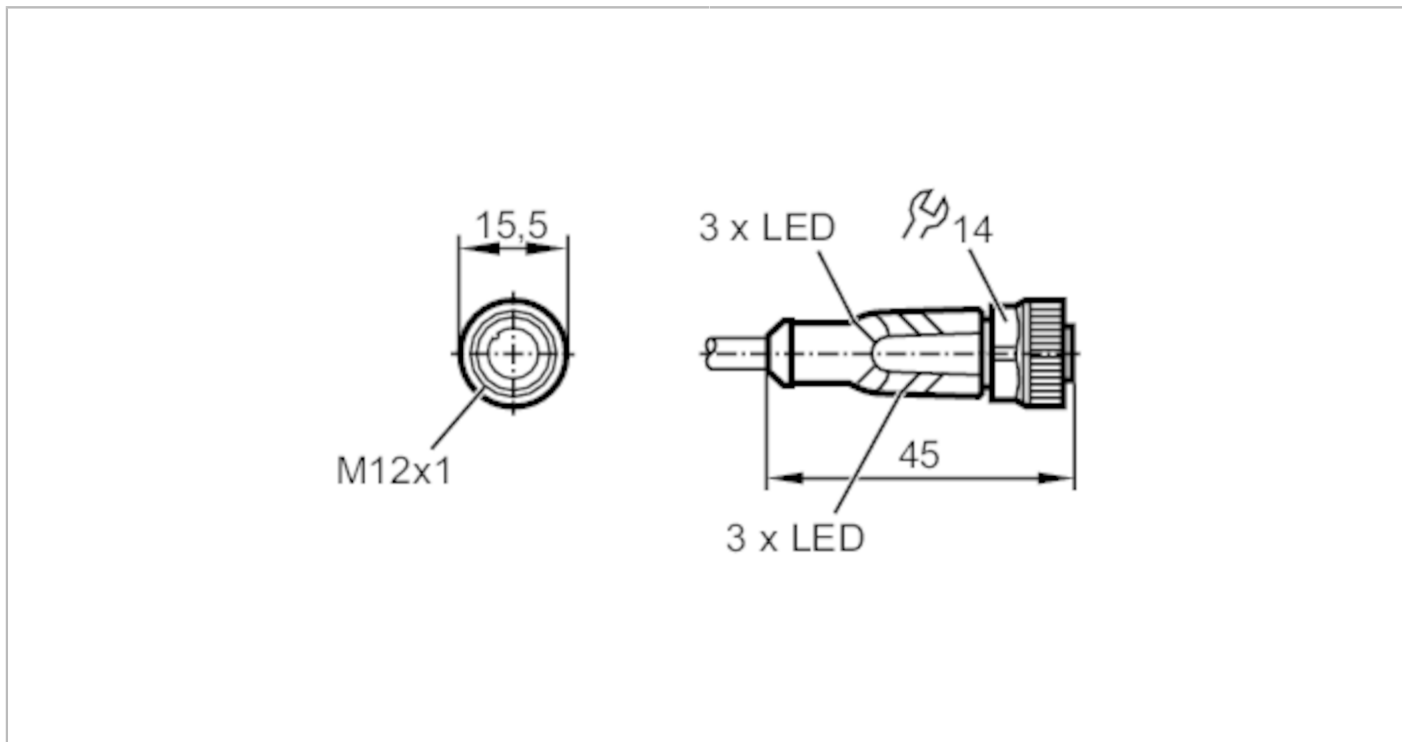


EVW169



Connecting cable with socket

ADOGH046SCS0010T04



Application	
Special feature	Free from silicone; Halogen-free; Gold-plated contacts; Drag chain suitability
Application	welding applications
Free from silicone	yes
Electrical data	
Operating voltage [V]	10...36 DC
Protection class	II
Max. current load total [A]	4
Outputs	
Electrical design	PNP
Operating conditions	
Ambient temperature [°C]	-25...90
Note on ambient temperature	cULus: ...75
Ambient temperature (moving) [°C]	-25...90
Note on ambient temperature (moving)	cULus: ...75
Protection	IP 65; IP 67; IP 68; IP 69K

EVW169



Connecting cable with socket

ADOGH046SCS0010T04

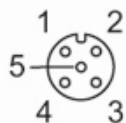
Mechanical data		
Weight	[g]	328.8
Dimensions	[mm]	15.5 x 15.5 x 45
Materials	housing: TPU black transparent; Sealing: FKM	
Material nut	brass, anti-spatter	
Drag chain suitability	yes	
Drag chain suitability	bending radius for flexible use	min. 10 x cable diameter
	travel speed	max. 3.3 m/s for a horizontal travel length of 5 m and max. acceleration of 5 m/s ²
	bending cycles	> 2 Mio.
	torsional strain	± 180 °/m

Displays / operating elements		
Display	switching status	4 x LED, yellow
	operation	2 x LED, green

Remarks	
Pack quantity	1 pcs.

Electrical connection
Cable: 10 m, PUR, Halogen-free, grey, Ø 4.9 mm; not irradiated (can be recycled); resistant to welding sparks; 4 x 0.34 mm² (42 x Ø 0.1 mm)

Electrical connection - socket
Connector: 1 x M12, straight; Locking: brass, anti-spatter; Contacts: gold-plated; Tightening torque: 0.6...1.5 Nm



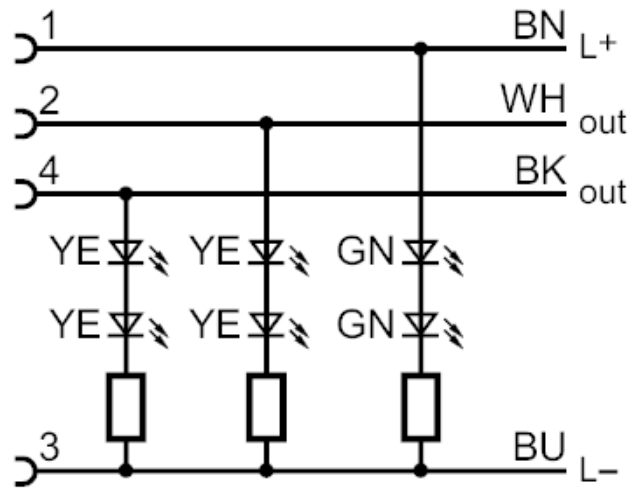
EVW169



Connecting cable with socket

ADOGH046SCS0010T04

Connection



Core colours :

BK =	black
BN =	brown
BU =	blue
WH =	white