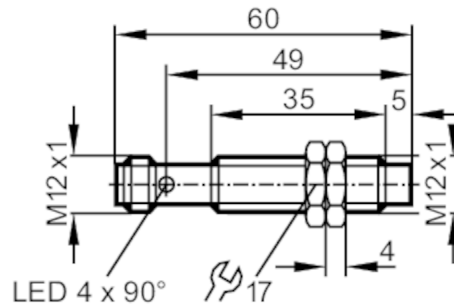




## Inductive sensor

IFK2007-FRKG/M/2LED/US-104-IRF



### Product characteristics

Electrical design	PNP/NPN
Output function	normally open / normally closed; (selectable)
Sensing range [mm]	7
Housing	threaded type
Dimensions [mm]	M12 x 1 / L = 60

### Application

Special feature	Gold-plated contacts; Increased sensing range; Optical setting aid
Application	Use in machine tools, coolants and lubricants

### Electrical data

Operating voltage [V]	10...36 DC
Protection class	II
Reverse polarity protection	yes

### Outputs

Electrical design	PNP/NPN
Output function	normally open / normally closed; (selectable)
Max. voltage drop switching output DC [V]	4.6
Minimum load current [mA]	4
Max. leakage current [mA]	1
Permanent current rating of switching output DC [mA]	100
Switching frequency DC [Hz]	500
Short-circuit protection	yes
Type of short-circuit protection	pulsed
Overload protection	yes

### Detection zone

Sensing range [mm]	7
Real sensing range Sr [mm]	7 ± 10 %
Operating distance [mm]	0...5.7
Increased sensing range	yes

# IFC235



## Inductive sensor

IFK2007-FRKG/M/2LED/US-104-IRF

### Accuracy / deviations

Correction factor	steel: 1 / stainless steel: 0.7 / brass: 0.5 / aluminium: 0.5 / copper: 0.4	
Hysteresis [% of Sr]	1...20	
Switch point drift [% of Sr]	-10...10	

### Operating conditions

Ambient temperature [°C]	-25...70	
Protection	IP 68; ("Coolant")	

### Tests / approvals

EMC	EN 61000-4-2 ESD	4 kV CD / 8 kV AD
	EN 61000-4-3 HF radiated	10 V/m
	EN 61000-4-4 Burst	2 kV
	EN 61000-4-6 HF conducted	10 V
	EN 55011	class B
MTTF [years]	1320	

### Mechanical data

Weight [g]	28.2	
Housing	threaded type	
Mounting	non-flush mountable	
Dimensions [mm]	M12 x 1 / L = 60	
Thread designation	M12 x 1	
Materials	housing: brass white bronze coated; sensing face: LCP uncoloured	

### Displays / operating elements

Display	switching status	4 x 90° LED, yellow
	setting aid	1 x LED, red
Optical setting aid	yes	

### Accessories

Accessories (supplied)	lock nuts: 2	
------------------------	--------------	--

### Remarks

Pack quantity	1 pcs.	
---------------	--------	--

### Electrical connection - plug

Connector: 1 x M12; Contacts: gold-plated



# IFC235



## Inductive sensor

IFK2007-FRKG/M/2LED/US-104-IRF

