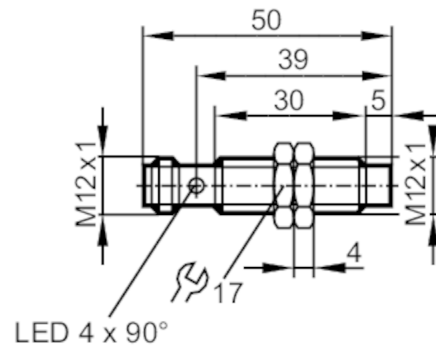


# IFS215



## Inductive sensor

IFB3004-BPKG/US-104



### Product characteristics

|                    |                  |
|--------------------|------------------|
| Electrical design  | PNP              |
| Output function    | normally open    |
| Sensing range [mm] | 4                |
| Housing            | threaded type    |
| Dimensions [mm]    | M12 x 1 / L = 50 |

### Application

|                 |  |
|-----------------|--|
| Special feature | Gold-plated contacts                         |
| Application     | Industrial applications / factory automation |

### Electrical data

|                             |            |
|-----------------------------|------------|
| Operating voltage [V]       | 10...30 DC |
| Current consumption [mA]    | < 10       |
| Protection class            | II         |
| Reverse polarity protection | yes        |

### Outputs

|  |               |
|--|---------------|
| Electrical design                                    | PNP           |
| Output function                                      | normally open |
| Max. voltage drop switching output DC [V]            | 2.5           |
| Permanent current rating of switching output DC [mA] | 100           |
| Switching frequency DC [Hz]                          | 700           |
| Short-circuit protection                             | yes           |
| Overload protection                                  | yes           |

### Detection zone

|                            |          |
|----------------------------|----------|
| Sensing range [mm]         | 4        |
| Real sensing range Sr [mm] | 4 ± 10 % |
| Operating distance [mm]    | 0...3.24 |

### Accuracy / deviations

|                              |   |
|------------------------------|---|
| Correction factor            | steel: 1 / stainless steel: 0.7 / brass: 0.5 / aluminium: 0.4 / copper: 0.3 |
| Hysteresis [% of Sr]         | 3...15  |
| Switch point drift [% of Sr] | -10...10  |

# IFS215



## Inductive sensor

IFB3004-BPKG/US-104

| Operating conditions                      |                           |   |
|---|---------------------------|---|
| Ambient temperature                       | [°C]                      | -25...70  |
| Protection                                |                           | IP 67   |
| Tests / approvals                         |                           |   |
| EMC                                       | EN 61000-4-2 ESD          | 4 kV CD / 8 kV AD   |
|   | EN 61000-4-3 HF radiated  | 10 V/m  |
|   | EN 61000-4-4 Burst        | 2 kV  |
|   | EN 61000-4-6 HF conducted | 10 V  |
|   | EN 55011                  | class B   |
| MTTF                                      | [years]                   | 1528  |
| UL approval                               | Ta                        | 0...40 °C   |
|   | Enclosure type            | Type 1  |
|   | voltage supply            | Hazardous voltage   |
|   | UL Approval no.           | A003  |
|   | File number UL            | E174191   |
| Mechanical data                           |                           |   |
| Weight                                    | [g]                       | 25.1  |
| Housing                                   |                           | threaded type   |
| Mounting                                  |                           | non-flush mountable   |
| Dimensions                                | [mm]                      | M12 x 1 / L = 50  |
| Thread designation                        |                           | M12 x 1   |
| Materials                                 |                           | brass white bronze coated; sensing face: PBT orange;<br>LED window: PEI; lock nuts: brass white bronze coated |
| Displays / operating elements             |                           |   |
| Display                                   | switching status          | 4 x LED, yellow   |
| Accessories                               |                           |   |
| Accessories (supplied)                    |                           | lock nuts: 2  |
| Remarks                                   |                           |   |
| Pack quantity                             |                           | 1 pcs.  |
| Electrical connection - plug              |                           |   |
| Connector: 1 x M12; Contacts: gold-plated |                           |   |
|   |                           |   |

# IFS215



## Inductive sensor

IFB3004-BPKG/US-104

### Connection

