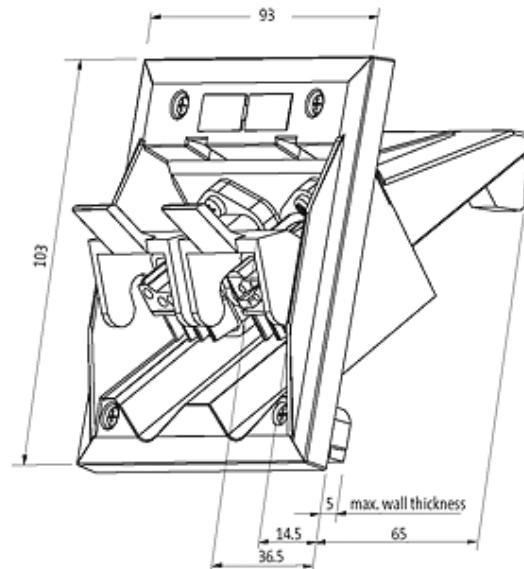


**HYBRID FIELD-BUS COUPLERS**

MHA-BBE-E - 2 x M12

M12, M12 (female/female) B-coded; RS485 (SUB-D9)

[Link to Product](#)**Illustration**

Product may differ from Image

**Approvals**



### Technical Data

Operating voltage	24 V DC
Transfer rate	to 12 Mbit/s
Shielded	no
Field Bus Coupling IP67	2 × M12 (female), B-coded

### General data

Connection	Spring clamp terminals: 0.25 mm <sup>2</sup> single core, 2.5 mm <sup>2</sup> stranded
Housing	Black plastic, flame retardant
Cut-out	H × W: 90 × 80 mm
Temperature range	-25...+50 °C
Dimensions H × W × D	103×93×65 mm

### Commercial data

country of origin	DE
customs tariff number	85369010
minimum order quantity	1