

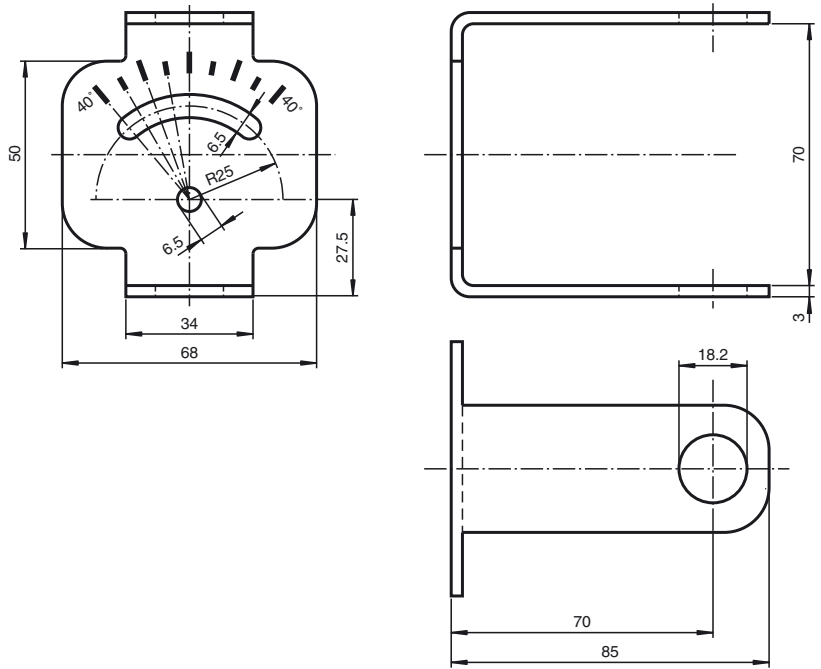


**Model Number**

**MH-UDB01**

Mounting bracket for double sheet monitor

**Dimensions**



**Technical data**

**Mechanical specifications**

Material	Stainless steel
Mass	195 g

Release date: 2013-02-04 09:32 Date of issue: 2013-02-04 129584\_eng.xml