

RES.CUR.OP.CIRCUIT BREAKER TYPE A 40A 1+N-  
POLE 30MA 230V 2MW



Figure similar

Model		
product brand name		SENTRON
Product designation		RCCB
<b>Design of the product</b>		Instantaneous
General technical data		
<b>Number of poles</b>		2
<b>Size of installation devices / acc. to DIN 43880</b>		1
<b>Protection against electrical shock</b>		Finger and back-of-hand safe
<b>Short-circuit current rating</b>	kA	10
<b>circuit-breaker / Design</b>		5SV3
<b>Mechanical service life (switching cycles) / typical</b>		10 000
<b>Overvoltage category</b>		III
Protection class		
<b>Protection class IP</b>		IP20, if the distribution board is installed, with connected conductors
Switching capacity		
<b>Switching capacity current</b>		
• acc. to EN 60898 / Rated value	kA	0.5
Dissipation		
<b>Active power loss</b>		
• for rated value of the current / with AC / in hot operating state / per pole	W	2.6
Electricity		

<b>Tripping residual current / Rated value</b>	mA	30
rated current I <sub>n</sub> / IEC, DIN/VDE / at 40 Cel	A	40
Current / with AC / Rated value	A	40
Surge current resistance / Rated value	kA	1

#### Product details

<b>Product property</b>		
<ul style="list-style-type: none"> <li>• halogen-free</li> </ul>		Yes
<ul style="list-style-type: none"> <li>• silicon-free</li> </ul>		Yes
Product expansion / can be installed / supplementary devices		Yes

#### Number

<b>Number of test cycles / for environmental testing / acc. to IEC 60068-2-30</b>		28
---	--	----

#### Connections

<b>Connectable conductor cross-section / stranded</b>		
<ul style="list-style-type: none"> <li>• minimum</li> </ul>	mm <sup>2</sup>	0.75
<ul style="list-style-type: none"> <li>• maximum</li> </ul>	mm <sup>2</sup>	35
<b>Connectable conductor cross-section / solid</b>		
<ul style="list-style-type: none"> <li>• minimum</li> </ul>	mm <sup>2</sup>	0.75
<ul style="list-style-type: none"> <li>• maximum</li> </ul>	mm <sup>2</sup>	35
<b>Tightening torque / with screw-type terminals</b>		
<ul style="list-style-type: none"> <li>• minimum</li> </ul>	N·m	2.5
<ul style="list-style-type: none"> <li>• maximum</li> </ul>	N·m	3
Position / of power supply cord		top or bottom

#### Mechanical Design

<b>Height</b>	mm	90
<b>Width</b>	mm	36
<b>Depth</b>	mm	70
<b>mounting position</b>		any
<b>Installation depth</b>	mm	70
<b>Number of width units</b>		2
<b>Mounting type</b>		DIN rail (REG)

#### Environmental conditions

<b>Ambient temperature</b>		
<ul style="list-style-type: none"> <li>• minimum</li> </ul>	°C	-25
<ul style="list-style-type: none"> <li>• maximum</li> </ul>	°C	45
<ul style="list-style-type: none"> <li>• during storage / minimum permissible</li> </ul>	°C	-40
<ul style="list-style-type: none"> <li>• during storage / maximum permissible</li> </ul>	°C	75

#### Certificates

<b>Equipment marking</b>		
--------------------------	--	--

- acc. to DIN EN 61346-2
- acc. to DIN EN 81346-2

F

F

## General Product Approval



IMQ



ÖVE



GOST



VDE



[other](#)

## Declaration of Conformity



EG-Konf.

## Further information

### Information- and Downloadcenter (Catalogs, Brochures,...)

<http://www.siemens.com/lowvoltage/catalogs>

### Industry Mall (Online ordering system)

<https://eb.automation.siemens.com/mall/en/WW/Catalog/Product/5SV33146>

### Service&Support (Manuals, Certificates, Characteristics, FAQs,...)

<http://support.automation.siemens.com/WW/view/en/5SV33146/all>

### Image database (product images, 2D dimension drawings, 3D models, device circuit diagrams, ...)

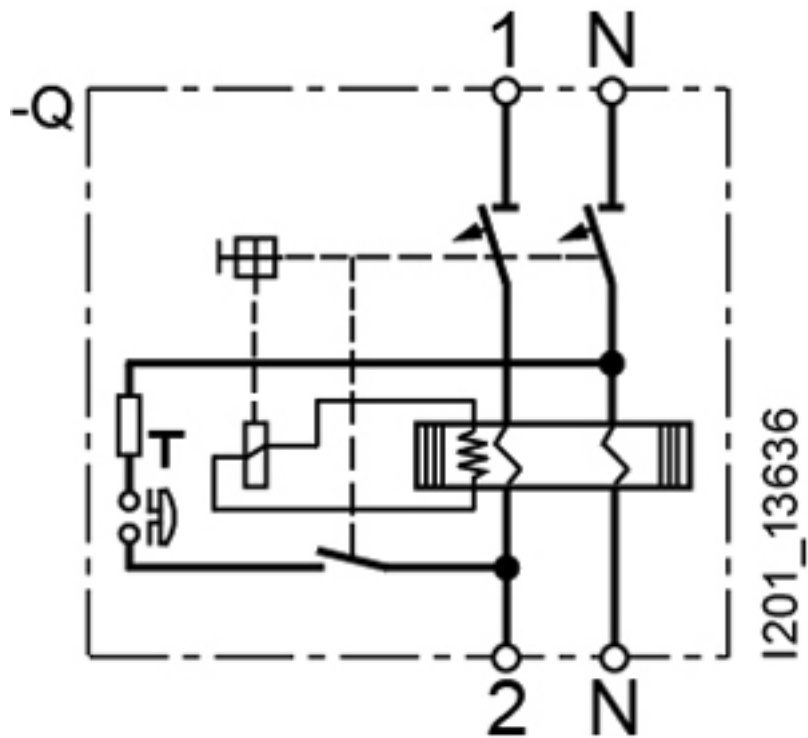
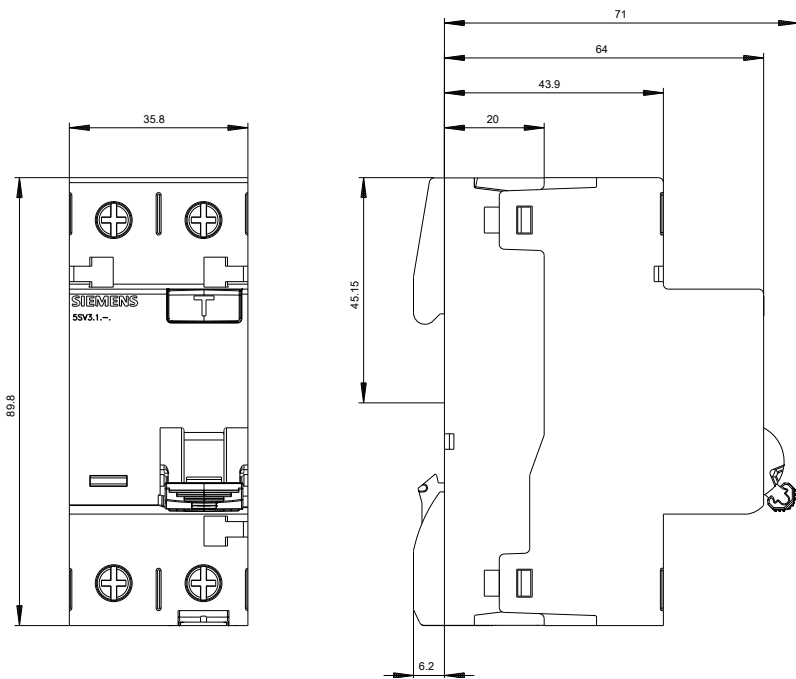
[http://www.automation.siemens.com/bilddb/cax\\_en.aspx?mlfb=5SV33146](http://www.automation.siemens.com/bilddb/cax_en.aspx?mlfb=5SV33146)

### CAX-Online-Generator

<http://www.siemens.com/cax>

### Tender specifications

<http://ausschreibungstexte.siemens.com/typv>



last modified:

11.03.2015