

ASSEMBLY KIT 3KA SWITCH DISC. FOR 3KA 55 / 57
/58 ON SUPPORT PLATE



Accessories

accessories

others

General Product Approval

Declaration of
Conformity

Test Certificates



[other](#)



[Type Test
Certificates/Test
Report](#)

[Special Test
Certificate](#)

Further information

Information- and Downloadcenter (Catalogs, Brochures,...)

<http://www.siemens.com/lowvoltage/catalogs>

Industry Mall (Online ordering system)

<https://eb.automation.siemens.com/mall/en/WW/Catalog/Product/8GK47074KK27>

Service&Support (Manuals, Certificates, Characteristics, FAQs,...)

<http://support.automation.siemens.com/WW/view/en/8GK47074KK27/all>

Image database (product images, 2D dimension drawings, 3D models, device circuit diagrams, ...)

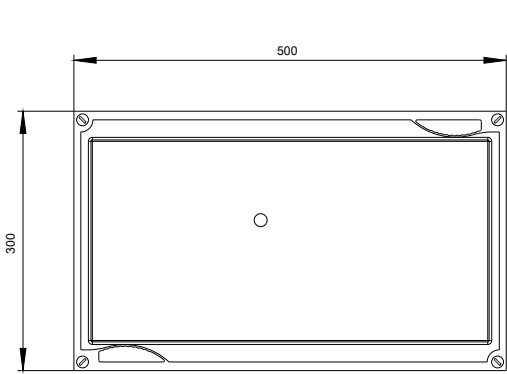
http://www.automation.siemens.com/bilddb/cax_en.aspx?mlfb=8GK47074KK27

CAX-Online-Generator

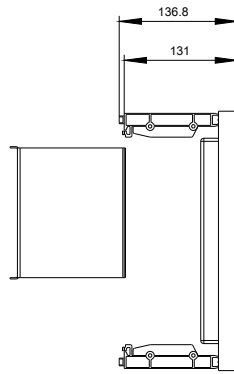
<http://www.siemens.com/cax>

Tender specifications

<http://ausschreibungstexte.siemens.com/tiplv>



last modified:



11.03.2015