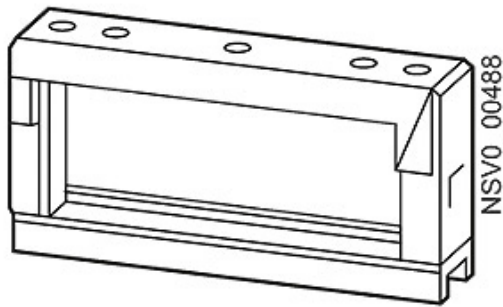


BD2-400-BB FIXING BRACKET



Model		
Product designation		fixing bracket (accessories) for BD2 busbar trunking system

Mechanical Design		
Height	mm	68
Width	mm	199
Length	mm	34
Mounting type		wall / ceiling / suspension

General Product Approval



Further information

**Information- and Downloadcenter (Catalogs, Brochures,...)**

<http://www.siemens.com/lowvoltage/catalogs>

**Industry Mall (Online ordering system)**

<https://eb.automation.siemens.com/mall/en/WW/Catalog/Product/BVP:045154>

**Service&Support (Manuals, Certificates, Characteristics, FAQs,...)**

<http://support.automation.siemens.com/WW/view/en/BVP:045154/all>

**Image database (product images, 2D dimension drawings, 3D models, device circuit diagrams, ...)**

[http://www.automation.siemens.com/bilddb/cax\\_en.aspx?mlfb=BVP:045154](http://www.automation.siemens.com/bilddb/cax_en.aspx?mlfb=BVP:045154)

**CAX-Online-Generator**

<http://www.siemens.com/cax>

**Tender specifications**

<http://ausschreibungstexte.siemens.com/tiplv>

last modified:

11.03.2015