

Modulostar® CMC10

FUSE HOLDERS, FUSE BASES AND SUPPORTS

IEC CYLINDRICAL FUSE HOLDERS



The innovative and comprehensive Modulostar® range of Mersen fuse-holders. Modular fuse-holders are finger-safe under IEC standards to an IP20 grade of protection, including fuse changing (with the flick of a finger). Modular fuse-holders are available in 1, 2, 3 or 4 poles, with or without visual blown fuse indicator. Multi-pole units can also be field assembled by ordering pin-ties assembly kit. Modulostar® range is made of tough and durable thermoplastic or thermoset material.

TECHNICAL DATA OVERVIEW

Voltage AC	690 VAC
Voltage DC	690 VDC
Amper (A)	32 A
SCCR	200kA
Mounting	Installation on to DIN rails to EN 60715
Product Size	For cylindrical fuse links 10x38 aM, gG and 10x38 Mersen Protistor®
Number of Poles	1 to 4 poles

FEATURES & BENEFITS

- Modular design
- Compact design for space saving
- DIN rail mounting
- Degree of protection: IP20
- Finger safe
- Easy access to the fuse
- Lockable without accessory
- Sealable in closed & open position
- Optional visual blown fuse indicator
- Multi-pole assembly kit available
- Plastic material UL94V2 mini
- Plastic material R22HL2 for railway application
- Flame retardant materials with glow wire flammability index to 960°C
- Schock and vibration tested for marine and railway applications

APPLICATIONS

- All circuits up to 690V for protection of motors, transformers, low voltage distribution, control circuits, drive protection, metering
- Non-load operation

STANDARDS

- IEC 60269-2 and IEC 60947-3 Compliance
- RoHS, Reach compliant
- Marine certificates



PRODUCT RANGE



CMC102



CMC103N



CMC1011



CMC1031

Modulostar® compact fuse-holders for 10.3x38.1 fuse-links, without indicator

Catalog number	Item number	Number of poles/phases	Design	Package	Weight
CMC101	P1062705	1	CMC10 single pole	12	45 g
CMC101N	G1062698	1 + N	CMC10 single pole + neutral conductor	6	95 g
CMC102	H1062699	2	CMC10 double pole	6	92 g
CMC103	E1062696	3	CMC10 triple pole	4	0.14 kg
CMC103N	Y1062690	3 + N	CMC10 triple pole + neutral conductor	3	0.19 kg
CMC104	Z1062691	4	CMC10 quadruple pole	3	0.19 kg
CMC810N	W1062688	N	CMC8 CMC10 neutral conductor	12	48 g

Modulostar® compact fuse-holders for 10.3x38.1 fuse-links, with standard indicator

Catalog number	Item number	Number of poles/phases	Design	Voltage limit for blown fuse indicator	Package	Weight
CMC101I	S1062708	1	CMC10 single pole	-	12	46 g
CMC101NI	J1062700	1 + N	CMC10 single pole + neutral conductor	-	6	95 g
CMC102I	L1062702	2	CMC10 double pole	-	6	93 g
CMC103I	F1062697	3	CMC10 triple pole	-	4	0.14 kg
CMC103NI	A1062692	3 + N	CMC10 triple pole + neutral conductor	-	3	0.19 kg
CMC104I	B1062693	4	CMC10 quadruple pole	-	3	0.19 kg
-	on demand	-	Version with special indicator	Standard: 220V-700V AC/DC Very low: 20V-50V AC/DC Low: 50V-250V AC/DC	-	-

TECHNICAL DATA

	CMC10	CMC10I
Size	10x38	10x38
Number of poles/phases	1, 1+N, 2, 3, 3+N, 4	1, 1+N, 2, 3, 3+N, 4
Conventional free air thermal current with fuse links I_{th}	32 A	32 A
Max. power dissipation of fuse links P_n	3W	3W
Max. power dissipation	4 W	4 W
Power dissipation of fuse-holder	0.4 W	0.4 W
Utilisation category	AC20B/DC20B	AC20B/DC20B
Rated insulation voltage U_i	1000 V	1000 V
SCCR	200 kA	200 kA
Rated impulse withstand voltage U_{imp}	6 kV	6 kV
Degree of protection	IP 20	IP 20
Voltage limit for blown fuse indicator	-	220V to 700VAC/DC
Indication System	-	with indicator
Operating temperature	-40°C to 70°C with carrier operation -50°C to 90°C without carrier operation	-40°C to 70°C with carrier operation -50°C to 90°C without carrier operation
Storage temperature	-40°C to 70°C	-40°C to 70°C
Connection	Max. tightening torque: 2Nm (17.7lbs.-in) Rigid / Stranded wire = 1-16mm ² (16-6AWG) Max. 2x6mm ² PZ2 or flat 5.5x1mm screw drivers recommended (max. diameter 6mm)	Max. tightening torque: 2Nm (17.7lbs.-in) Rigid / Stranded wire = 1-16mm ² (16-6AWG) Max. 2x6mm ² PZ2 or flat 5.5x1mm screw drivers recommended (max. diameter 6mm)
Vibration	Withstand on the 3 main axis*: Sinusoidal vibration testing according to IEC 60068-2-6 2 to 13Hz x= 1 mm peak 13 to 100Hz y= 0.7g peak according to french marine application Random vibration testing according to IEC 61373 Category 1 Class B	Withstand on the 3 main axis*: Sinusoidal vibration testing according to IEC 60068-2-6 2 to 13Hz x= 1 mm peak 13 to 100Hz y= 0.7g peak according to french marine application Random vibration testing according to IEC 61373 Category 1 Class B
Shock	Shock testing according to IEC 61373 Category 1 Class B Shock testing according to IEC 60068-2-27 15g/11ms/18 shocks * for specific usage please contact us	Shock testing according to IEC 61373 Category 1 Class B Shock testing according to IEC 60068-2-27 15g/11ms/18 shocks * for specific usage please contact us

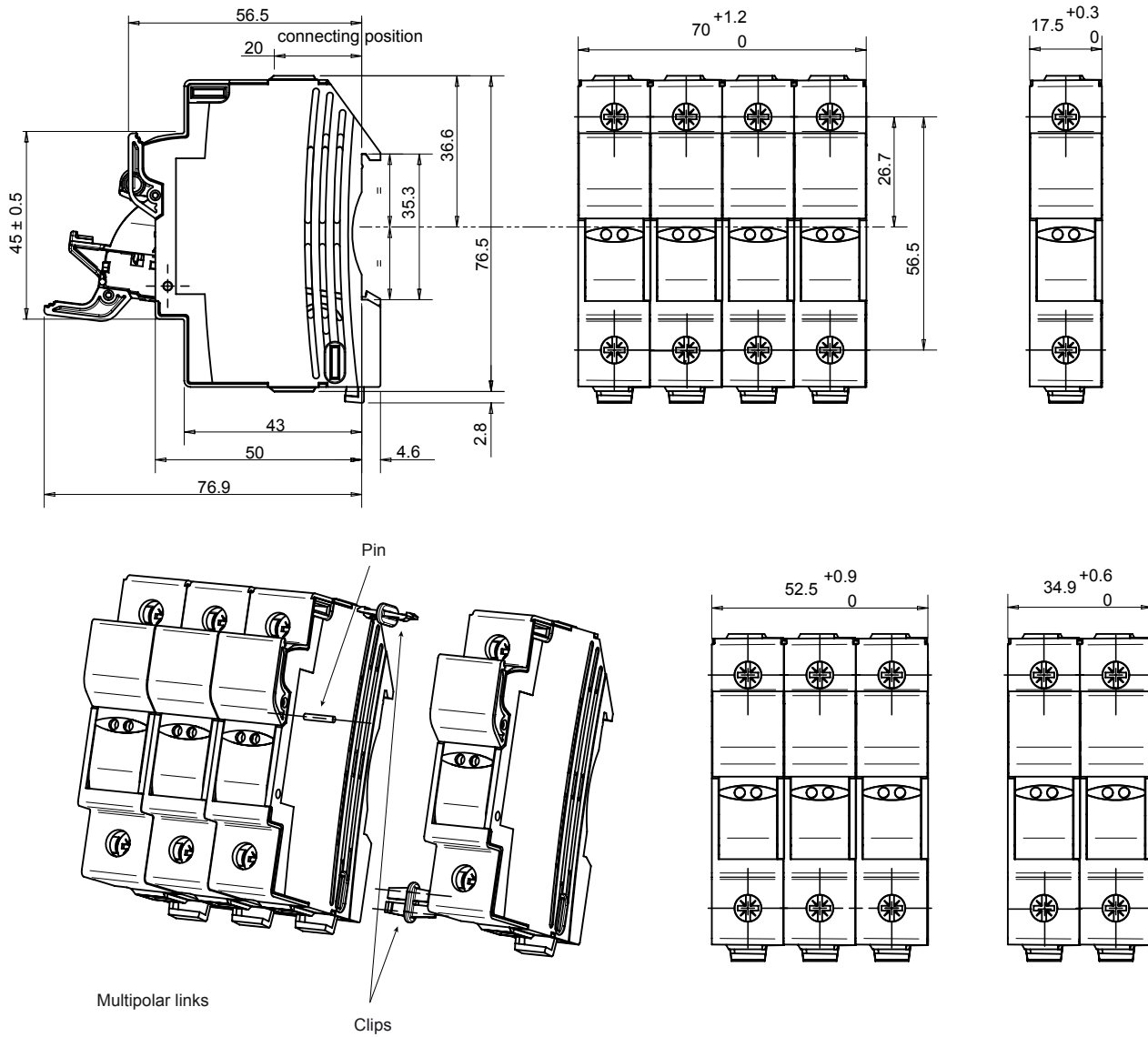
SPECIFIC USAGE CONDITIONS

Ambient temperature	-40° to 20°C	30°C	40°C	50°C	60°C	70°C	80°C	90°C
Derating factor (I_e)	1	1	1	0.92	0.83	0.73	0.62	0.48
Humidity	95%	90%	80%	50%	-	-	-	-
Dampness derating	1	0.95	0.90	-	-	-	-	-

No of poles (side by side)	1 to 3	>= 4
Derating factor of current (I_{th})	1	0.9

DIMENSIONS

MODULOSTAR® CMC10 fuse-holders for cylindrical fuse-links class 10x38mm



Dimensions in mm

ACCESSORIES



CMS810PAK

Kit for multi phase connection

Catalog number	Item number	Features	Package	Weight
CMS810PAK	Z233725	Links for connection of multipole units	12	0.5 g

ACCESSORIES



LOCK

Locking devices

Catalog number	Item number	Features	Package	Weight
LOCK	M223525	Padlock	1	0.48 kg



TBB1A



TBB1C



TBB23A

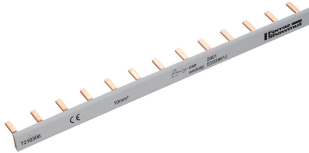


TBB23C

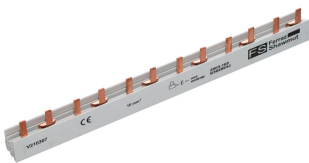
Power supply

Catalog number	Item number	Application	Features	Package	Weight
TBB1A	D210315	Max. rms current 90A	1 phase axial incoming power supply	50	10.1 g
TBB1C	E210316	Max. rms current 90A	1 phase lateral incoming power supply	50	10 g
TBB23A	F210317	Max. rms current 90A	2 & 3 phases axial incoming power supply	50	23.3 g
TBB23C	G210318	Max. rms current 90A	2 & 3 phases lateral incoming power supply	50	23.1 g

Wiring bars / Insulated bus bars



CMS810BB1F13



CMS810BB2F6

Catalog number	Item number	Application	Features	Package	Weight
CMS810BB1F13	T210306	Max. rms current 63A, for installation of 13 modules	single pole, 10 mm ² , partition 17,5 mm (distance of poles), peg design, L-shaped	10	33.5 g
CMS810BB2F6	V210307	Max. rms current 63A, for installation of 6 modules	double pole, 10 mm ² , partition 17,5 mm (distance of poles), peg design, L-shaped	10	80 g
CMS810BB3F4	W210308	Max. rms current 100A, for installation of 4 modules	triple pole, 10 mm ² , partition 17,5 mm (distance of poles), peg design, L-shaped	10	84 g
CMS810BB4F3	X210309	Max. rms current 100A, for installation of 3 modules	quadruple pole, 10 mm ² , partition 17,5 mm (distance of poles), peg design, L-shaped	10	0.12 kg

MERSEN reserves the right to change, update or correct, without notice, any information contained in this datasheet.