

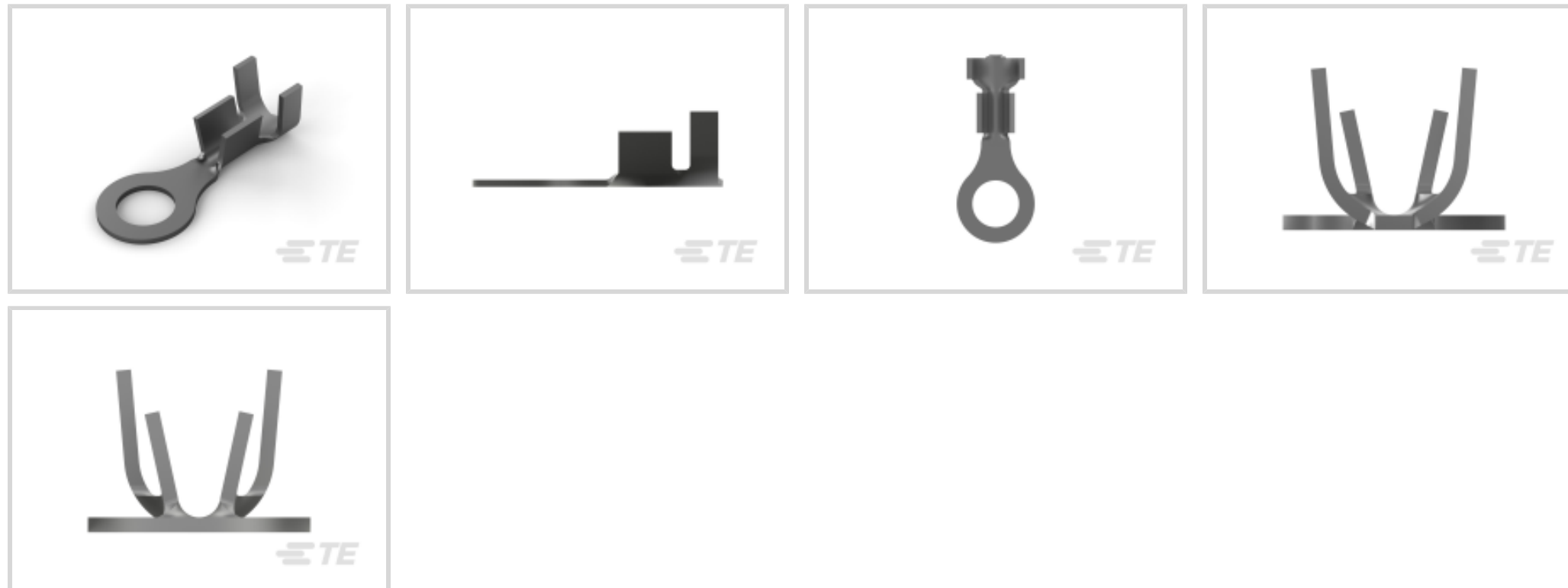
TE Internal #: 2178505-3

Ring Terminals & Spade Terminals, Ring Tongue, 18 – 14AWG Wire

Size, .8 – 2mm<sup>2</sup> Wire Size, 1600 – 4234CMA Wire Size, M4 / #8

[View on TE.com >](#)

Terminals & Splices > Ring Terminals & Spade Terminals



Terminal & Splice Type: **Ring Tongue**

Wire Size: **1600 – 4234 CMA**

Ring & Spade Stud Size: **#8, M4**

## Features

### Product Type Features

Shape Description	Circular/Oval
Ring & Spade Stud Size	#8, M4
Ring & Spade Barrel Type	Open Barrel
Sealable	No
Insulated	No
Ring & Spade Wire/Cable Type	Regular Wire
Support Style	Insulation Support

### Configuration Features

Number of Holes	1
Terminal Angle	Straight

### Body Features

Inspection Slot	No
Weight per Piece	.4 g[.014108 oz]
Ring & Spade Plating Material	Tin

### Contact Features

Contact Base Material	Brass
-----------------------	-------



Terminal & Splice Type	Ring Tongue
------------------------	-------------

Ring & Spade Terminal Orientation	Straight
-----------------------------------	----------

Underplating Material	None
-----------------------	------

### Mechanical Attachment

Wire Insulation Support	With
-------------------------	------

### Dimensions

	.105 in
--	---------

Wire Size	1600 – 4234 CMA
-----------	-----------------

Stud Diameter	4.5 mm[.177 in]
---------------	-----------------

Tongue Thickness	.51 mm[.02 in]
------------------	----------------

Ring & Spade Overall Length	16.76 mm[.66 in]
-----------------------------	------------------

Barrel Inside Diameter	1.42 mm, 4.06 mm[.055 in][.16 in]
------------------------	-----------------------------------

Ring & Spade Wire Insulation Diameter (Max)	4.32 mm[.17 in]
---------------------------------------------	-----------------

Ring & Spade Wire Insulation Diameter	2.67 – 4.32 mm[.105 – .17 in]
---------------------------------------	-------------------------------

### Usage Conditions

Operating Temperature Range	-40 – 110 °C[-40 – 230 °F]
-----------------------------	----------------------------

### Operation/Application

Heavy Duty	No
------------	----

### Industry Standards

Government Qualified	No
----------------------	----

### Packaging Features

Packaging Quantity	8000
--------------------	------

Ring & Spade Packaging Method	Strip/Reel
-------------------------------	------------

### Product Compliance

[For compliance documentation, visit the product page on TE.com>](#)

EU RoHS Directive 2011/65/EU	Compliant
------------------------------	-----------

EU ELV Directive 2000/53/EC	Compliant
-----------------------------	-----------

China RoHS 2 Directive MIIT Order No 32, 2016	No Restricted Materials Above Threshold
-----------------------------------------------	-----------------------------------------

EU REACH Regulation (EC) No. 1907/2006	Current ECHA Candidate List: JAN 2021 (211) Candidate List Declared Against: JAN 2021 (211)
----------------------------------------	------------------------------------------------------------------------------------------------------



Does not contain REACH SVHC

Halogen Content

Low Halogen - Br, Cl, F, I < 900 ppm per homogenous material. Also BFR/CFR/PVC Free

Solder Process Capability

Not applicable for solder process capability

Product Compliance Disclaimer

This information is provided based on reasonable inquiry of our suppliers and represents our current actual knowledge based on the information they provided. This information is subject to change. The part numbers that TE has identified as EU RoHS compliant have a maximum concentration of 0.1% by weight in homogenous materials for lead, hexavalent chromium, mercury, PBB, PBDE, DBP, BBP, DEHP, DIBP, and 0.01% for cadmium, or qualify for an exemption to these limits as defined in the Annexes of Directive 2011/65/EU (RoHS2). Finished electrical and electronic equipment products will be CE marked as required by Directive 2011/65/EU. Components may not be CE marked. Additionally, the part numbers that TE has identified as EU ELV compliant have a maximum concentration of 0.1% by weight in homogenous materials for lead, hexavalent chromium, and mercury, and 0.01% for cadmium, or qualify for an exemption to these limits as defined in the Annexes of Directive 2000/53/EC (ELV). Regarding the REACH Regulation, the information TE provides on SVHC in articles for this part number is based on the latest European Chemicals Agency (ECHA) 'Guidance on requirements for substances in articles' posted at this URL: <https://echa.europa.eu/guidance-documents/guidance-on-reach>

### Compatible Parts



TE Part # 170011-2  
RING STRIP 18-14 MM2 0.503 X 11.938  
TPBR



TE Part # 170011-8  
RING STRIP 18-14 MM2 0.503 X 11.938  
TPBR



TE Part # 440456-1  
67544-51 BS2 TERMINAL



TE Part # 170011-1  
RING STRIP 18-14 MM2 0.503 X 11.938  
BR



TE Part # 170011-3  
RING TERMINAL STRIP .165DIA



TE Part # 2150956-1  
OCEAN\_2.0\_APPLICATOR-E-120F180F



TE Part # 7-2150956-1  
OCEAN\_2.0\_APPLICATOR-E-120F180F



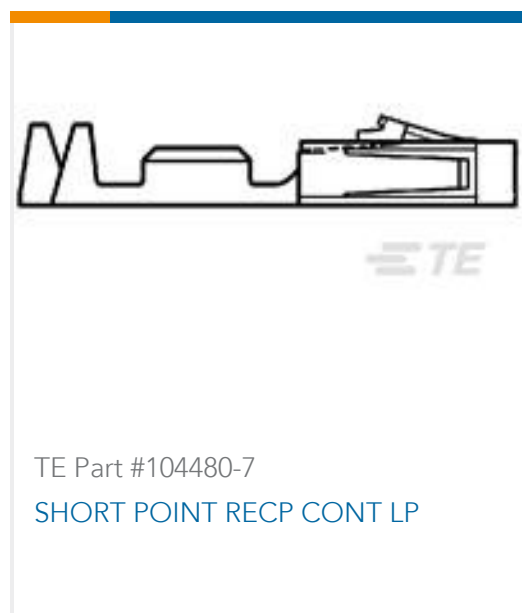
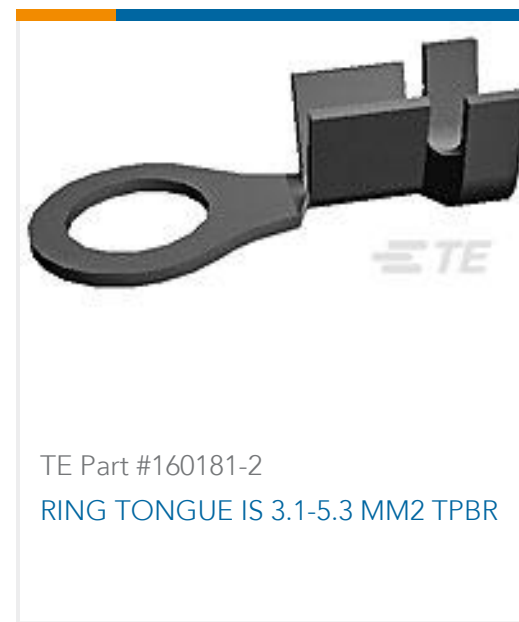
TE Part # 7-2150956-2  
OCEAN\_2.0\_APPLICATOR-E-120F180F



**KIT**  
REPRESENTATION ONLY

TE Part # 7-2150956-7  
OCEAN\_2.0\_SPARE\_PART\_KIT-120F180F

### Customers Also Bought



## Documents

### CAD Files

3D PDF

3D

Customer View Model

[ENG\\_CVM\\_CVM\\_2178505-3\\_B.2d\\_dxf.zip](#)

English

Customer View Model

[ENG\\_CVM\\_CVM\\_2178505-3\\_B.3d\\_igs.zip](#)

English

Customer View Model

[ENG\\_CVM\\_CVM\\_2178505-3\\_B.3d\\_stp.zip](#)

English

By downloading the CAD file I accept and agree to the [Terms and Conditions](#) of use.

### Product Specifications

[Application Specification](#)

English

### Product Environmental Compliance



**Product Compliance**

English

**Product Compliance**

English