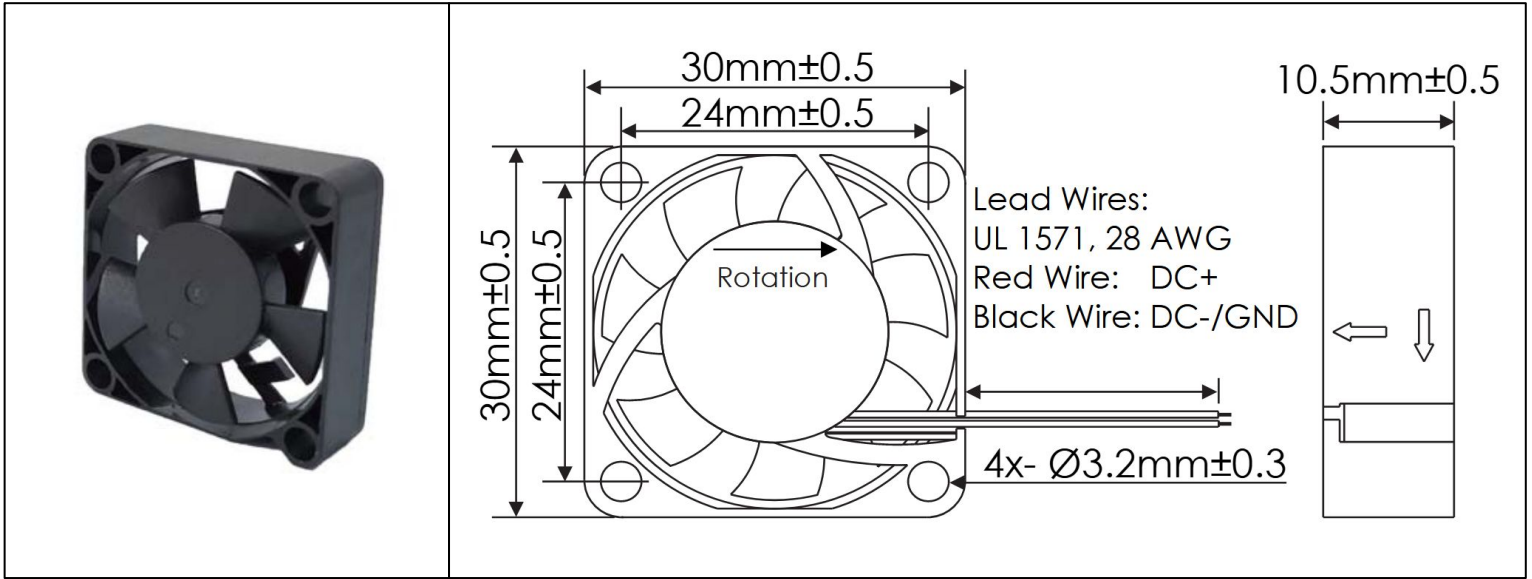


OD3010 Series



DC Fans - 5, 12V
30mm x 10mm (1.2" x 0.4")



| | | |
|------------------------------|---|---|
| Frame | PBT, UL94 V-0 Plastic | Operating Temperature -20°C ~ +65°C Storage Temperature -20°C ~ +70°C Life Expectancy 50,000 Hours (L10 at 45°C) Available Options Tachometer Output Alarm Output PWM Speed Control Input Weight: 0.02 lbs |
| Impeller | PBT, UL94 V-0 Plastic | |
| Connection | 2x Wire Leads, 28 AWG | |
| Motor | Brushless DC, Auto Cutoff, Auto Restart, Electronically Protected, Polarity Protected | |
| Bearing System | Ball Bearings | |
| Dielectric Strength | 500VDC/min, <1mA | |
| Insulation Resistance | ≥10M Ohm @ 500 VDC | |

| Part Number | Rated Voltage (Volts DC) | Voltage Range (Volts DC) | Input Power (Watts) | Rated Current (Amps) | Rated Speed (RPM) | Max Airflow (CFM) | Noise Level (dBA) | Max Static Pressure ("H ₂ O) |
|-------------|--------------------------|--------------------------|---------------------|----------------------|-------------------|-------------------|-------------------|---|
| OD3010-05HB | 5 | 4.5 ~ 5.5 | 1.1 | 0.21 | 11000 | 5.0 | 30.2 | 0.21 |
| OD3010-05MB | 5 | 4.5 ~ 5.5 | 1.1 | 0.21 | 9000 | 4.0 | 28.4 | 0.18 |
| OD3010-05LB | 5 | 4.5 ~ 5.5 | 0.9 | 0.18 | 8000 | 3.5 | 23.1 | 0.15 |
| OD3010-12HB | 12 | 11 ~ 13.8 | 1.5 | 0.12 | 11000 | 5.0 | 30.2 | 0.21 |
| OD3010-12MB | 12 | 11 ~ 13.8 | 1.5 | 0.12 | 9000 | 4.0 | 28.4 | 0.18 |
| OD3010-12LB | 12 | 11 ~ 13.8 | 1.2 | 0.10 | 8000 | 3.5 | 23.1 | 0.15 |