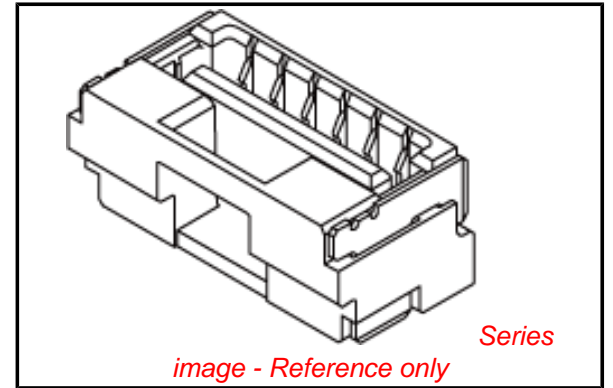


PLEASE CHECK WWW.MOLEX.COM FOR LATEST PART INFORMATION

Part Number: [502382-0370](#)
Status: **Active**
Overview: [CLIK-Mate™ Wire-to-Board Connectors](#)
Description: 1.25mm Pitch CLIK-Mate™ Wire-to-Board PCB Receptacle, Single Row, Vertical, 3 Circuits

Documents:

| | |
|---|---|
| 3D Model | Application Specification AS-502380-002 (PDF) |
| Drawing (PDF) | Packaging Specification SPK-502382-001 (PDF) |
| Product Specification PS-502382-001 (PDF) | RoHS Certificate of Compliance (PDF) |



General

| | |
|----------------|---|
| Product Family | PCB Receptacles |
| Series | 502382 |
| Application | Signal, Wire-to-Board |
| MolexKits | Yes |
| Overview | CLIK-Mate™ Wire-to-Board Connectors |
| Product Name | CLIK-Mate™ |

Physical

| | |
|--------------------------------|--------------------------------|
| Circuits (Loaded) | 3 |
| Circuits (maximum) | 3 |
| Color - Resin | Natural |
| Durability (mating cycles max) | 30 |
| Glow-Wire Compliant | No |
| Guide to Mating Part | Yes |
| Keying to Mating Part | Yes |
| Lock to Mating Part | Yes |
| Mated Height | 7.80mm |
| Material - Plating Mating | Tin |
| Material - Plating Termination | Tin |
| Material - Resin | High Temperature Thermoplastic |
| Number of Rows | 1 |
| Orientation | Vertical |
| PCB Locator | No |
| PCB Retention | None |
| Packaging Type | Embossed Tape on Reel |
| Pitch - Mating Interface | 1.25mm |
| Pitch - Termination Interface | 1.25mm |
| Plating min - Mating | 1.016µm |
| Plating min - Termination | 1.016µm |
| Polarized to Mating Part | Yes |
| Polarized to PCB | No |
| Stackable | No |
| Surface Mount Compatible (SMC) | Yes |
| Temperature Range - Operating | -25°C to +85°C |
| Termination Interface: Style | Surface Mount |

Electrical


| | |
|-------------------------------|-----------------|
| Current - Maximum per Contact | 1A |
| Voltage - Maximum | 50V AC (RMS)/DC |

Material Info

| | |
|-----|--------------|
| UPC | 822350895200 |
|-----|--------------|

Reference - Drawing Numbers

| | |
|---------------------------|---------------|
| Application Specification | AS-502380-002 |
|---------------------------|---------------|

| | |
|--|--|
| EU RoHS ELV and RoHS Compliant REACH SVHC Contains SVHC: No Low-Halogen Status Not Reviewed | China RoHS  |
|--|--|

Need more information on product environmental compliance?

Email productcompliance@molex.com
 For a multiple part number RoHS Certificate of Compliance, [click here](#)

Please visit the [Contact Us](#) section for any non-product compliance questions.

Search Parts in this Series

[502382Series](#)

Mates With

[502380 Crimp Housing](#)

Packaging Specification
Product Specification

SPK-502382-001
PS-502382-001, RPS-502382-002, RPS-502382-003,
RPS-502382-005, RPS-502382-006, RPS-502382-007,
RPS-502382-008, RPS-502382-011, RPS-502382-012,
RPS-502382-013, RPS-502382-016, RPS-502382-017,
RPS-502386-002
SD-502382-001, SD-502382-003

Sales Drawing

This document was generated on 06/19/2012

PLEASE CHECK WWW.MOLEX.COM FOR LATEST PART INFORMATION