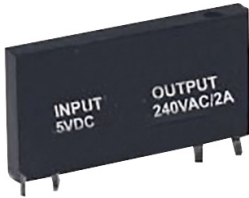


# PCB Mount Solid State Relay

## Single Phase AC Output

**multicomp** PRO

**RoHS  
Compliant**



### Description

This is AC output solid state relay with small size. The control voltage is 5V DC and 24V DC. Output current is 2A, output voltage is 240V AC. Suitable for high density PCB mounted or PLC control applications.

### Application

Suitable for high density PCB mounted or PLC control applications.

### Features

- TTL, COMS Drive Compatible
- Optoelectronics Isolation
- Control Voltage: 5V DC and 24V DC
- DIN Rail Mounted
- Standard Footprint Package
- Dielectric Strength 2500V ACrms

### Technical Specification

Input Circuit		
Control Voltage Range	5V DC	4-6V DC
	24 V DC	19.2-28.8V DC
Minimum Turn-on Voltage	5V DC	4V DC
	24V DC	19.2V DC
Minimum Turn-off Voltage	5V DC	1V DC
	24V DC	2.4V DC
Maximum Input Current		25mA
Output Circuit		
Load Voltage Range		24-280V AC
Maximum Transient Voltage		600Vpk
Load Current Range		0.1 - 2A
Maximum Turn-on Time	Zero Crossing	10ms
Maximum Turn-off Time		10ms
Maximum Surge Current [ @10 ms]		80A
Maximum Off-State Leakage Current [ @ Rated Voltage]		1.5mA
Maximum On-State Voltage Drop [ @ Rated Current]		1.5Vrms
Minimum Off-State dv/dt [ @ Maximum Rated Voltage]		200V/μs

Newark.com/multicomp-pro  
Farnell.com/multicomp-pro  
Element14.com/multicomp-pro

**multicomp** PRO

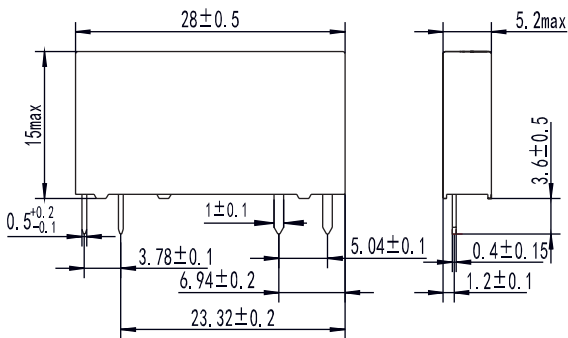
# PCB Mount Solid State Relay

## Single Phase AC Output

**multicomp** PRO

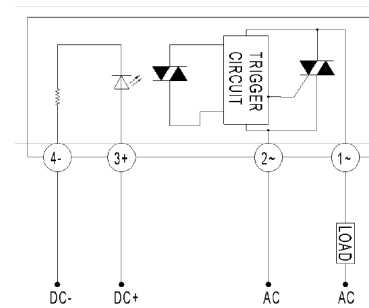
General Information	
Dielectric Strength, Input/Output(50/60Hz)	2500Vrms
Insulation Resistance	1000MΩ(@500V DC)
Ambient Operating Temperature Range	-30°C ~ +80°C
Ambient Storage Temperature Range	-30°C ~ +100°C
Weight (Typical)	4g

### Installation Drawing

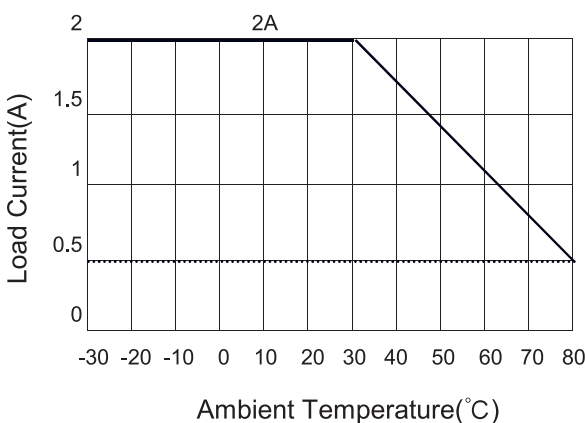


Dimensions : Millimetres

### Wiring Diagram



### Thermal Curve



Newark.com/multicomp-pro  
 Farnell.com/multicomp-pro  
 Element14.com/multicomp-pro

**multicomp** PRO

# PCB Mount Solid State Relay

## Single Phase AC Output

**multicomp** PRO

### Part Number Table

Description	Part Number
SSR, PCB Mount, 2A, 240V AC, 24V DC, Zero Crossing	MC002257
SSR, PCB Mount, 2A, 240V AC, 5V DC, Zero Crossing	MC002258

**Important Notice :** This data sheet and its contents (the "Information") belong to the members of the AVNET group of companies (the "Group") or are licensed to it. No licence is granted for the use of it other than for information purposes in connection with the products to which it relates. No licence of any intellectual property rights is granted. The Information is subject to change without notice and replaces all data sheets previously supplied. The Information supplied is believed to be accurate but the Group assumes no responsibility for its accuracy or completeness, any error in or omission from it or for any use made of it. Users of this data sheet should check for themselves the Information and the suitability of the products for their purpose and not make any assumptions based on information included or omitted. Liability for loss or damage resulting from any reliance on the Information or use of it (including liability resulting from negligence or where the Group was aware of the possibility of such loss or damage arising) is excluded. This will not operate to limit or restrict the Group's liability for death or personal injury resulting from its negligence. Multicomp Pro is the registered trademark of Premier Farnell Limited 2019.

Newark.com/multicomp-pro  
Farnell.com/multicomp-pro  
Element14.com/multicomp-pro

**multicomp** PRO