

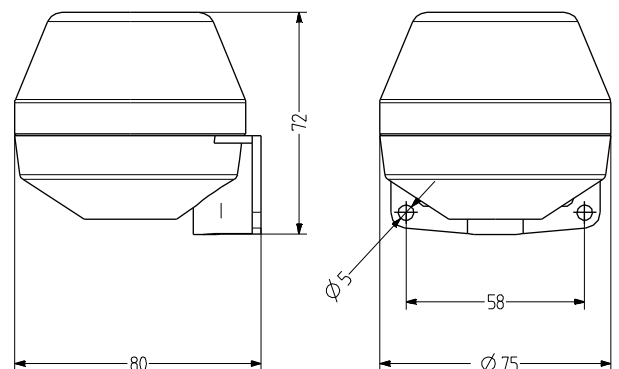
## KDH Mini horn

- Electromechanical horn without cone
- For universal audible applications
- Degree of protection IP 43
- Fully developed and proven technology - typical horn tone
- Comprehensive range of AC and DC nominal voltages
- Attractive price/performance ratio



### TECHNICAL DATA

Housing	ABS grey (RAL 7035)
Type of mounting	Wall mounting, Sound outlet opening at bottom
Cable entry	Back
Connection technology	Terminal up to 2,5 mm <sup>2</sup>
Tone	Steady tone
Volume	92 dB
Duty cycle	100 %
Operating temperature	-25 °C / +50 °C
Degree of protection	IP43 & NEMA type 2
Weight	150 g



# KDH

## ORDER DATA

Nominal voltage	Voltage range (V)	Nominal current (A)	Mains frequency	Order number
12 V DC	+/- 10 %	0,055		710 000 004
24 V AC	+/- 10 %	0,090	50 Hz	710 000 105
24 V DC	+/- 10 %	0,026		710 000 005
48 V AC	+/- 10 %	0,060	50 Hz	710 000 108
110 V AC	+/- 10 %	0,021	50 Hz	710 000 110
110 V DC	+/- 10 %	0,011		710 000 008
220 V DC	+/- 10 %	0,011		710 000 013
230 V AC	+/- 10 %	0,011	50 Hz	710 000 113

