

Features

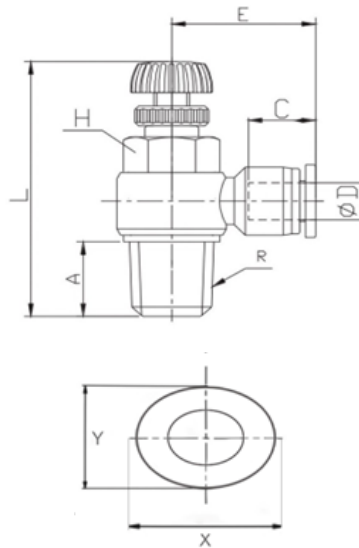
- One-Touch tube fittings are used in pneumatics piping
- The tube fittings come in a wide variety of models to meet all your needs in pneumatics piping
- Even after installation, the direction of the tube can be changed freely
- Nickel-Plated metal brass ensures Anti-Corrosion and Anti-Contamination
- All R and NPT threads are Pre-Coated sealant
- All cylindrical threads are standard with O-Ring seals



Specification

Medium	Air, Vacuum
Operating Pressure	0-1.0 Mpa
Max Pressure	1.5 Mpa
Operating Temperature	5-60 °C
Body Material	Brass / Polybutylene terephthalate (PBT)

Product Range & Drawing



Part Number	øD (mm)	R	A (mm)	H (mm)	E (mm)	C (mm)	L (mm)	
							min	max
RND 425-00157	6	R 1/8	7.5	10	23	14.4	36	41.4
RND 425-00158	6	R 1/4	10	14	24.5	14.4	43.2	49.3
RND 425-00159	6	R 3/8	11	19	27.5	14.4	47.2	53.3
RND 425-00160	6	R 1/2	14	22	28.5	14	54.5	62
RND 425-00161	8	R 1/8	7.5	10	26.5	17.4	36	41.4
RND 425-00162	8	R 1/4	10	14	27	17.4	43.2	49.3
RND 425-00163	8	R 3/8	11	19	30	17.4	47.2	53.3
RND 425-00164	8	R 1/2	14	22	31.5	17.4	53	58.8
RND 425-00165	10	R 1/4	10	14	29.5	19	43.2	49.3
RND 425-00166	10	R 3/8	11	19	30	19	47.2	53.3
RND 425-00167	10	R 1/2	14	22	32.5	19	53	58.8
RND 425-00168	12	R 1/4	10	14	31	21.6	43.2	49.3
RND 425-00169	12	R 3/8	11	19	33.2	21.6	47.2	53.3
RND 425-00170	12	R 1/2	14	22	36	21.6	53	58.8