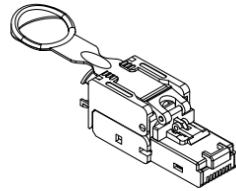
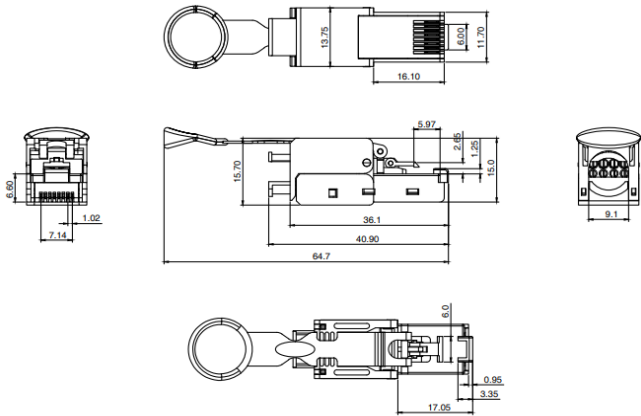


|  |         |    |     |
|--|---------|----|-----|
|  | REVISED | DR | APP |
|  |         |    |     |
|  |         |    |     |



**NOTES:**

- ELECTRICAL:**
- Contact Resistance : 20MΩ MAX
  - Insulation Resistance : 500MΩ MIN @ 500V DC
  - Withstand Voltage : DC 1000V AC 700V RMS 60Hz, 1MIN
  - Component testing for : ANSI-TIA568, 2-D MPTL requirements  
IEC 60603-7-5  
CAT. 6A /Class EA MPTL Test pass

- ENVIRONMENTAL:**
- Storage temperature : -40° TO+70°
  - Operation temperature : -10° to+60°

- MECHANICAL**
- Housing MATERIAL: Zinc alloy
  - IDC MATERIAL: PC TERMINAL:PHOSPHOR BRONZE, TIN PLATING
  - RJ45 Contact Life: 750 Times Min
  - Plug inforce:<30N
  - Solid cable:1/22AWG (0.65MM)-1/26AWG (0.4MM) ID:1.1MM-1.6MM
  - Stranded cable:7/24AWG (7/0.20mm)-7/27AWG (7/0.14mm) ID:1.1MM-1.6MM
  - Cable OD: 5.0mm-8.5mm
  - PoE per IEEE 802.3af, PoE+ per IEEE 802.3at, PoE++ per IEEE 802.3bt, RoHS 2.0 and REACH Compliant
  - Packing: 1pcs/PE Bag + Label

The field assembly plug is used for connection of network cables, you can use different cable types use. The field assembly plug is used for connection of network cables, you can use different cable types use.

When you pull the tab, you unlock the RJ-45 plug from the socket. The pulling mechanism pushes the snap-in lock down, so there is no need to press the snap-in lock protector, which is usually tedious. Perfect for patch panels that have to be reconfigured frequently.

- Connections: Insulation-displacement connector (IDC) to RJ-45 plug
- Fit for solid wires 1/22AWG to 1/26AWG
- Fit for stranded wires 7/24AWG to 7/27AWG
- For wire OD (incl. insulator): from 1.1 - 1.6mm
- For cable diameters (incl. cable jacket) from 5.0 - 8.5mm
- Specification: Cat. 6A (Class EA)
- Shielding class: STP
- Qualified for: T568A, T568B, PoE IEEE 802.3af - PoE++ IEEE 802.3bt
- Housing material: zinc alloy
- Tool-less installation, EasyPull feature
- Color: silver

- Package Contents:
- RJ-45 plug
  - Cable manager
  - Cable tie



|               |                             |   |
|---------------|-----------------------------|---|
| Sheel         | Zinc alloy                  |   |
| Housing       | Zinc alloy                  |   |
| MODULAR COVER | PC label color code T568A/B |   |
| RJ 45 Plug    | 8P8C GOLD PLATED            |   |
| PCB           | 1.0mm UL 94V0               |   |
| IDC PIN       | PHOSPHOR BRONZE & TINNED    |   |
| IDC TERMINAL  | FOR 22-27AWG CABLE          |   |
| NO            | PART NAME                   | PICTURES AND COLORS CAN DIFFER FROM THE PRODUCT |

|                               |    |   |            |          |  |     |            |
|-------------------------------|----|---|------------|----------|--|-----|------------|
| DESCRIPTION                   |    | RJ-45 PLUG, TOOLLESS, EASY PULL, STP, CAT. 6A |            |          |  |     |            |
| SIZE                          | A4 | DATE  | 28.01.2022 | CHECKED  |  | TOL |            |
| UNIT                          | MM | DRAWN   | R.Hueller  | APPROVED |  |     | BS08-51004 |
| CUSTOM TARIF NO.: 85366990000 |    |   |            |          |  |     |            |

