

277158-1 ✓ ACTIVE

## COPALUM

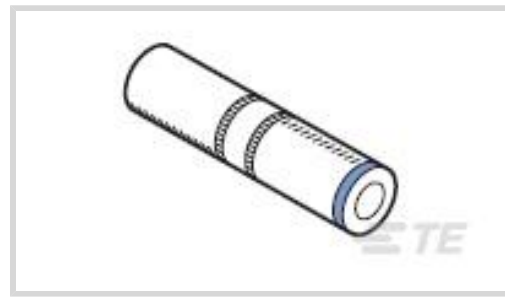
TE Internal #: 277158-1

Splices, Splice, Splice, 6AWG Wire Size, 13.8mm<sup>2</sup> Wire Size, Sealable

[View on TE.com >](#)



Terminals & Splices > Splices > COPALUM Sealed: Butt Splices



Splice Product Type: **Splice**

Terminal & Splice Type: **Splice**

Wire Size: **13.8 mm<sup>2</sup>**

Sealable: **Yes**

[All COPALUM Sealed: Butt Splices \(11\)](#)

### Features

#### Product Type Features

Splice Product Type	Splice
Sealable	Yes
Splice Type	Butt Splice
Serrated	No
Splice Accessory Type	Splice
Splice Barrel Type	Open
Splice Wire/Cable Type	Aluminum, Copper

#### Body Features

Weight per Piece	27.96 g
Splice Material	Copper

#### Contact Features

	100 μin
Contact Plating Material	Nickel
Terminal & Splice Type	Splice

#### Dimensions

Wire Size	26818 CMA
Splice Wire Insulation Diameter (Max)	7.37 mm[.29 in]
Splice Material Thickness	2.41 mm[.095 in]



Splice Overall Length 57.4 mm[2.26 in]

### Usage Conditions

Insulation Requirement Uninsulated

### Packaging Features

Packaging Quantity 25

Splice Packaging Method Box

### Other

Comment For Al-Al applications, splices will accept the same wire size at either end. For Al-to-Cu applications, however, the size of the Cu wire must be "stepped down" 2 wire sizes to compen. for the diff. in the elect. properties of Copper and Aluminum.

## Product Compliance

[For compliance documentation, visit the product page on TE.com>](#)

EU RoHS Directive 2011/65/EU Compliant

EU ELV Directive 2000/53/EC Compliant

China RoHS 2 Directive MIIT Order No 32, 2016 No Restricted Materials Above Threshold

EU REACH Regulation (EC) No. 1907/2006  
 Current ECHA Candidate List: JAN 2021 (211)  
 Candidate List Declared Against: JUN 2020 (209)  
 SVHC > Threshold:  
 Not Yet Reviewed


Halogen Content Low Halogen - Br, Cl, F, I < 900 ppm per homogenous material. Also BFR/CFR/PVC Free

Solder Process Capability Not applicable for solder process capability

#### Product Compliance Disclaimer

This information is provided based on reasonable inquiry of our suppliers and represents our current actual knowledge based on the information they provided. This information is subject to change. The part numbers that TE has identified as EU RoHS compliant have a maximum concentration of 0.1% by weight in homogenous materials for lead, hexavalent chromium, mercury, PBB, PBDE, DBP, BBP, DEHP, DIBP, and 0.01% for cadmium, or qualify for an exemption to these limits as defined in the Annexes of Directive 2011/65/EU (RoHS2). Finished electrical and electronic equipment products will be CE marked as required by Directive 2011/65/EU. Components may not be CE marked. Additionally, the part numbers that TE has identified as EU ELV compliant have a maximum concentration of 0.1% by weight in homogenous materials for lead, hexavalent chromium, and mercury, and 0.01% for cadmium, or qualify for an exemption to these limits as defined in the Annexes of Directive 2000/53/EC (ELV). Regarding the REACH Regulation, the information TE provides on SVHC in articles for this part number is based on the latest European Chemicals Agency (ECHA) 'Guidance on requirements for substances in articles' posted at this URL: <https://echa.europa.eu/guidance-documents/guidance-on-reach>

## Compatible Parts



TE Part # 1490557-1  
HYP10 COPALUM SEALED 4AWG DIE SET



TE Part # 68008-1  
DIE ASSY #4 SEALED COPALUM SET

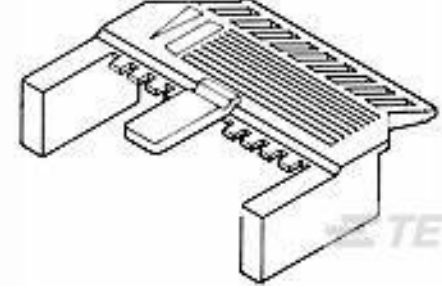
## Customers Also Bought



TE Part #38943-20L  
CONTACTS (=724-0007-20)



TE Part #225554-6  
TNC RT ANG PLUG DUAL W/P



TE Part #2-102537-3  
50 AMPMODU MT COVER DR .100CL



TE Part #277157-1  
COPALUM Sealed: Butt Splices



TE Part #YDTS26W25-61SNV001  
D38999: Straight Plug, 25-61 Insert



TE Part #277149-4  
TERMINAL,COPALUM R 4 3/8




TE Part #2226920-1  
NETT WARRIOR RECEPTACLE ASSEMBLY



TE Part #218654-001  
22759/41-10-9



TE Part #443095-000  
82A0111-6-9



TE Part #131232-1  
TNC E TYPE PLUG ASSY

## Documents

[Product Drawings](#)  
[SPLICE,COPALUM BUTT 4](#)

English

[CAD Files](#)  
[3D PDF](#)

[3D](#)



### Customer View Model

[ENG\\_CVM\\_CVM\\_277158-1\\_J.2d\\_dxf.zip](#)

English

### Customer View Model

[ENG\\_CVM\\_CVM\\_277158-1\\_J.3d\\_igs.zip](#)

English

### Customer View Model

[ENG\\_CVM\\_CVM\\_277158-1\\_J.3d\\_stp.zip](#)

English

By downloading the CAD file I accept and agree to the [Terms and Conditions](#) of use.

---

### Datasheets & Catalog Pages

[COPALUM Lite Sealed Terminals and Splices](#)

English

---

### Product Specifications

[Application Specification](#)

English