

Separate actuator, with vertical fixing for position switch with tumbler 3SE5312/3SE5322 and AS-i 3SF13 and position switch with separate actuator 3SE51/3SE52 and AS-i 3SF11/3SF12






<b>Product brand name</b>	SIRIUS
<b>Product designation</b>	actuator
<b>Product type designation</b>	3SE5
<b>General technical data</b>	
<b>Shock resistance</b>	
• acc. to IEC 60068-2-27	30 g / 11 ms
<b>Vibration resistance</b>	
• acc. to IEC 60068-2-6	0.35 mm/5g
<b>Mechanical service life (switching cycles)</b>	
• typical	1 000 000
<b>Active principle</b>	mechanical
<b>Drive Head</b>	
<b>Design of the operating mechanism</b>	Actuator with vertical attachment, die-cast zinc
<b>Ambient conditions</b>	
<b>Ambient temperature</b>	
• during operation	-25 ... +85 °C
• during storage	-40 ... +90 °C

## Installation/ mounting/ dimensions

Mounting position	any
Mounting type	screw fixing

## Certificates/approvals

General Product Approval	Functional Safety/Safety of Machinery	Test Certificates	other		
 CSA	 UR		<a href="#">Type Examination Certificate</a>	<a href="#">Type Test Certificates/Test Report</a>	<a href="#">Confirmation</a>

## Further information

### Information- and Downloadcenter (Catalogs, Brochures,...)

<http://www.siemens.com/industrial-controls/catalogs>

### Industry Mall (Online ordering system)

<https://mall.industry.siemens.com/mall/en/en/Catalog/product?mlfb=3SE5000-0AV02>

### Cax online generator

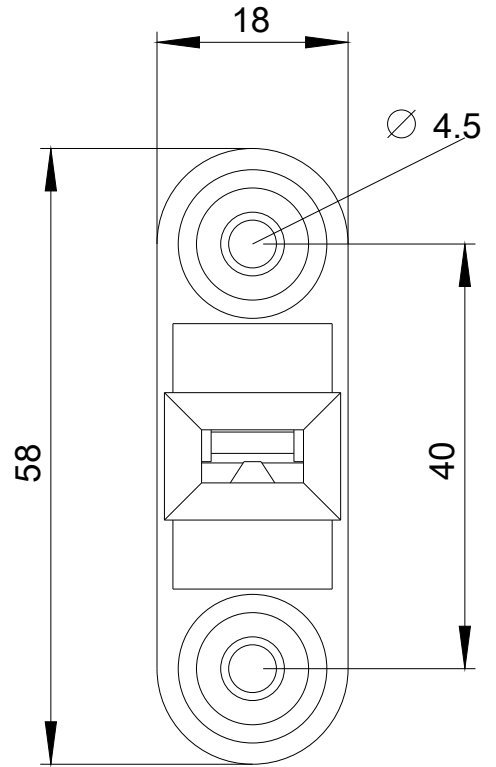
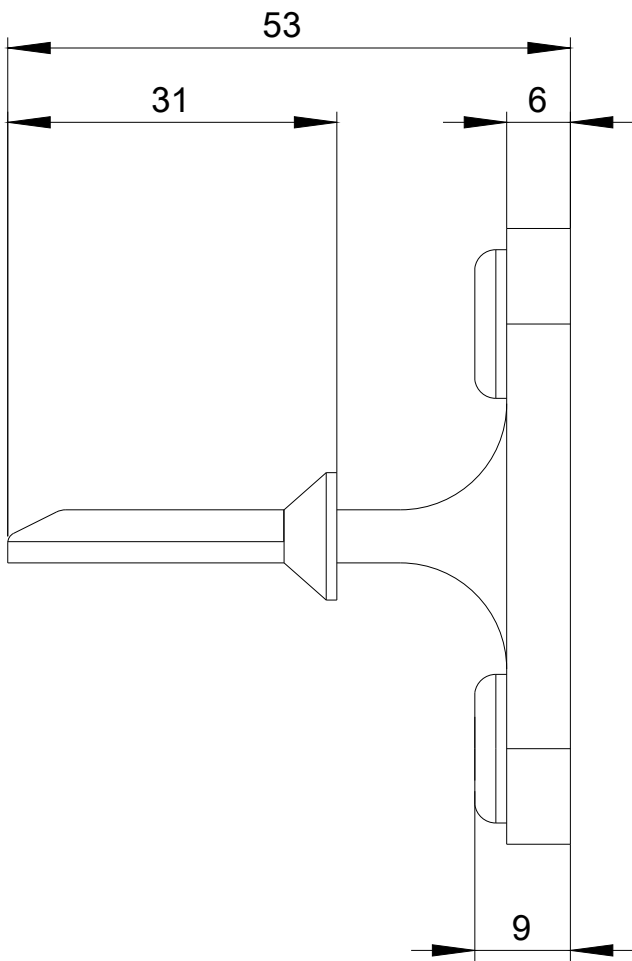
<http://support.automation.siemens.com/WW/CAXorder/default.aspx?lang=en&mlfb=3SE5000-0AV02>

### Service&Support (Manuals, Certificates, Characteristics, FAQs,...)

<https://support.industry.siemens.com/cs/ww/en/ps/3SE5000-0AV02>

### Image database (product images, 2D dimension drawings, 3D models, device circuit diagrams, EPLAN macros, ...)

[http://www.automation.siemens.com/bilddb/cax\\_de.aspx?mlfb=3SE5000-0AV02&lang=en](http://www.automation.siemens.com/bilddb/cax_de.aspx?mlfb=3SE5000-0AV02&lang=en)



last modified:

11/17/2018