

Features:

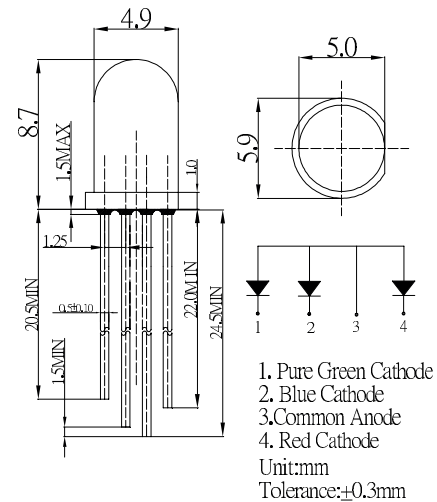
- High Luminosity LEDs
- 5mm Round Standard Directivity
- Superior Weather-resistance
- Water Clear Type
- Common Anode Type

Applications

- Toys
- Games
- Audio
- Other Lighting



Outline dimensions:



Absolute maximum rating (Ta=25°C)

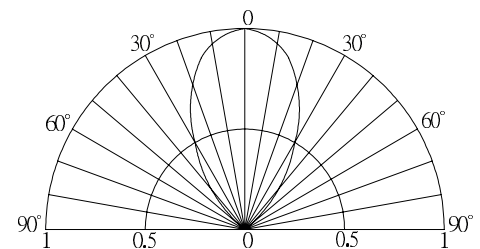
Item	Symbol	Value		Unit
		Red	Blue/Green	
DC forward current	I_F	50	30	mA
Pulse forward current*	I_{FP}	120	100	mA
Reverse voltage	V_R	5	5	V
Power dissipation	P_D	130	108	mW
Operating temperature	T_{opr}	-30 to +85		°C
Storage temperature	T_{stg}	-40 to +100		°C
Lead soldering temperature	T_{sol}	260°C/5sec		-

*Pulse width max. 10ms. Duty ratio max. 1/10

Electrical - Optical characteristics (Ta=25°C)

Item	Symbol	Condition	Min.	Typ.	Max.	Unit
DC forward voltage	$V_F (R)$	$I_F = 20mA$	1.8	2.1	2.6	V
	$V_F (B/G)$	$I_F = 20mA$	2.9	3.1	3.6	V
DC reverse current	I_R	$V_R = 5V$	-	-	10	μA
Dominant Wavelength*	$\lambda_D (Red)$	$I_F = 20mA$	620	625	630	nm
	$\lambda_D (Blue)$	$I_F = 20mA$	465	470	475	nm
	$\lambda_D (Green)$	$I_F = 20mA$	520	525	530	nm
Luminous intensity*	$I_V (Red)$	$I_F = 20mA$	1120	1560	-	mcd
	$I_V (Blue)$	$I_F = 20mA$	750	1120	-	mcd
	$I_V (Green)$	$I_F = 20mA$	1560	2180	-	mcd
50% Power angle	$2\theta_{1/2}$	$I_F = 20mA$	-	60	-	deg

Directivity:



*1 Tolerance of measurements of dominant wavelength is +1nm

*2 Tolerance of measurements of luminous intensity is +15%

*3 Tolerance of measurements of forward voltage is ±0.1V