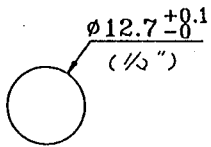

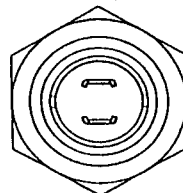
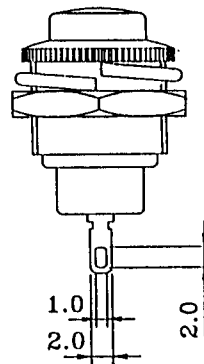
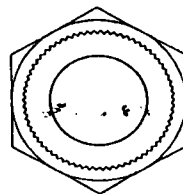
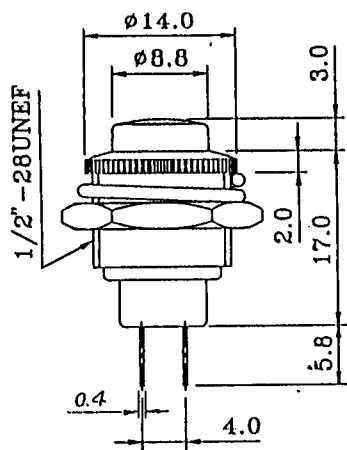


Push switches

Order code	Manufacturer code	Description
78-1550	n/a	LRG RED PUSH TO MAKE SWITCH (RC)

Push switches	Page 1 of 2
The enclosed information is believed to be correct, Information may change without notice due to product improvement. Users should ensure that the product is suitable for their use. E. & O. E.	Revision A 20/02/2007

規格 Rating	3A 125V, 1.5A 250V AC	裝配孔 Mount Hole	線路圖 Circuit Structure
接觸電阻 Contact R	50m ohm Max.		
絕緣電阻 Insulation R	DC 500V 100M ohm Min.		
耐電壓 Dielectric Strength	AC 1000V 1 minute		
動作特性 Circuit	2P SPST OFF-(ON)		



發行
85.5.21
工程課