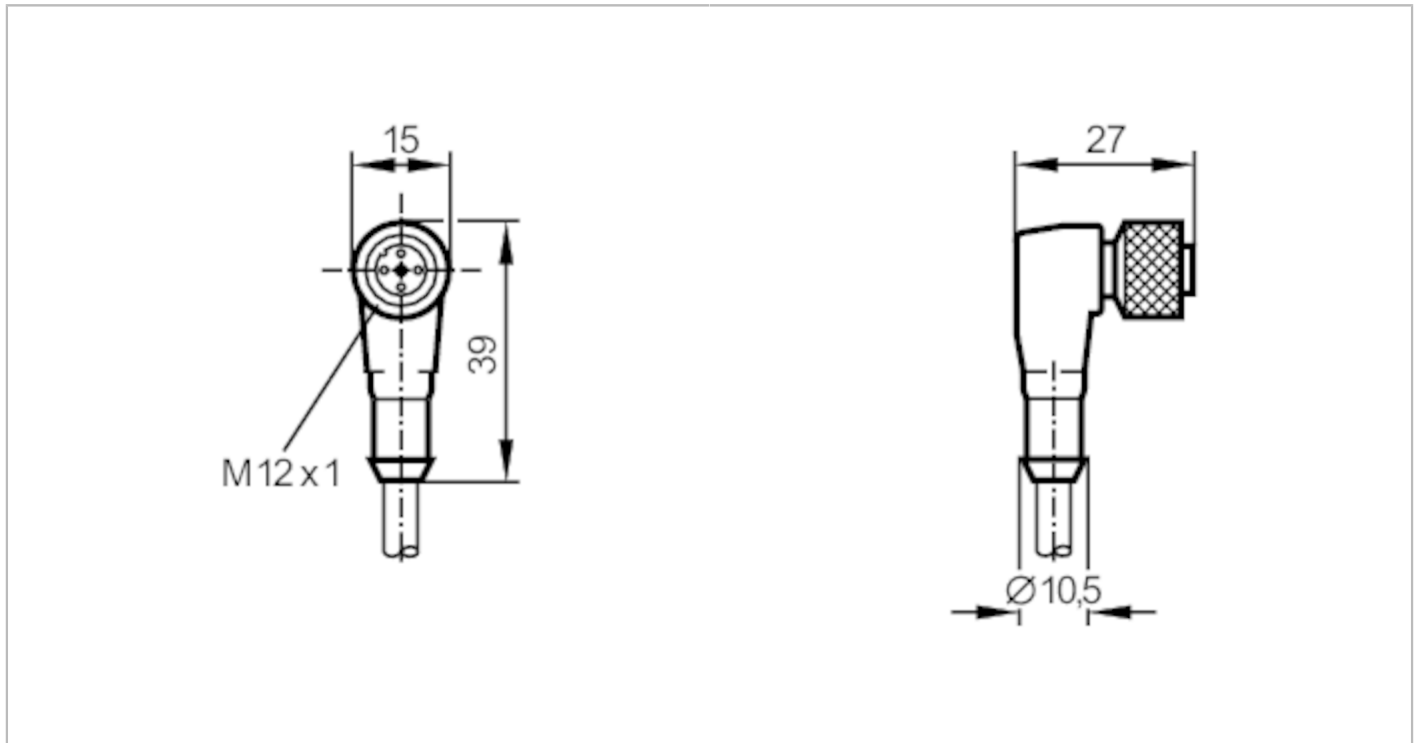


E10866



Connecting cable with socket

ADOAH030MSS0005E03



Electrical data

| | | |
|-------------------|-----|---------------------|
| Operating voltage | [V] | < 250 AC / < 300 DC |
|-------------------|-----|---------------------|

Operating conditions

| | | |
|---------------------|------|----------|
| Ambient temperature | [°C] | -25...90 |
| Protection | | IP 67 |

Mechanical data

| | | |
|--------------|------|----------------------|
| Weight | [g] | 198.3 |
| Dimensions | [mm] | 27 x 15 x 39 |
| Materials | | TPU |
| Material nut | | brass, nickel-plated |

Remarks

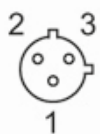
| | | |
|---------------|--|--------|
| Pack quantity | | 1 pcs. |
|---------------|--|--------|

Electrical connection

Cable: 5 m, PVC, orange, Ø 5 mm; 3 x 0.34 mm² (19 x Ø 0.16 mm) / AWG 22

Electrical connection - socket

Connector: 1 x M12, angled; Moulded body: TPU; Locking: brass, nickel-plated; Tightening torque: 0.5 Nm



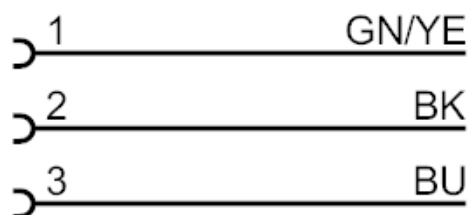
E10866



Connecting cable with socket

ADOAH030MSS0005E03

Connection



Core colours :

BK = black

BU = blue

GN/YE = green/yellow