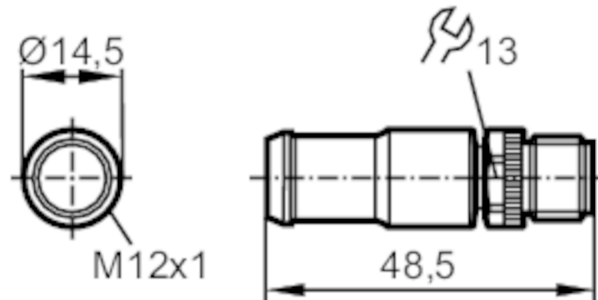


E11590



Wirable plug with CAN bus terminating resistor

SSTGH050ZDAFKPG



Application

Special feature	Gold-plated contacts
Application	CAN bus

Operating conditions

Ambient temperature	[°C]	-40...85
Protection		IP 68

Mechanical data

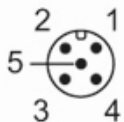
Weight	[g]	11.8
Dimensions	[mm]	14.5 x 14.5 x 48.5
Materials		TPU
Material nut		diecast zinc, nickel-plated

Remarks

Pack quantity	1 pcs.
---------------	--------

Electrical connection - plug

Connector: 1 x M12, straight; Moulded body: TPU; Locking: diecast zinc, nickel-plated; Contacts: gold-plated



E11590



Wirable plug with CAN bus terminating resistor

SSTGH050ZDAFKPG

Connection

