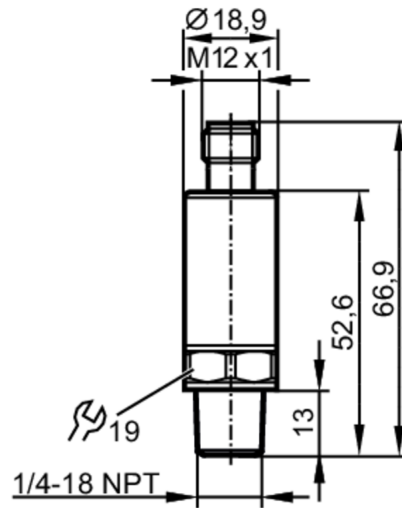


PT2415



Pressure transmitter

PT-010PSEN14-A-ZVG/US/ IW



Product characteristics

Output signal	analogue signal
Measuring range [psi]	0...100
Process connection	threaded connection 1/4 NPT external thread

Application

Application	for industrial applications
Media	liquids and gases
Medium temperature [°C]	-40...90
Pressure rating [psi]	250
Note on pressure rating	static
Min. bursting pressure [psi]	2900
Vacuum resistance [psi]	-14.5
Type of pressure	relative pressure
MAWP (for applications according to CRN) [bar]	17.3
MAWP (for applications according to CRN) [psi]	250

Electrical data

Operating voltage [V]	8.5...36 DC
Min. insulation resistance [MΩ]	100; (500 V DC)
Protection class	III
Reverse polarity protection	yes

Inputs / outputs

Number of inputs and outputs	Number of analogue outputs: 1
------------------------------	-------------------------------

PT2415



Pressure transmitter

PT-010PSEN14-A-ZVG/US/ IW

Outputs		
Total number of outputs	1	
Output signal	analogue signal	
Number of analogue outputs	1	
Analogue current output [mA]	4...20	
Max. load [Ω]	720; ($U_b = 24 \text{ V}$; ($U_b - 8,5 \text{ V}$) / 21,5 mA)	
Short-circuit proof	yes	
Overload protection	yes	
Measuring/setting range		
Measuring range [psi]	0...100	
Accuracy / deviations		
Repeatability [% of the span]	$< \pm 0,05$; (with temperature fluctuations $< 10 \text{ K}$)	
Characteristics deviation [% of the span]	$< \pm 0,5$; (incl. drift when overtightened, zero point and span error, non-linearity, hysteresis)	
Linearity deviation [% of the span]	$< \pm 0,1$ (BFSL) / $< \pm 0,2$ (LS)	
Hysteresis deviation [% of the span]	$< \pm 0,2$	
Long-term stability [% of the span]	$< \pm 0,1$; (per 6 months)	
Temperature coefficient zero point and span [% of the span / 10 K]	$< 0,1$ ($-25...90 \text{ }^\circ\text{C}$) / $< 0,2$ ($-40...-25 \text{ }^\circ\text{C}$)	
Response times		
Step response time analogue output [ms]	1	
Operating conditions		
Ambient temperature [$^\circ\text{C}$]	-40...90	
Storage temperature [$^\circ\text{C}$]	-40...100	
Protection	IP 67; IP 69K	
Tests / approvals		
EMC	DIN EN 61000-6-2	
	DIN EN 61000-6-3	
Shock resistance	DIN EN 60068-2-27	50 g (11 ms)
Vibration resistance	DIN EN 60068-2-6	20 g (10...2000 Hz)
MTTF [years]	784	
Pressure Equipment Directive	Sound engineering practice; can be used for group 2 fluids; group 1 fluids on request	
Mechanical data		
Weight [g]	57.5	
Materials	1.4542 (17-4 PH / 630); stainless steel (1.4404 / 316L); PEI	
Materials (wetted parts)	1.4542 (17-4 PH / 630)	
Min. pressure cycles	60 million; (at 1.2 times nominal pressure)	
Tightening torque [Nm]	< 50 ; (recommended tightening torque; depends on lubrication, seal and pressure rating)	
Process connection	threaded connection 1/4 NPT external thread	
Restrictor element integrated	no (can be retrofitted)	

PT2415



Pressure transmitter

PT-010PSEN14-A-ZVG/US/ IW

Remarks

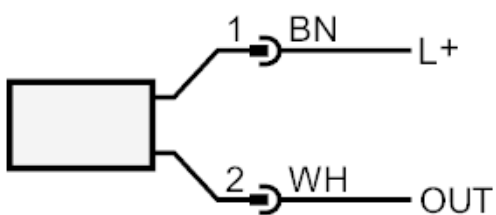
Remarks	BFSL = Best Fit Straight Line LS = limit value setting
Pack quantity	1 pcs.

Electrical connection

Connector: 1 x M12



Connection



OUT analogue output
 colours to DIN EN 60947-5-2
 Core colours :
BN = brown
WH = white