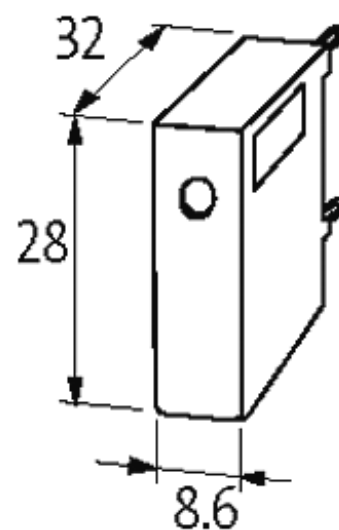


**SIEMENS CONTACTOR SUPPRESSOR**

RC, 230VAC/DC

230 V AC/DC  
RC

For other configurations and voltages, please inquire

[Link to Product](#)**Illustration**



RC

Product may differ from Image

### Approvals



### Appropriate contactors

3 RH 1/11; 3 RT 1/3 RH1; 3 RT 1/10.15...10.17

### Technical Data

Damping factor	approx. 1.5 × UN
Material	Flame retardant plastic acc. to (UL 94)
Connection wires	Plug contact

### General data

Temperature range	-20...+70 °C
Dimensions H × W × D	28×8.6×32 mm

### Commercial data

country of origin	DE
customs tariff number	85363010
minimum order quantity	1