

OVERLOAD RELAY 50...200 A FOR MOTOR PROTECTION SIZE S6, CLASS 5...30 MOUNT. ONTO CONT./ STAND-ALONE MAIN CIRCUIT: THROUGH TRANSF. AUX. CIRCUIT: SPRINGLOAD. TERM. MANUAL-AUTOMATIC-RESET INT. EARTH FAULT DETECTION



product brand name		SIRIUS
Product designation		solid-state overload relay

General technical data:

Active power loss total typical	W	0.05
Insulation voltage		
• with degree of pollution 3 Rated value	V	1 000
Shock resistance		15g / 11 ms
Surge voltage resistance Rated value	kV	8
Size of contactor can be combined company-specific		S6
Type of assignment		2
Protection class IP		
• on the front		IP20
Type of protection		PTB 06 ATEX 3001 Ex II (2) GD
Equipment marking		
• acc. to DIN EN 61346-2		F
• acc. to DIN EN 81346-2		F

Main circuit:

Number of poles for main current circuit		3
Adjustable response value current of the current-dependent overload release	A	50 ... 200
Operating voltage		
• at AC-3 Rated value maximum	V	1 000

Auxiliary circuit:

Number of NC contacts		
-----------------------	--	--

• for auxiliary contacts		1
Number of NO contacts		
• for auxiliary contacts		1
Number of CO contacts		
• for auxiliary contacts		0
Operating current of the auxiliary contacts at AC-15		
• at 24 V	A	4
• at 110 V	A	4
• at 120 V	A	4
• at 125 V	A	4
• at 230 V	A	3
Operating current of the auxiliary contacts at DC-13		
• at 24 V	A	2
• at 60 V	A	0.55
• at 110 V	A	0.3
• at 125 V	A	0.3
• at 220 V	A	0.11

Protective and monitoring functions:

Trip class	CLASS 5, 10, 20 and 30 adjustable
-------------------	-----------------------------------

Short-circuit:

Design of the fuse link		
• for short-circuit protection of the auxiliary switch required		fuse gL/gG: 6 A

Installation/ mounting/ dimensions:

mounting position		any
Mounting type		direct mounting / stand-alone installation
Height	mm	119
Width	mm	120
Depth	mm	155
Required spacing		
• with side-by-side mounting		
— forwards	mm	0
— Backwards	mm	0
— upwards	mm	0
— downwards	mm	0
— at the side	mm	0
• for grounded parts		
— forwards	mm	0
— Backwards	mm	0
— upwards	mm	0
— at the side	mm	6

— downwards	mm	0
• for live parts		
— forwards	mm	0
— Backwards	mm	0
— upwards	mm	0
— downwards	mm	0
— at the side	mm	6

Connections/ Terminals:

Type of electrical connection		
• for main current circuit		straight-through transformers
• for auxiliary and control current circuit		spring-loaded terminals
Product function		
• removable terminal for auxiliary and control circuit		Yes
Type of connectable conductor cross-section		
• for auxiliary contacts		
— solid		2x (0.25 ... 1.5 mm ²)
— finely stranded with core end processing		2x (0.25 ... 1.5 mm ²)
• for AWG conductors for auxiliary contacts		2x (24 ... 16)

Safety related data:

Protection against electrical shock		finger-safe
--	--	-------------

Mechanical data:

Size of overload relay		S6
-------------------------------	--	----

Ambient conditions:

Installation altitude at height above sea level maximum	m	2 000
Ambient temperature		
• during operation	°C	-25 ... +60
• during storage	°C	-40 ... +80
• during transport	°C	-40 ... +80
Relative humidity during operation	%	100

Electromagnetic compatibility:

Conducted interference due to burst acc. to IEC 61000-4-4		2 kV (power ports), 1 kV (signal ports) corresponds to degree of severity 3
Conducted interference due to conductor-earth surge acc. to IEC 61000-4-5		2 kV (line to earth) corresponds to degree of severity 3
Conducted interference due to conductor-conductor surge acc. to IEC 61000-4-5		1 kV (line to line) corresponds to degree of severity 3
Field-bound parasitic coupling acc. to IEC 61000-4-3		10 V/m
Electrostatic discharge acc. to IEC 61000-4-2		6 kV contact discharge / 8 kV air discharge

Certificates/ approvals:

General Product Approval	EMC	For use in hazardous locations
--------------------------	-----	--------------------------------



Declaration of Conformity	Test Certificates	Shipping Approval
---------------------------	-------------------	-------------------



[Special Test Certificate](#)

[Type Test Certificates/Test Report](#)



Shipping Approval	other
-------------------	-------



[other](#)

[Environmental Confirmations](#)

Further information

Information- and Downloadcenter (Catalogs, Brochures,...)

<http://www.siemens.com/industrial-controls/catalogs>

Industry Mall (Online ordering system)

<http://www.siemens.com/industrymall>

Cax online generator

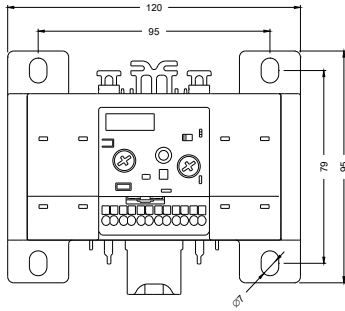
<http://support.automation.siemens.com/WW/CAXorder/default.aspx?lang=en&mlfb=3RB21534FX2>

Service&Support (Manuals, Certificates, Characteristics, FAQs,...)

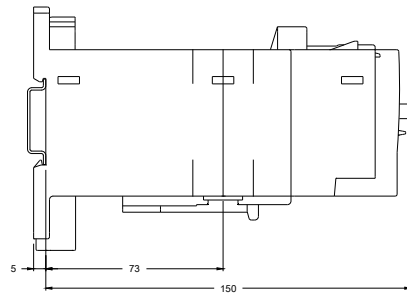
<http://support.automation.siemens.com/WW/view/en/3RB21534FX2/all>

Image database (product images, 2D dimension drawings, 3D models, device circuit diagrams, EPLAN macros, ...)

http://www.automation.siemens.com/bilddb/cax_de.aspx?mlfb=3RB21534FX2&lang=en



last modified:



11.03.2015