



COMPACT SWITCH 30MM WIDE W. CONNECTING  
CABLE 2M SNAP-ACTION CONTACTS 1NO+1NC  
ROUNDED PLUNGER, WITH CENTRAL FIXING

Product designation	compact switch	
<b>General technical data:</b>		
<b>Product function</b>		Yes
<ul style="list-style-type: none"> <li>positive opening</li> </ul>		
<b>Insulation voltage</b>		
<ul style="list-style-type: none"> <li>Rated value</li> </ul>	V	400
<b>Degree of pollution</b>		3
<b>Shock resistance</b>		30g / 11 ms
<b>Vibration resistance</b>		0.35 mm / 5g
<b>Surge voltage resistance Rated value</b>	kV	4
<b>Mechanical service life (switching cycles)</b>		
<ul style="list-style-type: none"> <li>typical</li> </ul>		10 000 000
<b>Electrical endurance (switching cycles)</b>		
<ul style="list-style-type: none"> <li>at AC-15 at 230 V typical</li> </ul>		100 000
<b>Electrical endurance (switching cycles) with contactor 3RH11, 3RT1016, 3RT1017, 3RT1024, 3RT1025, 3RT1026 typical</b>		500 000
<b>Electrical operating cycles in one hour with contactor 3RH11, 3RT1016, 3RT1017, 3RT1024, 3RT1025, 3RT1026</b>		1 800
<b>Thermal current</b>	A	10
<b>Material of the enclosure of the switch head</b>		metal
<b>Protection class IP</b>		IP67
<b>Equipment marking</b>		
<ul style="list-style-type: none"> <li>acc. to DIN EN 61346-2</li> <li>acc. to DIN EN 81346-2</li> </ul>		B B

<b>Active principle</b>		mechanical
<b>Repeat accuracy</b>	mm	0.05
Explosion protection category for dust		none
Explosion protection category for gas		none
Minimum actuating force in activation direction	N	20
<b>Operating current at AC-15</b>		
• at 230 V Rated value	A	3
<b>Operating current</b>		
• at DC-13 at 125 V Rated value	A	0.55

#### Enclosure:

<b>Design of the housing</b>		block
<b>Material of the enclosure</b>		metal
<b>Coating of the enclosure</b>		painted
<b>Design of the housing acc. to standard</b>		No
<b>Material of cable sheath</b>		PVC

#### Drive Head:

<b>Design of the operating mechanism</b>		rounded plunger
<b>Shape of the switch head</b>		rounded
<b>Design of the switching function</b>		snap-action contact

#### Connections/ Terminals:

<b>Type of electrical connection</b>		cable connection 5m x 0.75 mm <sup>2</sup> PVC
--------------------------------------	--	--

#### Communication/ Protocol:

<b>Design of the interface</b>		without
--------------------------------	--	---------

#### Ambient conditions:

<b>Ambient temperature</b>		
• during operation	°C	-25 ... +85
• during storage	°C	-25 ... +85

#### Installation/ mounting/ dimensions:

<b>mounting position</b>		any
<b>Mounting type</b>		screw fixing

#### Certificates/ approvals:

<b>General Product Approval</b>	<b>Declaration of Conformity</b>	<b>other</b>
---------------------------------	----------------------------------	--------------



[Confirmation](#)

#### Further information

**Information- and Downloadcenter (Catalogs, Brochures,...)**

<http://www.siemens.com/industrial-controls/catalogs>

**Industry Mall (Online ordering system)**

<http://www.siemens.com/industrymall>

**Cax online generator**

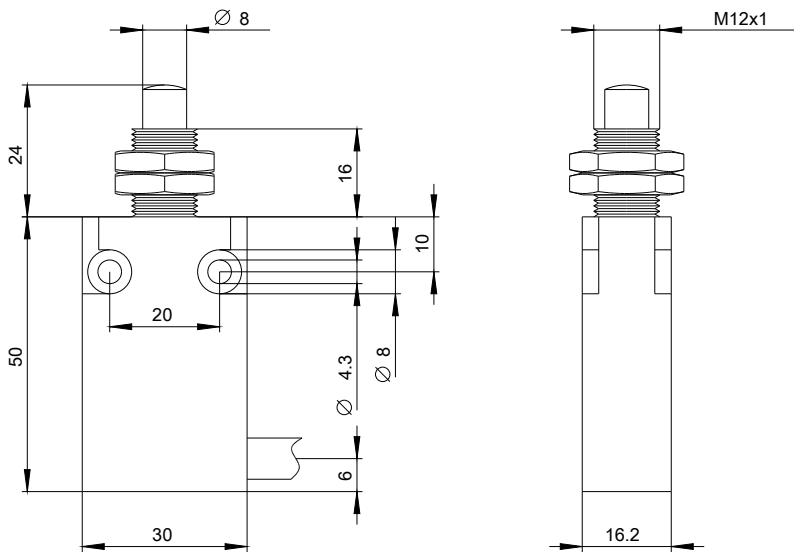
<http://support.automation.siemens.com/WW/CAXorder/default.aspx?lang=en&mfb=3SE54130CC211EA2>

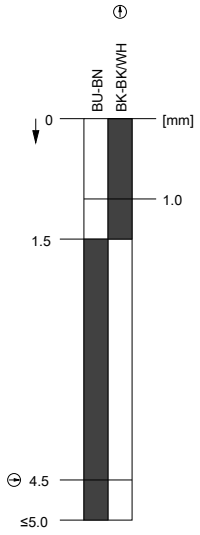
**Service&Support (Manuals, Certificates, Characteristics, FAQs,...)**

<http://support.automation.siemens.com/WW/view/en/3SE54130CC211EA2/all>

**Image database (product images, 2D dimension drawings, 3D models, device circuit diagrams, EPLAN macros, ...)**

[http://www.automation.siemens.com/bilddb/cax\\_de.aspx?mfb=3SE54130CC211EA2&lang=en](http://www.automation.siemens.com/bilddb/cax_de.aspx?mfb=3SE54130CC211EA2&lang=en)





last modified:

09.03.2015