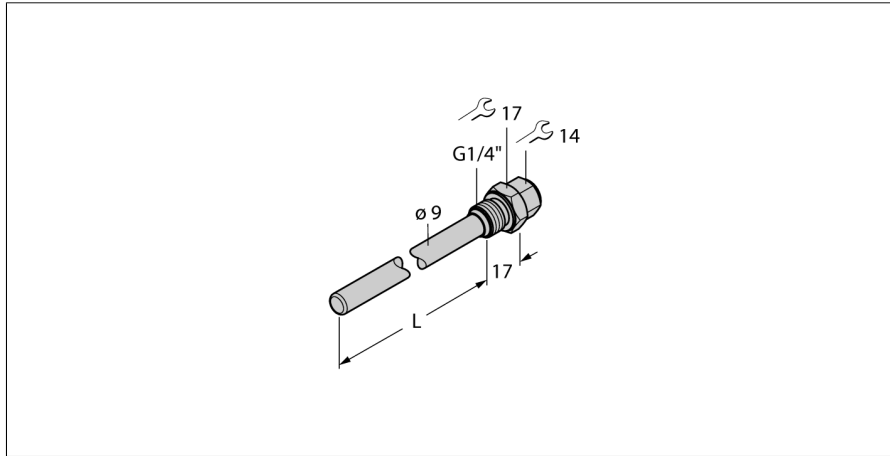


Temperature measurement
Accessories thermowell
THW-6-G1/4-A4-L050



- Thermowell for 6 mm temperature probes
- Process connection G1/4" male thread

General description

Thermowells protect the probes against aggressive substances and high pressures. The probes do not come into contact with any media. They can be replaced without interrupting the process.

Type designation	THW-6-G1/4-A4-L050
Ident no.	9910764
Temperature range	-50...350 °C
Temperature operating range	-58...662 °F
Immersion depth (L)	50 mm
Housing	
Housing material	Stainless steel 1.4404 (AISI 316L), V4A (1.4404)
Process connection	G1/4" male thread
Pressure resistance	400 bar
Max. tightening torque housing nut	100 Nm