

Reflex Sensor

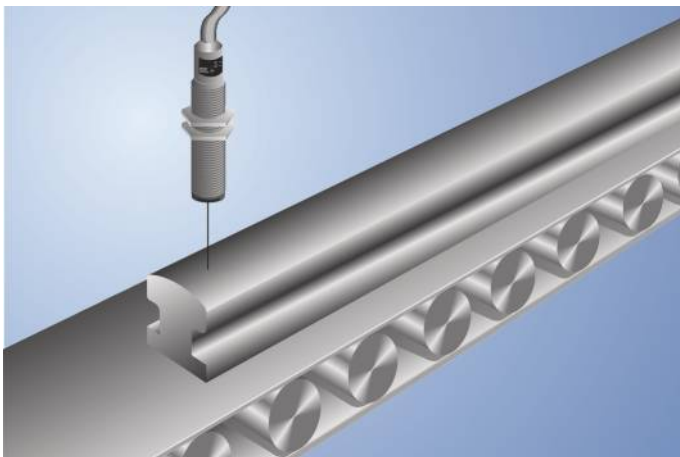
HD03PA

Part Number



- Fine focused optics
- Low-cost
- Quasi-background-suppression

Thanks to fine focusing optics the background is suppressed beyond 50 mm.

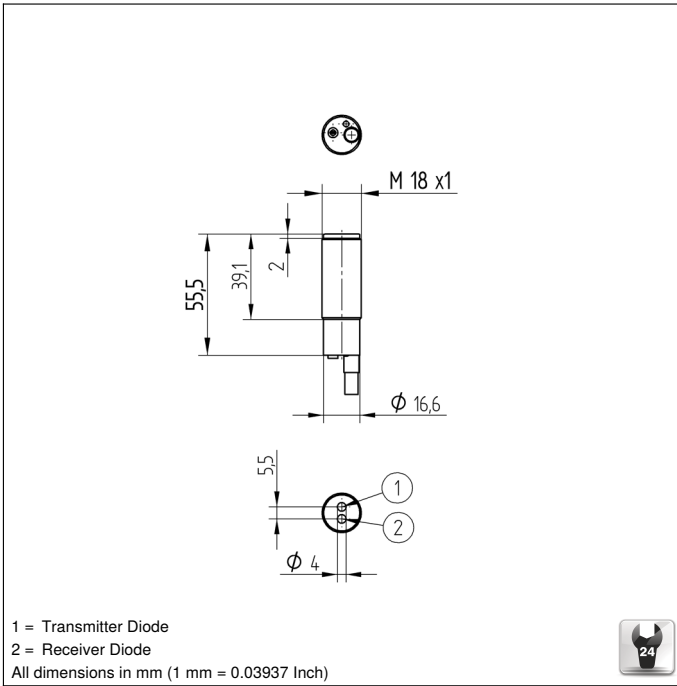


Technical Data

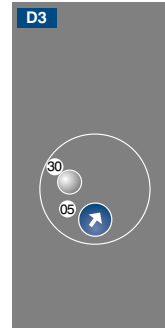
Optical Data	
Range	30 mm
Switching Hysteresis	< 15 %
Light Source	Infrared Light
Service Life (T = +25 °C)	100000 h
Max. Ambient Light	10000 Lux
Opening Angle	12 °
Electrical Data	
Supply Voltage	10...30 V DC
Current Consumption (U _b = 24 V)	< 40 mA
Switching Frequency	1500 Hz
Response Time	330 μs
Temperature Drift	< 10 %
Temperature Range	-25...60 °C
Switching Output Voltage Drop	< 2,5 V
PNP Switching Output/Switching Current	200 mA
Residual Current Switching Output	< 50 μA
Short Circuit Protection	yes
Reverse Polarity Protection	yes
Overload Protection	yes
Protection Class	III
Mechanical Data	
Housing Material	CuZn, nickel-plated
Full Encapsulation	yes
Degree of Protection	IP67
Connection	Cable, 4-wire, 2 m
Safety-relevant Data	
MTTFd (EN ISO 13849-1)	2337,8 a
PNP NO/NC antivalent	●
Connection Diagram No.	201
Control Panel No.	D3
Suitable Mounting Technology No.	150

Complementary Products

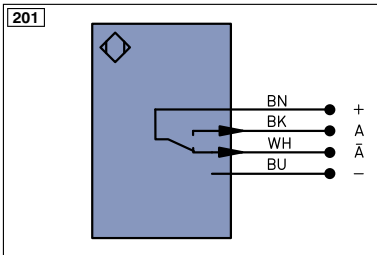
Dust Extraction Tube STAUBTUBUS-01



Ctrl. Panel



05 = Switching Distance Adjuster
 30 = Switching Status/Contamination Warning



Legend			
+	Supply Voltage +	PT	Platinum measuring resistor
-	Supply Voltage 0 V	nc	not connected
~	Supply Voltage (AC Voltage)	U	Test Input
A	Switching Output (NO)	Ū	Test Input inverted
Ā	Switching Output (NC)	W	Trigger Input
V	Contamination/Error Output (NO)	W-	Ground for the Trigger Input
Ṽ	Contamination/Error Output (NC)	O	Analog Output
E	Input (analog or digital)	O-	Ground for the Analog Output
T	Teach Input	BZ	Block Discharge
Z	Time Delay (activation)	AWV	Valve Output
S	Shielding	a	Valve Control Output +
RxD	Interface Receive Path	b	Valve Control Output 0 V
TxD	Interface Send Path	SY	Synchronization
RDY	Ready	SY-	Ground for the Synchronization
GND	Ground	E+	Receiver-Line
CL	Clock	S+	Emitter-Line
E/A	Output/Input programmable	±	Grounding
	IO-Link	S _n R	Switching Distance Reduction
PoE	Power over Ethernet	Rx+/-	Ethernet Receive Path
IN	Safety Input	Tx+/-	Ethernet Send Path
OSSD	Safety Output	Bus	Interfaces-Bus A(+)/B(-)
Signal	Signal Output	L _a	Emitted Light disengageable
Bl_D+/-	Ethernet Gigabit bidirect. data line (A-D)	Mag	Magnet activation
EN0 _{RS422}	Encoder 0-pulse 0-0 (TTL)	RES	Input confirmation
		EDM	Contacting Monitoring
		EN _{RS422}	Encoder A/Ā (TTL)
		EN _{RS422}	Encoder B/B̄ (TTL)
		EN _A	Encoder A
		EN _B	Encoder B
		A _{MIN}	Digital output MIN
		A _{MAX}	Digital output MAX
		A _{OK}	Digital output OK
		SY _{in}	Synchronization In
		SY _{OUT}	Synchronization OUT
		OL _T	Brightness output
		M	Maintenance
		rsv	reserved
		Wire Colors according to DIN IEC 757	
		BK	Black
		BN	Brown
		RD	Red
		OG	Orange
		YE	Yellow
		GN	Green
		BU	Blue
		VT	Violet
		GY	Grey
		WH	White
		PK	Pink
		GNVE	Green/Yellow

Switching Distance Deviation

Typical characteristic curve based on white, 90 % remission



Sr = Switching Distance
 dSr = Switching Distance Change
 — black 6 % remission
 — grey 18 % remission

