

# Milwaukee®

Nothing but **HEAVY DUTY**®.



## M18 FTS210

Original instructions  
Originalbetriebsanleitung  
Notice originale  
Istruzioni originali  
Manual original  
Manual original  
Oorspronkelijke  
gebruiksaanwijzing  
Original brugsanvisning  
Original bruksanvisning  
Bruksanvisning i original

Alkuperäiset ohjeet  
Πρωτότυπο οδηγίων χρήσης  
Orijinal işletme talimatı  
Původním návodem k používání  
Pôvodný návod na použitie  
Instrukcją oryginalną  
Eredeti használati utasítás  
Izvirna navodila  
Originalne pogonske upute  
Instrukcijām oriēnālvadā  
Originali instrukcija

Algupärane kasutusjuhend  
Оригинальное руководство  
по эксплуатации  
Оригинално ръководство за  
експлоатация  
Instrucțiuni de folosire originale  
Оригинален прирачник за  
работа  
Оригінал інструкції з  
експлуатації  
التعليمات الأصلية

|   |  |                    |            |
|---|--|--------------------|------------|
| Technical Data, Safety Instructions, Specified Conditions of Use, Declaration of Conformity, Batteries, Maintenance, Symbols  | Please read and save these instructions!           | <b>English</b>     | <b>44</b>  |
| Technische Daten, Sicherheitshinweise, Bestimmungsgemäße Verwendung, CE-Konformitätserklärung, Akku, Wartung, Symbole   | Bitte lesen und aufbewahren!                       | <b>Deutsch</b>     | <b>49</b>  |
| Caractéristiques techniques, Instructions de sécurité, Utilisation conforme aux prescriptions, Déclaration CE de Conformité, Accus, Entretien, Symboles                 | A lire et à conserver soigneusement                | <b>Français</b>    | <b>55</b>  |
| Dati tecnici, Norme di sicurezza, Utilizzo conforme, Dichiarazione di Conformità CE, Batterie, Manutenzione, Simboli  | Si prega di leggere e conservare le istruzioni!    | <b>Italiano</b>    | <b>61</b>  |
| Datos técnicos, Instrucciones de seguridad, Aplicación de acuerdo a la finalidad, Declaración de Conformidad CE, Batería, Mantenimiento, Símbolos                       | Lea y conserve estas instrucciones por favor!      | <b>Español</b>     | <b>67</b>  |
| Características técnicas, Instruções de segurança, Utilização autorizada, Declaração de Conformidade CE, Acumulador, Manutenção, Símbolo                                | Por favor leia e conserve em seu poder!            | <b>Português</b>   | <b>73</b>  |
| Technische gegevens, Veiligheidsadviezen, Voorgeschreven gebruik van het systeem, EC-Konformiteitsverklaring, Akku, Onderhoud, Symbolen                                 | Lees en let goed op deze adviezen!                 | <b>Nederlands</b>  | <b>79</b>  |
| Tekniske data, Sikkerhedshenvisninger, Tiltænkert formål, CE-Konformitetserklæring, Batteri, Vedligeholdelse, Symboler  | Vær venlig at læse og opbevare!                    | <b>Dansk</b>       | <b>85</b>  |
| Tekniske data, Spesielle sikkerhetshenvisninger, Formålsmessig bruk, CE-Samsvarserklæring, Batterier, Vedlikehold, Symboler   | Vennligst les og oppbevar!                         | <b>Norsk</b>       | <b>90</b>  |
| Tekniska data, Säkerhetsutrustning, Använd maskinen Enligt anvisningarna, CEFörsäkrat, Batterier, Skötsel, Symboler   | Läs igenom och spara!                              | <b>Svenska</b>     | <b>95</b>  |
| Tekniset arvot, Turvallisuusohjeet, Tarkoituksenmukainen käyttö, Todistus CE-standardinmukaisuudesta, Akku, Huolto, Symbolit  | Lue ja säilytä!                                    | <b>Suomi</b>       | <b>100</b> |
| Τεχνικά στοιχεία, Ειδικές υποδείξεις ασφαλείας, Χρήση σύμφωνα με το σκοπό προοριζομένου, Δήλωση πιστότητας ΕΚ, Μηταρίες, Χαρακτηριστικά, Συντήρηση, Σύμβολα.            | Παρακαλώ διαβάστε τις και φυλάξτε τις!             | <b>Ελληνικά</b>    | <b>105</b> |
| Teknik veriler, Güvenliğinizi için talimatlar, Kullanım, CE uygunluk beyanice, Akü, Bakım, Semboller  | Lütfen okuyun ve saklayın                          | <b>Türkçe</b>      | <b>111</b> |
| Technická data, Speciální bezpečnostní upozornění, Oblast využití, Ce-prohlášení o shodě, Akumulátory, Údržba, Symboly  | Po přečtení uschovejte                             | <b>Česky</b>       | <b>117</b> |
| Technické údaje, Špeciálne bezpečnostné pokyny, Použitie podľa a predpisov, CE-Vyhľadanie konformity, Sieťová prípojka, Údržba, Symboly                                 | Prosím prečítať a uschovať!                        | <b>Slovensky</b>   | <b>122</b> |
| Dane techniczne, Specjalne zalecenia dotyczące bezpieczeñstwa, Uzytkowanie zgodnie z przeznaczeniem, Swiadectwo zgodnošci ce, Podlaczzenie do sieci, Gwarancja, Symbole | Należy uważnie przeczytać i zachować do wglądu!    | <b>Polski</b>      | <b>128</b> |
| Műszaki adatok, Különleges biztonossági tudnivalók, Rendeltetésszerű használat, Ce-azonosság nyilatkozat, Hálózati csatlakoztatás, Karbantartás, Szimbólumok            | Olvassa el és őrizze meg                           | <b>Magyar</b>      | <b>134</b> |
| Tehnični podatki, Specialni varnostni napotki, Uporaba v skladu z namembnostjo, Ce-izjava o konformnosti, Omrežni priključek, Vzdrževanje, Simboli                      | Prosim preberite in shranite!                      | <b>Slovensko</b>   | <b>140</b> |
| Tehnički podaci, Specijalne sigurnosne upute, Propisna upotreba, Ce-izjava konformnosti, Priključak na mrežu, Održavanje, Simboli                                       | Molimo pročitati i sačuvati                        | <b>Hrvatski</b>    | <b>146</b> |
| Tehniskie dati, Speciālie drošības noteikumi, Noteikumiem atbilstošs izmantojums, Atbilstība CE normām, Tikla pieslēgums, Apkope, Simboli                               | Pielikums lietošanas pamācībai                     | <b>Latviski</b>    | <b>151</b> |
| Techniniai duomenys, Ypatingos saugumo nuorodos, Naudojimas pagal paskirti, CE Atitikties pareiškimas, Elektros tinklo jungtis, Techninis aptarnavimas, Simboliai       | Prašome perskaityti ir neišmesti!                  | <b>Lietuviškai</b> | <b>157</b> |
| Tehnilised andmed, Spetsiaalsed turvajuhised, Kasutamine vastavalt otstarbele, EÜ Vastavusavaldus, Võrku ühendamine, Hooldus, Sümbolid                                  | Palun lugege läbi ja hoidke alati!                 | <b>Eesti</b>       | <b>162</b> |
| Технические данные, Рекомендации по технике безопасности, Исползование, Подключение к электросети, Обслуживание, Символы  | Пожалуйста прочтите и сохраните эту инструкцию.    | <b>Русский</b>     | <b>167</b> |
| Технически данни, Специални указания за безопасност, Използване по предназначение, CE-Декларация за съответствие, Свързване към мрежата, Поддръжка, Символи             | Моля прочетете и запазете!                         | <b>Български</b>   | <b>174</b> |
| Date tehnice, Instrucțiuni de securitate, Condiții de utilizare specifice, Declarație de conformitate, Acumulatori, Intreținere, Simboluri                              | Va rugăm citiți și păstrați aceste instrucțiuni    | <b>Română</b>      | <b>180</b> |
| Технички Податоци, Упатство За Употреба, Специфицирани Услови На Употреба, Еу-декларација За Сообразност, БАТЕРИИ, Одржување, Символи                                   | Ве молиме прочитајте го и чувајте го ова упатство! | <b>Македонски</b>  | <b>186</b> |
| Технічні характеристики, Вказівки З Техніки Безпеки, Використання за призначенням, Сертифікат Відповідності Вимогам Єс, Акумуляторна, Обслуговування, Символи           | Прочитайте та збережіть цю інструкцію              | <b>Українська</b>  | <b>192</b> |
| تعليمات السلامة شروط الاستخدام المحددة، البطاريات، إعلان المطابقة - الاتحاد الأوروبي، الصيانة، الرموز   | يُرجى قراءة وحفظ هذه التعليمات!                    | <b>العربية</b>     | <b>203</b> |





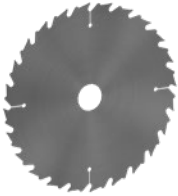
5



7



6



13



7



19

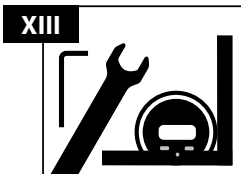
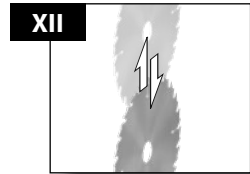
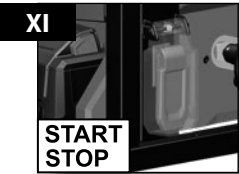
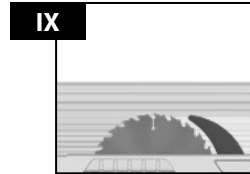
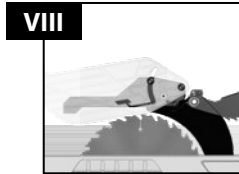
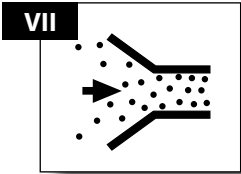
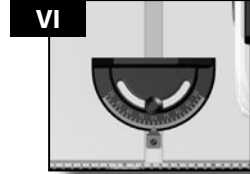
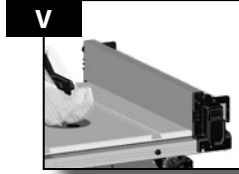
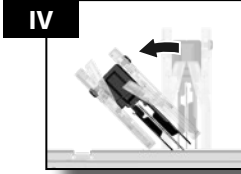
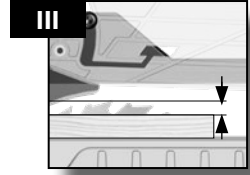
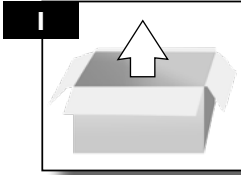


23



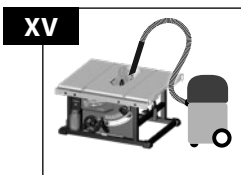
25

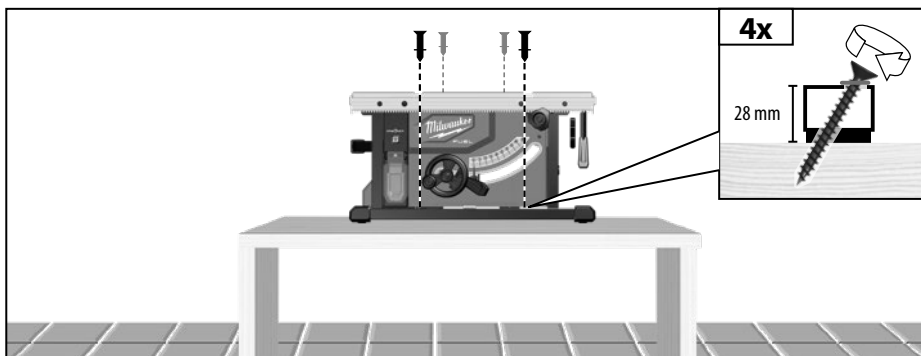
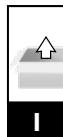
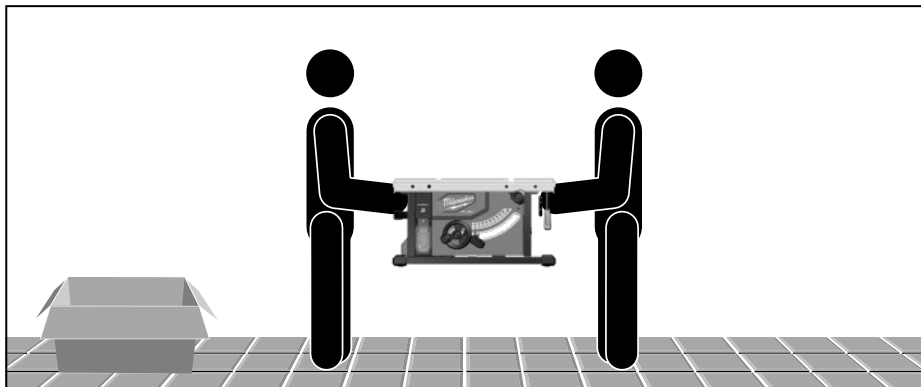
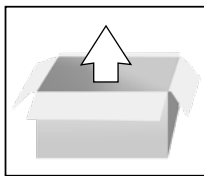





Accessory  
Zubehör  
Accessoires  
Accessorio

Accessorio • Acessório  
Toebehoren • Tilbehør  
Tilbehør • Tillbehør  
Lisälaite • Εξαρτήματα  
Akseσουar • Príslušenstv  
Príslušenstv • Wyposażenie  
Azokat a tartozékokat  
Oprema • Piederumi  
Priedas • Tarvikud  
Додолнитель • Аксесоари  
Accessorii • ополнителна  
опрема • Комплектуочи  
الملحق

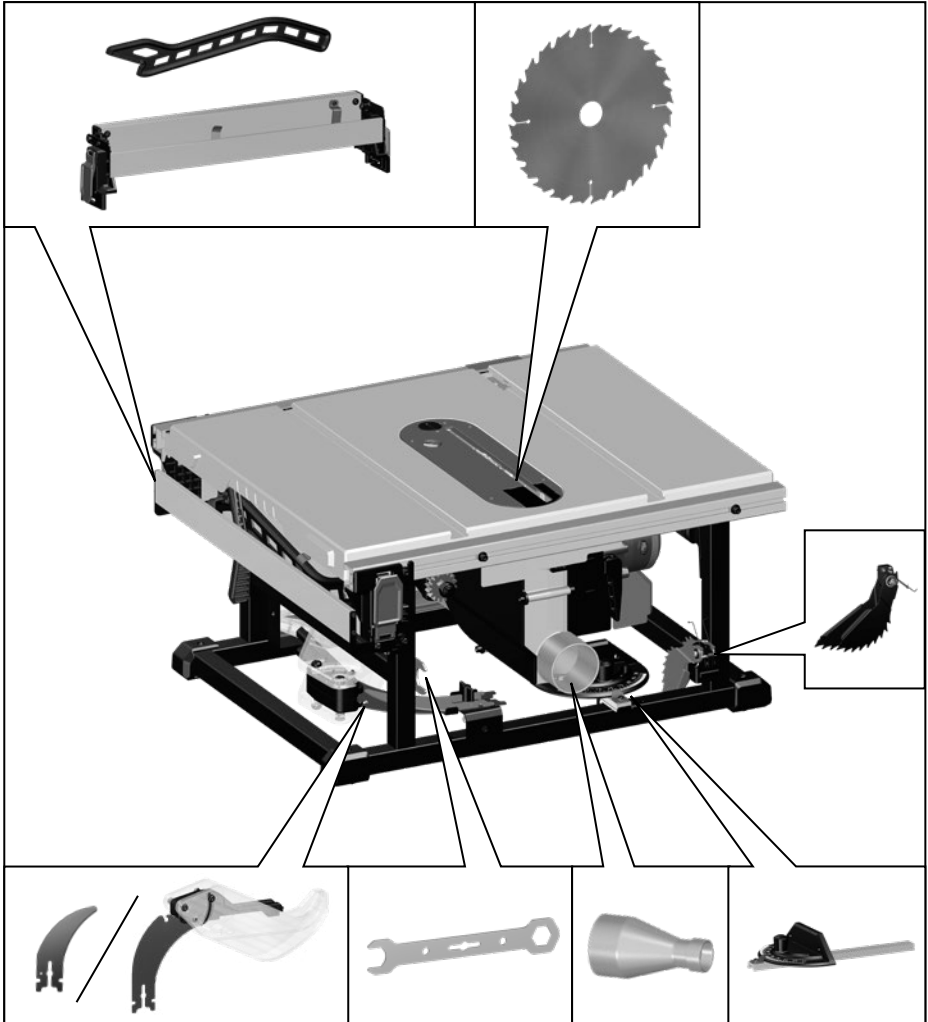
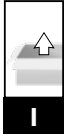
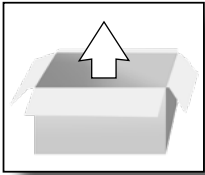


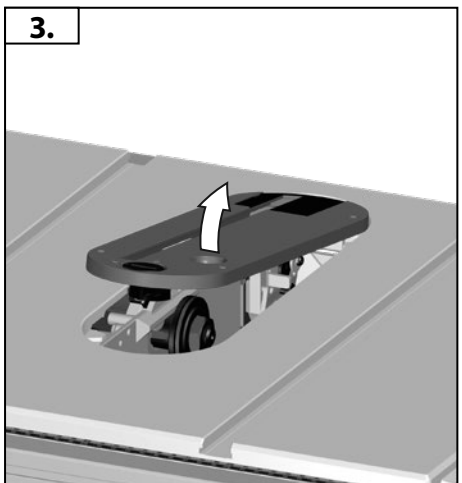
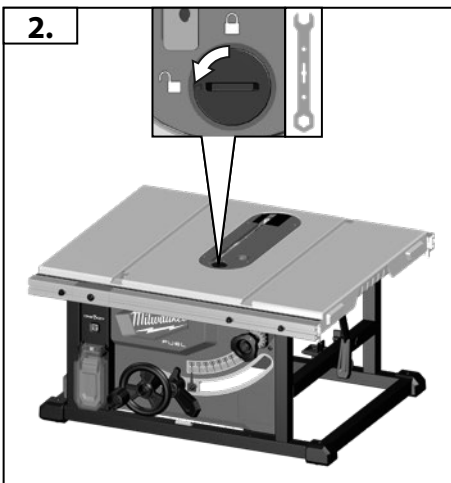
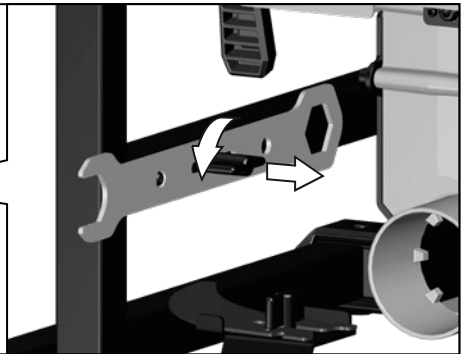
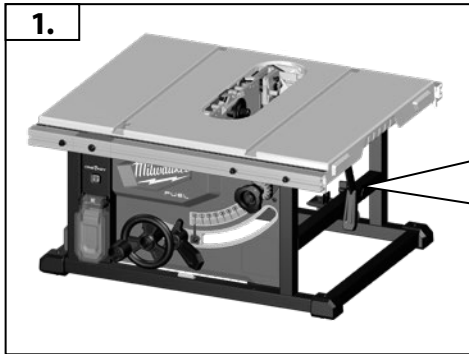


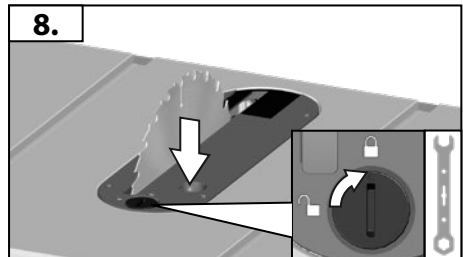
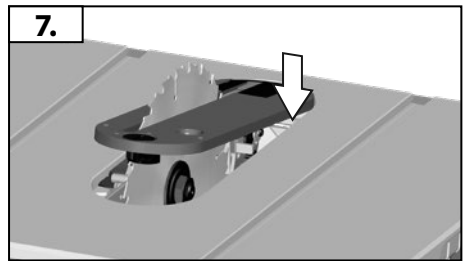
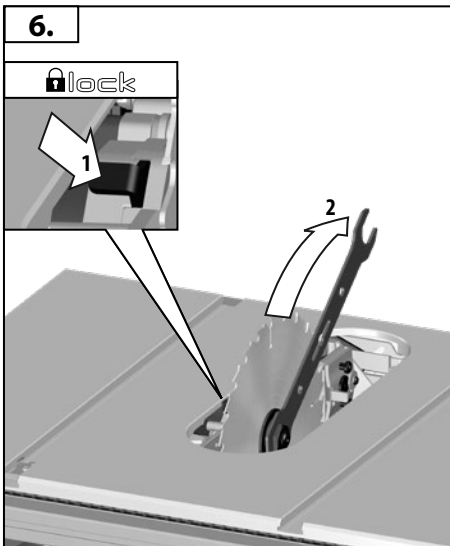
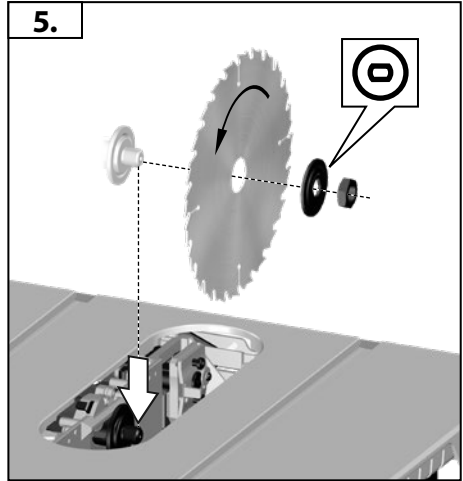
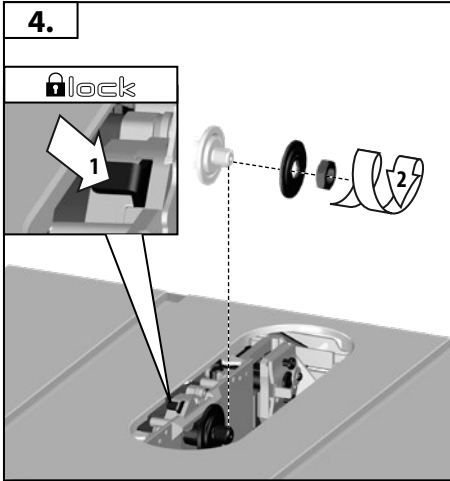
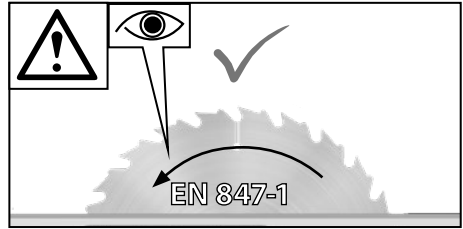
Not included in standard equipment.  
Im Lieferumfang nicht enthalten.  
Ces pièces ne font pas partie de la livraison.  
on incluso nella dotazione standard.  
No incluido en el equipo estándar.  
Não incluído no equipamento normal.  
Wordt niet meegeleverd.  
Ikke inkluderet i leveringsomfanget.

Inngår ikke i leveransen.  
Ingår ej i leveransomfanget.  
Ei sisälly vakiovarustukseen.  
Δεν συμπεριλαμβάνεται  
Teslimat kapsamında değildir.  
V dodávce neobsaženo.  
Neobsahuje štandardnú výbavu.  
Nie stanowi wyposażenia standardowego  
Nem tartozéka a készüléknek.  
Ni v obsegu dobave.

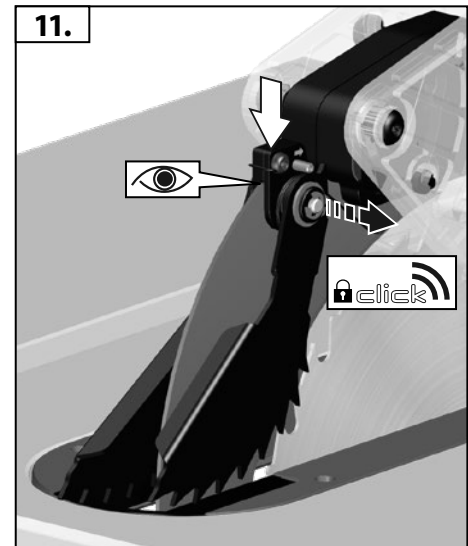
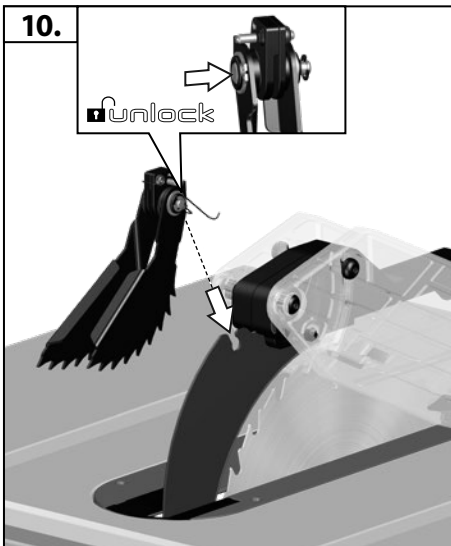
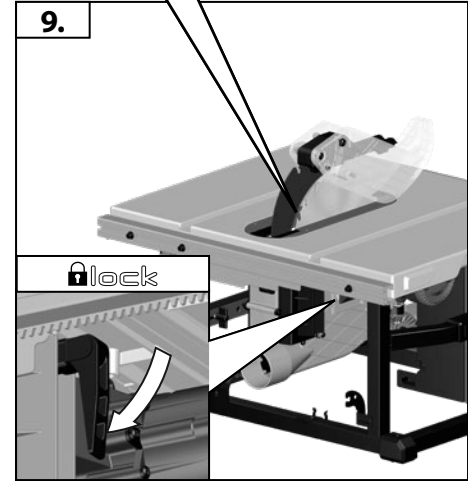
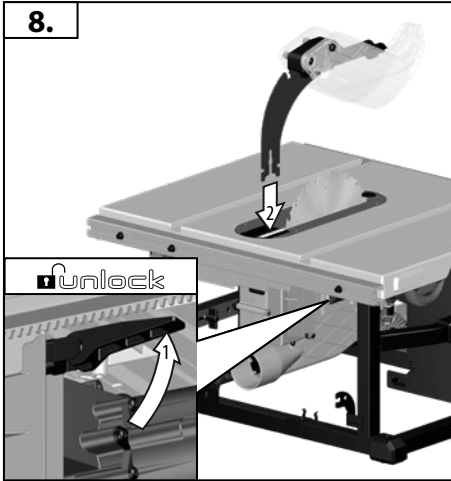
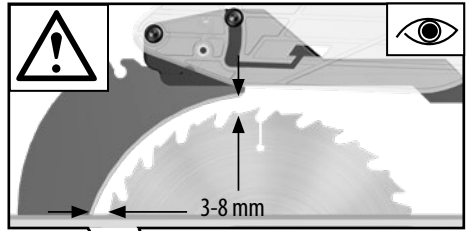
U opsegu isporuke nije sadržano.  
Komplektācijā nav ietverts.  
Nejaina i komplektācijā.  
Ei kuulu tarne komplekti.  
Не входит в объем поставки  
Не е включено в обема на доставката.  
Nu este inclus in echipamentul standard  
Не е включено во стандардна опрема  
Не входит в обсяг постачання.  
ليس مدرجا كمعدة قياسية

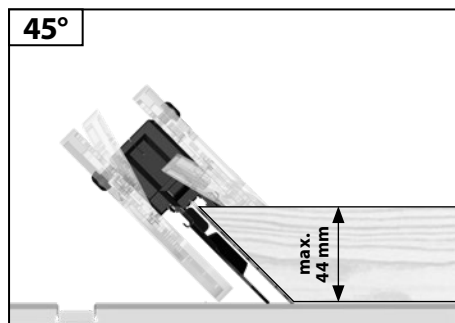
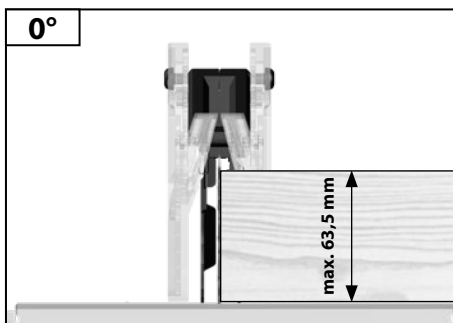
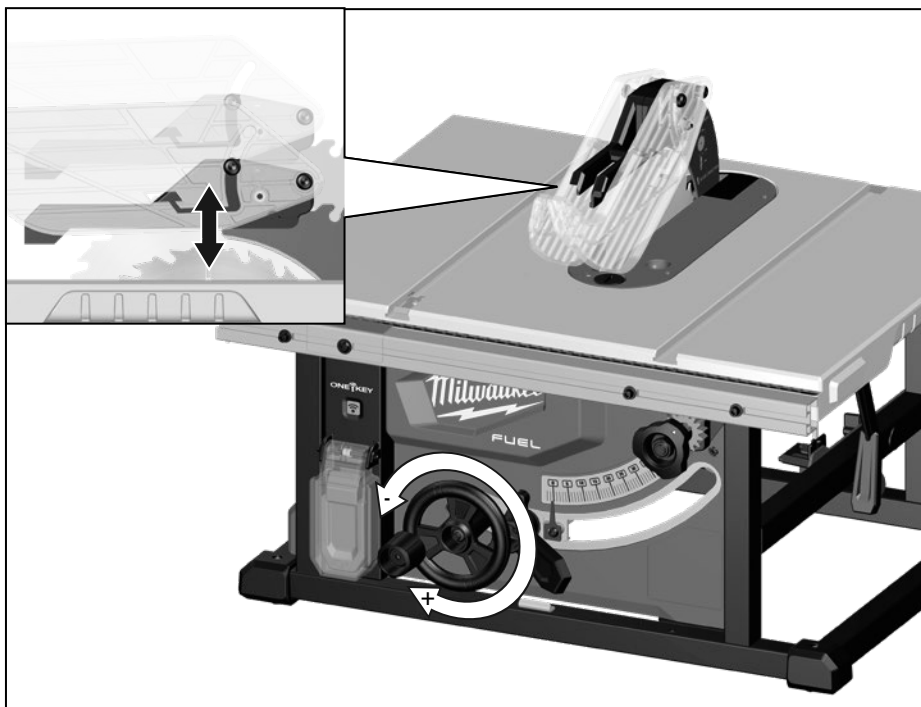
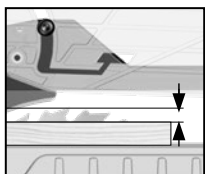


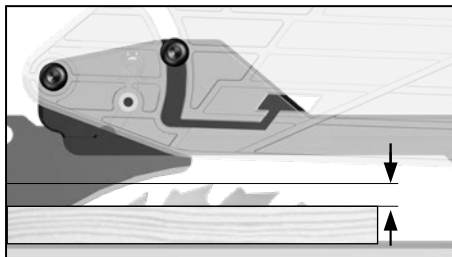
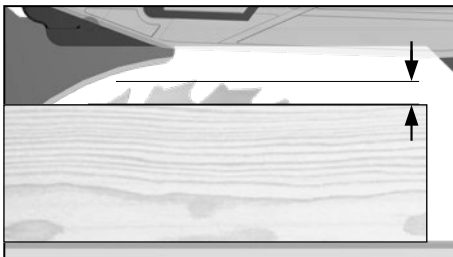
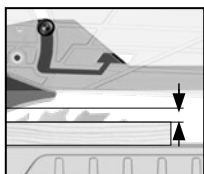












Adjust the cutting depth to the thickness of the workpiece. The sawtooth should come out of the workpiece less than a full tooth height.

Passen Sie die Schnitttiefe an die Dicke des Werkstücks an. Der Sägezahn sollte weniger als eine volle Zahnhöhe aus dem Werkstück heraus treten.

Adapter la profondeur de coupe à l'épaisseur de la pièce.

Adattare la profondità di taglio allo spessore del pezzo in lavorazione.

Adaptar la profundidad de corte al grosor de la pieza de trabajo.

Adaptar a profundidade de corte a espessura da peça a ser trabalhada.

Pas de zaagdiepte aan de dikte van het werkstuk aan.

Tilpas skæredybden efter arbejdsstykkets tykkelse.

Tilpass skjæredybden til tykkelsen på arbejdsstykket.

Anpassa sågdjupet till arbetsstyckets tjocklek.

Aseta leikkaussyvyys työkalpleen paksuuden mukaan.

Προσαρμόστε το βάθος κοπής στο πάχος του υπό κατεργασία τεμαχίου.

Kesme derinliğini iş parçasının kalınlığına göre ayarlayın.

Prizpůsobte hloubku řezu tloušťce obrobku.

Hrúbku rezu prispôbte hrúbke obrobka.

Głębokość cięcia należy dopasować do grubości obrabianego przedmiotu.

A vágási mélységet a munkadarab vastagságának megfelelően kell megválasztani.

Prosimo, da globino reza prilagodite debelini obdelovanca.

Prilagodite dubinu rezanja debljini izratka.

Izvēlieties zāģēšanas dziļumu, kas atbilst zāģcjamā priekšmeta biezumam.

Pjovimo gylą tinkamai nustatykite pagal ruošinio storą.

Kohandage lõikesügavus tooriku paksusega.

Установливайте глубину реза в соответствии с толщиной детали.

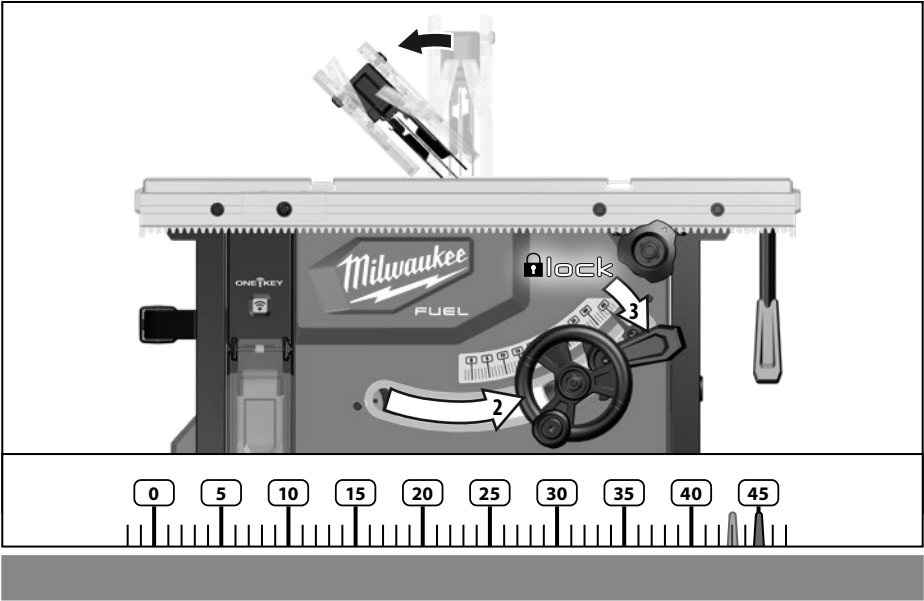
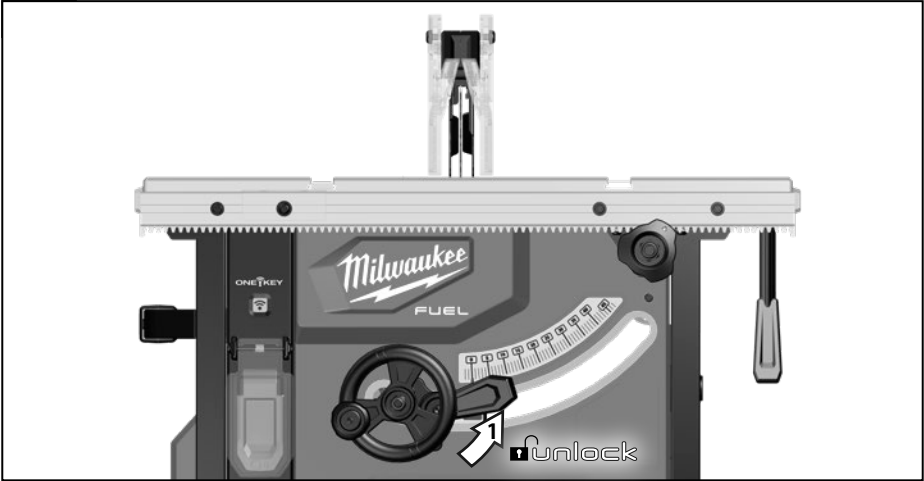
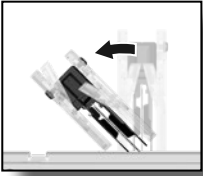
Винаги настройвайте дълбочината на рязане съобразно дебелината на стената на обработвания детайл.

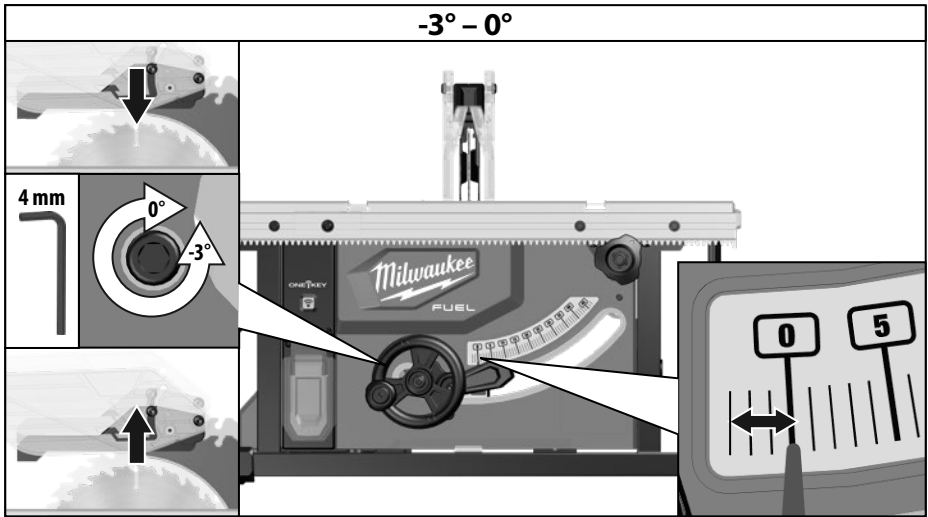
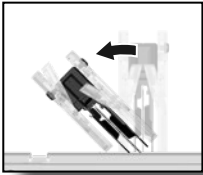
Adaptați adâncimea de tăiere la grosimea piesei de lucru.

Прилагодете ја длабочината на засеког во зависност од густината на обработуваното парче.

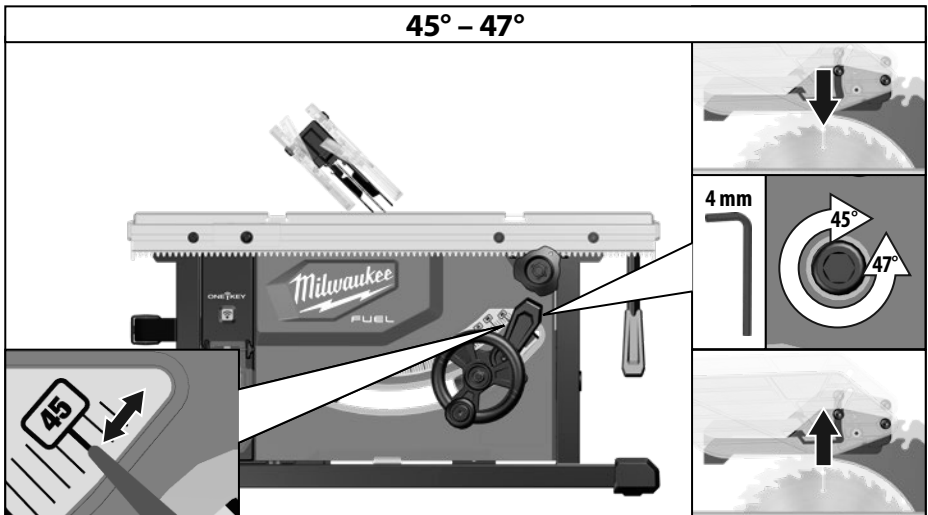
Глибина різання повинна відповідати товщині заготовки.

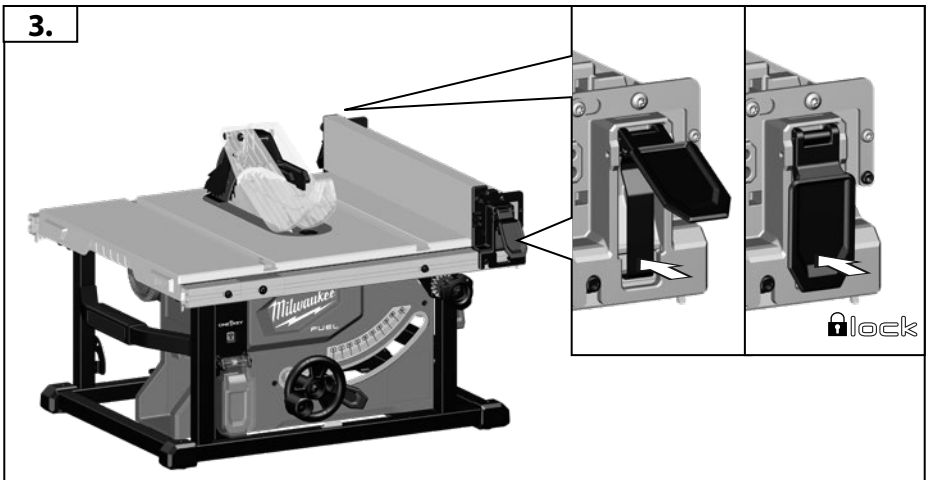
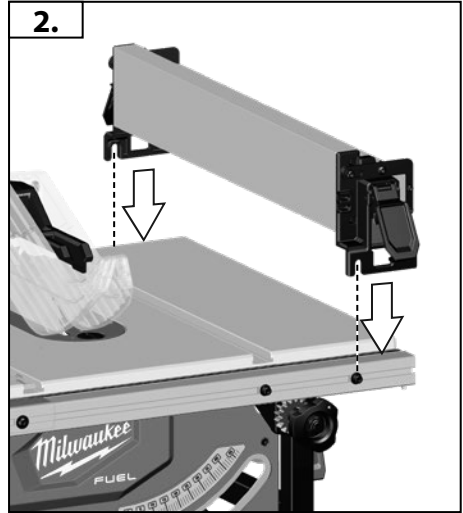
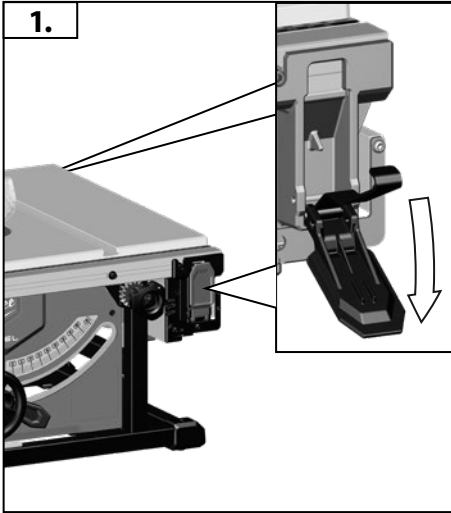
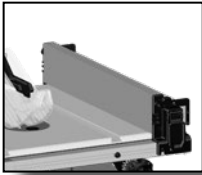
اضبط عمق القطع وفقاً لسُمك قطعة العمل.

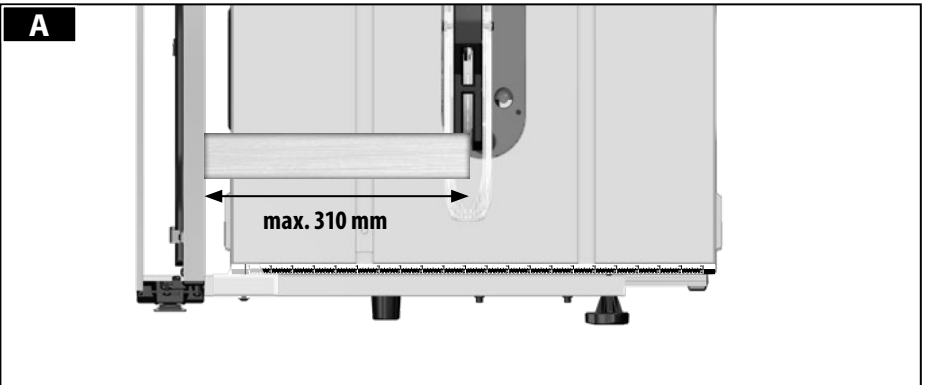
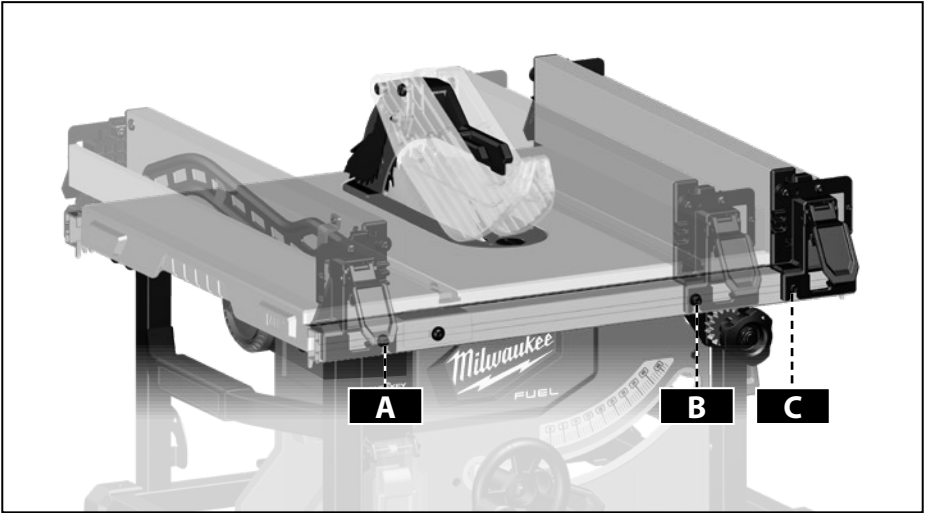


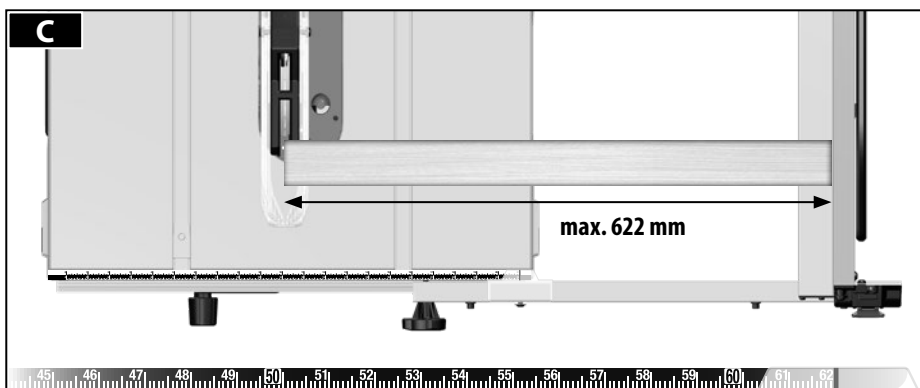
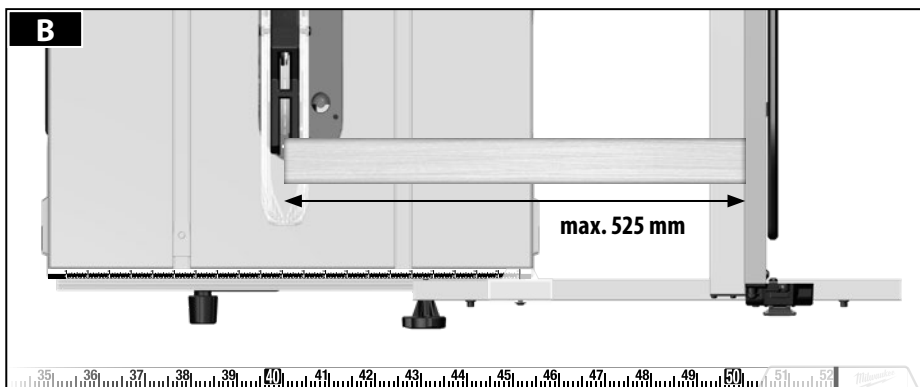


IV

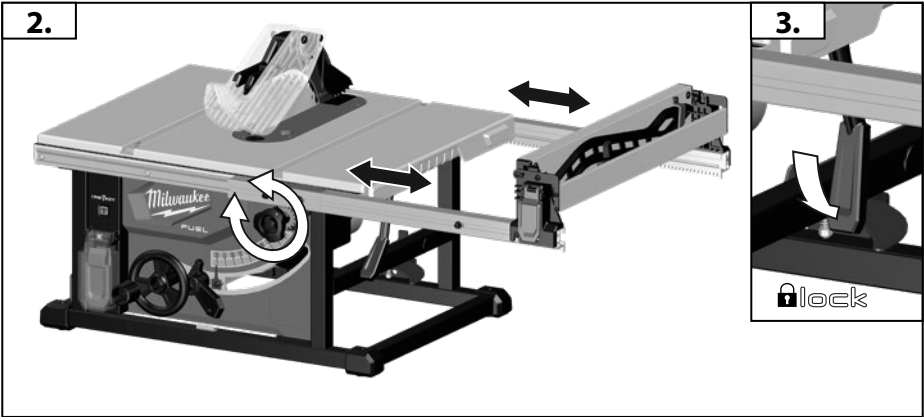
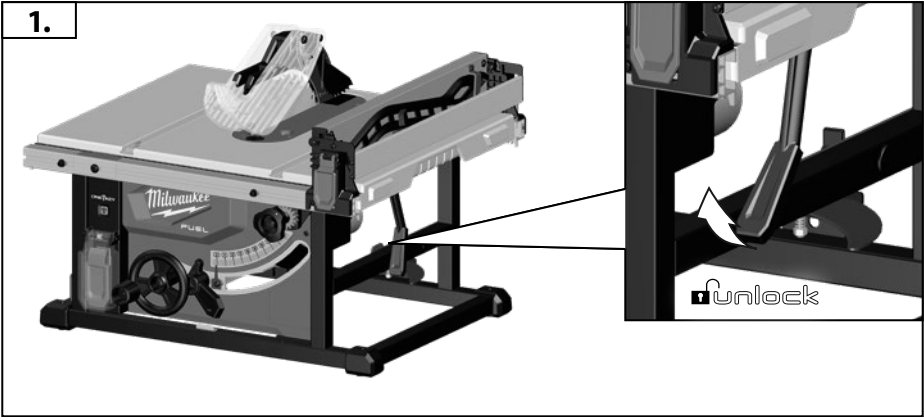
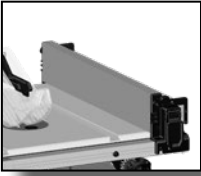


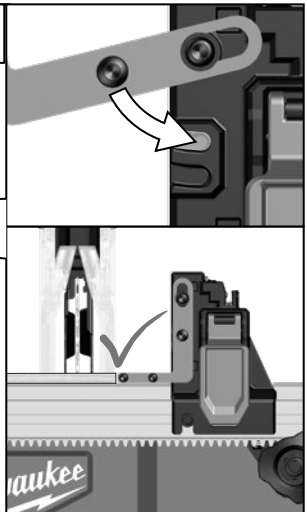
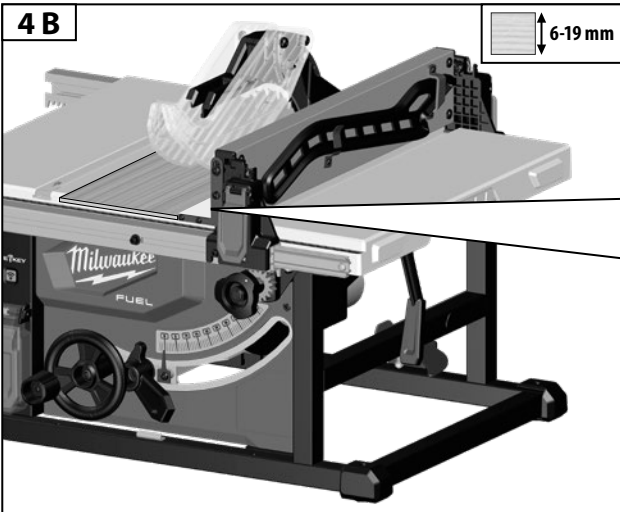
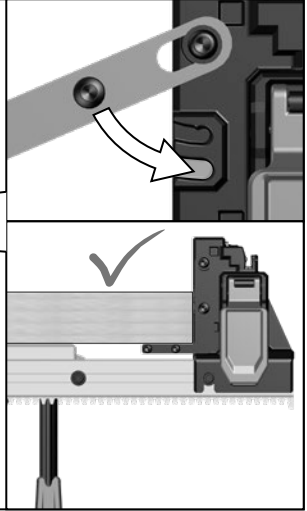
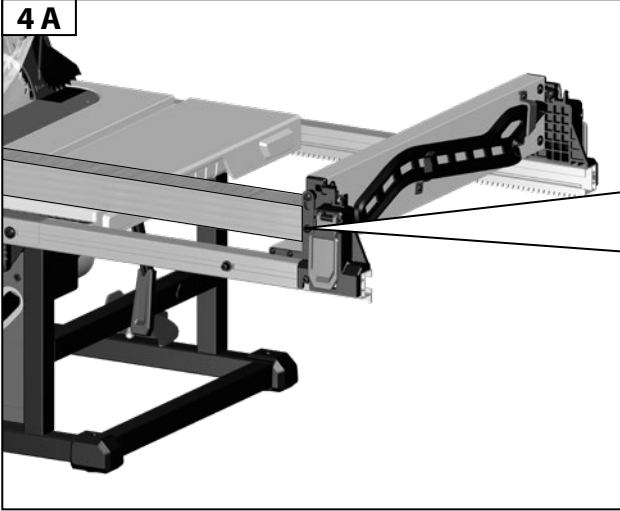
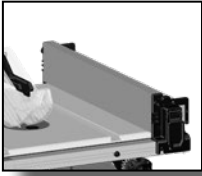


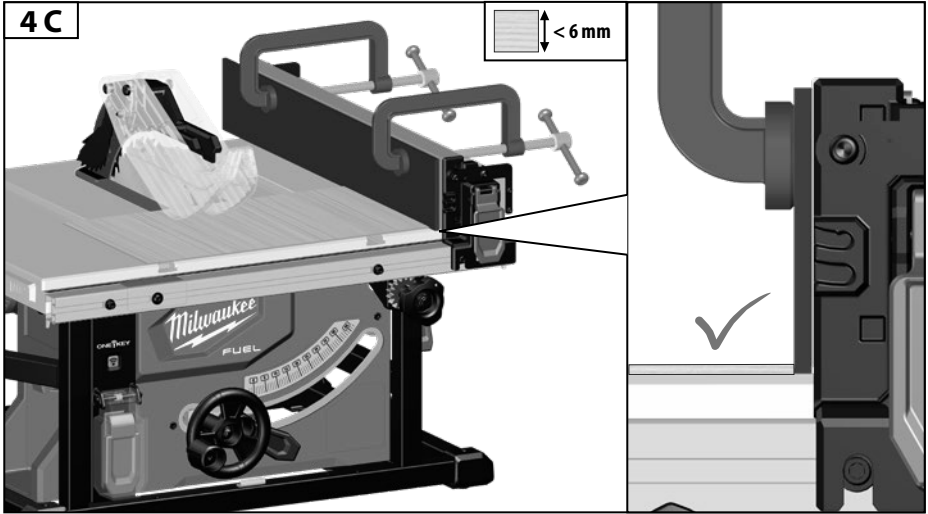
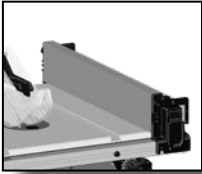


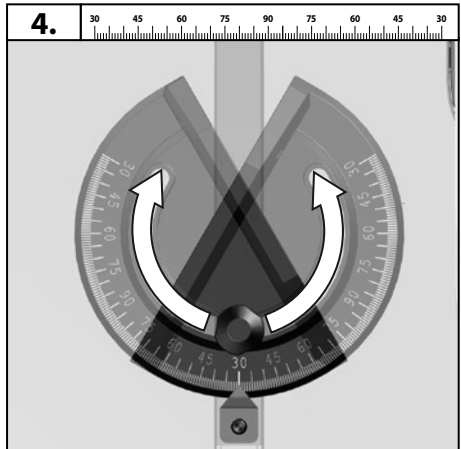
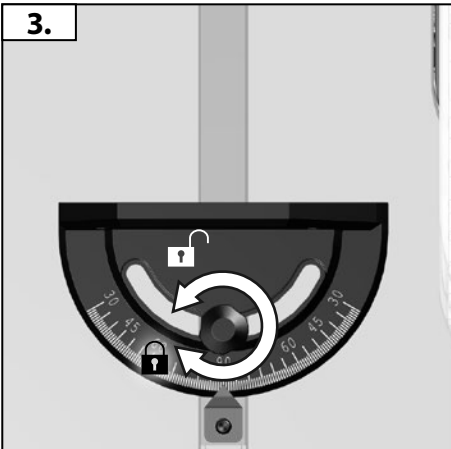
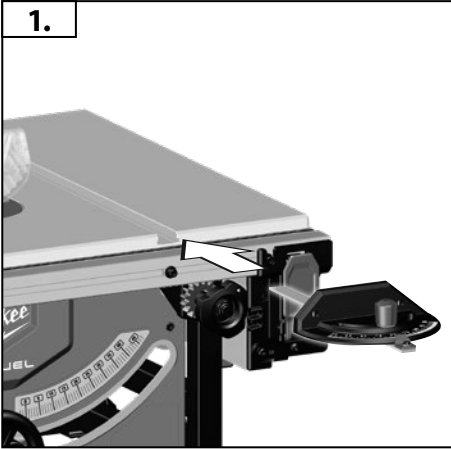
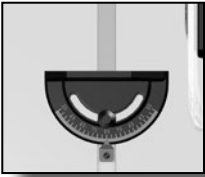


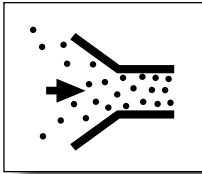






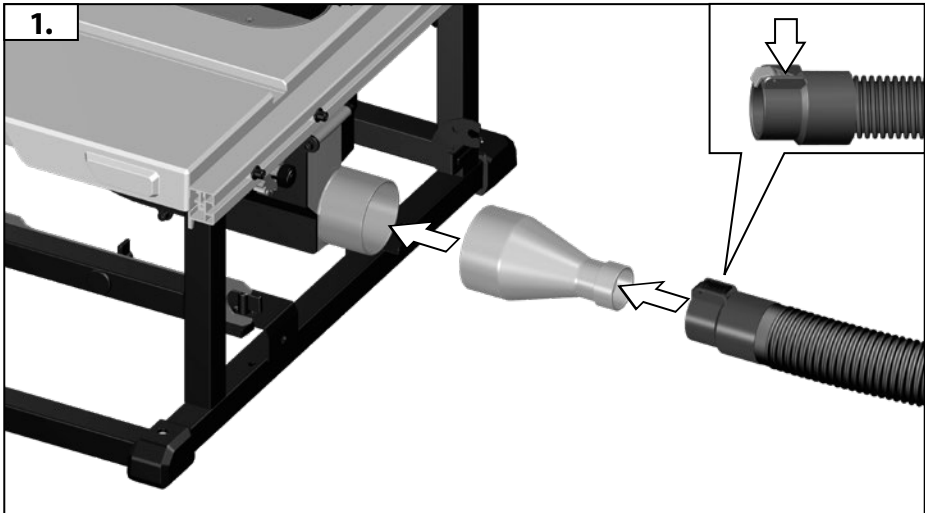


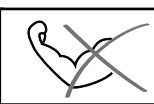
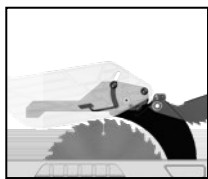




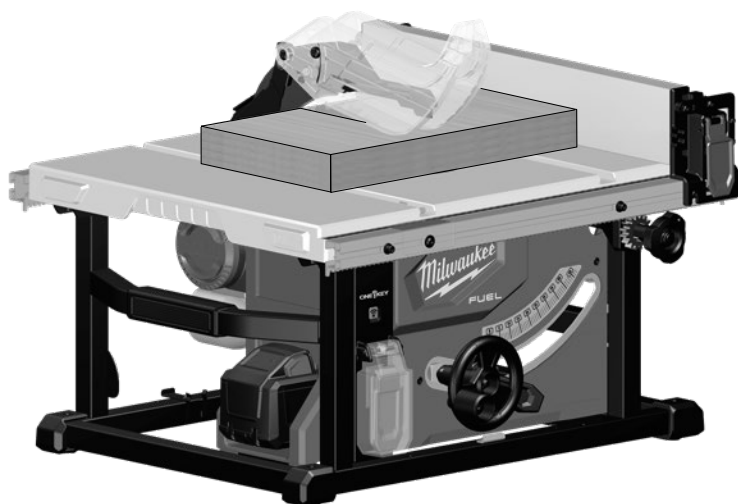


|   |  |   |
|---|--|---|
|   |  |  |
| A | AS 2-250   | 4931 4472 95  |
| B | AS300<br>AS-30<br>AS-42  | 4931 4472 94  |





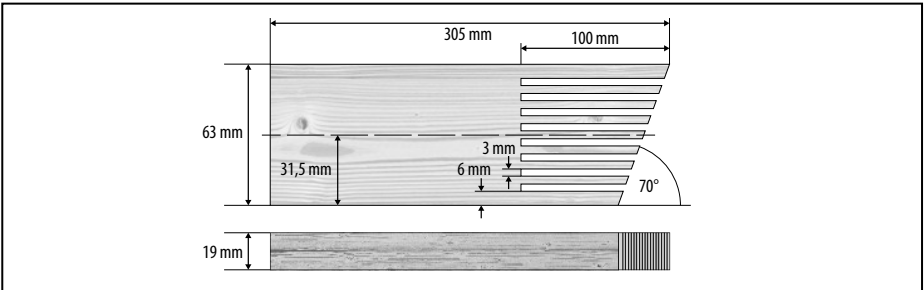
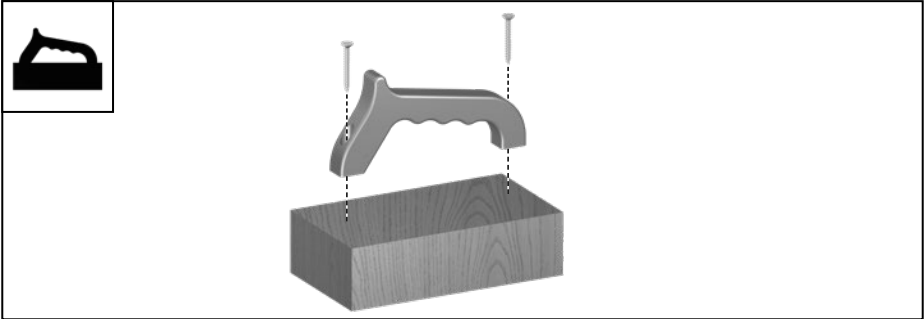
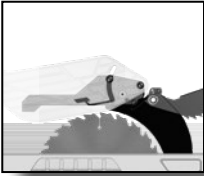
VIII

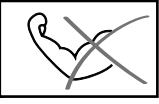
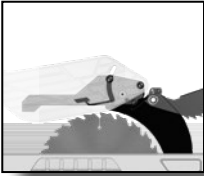


Carry out a test cut  
Probeschnitt durchführen  
Effectuer une coupe d'essai  
Effettuare un taglio di prova  
Efectuar corte de prueba  
Efectuar experièncias de corte  
Proefsnede maken  
Foretages et prøvesnit  
Foreta prøvekutt

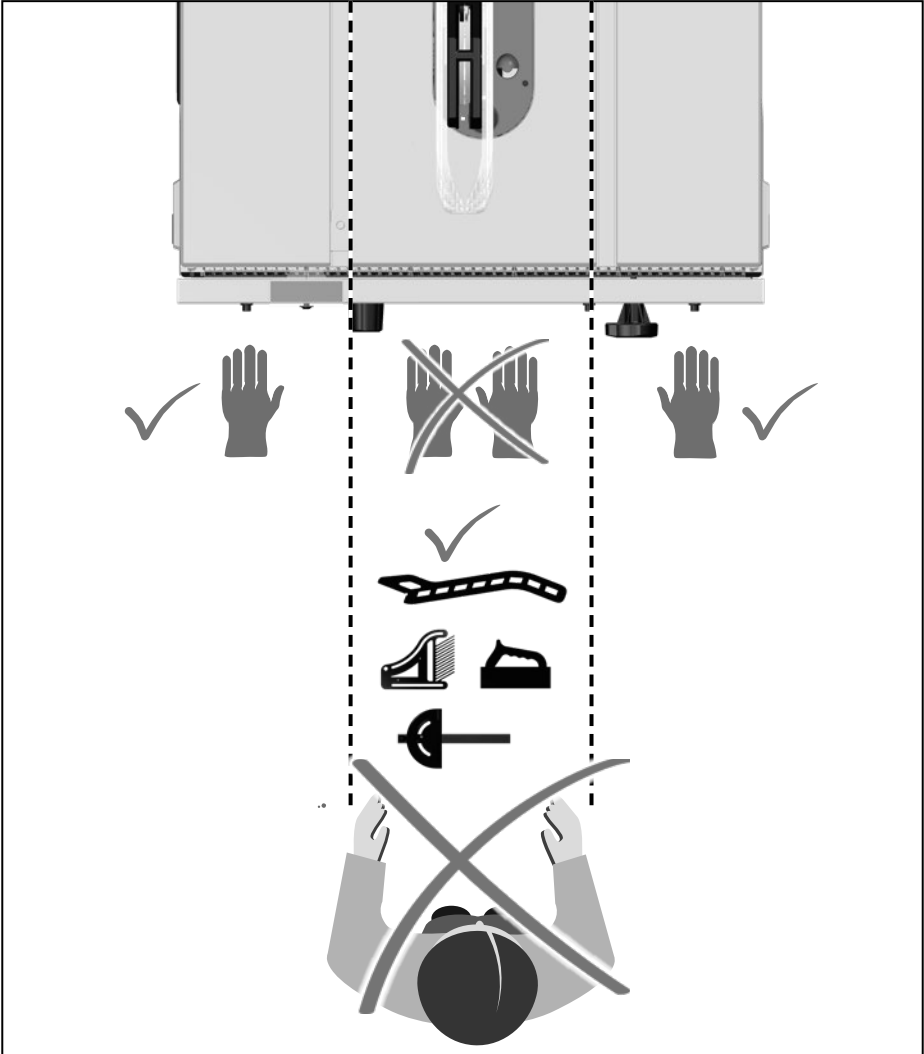
Gör ett provsnitt!  
Πραγματοποιήστε μια δοκιμαστική τομή.  
Deneme kesmesi yapın  
Proved'te zkušební řez.  
Vykonat' skušobný rez.  
Wykonac próbè ciècia  
Végezzen teszvágást  
Opravite preizkusni rez!  
Izvesti probno rezanje

Jäveic izmēginājuma griezumš!  
Atlikite bandomajį pjūvį!  
Teha proovilõige!  
Выполните пробный проход  
Направете пробно рязане!  
Efectuați un test de tăiere  
Да се направи пробно сеченье  
Виконати пробне різання  
إجراء اختبار القطع

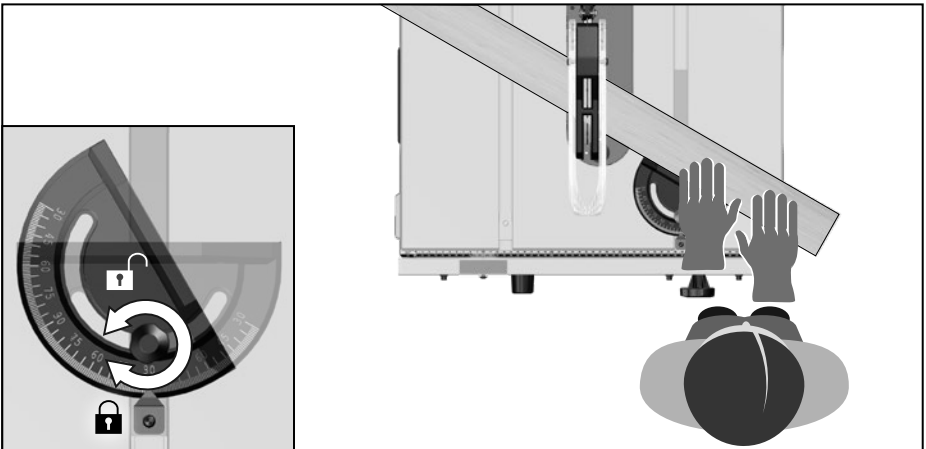
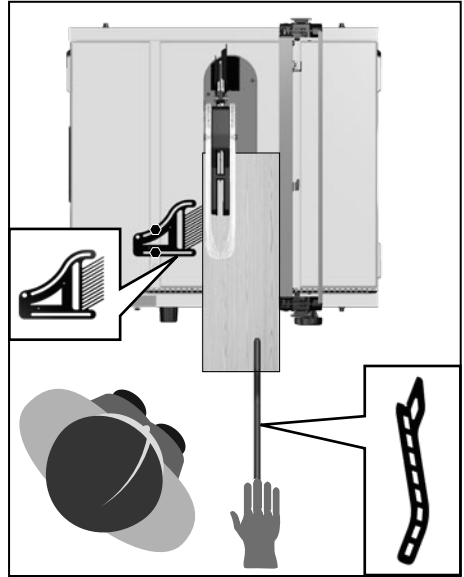
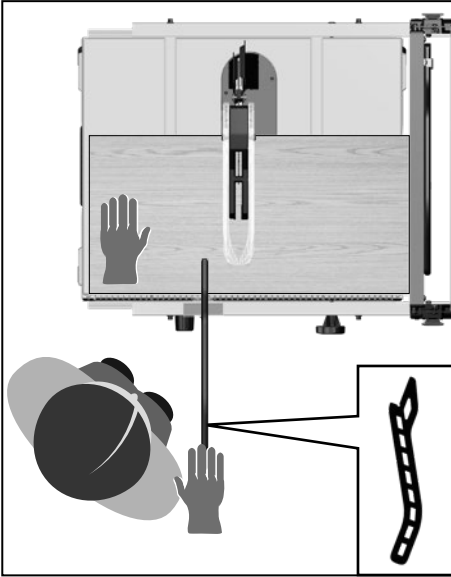
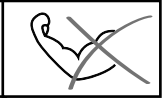
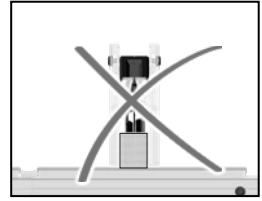
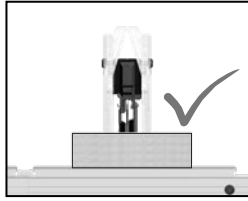
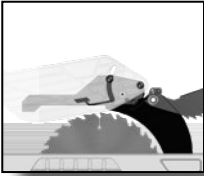


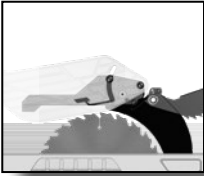


VIII

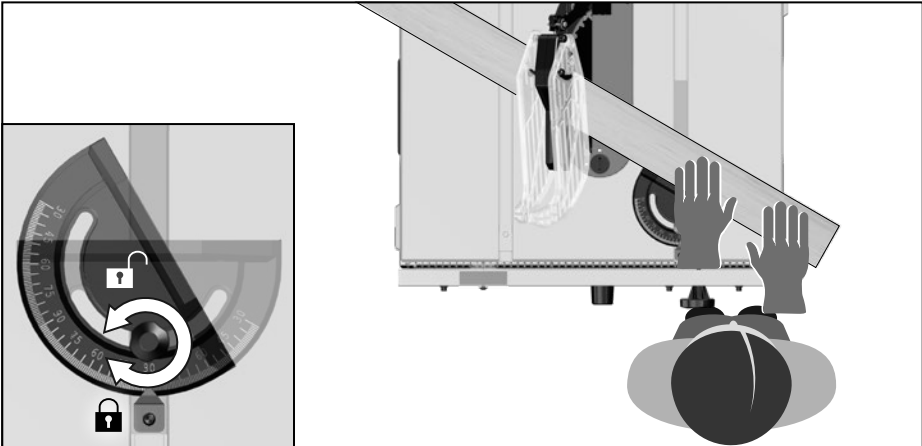
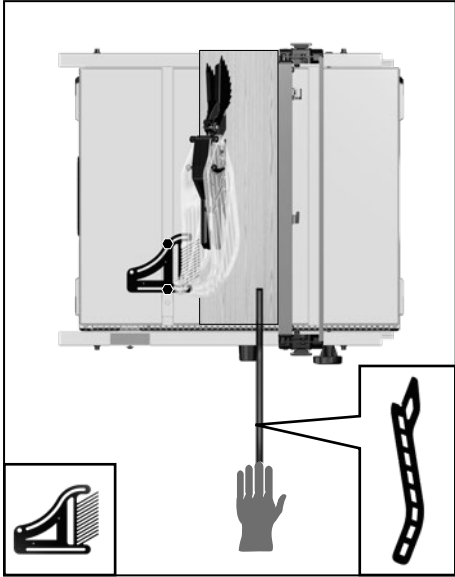
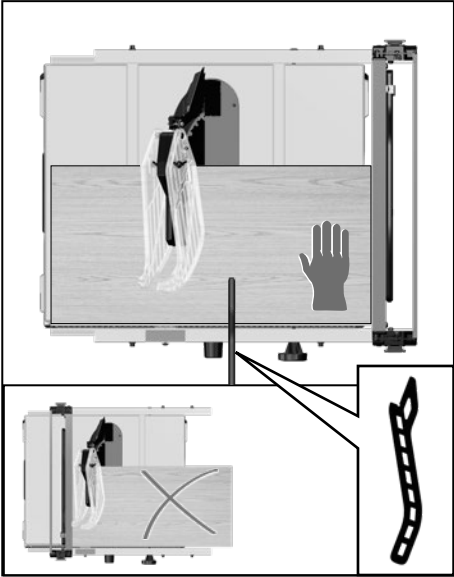


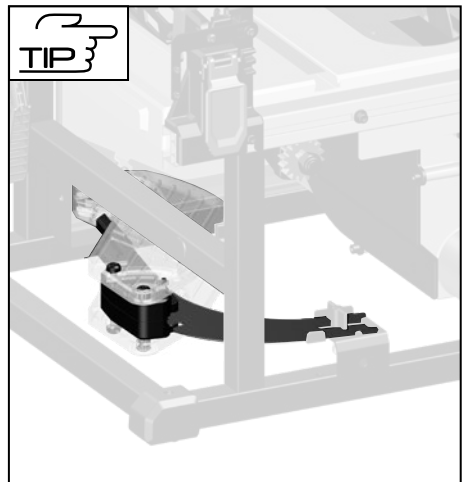
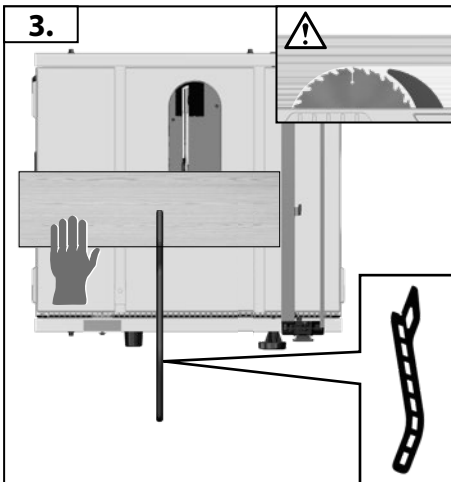
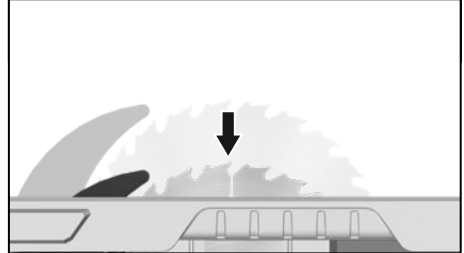
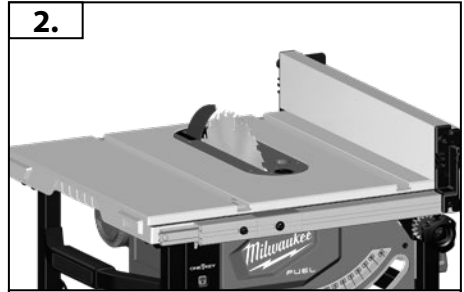
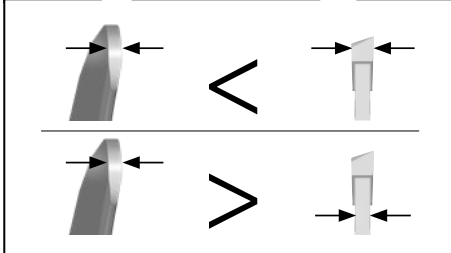
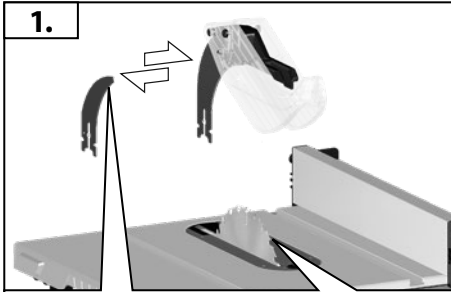
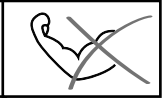
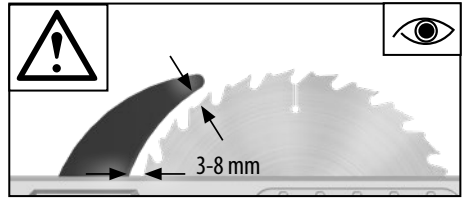
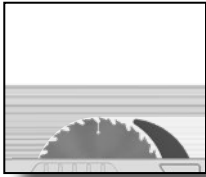


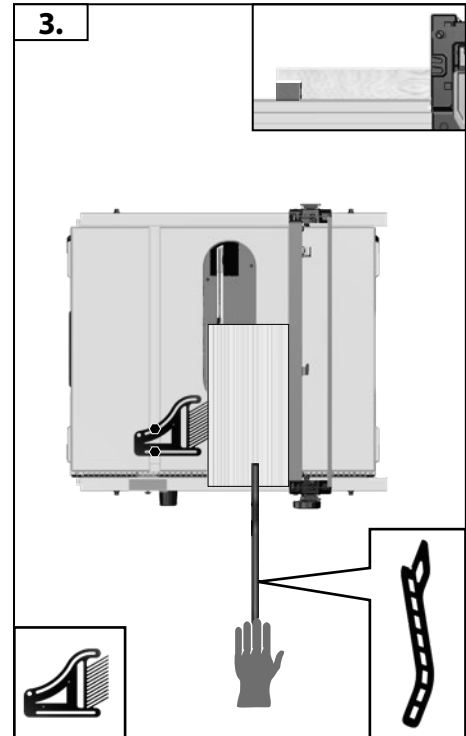
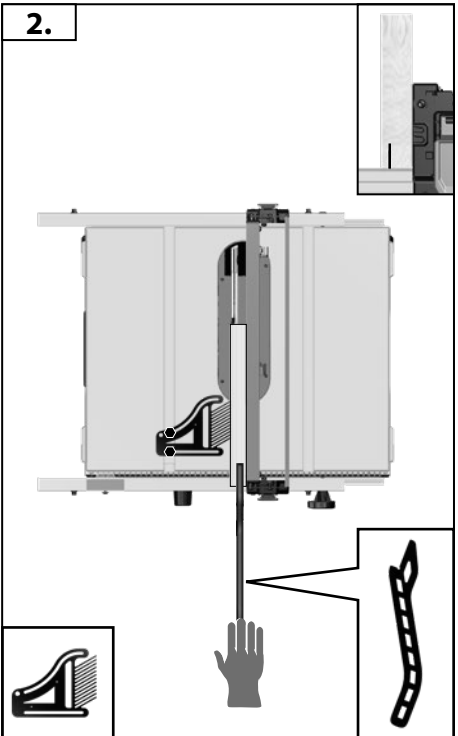
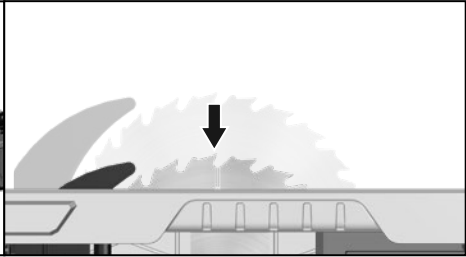
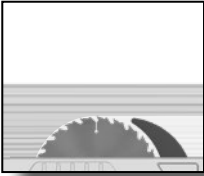


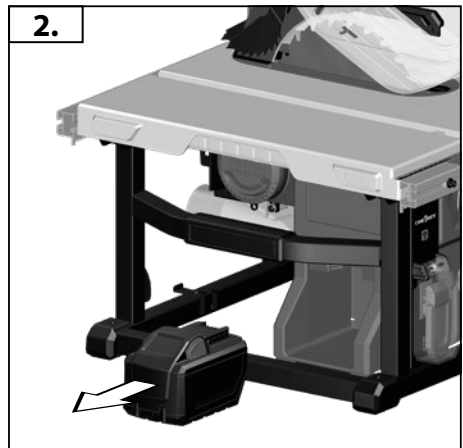
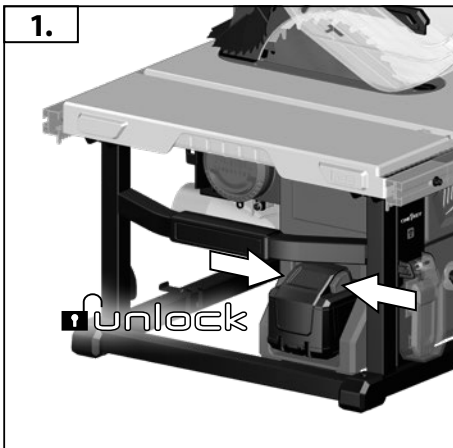
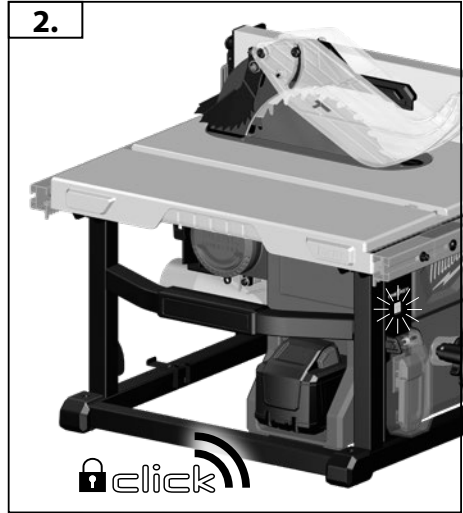
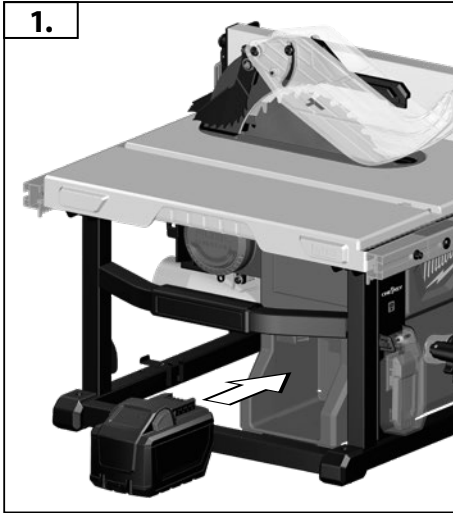


VIII







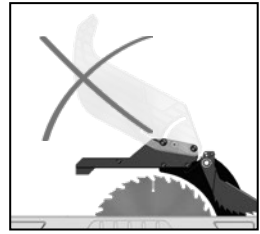
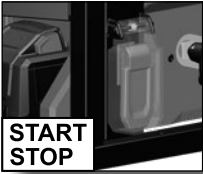




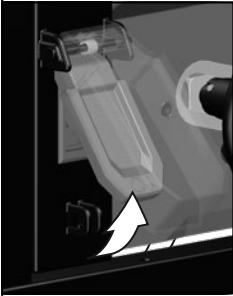
TIP



|          |  |  |
|----------|--|--|
| 78-100 % |  |  |
| 55-77 %  |  |  |
| 33-54 %  |  |  |
| 10-32 %  |  |  |
| <10 %    |  |  |

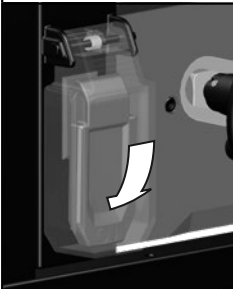


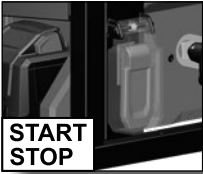
### Start



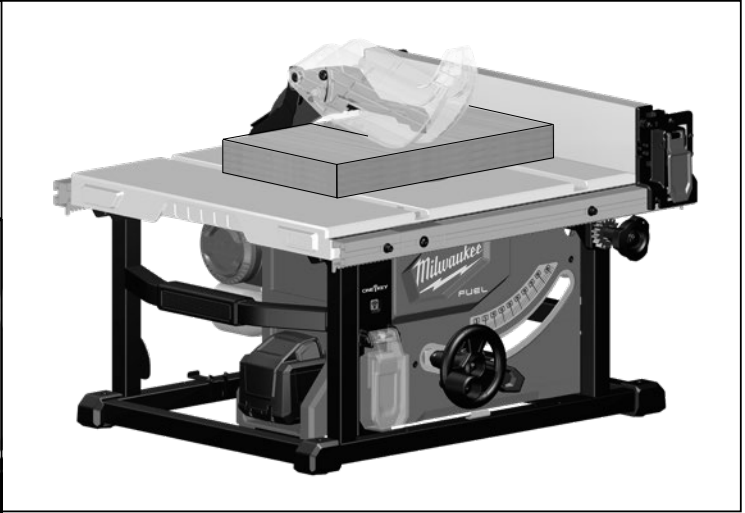
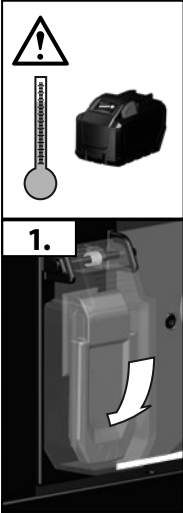
START  
STOP  
XI

### Stop

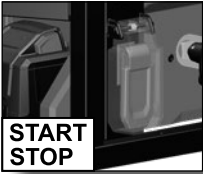




START  
STOP  
XI





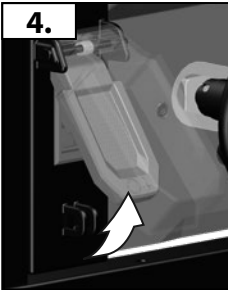


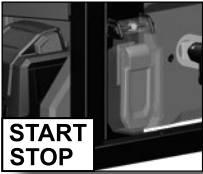
3.

10min

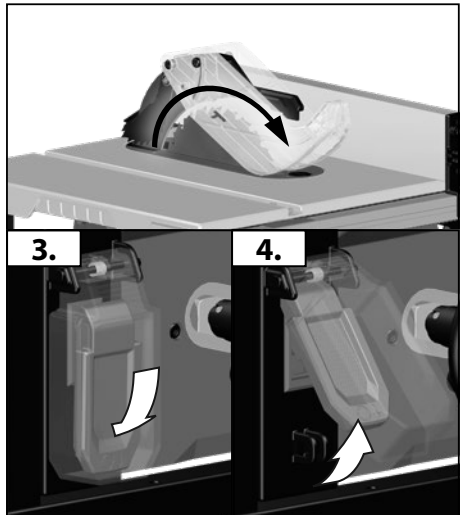


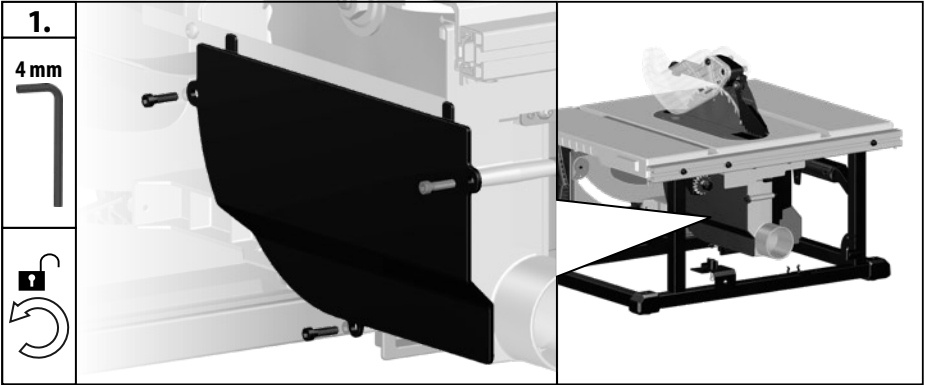
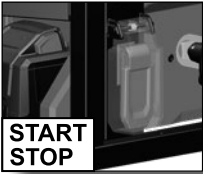
START  
STOP  
XI



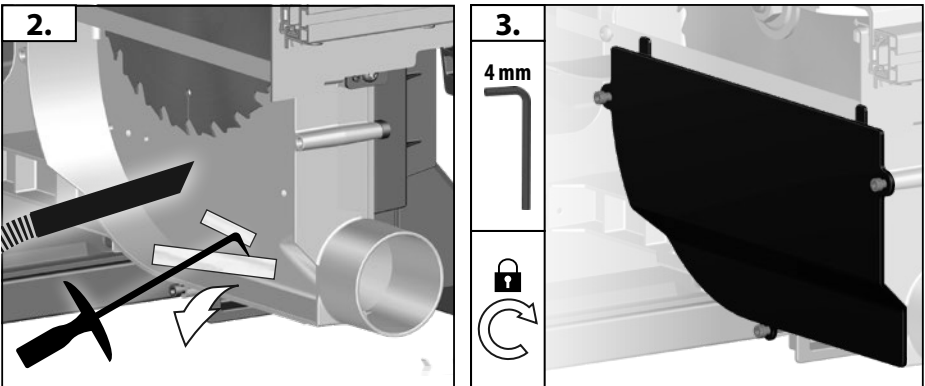


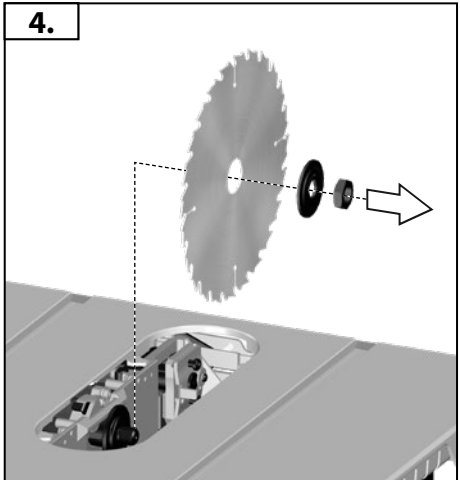
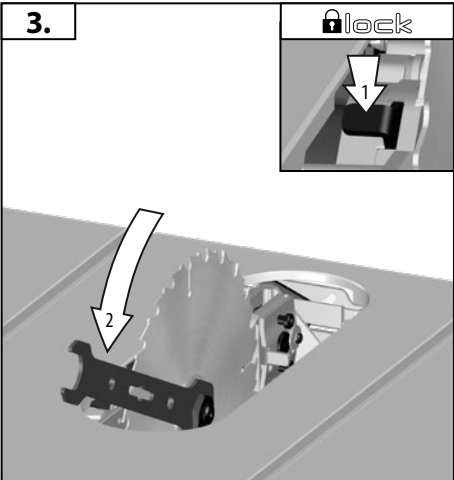
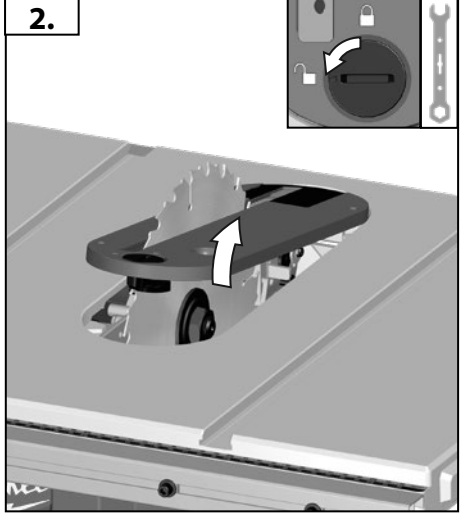
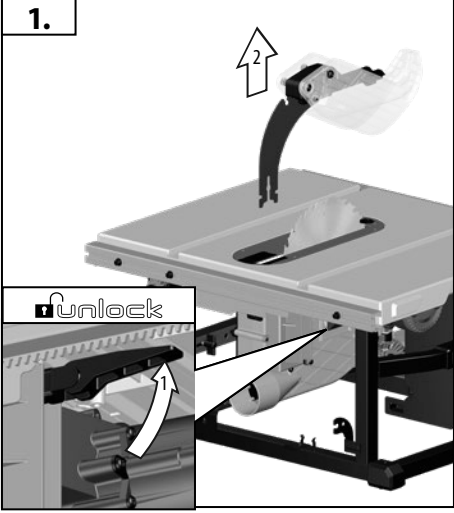
START  
STOP  
X

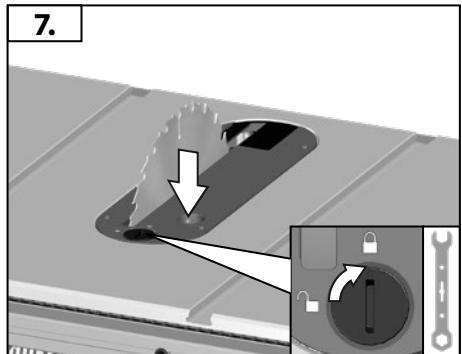
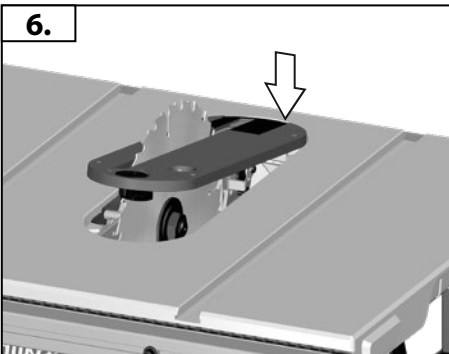
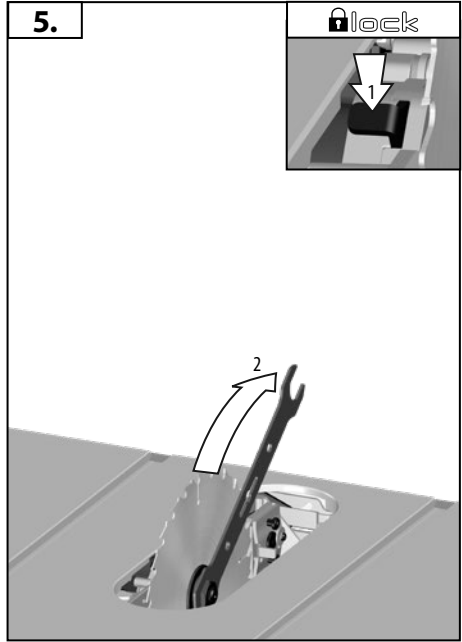
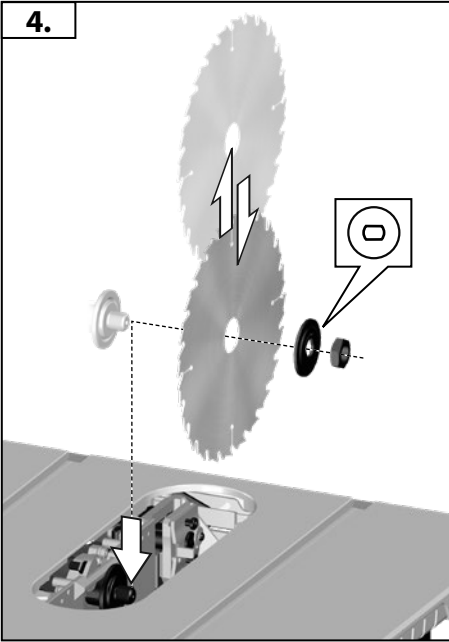
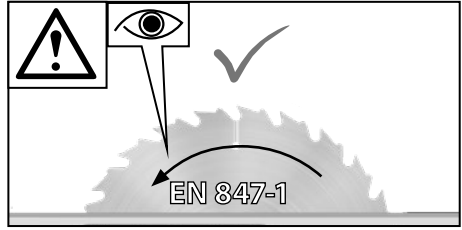
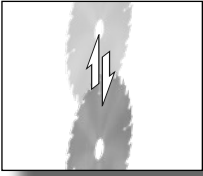


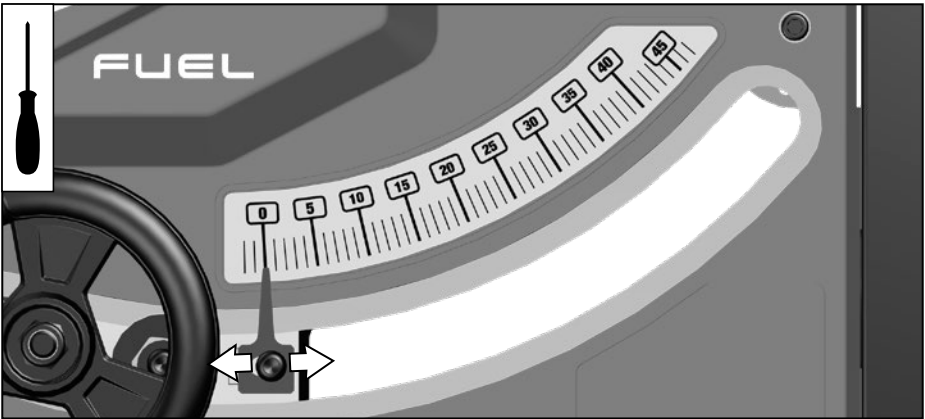
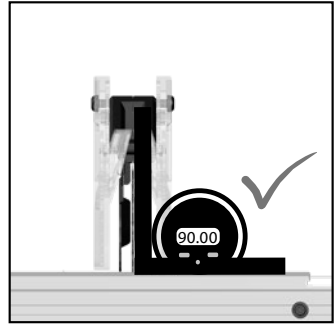
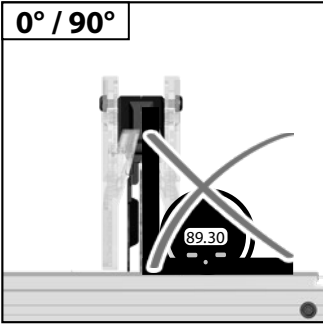


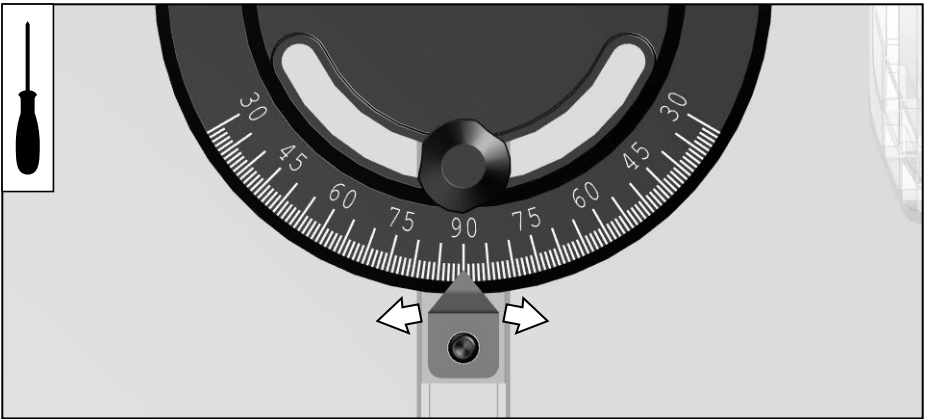
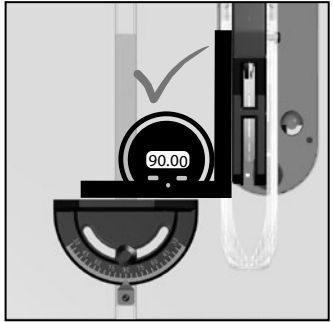
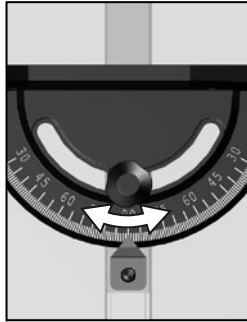
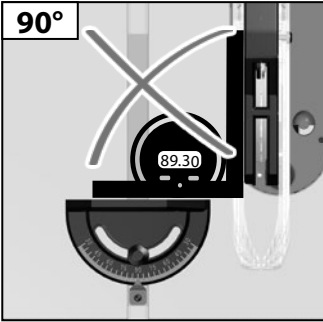
**START  
STOP  
XI**

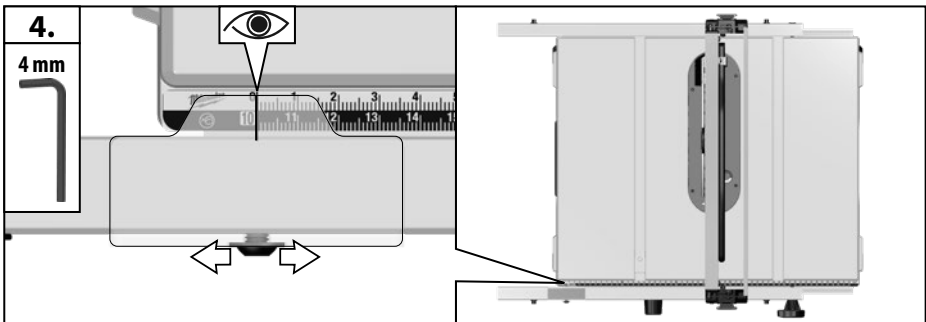
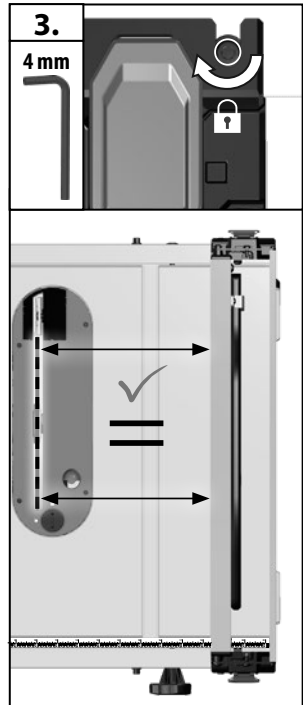
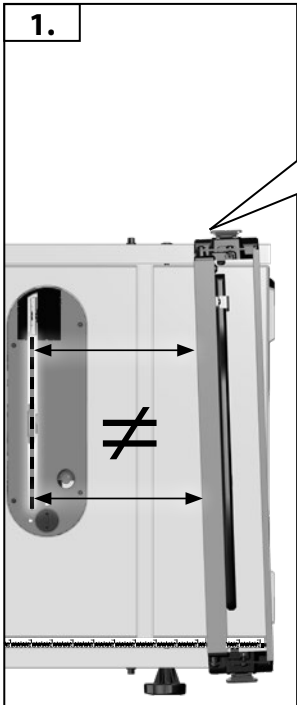




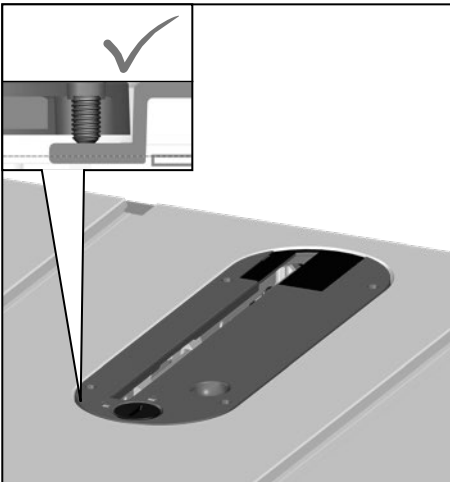
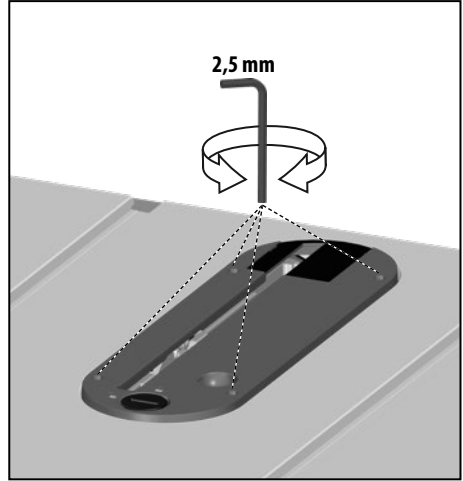
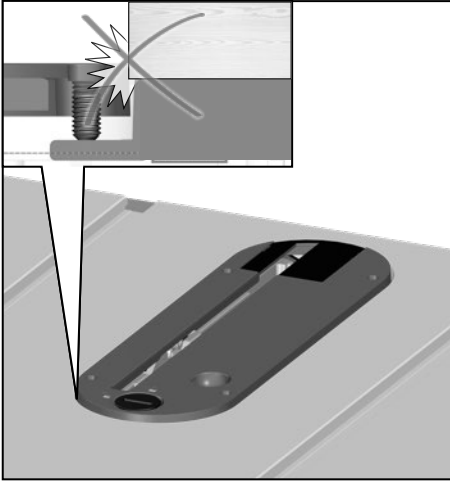


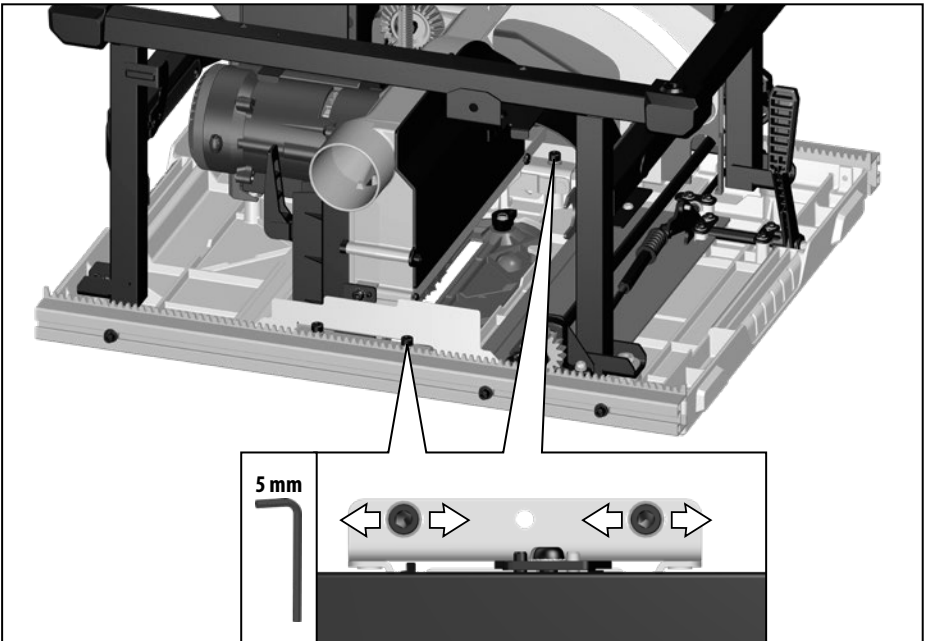
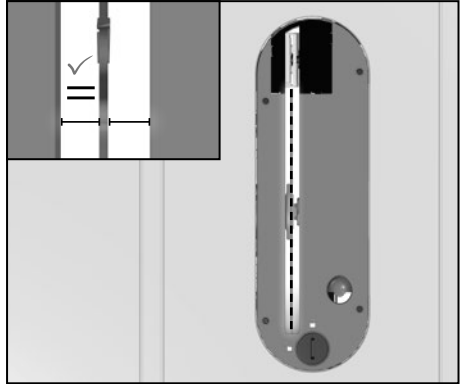
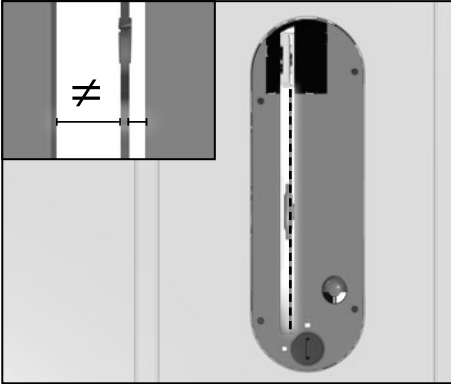


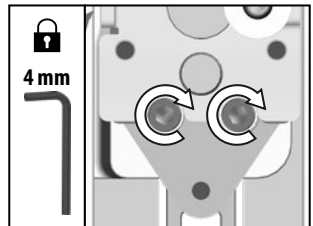
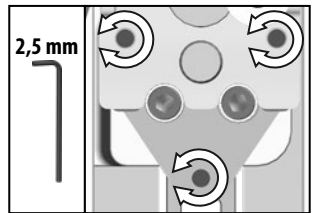
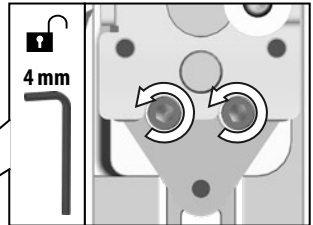
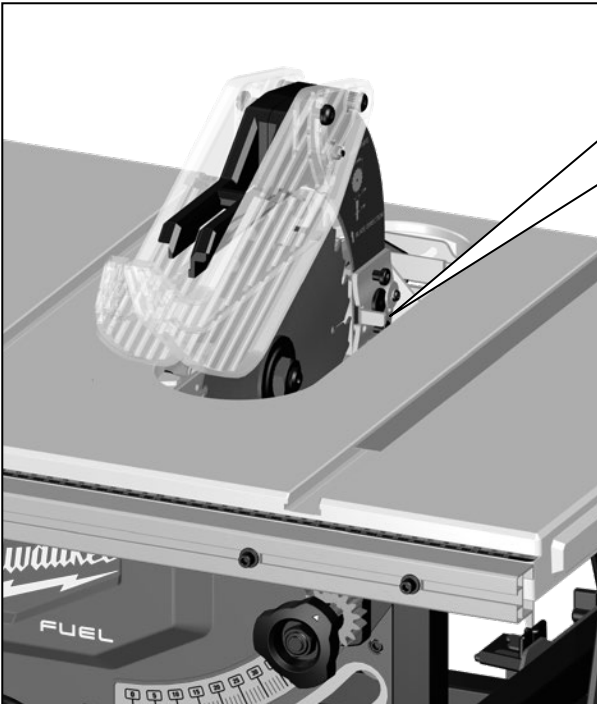
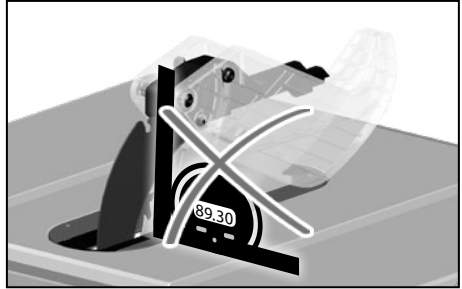
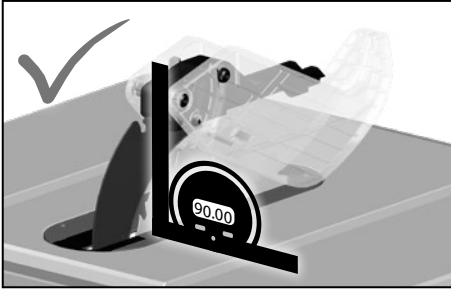


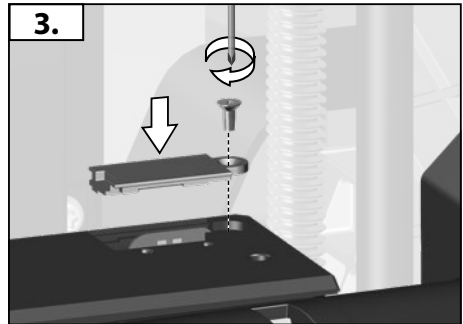
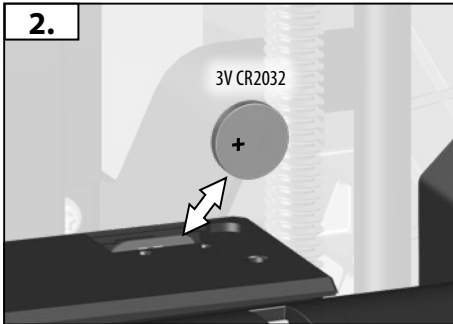
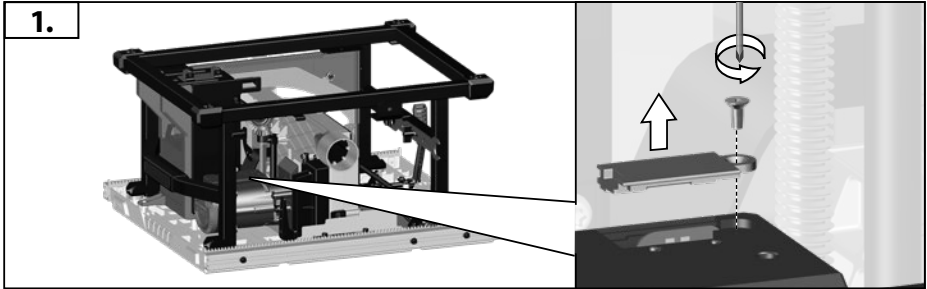


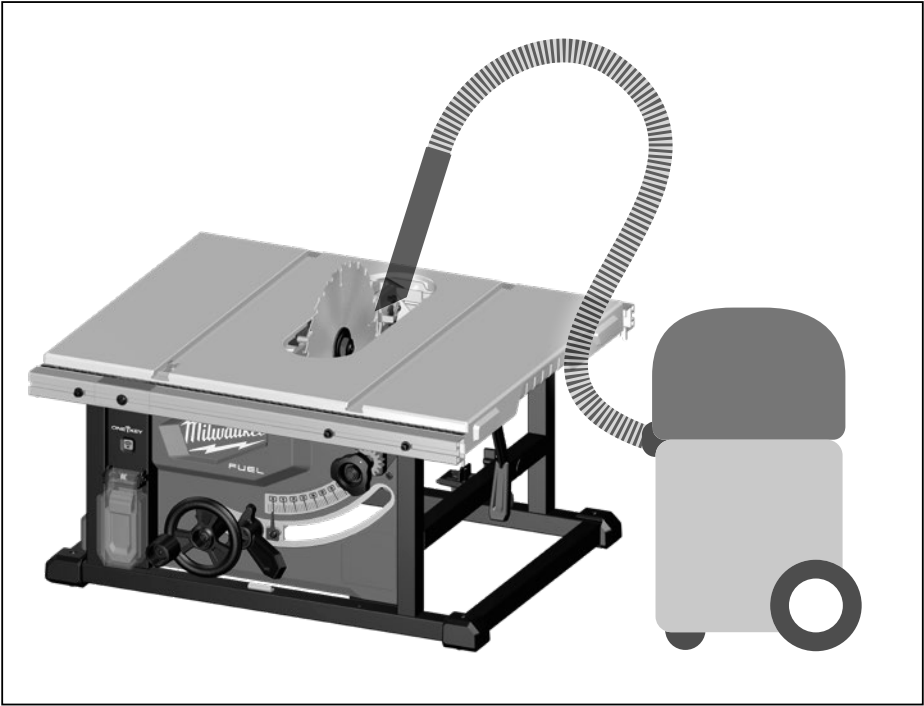
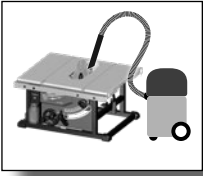








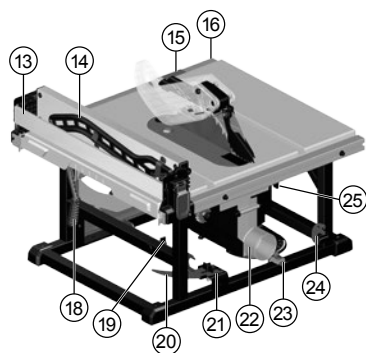
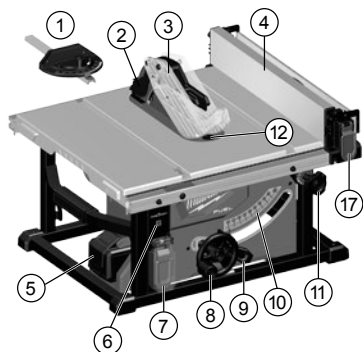




XV



| TECHNICAL DATA  |                                    | M18 FTS210      |
|---|------------------------------------|-----------------|
| <b>Circular table saw</b>   |                                    |                 |
| Production code   | 4609 60 02...<br>... 000001-999999 |                 |
| Battery voltage   | 18 V                               |                 |
| No-load speed   | 6300 min <sup>-1</sup>             |                 |
| Frequency band  | 2402-2480 MHz                      |                 |
| Radio-frequency power   | 1,8 dBm                            |                 |
| Saw blade dia. x hole dia   | 210 x 30 mm                        |                 |
| Saw blade body thickness  | max. 1,55 mm                       |                 |
| Tooth thickness   | min. 1,8 mm<br>max. 2,2 mm         |                 |
| Max. Cutting depth at 0 / 45°   | 63,5 / 44 mm                       |                 |
| Distance between rip fence and saw blade max.   | Left                               | 310 mm          |
|   | Right                              | 525 mm / 622 mm |
| Weight according EPTA-Procedure 01/2014 (Li-Ion 2,0 Ah ... 12,0 Ah)                                       | 21,2 kg ... 22,3 kg                |                 |
| Recommended Ambient Operating Temperature   | -18°C ... +50°C                    |                 |
| Recommended battery types   | M18B... / M18HB...                 |                 |
| Recommended charger   | M12-18... / M1418 C6               |                 |
| <b>Noise information</b>  |                                    |                 |
| Measured values determined according to EN 62841. Typically, the A-weighted noise levels of the tool are: |                                    |                 |
| Sound pressure level (Uncertainty K=3dB(A))   | 92,37 dB(A)                        |                 |
| Sound power level (Uncertainty K=3dB(A))  | 103,37 dB(A)                       |                 |
| <b>Wear ear protectors!</b>   |                                    |                 |



#### Device description

- ① Miter gauge
- ② Anti-kickback pawls
- ③ Riving knife with guard / Blade guard
- ④ Rip fence
- ⑤ Battery
- ⑥ ONE KEY indicator
- ⑦ Power switch / Switch cover
- ⑧ Height adjusting handwheel
- ⑨ Bevel locking lever
- ⑩ Bevel scale
- ⑪ Fence adjusting wheel
- ⑫ Throat plate / Throat plate latch
- ⑬ Extending flip fence
- ⑭ Push stick
- ⑮ Rip scale indicator
- ⑯ Rip scale
- ⑰ Fence latches
- ⑱ Fence lock
- ⑲ Blade wrench storage / Blade wrench
- ⑳ Riving knife
- ㉑ Riving knife / Riving knife with guard storage
- ㉒ Dust chute
- ㉓ Miter gauge storage
- ㉔ Anti-kickback pawls storage
- ㉕ Riving knife release lever

**⚠ WARNING** Read all safety warnings, instructions, illustrations and specifications provided with this power tool. Failure to follow the warnings and instructions may result in electric shock, fire and/or serious injury.  
**Save all warnings and instructions for future reference.**

## **⚠ SAFETY INSTRUCTIONS FOR TABLE SAWS**

### **1) Guarding related warnings**

- a) **Keep guards in place. Guards must be in working order and be properly mounted.** A guard that is loose, damaged, or is not functioning correctly must be repaired or replaced.
- b) **Always use saw blade guard, riving knife and anti-kickback device for every through-cutting operation.** For through-cutting operations where the saw blade cuts completely through the thickness of the workpiece, the guard and other safety devices help reduce the risk of injury.
- c) **Immediately reattach the guarding system after completing an operation (such as rabbeting) which requires removal of the guard, riving knife and/or anti-kickback device.** The guard, riving knife, and anti-kickback device help to reduce the risk of injury.
- d) **Make sure the saw blade is not contacting the guard, riving knife or the workpiece before the switch is turned on.** Inadvertent contact of these items with the saw blade could cause a hazardous condition.
- e) **Adjust the riving knife as described in this instruction manual.** Incorrect spacing, positioning and alignment can make the riving knife ineffective in reducing the likelihood of kickback.
- f) **For the riving knife and anti-kickback device to work, they must be engaged in the workpiece.** The riving knife and anti-kickback device are ineffective when cutting workpieces that are too short to be engaged with the riving knife and anti-kickback device. Under these conditions a kickback cannot be prevented by the riving knife and antikickback device.
- g) **Use the appropriate saw blade for the riving knife.** For the riving knife to function properly, the saw blade diameter must match the appropriate riving knife and the body of the saw blade must be thinner than the thickness of the riving knife and the cutting width of the saw blade must be wider than the thickness of the riving knife.

### **2) Cutting procedures warnings**

- a) **⚠ DANGER: Never place your fingers or hands in the vicinity or in line with the saw blade.** A moment of inattention or a slip could direct your hand towards the saw blade and result in serious personal injury.
- b) **Feed the workpiece into the saw blade only against the direction of rotation.** Feeding the workpiece in the same direction that the saw blade is rotating above the table may result in the workpiece, and your hand, being pulled into the saw blade.
- c) **Never use the mitre gauge to feed the workpiece when ripping and do not use the rip fence as a length stop when cross cutting with the mitre gauge.** Guiding the workpiece with the rip fence and the mitre gauge at the same time increases the likelihood of saw blade binding and kickback.
- d) **When ripping, always apply the workpiece feeding force between the fence and the saw blade. Use a push stick when**

**the distance between the fence and the saw blade is less than 150 mm, and use a push block when this distance is less than 50 mm.** "Work helping" devices will keep your hand at a safe distance from the saw blade.

- e) **Use only the push stick provided by the manufacturer or constructed in accordance with the instructions.** This push stick provides sufficient distance of the hand from the saw blade.
- f) **Never use a damaged or cut push stick.** A damaged push stick may break causing your hand to slip into the saw blade.
- g) **Do not perform any operation "freehand". Always use either the rip fence or the mitre gauge to position and guide the workpiece.** "Freehand" means using your hands to support or guide the workpiece, in lieu of a rip fence or mitre gauge. Freehand sawing leads to misalignment, binding and kickback.
- h) **Never reach around or over a rotating saw blade.** Reaching for a workpiece may lead to accidental contact with the moving saw blade.
- i) **Provide auxiliary workpiece support to the rear and/or sides of the saw table for long and/or wide workpieces to keep them level.** A long and/or wide workpiece has a tendency to pivot on the table's edge, causing loss of control, saw blade binding and kickback.
- j) **Feed workpiece at an even pace. Do not bend or twist the workpiece. If jamming occurs, turn the tool off immediately, unplug the tool then clear the jam.** Jamming the saw blade by the workpiece can cause kickback or stall the motor.
- k) **Do not remove pieces of cut-off material while the saw is running.** The material may become trapped between the fence or inside the saw blade guard and the saw blade pulling your fingers into the saw blade. Turn the saw off and wait until the saw blade stops before removing material.
- l) **Use an auxiliary fence in contact with the table top when ripping workpieces less than 2 mm thick.** A thin workpiece may wedge under the rip fence and create a kickback.

### **3) Kickback causes and related warnings**

Kickback is a sudden reaction of the workpiece due to a pinched, jammed saw blade or misaligned line of cut in the workpiece with respect to the saw blade or when a part of the workpiece binds between the saw blade and the rip fence or other fixed object.

Most frequently during kickback, the workpiece is lifted from the table by the rear portion of the saw blade and is propelled towards the operator.

Kickback is the result of saw misuse and/or incorrect operating procedures or conditions and can be avoided by taking proper precautions as given below.

- a) **Never stand directly in line with the saw blade. Always position your body on the same side of the saw blade as the fence.** Kickback may propel the workpiece at high velocity towards anyone standing in front and in line with the saw blade.
- b) **Never reach over or in back of the saw blade to pull or to support the workpiece.** Accidental contact with the saw blade may occur or kickback may drag your fingers into the saw blade.
- c) **Never hold and press the workpiece that is being cut off against the rotating saw blade.** Pressing the workpiece being cut off against the saw blade will create a binding condition and kickback.
- d) **Align the fence to be parallel with the saw blade.** A misaligned fence will pinch the workpiece against the saw blade and create kickback.



- e) **Use a featherboard to guide the workpiece against the table and fence when making non-through cuts such as rabbeting.** A featherboard helps to control the workpiece in the event of a kickback.
- f) **Use extra caution when making a cut into blind areas of assembled workpieces.** The protruding saw blade may cut objects that can cause kickback.
- g) **Support large panels to minimise the risk of saw blade pinching and kickback.** Large panels tend to sag under their own weight. Support(s) must be placed under all portions of the panel overhanging the table top.
- h) **Use extra caution when cutting a workpiece that is twisted, knotted, warped or does not have a straight edge to guide it with a mitre gauge or along the fence.** A warped, knotted, or twisted workpiece is unstable and causes misalignment of the kerf with the saw blade, binding and kickback.
- i) **Never cut more than one workpiece, stacked vertically or horizontally.** The saw blade could pick up one or more pieces and cause kickback.
- j) **When restarting the saw with the saw blade in the workpiece, centre the saw blade in the kerf so that the saw teeth are not engaged in the material.** If the saw blade binds, it may lift up the workpiece and cause kickback when the saw is restarted.
- k) **Keep saw blades clean, sharp, and with sufficient set. Never use warped saw blades or saw blades with cracked or broken teeth.** Sharp and properly set saw blades minimise binding, stalling and kickback.

#### 4) Table saw operating procedure warnings

- a) **Turn off the table saw and disconnect the battery pack when removing the table insert, changing the saw blade or making adjustments to the riving knife, antikickback device or blade guard, and when the machine is left unattended.** Precautionary measures will avoid accidents.
- b) **Never leave the table saw running unattended. Turn it off and don't leave the tool until it comes to a complete stop.** An unattended running saw is an uncontrolled hazard.
- c) **Locate the table saw in a well-lit and level area where you can maintain good footing and balance. It should be installed in an area that provides enough room to easily handle the size of your workpiece.** Cramped, dark areas, and uneven slippery floors invite accidents.
- d) **Frequently clean and remove sawdust from under the saw table and/or the dust collection device.** Accumulated sawdust is combustible and may self-ignite.
- e) **The table saw must be secured.** A table saw that is not properly secured may move or tip over.
- f) **Remove tools, wood scraps, etc. from the table before the table saw is turned on.** Distraction or a potential jam can be dangerous.
- g) **Always use saw blades with correct size and shape (diamond versus round) of arbour holes.** Saw blades that do not match the mounting hardware of the saw will run off-centre, causing loss of control.
- h) **Never use damaged or incorrect saw blade mounting means such as flanges, saw blade washers, bolts or nuts.**

These mounting means were specially designed for your saw, for safe operation and optimum performance.

- i) **Never stand on the table saw, do not use it as a stepping stool.** Serious injury could occur if the tool is tipped or if the cutting tool is accidentally contacted.
- j) **Make sure that the saw blade is installed to rotate in the proper direction. Do not use grinding wheels, wire brushes, or abrasive wheels on a table saw.** Improper saw blade installation or use of accessories not recommended may cause serious injury.

#### Additional Safety and Working Instructions

Dadoing, plowing, resawing and moulding head cutting is prohibited.

Wear ear protectors. Exposure to noise can cause hearing loss.

Use protective equipment. Always wear safety glasses when working with the machine. The use of protective clothing is recommended, such as dust mask, protective gloves, sturdy non-slip footwear, helmet and ear defenders.

The dust produced when using this tool may be harmful to health. Do not inhale the dust. Use a dust absorption system and wear a suitable dust protection mask. Remove deposited dust thoroughly, e.g. with a vacuum cleaner.

Ensure that the machine is always stable and secure.

Before using the tool please read the instructions. If possible have the tool demonstrated.

Do not use saw blades which are damaged or deformed

Only use saw blades which have been properly sharpened.

Use only woodworking blades specified in this manual, which comply with EN 847-1.

To minimise noise, the tool must be sharpened and all noise reducing elements (covers etc.) must be properly adjusted.

Only use tools that meet standard EN 847-1.

Transport and store the tools in a suitable receptacle;

It is necessary to select a saw blade which is suitable for the material being cut.

It is essential to adhere to the maximum speed specified on the saw blade.

Do not use saw blades made of high-speed steel.

Do not use abrasion disks in this machine!

REMOVE ADJUSTING KEYS AND WRENCHES. From habit of checking to see that keys and adjusting wrenches are removed from tool before turning it "ON".

Any faults with the machine, including any related to the safeguard or the saw blades, must be reported to the persons in charge of safety as soon as the faults are discovered.

Never reach into the danger area of the machine when it is running.

Chips and splinters must not be removed while the machine is running.

Do not use the top protective cover as a handle for transportation!

Before transporting the machine, make sure that the top protective guard covers the top section of the saw blade.

Keeping rip fence parallel to the saw blade.

Keep the floor area free of loose material e.g. chips and cut-offs.

In spite of compliance with all relevant design regulations, dangers may still present themselves when the machine is operated, e.g.:

workpiece parts being thrown off,

parts of damaged tools being thrown off, noise emissions, wood dust emissions.

Remove the battery pack before starting any work on the appliance.





**WARNING!** To reduce the risk of fire, personal injury, and product damage due to a short circuit, never immerse your tool, battery pack or charger in fluid or allow a fluid to flow inside them. Corrosive or conductive fluids, such as seawater, certain industrial chemicals, and bleach or bleach containing products, etc., can cause a short circuit.

Use only System M18 chargers for charging System M18 battery packs. Do not use battery packs from other systems.

Never break open battery packs and chargers and store only in dry rooms. Keep dry at all times.

#### WARNING



This device contains a button-type/coin cell lithium battery. A new or used battery can cause severe internal burns and lead to death in as little as 2 hours if swallowed or if it enters the body. Always secure the cover on the battery compartment. If it does not close securely, stop the device, remove the battery and keep it out of reach of children. If you believe that someone has swallowed the battery or that it has otherwise entered the body, seek immediate medical attention.

#### SPECIFIED CONDITIONS OF USE

Use this circular saw to cut only wood and wood like products.

Never use the Circular table saw to cut materials other than those specified in the instruction manual.

Stock having a round or irregular cross section (such as firewood) must not be cut, as it can not be securely held during cutting. When sawing thin stock layed on edge, a suitable auxiliary fence must be used for firm support.

Rip cutting, cross cutting, mitre cutting and bevel cutting using max. one mounted saw blade.

#### RESIDUAL RISK

Even when the product is used as prescribed, it is still impossible to completely eliminate certain residual risk factors. The following hazards may arise in use and the operator should pay special attention to avoid the following:

- Impairment of hearing, restrict exposure and wear appropriate hearing protection.
- Measures that can be taken by operator to possibly reduce the effects of vibration and limit the amount of exposure.
- Health hazards caused by breathing dust developed when sawing wood, wear a mask if necessary.

#### MAINTENANCE

Remove the battery pack before starting any adjustment, cleaning and maintenance work on the device.

Be sure to disconnect the tool from the power supply before attaching or removing the saw blade.

Remove dust regularly. Remove the sawdust which has accumulated inside the saw in order to avoid the risk of fire.

Replace the table insert when worn

Clean tool and guarding system with dry cloth.

The ventilation slots of the machine must be kept clear at all times.

Use only Milwaukee accessories and Milwaukee spare parts. Should components need to be replaced which have not been described, please contact one of our Milwaukee service agents (see our list of guarantee/service addresses).

If needed, an exploded view of the tool can be ordered. Please state the Article No. as well as the machine type printed on the label and order the drawing at your local service agents or directly at: Techtronic Industries GmbH, Max-Eyth-Strasse 10, 71364 Winnenden, Germany.

#### ONE-KEY™

To learn more about the ONE-KEY functionality of this device, please refer to the Quick Start guide included with this product or go to <http://www.milwaukeeeetool.com/one-key>

To download the ONE-KEY app, visit the App Store or Google Play from your smart device.

We considered the result to be within our minimum acceptable performance level according to EN 301 489-1/ EN 301 489-17. And we will give the operation guidance to the customer in user manual.

#### BATTERIES

Battery packs which have not been used for some time should be recharged before use.

Temperatures in excess of 50°C (122°F) reduce the performance of the battery pack. Avoid extended exposure to heat or sunshine (risk of overheating).

The contacts of chargers and battery packs must be kept clean.

For an optimum life-time, the battery packs have to be fully charged, after use. Battery packs which have not been used for some time should be recharged before use.

To obtain the longest possible battery life remove the battery pack from the charger once it is fully charged.

For battery pack storage longer than 30 days: Store the battery pack where the temperature is below 27°C and away from moisture. Store the battery packs in a 30% - 50% charged condition. Every six months of storage, charge the pack as normal.

Do not dispose of used battery packs in the household refuse or by burning them. Milwaukee Distributors offer to retrieve old batteries to protect our environment.

Do not store the battery pack together with metal objects (short circuit risk).

Battery acid may leak from damaged batteries under extreme load or extreme temperatures. In case of contact with battery acid wash it off immediately with soap and water. In case of eye contact rinse thoroughly for at least 10 minutes and immediately seek medical attention.

No metal parts must be allowed to enter the battery section of the charger (short circuit risk).

#### BATTERY PACK PROTECTION

In extremely high torque, binding, stalling and short circuit situations that cause high current draw, the tool will stop for about 2 seconds and then the tool will turn OFF. To reset, release the trigger. Under extreme circumstances, the internal temperature of the battery could become too high. If this happens, the battery will shut down. To reset, release the trigger. Under extreme circumstances, the internal temperature of the battery could become too high. If this happens, the battery will shut down. Place the battery on the charger to charge and reset it.

#### TRANSPORTING LITHIUM BATTERIES

Lithium-ion batteries are subject to the Dangerous Goods Legislation requirements.

Transportation of those batteries has to be done in accordance with local, national and international provisions and regulations.

The user can transport the batteries by road without further requirements.

Commercial transport of Lithium-Ion batteries by third parties is subject to Dangerous Goods regulations. Transport preparation and transport are exclusively to be carried out by appropriately trained persons and the process has to be accompanied by corresponding experts.

When transporting batteries:



Ensure that battery contact terminals are protected and insulated to prevent short circuit. Ensure that battery pack is secured against movement within packaging. Do not transport batteries that are cracked or leak. Check with forwarding company for further advice

### EC-DECLARATION OF CONFORMITY

We declare under our sole responsibility that the product described under "Technical Data" fulfills all the relevant provisions of the directives

2011/65/EU (RoHS)

2006/42/EC

2014/53/EU

and the following harmonized standards have been used.

EN 62841-1:2015

EN 62841-3-1:2014+AC:2015+A11:2017

EN 62479:2010

EN 55014-1:2017+A11:2020

EN 55014-2:2015

EN IEC 63000:2018

EN 301 489-1 V2.2.3

EN 301 489-17 V3.1.1

EN 300 328 V2.2.2



Winnenden, 2020-11-11

Alexander Krug / Managing Director  
Authorized to compile the technical file

Techtronic Industries GmbH  
Max-Eyth-Str.10, 71364 Winnenden, Germany

### GB-DECLARATION OF CONFORMITY

We declare as the manufacturer under our sole responsibility that the product described under „Technical Data“ fulfills all the relevant provisions of the following Regulations

S.I. 2012/3032 (as amended), S.I. 2008/1597 (as amended),

S.I. 2017/1206 (as amended) and that the following designated

standards have been used:

BS EN 62841-1:2015

BS EN 62841-3-1:2014+A11:2017

BS EN 62479:2010

BS EN 55014-1:2017+A11:2020

BS EN 55014-2:2015

BS EN IEC 63000:2018

EN 301 489-1 V2.2.3

EN 301 489-17 V3.1.1

EN 300 328 V2.2.2

Winnenden, 2020-11-11

Alexander Krug / Managing Director  
Authorized to compile the technical file

Techtronic Industries GmbH  
Max-Eyth-Str.10, 71364 Winnenden, Germany

### SYMBOLS



Please read the instructions carefully before starting the machine.



CAUTION! WARNING! DANGER!



Remove the battery pack before starting any work on the appliance.



Wear ear protectors!

Wear a suitable dust protection mask.



Always wear goggles when using the machine.



Wear gloves!



Always keep hands away from the path of the saw blade.



This tool is only suitable for indoor use. Never expose tool to rain.



Accessory - Not included in standard equipment, available as an accessory.



Featherboard and Push Blocks can be purchased from specialist dealers. Please only use high quality accessories.



Do not dispose electric tools, batteries/rechargeable batteries together with household waste material. Electric tools and batteries that have reached the end of their life must be collected separately and returned to an environmentally compatible recycling facility. Check with your local authority or retailer for recycling advice and collection point.

**n<sub>0</sub>**

No-load speed

**V**

Volts

**≡**

Direct Current

**CE**

European Conformity Mark

**UK  
CA**

British Conformity Mark

**Ukraine  
001**

Ukraine Conformity Mark

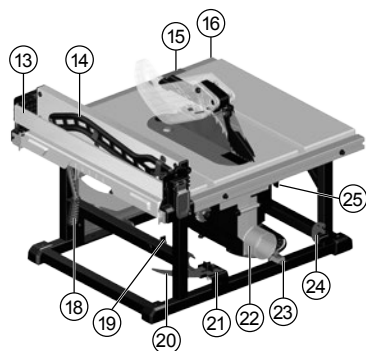
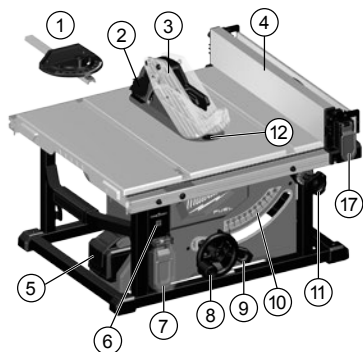
**EAC**

EurAsian Conformity Mark

| TECHNISCHE DATEN   |                                    | M18 FTS210                |
|--|------------------------------------|---------------------------|
| <b>Tischkreissäge</b>  |                                    |                           |
| Produktionsnummer  | 4609 60 02...<br>... 000001-999999 |                           |
| Spannung Wechselakku   | 18 V                               |                           |
| Leerlaufdrehzahl   | 6300 min <sup>-1</sup>             |                           |
| Frequenzband   | 2402-2480 MHz                      |                           |
| Sendeleistung  | 1,8 dBm                            |                           |
| Sägeblatt-Ø x Bohrungs-Ø   | 210 x 30 mm                        |                           |
| Stammblattstärken der Sägeblätter  | max. 1,55 mm                       |                           |
| Zahndicke  | min. 1,8 mm<br>max. 2,2 mm         |                           |
| Max Schnitttiefe bei 0 / 45°   | 63,5 / 44 mm                       |                           |
| Abstand zwischen Parallellanschlag und Sägeblatt max.  | Links<br>Rechts                    | 310 mm<br>525 mm / 622 mm |
| Gewicht nach EPTA-Prozedur 01/2014 (Li-Ion 2,0 Ah ... 12,0 Ah)   | 21,2 kg ... 22,3 kg                |                           |
| Empfohlene Umgebungstemperatur für den Betrieb   | -18°C ... +50°C                    |                           |
| Empfohlene Akku Typen  | M18B... / M18HB...                 |                           |
| Empfohlene Ladegeräte  | M12-18... / M1418 C6               |                           |
| <b>Geräuschinformation</b>   |                                    |                           |
| Messwerte ermittelt entsprechend EN 62841. Der A-bewertete Geräuschpegel des Gerätes beträgt typischerweise: |                                    |                           |
| Schalldruckpegel (Unsicherheit K=3dB(A))   | 92,37 dB(A)                        |                           |
| Schallleistungspegel (Unsicherheit K=3dB(A))   | 103,37 dB(A)                       |                           |
| <b>Geräuschschutz tragen!</b>  |                                    |                           |



D



#### Gerätebeschreibung

- ① Gehrungsanschlag
- ② Rückschlagsicherung
- ③ Spaltkeil mit Schutzabdeckung / Sägeblatt Schutzabdeckung
- ④ Parallellanschlag
- ⑤ Akku
- ⑥ ONE KEY Anzeige
- ⑦ Stromschalter / Schalterabdeckung
- ⑧ Höhenverstellungs Handrad
- ⑨ Neigungswinkel Festspannhebel
- ⑩ Neigungswinkel Skala
- ⑪ Parallellanschlag Einstellrad
- ⑫ Stichplatte / Stichplatte Sperre
- ⑬ Umklappbare Parallellanschlag Verlängerung
- ⑭ Schiebstock
- ⑮ Schnittskala Anzeige
- ⑯ Schnittskala
- ⑰ Parallelanschlag Verriegelungshebel
- ⑱ Sägeblatt Schraubenschlüssel Lagerung / Sägeblatt Schraubenschlüssel
- ⑳ Spaltkeil
- ㉑ Spaltkeil / Spaltkeil mit Schutzabdeckung Lagerung
- ㉒ Staubtrichter
- ㉓ Gehrungsanschlag Lagerung
- ㉔ Rückschlagsicherung Lagerung
- ㉕ Spaltkeil Entriegelungshebel

**⚠️ WARNUNG** Lesen Sie alle Sicherheitshinweise, Anweisungen, Bildierungen und technischen Daten, mit denen dieses Elektrowerkzeug versehen ist. Versäumnisse bei der Einhaltung der Sicherheitshinweise und Anweisungen können elektrischen Schlag, Brand und/oder schwere Verletzungen verursachen.  
**Bewahren Sie alle Sicherheitshinweise und Anweisungen für die Zukunft auf.**

## **⚠️ SICHERHEITSHINWEISE FÜR TISCHKREISSÄGEN**

### **1) Schutzabdeckungsbezogene Sicherheitshinweise**

- a) **Lassen Sie Schutzabdeckungen montiert. Schutzabdeckungen müssen in funktionsfähigem Zustand und richtig montiert sein.** Lockere, beschädigte oder nicht richtig funktionierende Schutzabdeckungen müssen repariert oder ersetzt werden.
- b) **Verwenden Sie für Trennschnitte stets die Sägeblatt-Schutzabdeckung, den Spaltkeil und die Rückschlagsicherung.** Für Trennschnitte, bei denen das Sägeblatt vollständig durch die Werkstückdicke sägt, verringern die Schutzabdeckung und andere Sicherheitseinrichtungen das Risiko von Verletzungen.
- c) **Befestigen Sie nach Fertigstellung von Arbeitsvorgängen (z. B. Falzen), bei denen das Entfernen von Schutzabdeckung, Spaltkeil und/oder Rückschlagsicherung erforderlich ist, unverzüglich wieder das Schutzsystem.** Die Schutzabdeckung, der Spaltkeil und die Rückschlagsicherung verringern das Risiko von Verletzungen.
- d) **Stellen Sie vor dem Einschalten des Elektrowerkzeugs sicher, dass das Sägeblatt nicht die Schutzabdeckung, den Spaltkeil oder das Werkstück berührt.** Versehentlicher Kontakt dieser Komponenten mit dem Sägeblatt kann zu einer gefährlichen Situation führen.
- e) **Justieren Sie den Spaltkeil gemäß der Beschreibung in dieser Betriebsanleitung.** Falsche Abstände, Position und Ausrichtung können der Grund dafür sein, dass der Spaltkeil einen Rückschlag nicht wirksam verhindert.
- f) **Damit der Spaltkeil und die Rückschlagsicherung funktionieren können, müssen sie auf das Werkstück einwirken.** Bei Schnitten in Werkstücke, die zu kurz sind, um den Spaltkeil und die Rückschlagsicherung in Eingriff kommen zu lassen, sind der Spaltkeil und die Rückschlagsicherung unwirksam. Unter diesen Bedingungen kann ein Rückschlag nicht durch den Spaltkeil und die Rückschlagsicherung verhindert werden.
- g) **Verwenden Sie das für den Spaltkeil passende Sägeblatt.** Damit der Spaltkeil richtig wirkt, muss der Sägeblattdurchmesser zu dem entsprechenden Spaltkeil passen, das Stammblatt des Sägeblatts dünner als der Spaltkeil sein und die Zahnbreite mehr als die Spaltkeildicke betragen.

### **2) Sicherheitshinweise für Sägeverfahren**

- a) **⚠️ GEFAHR:** Kommen Sie mit Ihren Fingern und Händen nicht in die Nähe des Sägeblatts oder in den Sägebereich. Ein Moment der Unachtsamkeit oder ein Ausrutschen könnte Ihre Hand zum Sägeblatt hin lenken und zu ernsthaften Verletzungen führen.
- b) **Führen Sie das Werkstück nur entgegen der Drehrichtung dem Sägeblatt zu.** Zuführen des Werkstücks in der gleichen Richtung wie die Drehrichtung des Sägeblatts oberhalb des

Tisches kann dazu führen, dass das Werkstück und Ihre Hand in das Sägeblatt gezogen werden.

- c) **Verwenden Sie bei Längsschnitten niemals den Gehrungsanschlag zur Zuführung des Werkstücks, und verwenden Sie bei Querschnitten mit dem Gehrungsanschlag niemals zusätzlich den Parallelanschlag zur Längeneinstellung.** Gleichzeitiges Führen des Werkstücks mit dem Parallelanschlag und dem Gehrungsanschlag erhöht die Wahrscheinlichkeit, dass das Sägeblatt klemmt und es zum Rückschlag kommt.
- d) **Üben Sie bei Längsschnitten die Zuführkraft auf das Werkstück immer zwischen Anschlagsschiene und Sägeblatt aus.** Verwenden Sie einen Schiebestock, wenn der Abstand zwischen Anschlagsschiene und Sägeblatt weniger als 150 mm, und einen Schiebepolke, wenn der Abstand weniger als 50 mm beträgt. Derartige Arbeitshilfsmittel sorgen dafür, dass Ihre Hand in sicherer Entfernung zum Sägeblatt bleibt.
- e) **Verwenden Sie nur den mitgelieferten Schiebestock des Herstellers oder einen, der anweisungsgemäß hergestellt ist.** Der Schiebestock sorgt für ausreichenden Abstand zwischen Hand und Sägeblatt.
- f) **Verwenden Sie niemals einen beschädigten oder angesägten Schiebestock.** Ein beschädigter Schiebestock kann brechen und dazu führen, dass Ihre Hand in das Sägeblatt gerät.
- g) **Arbeiten Sie nicht „freihändig“.** Verwenden Sie immer den Parallelanschlag oder den Gehrungsanschlag, um das Werkstück anzulegen und zu führen. „Freihändig“ bedeutet, das Werkstück statt mit Parallelanschlag oder Gehrungsanschlag mit den Händen zu stützen oder zu führen. Freihändiges Sägen führt zu Fehlausrichtung, Verklemmen und Rückschlag.
- h) **Greifen Sie nie um oder über ein sich drehendes Sägeblatt.** Das Greifen nach einem Werkstück kann zu unbeabsichtigter Berührung mit dem sich drehenden Sägeblatt führen.
- i) **Stützen Sie lange und/oder breite Werkstücke hinter und/oder seitlich des Sägetisches ab, so dass diese waagrecht bleiben.** Lange und/oder breite Werkstücke neigen dazu, am Rand des Sägetisches abzukippen; dies führt zum Verlust der Kontrolle, Verklemmen des Sägeblatts und Rückschlag.
- j) **Führen Sie das Werkstück gleichmäßig zu. Verbiegen oder verdrehen Sie das Werkstück nicht. Falls das Sägeblatt verklemt, schalten Sie das Elektrowerkzeug sofort aus, ziehen Sie den Netzstecker und beheben Sie die Ursache für das Verklemmen.** Das Verklemmen des Sägeblatts durch das Werkstück kann zu Rückschlag oder zum Blockieren des Motors führen.
- k) **Entfernen Sie abgesägtes Material nicht, während die Säge läuft.** Abgesägtes Material kann sich zwischen Sägeblatt und Anschlagsschiene oder in der Schutzabdeckung festsetzen und beim Entfernen Ihre Finger in das Sägeblatt ziehen. Schalten Sie die Säge aus und warten Sie, bis das Sägeblatt zum Stillstand gekommen ist, bevor Sie das Material entfernen.
- l) **Verwenden Sie für Längsschnitte an Werkstücken, die dünner als 2 mm sind, einen Zusatz-Parallelanschlag, der Kontakt mit der Tischoberfläche hat.** Dünne Werkstücke können sich unter dem Parallelanschlag verkeilen und zu Rückschlag führen.

### 3) Rückschlag – Ursachen und entsprechende Sicherheitshinweise

Ein Rückschlag ist die plötzliche Reaktion des Werkstücks infolge eines hakenden, klemmenden Sägeblattes oder eines bezogen auf das Sägeblatt schräg geführten Schnitts in das Werkstück oder wenn ein Teil des Werkstücks zwischen Sägeblatt und Parallelanschlag oder einem anderen feststehenden Objekt eingeklemmt wird.

In den meisten Fällen wird bei einem Rückschlag das Werkstück durch den hinteren Teil des Sägeblatts erfasst, vom Sägefisch angehoben und in Richtung des Bedieners geschleudert.

Ein Rückschlag ist die Folge eines falschen oder fehlerhaften Gebrauchs der Tischkreissäge. Er kann durch geeignete Vorsichtsmaßnahmen, wie nachfolgend beschrieben, verhindert werden.

- a) **Stellen Sie sich nie in direkte Linie mit dem Sägeblatt. Halten Sie sich immer auf der Seite zum Sägeblatt, auf der sich auch die Anschlagschiene befindet.** Bei einem Rückschlag kann das Werkstück mit hoher Geschwindigkeit auf Personen geschleudert werden, die vor und in einer Linie mit dem Sägeblatt stehen.
- b) **Greifen Sie niemals über oder hinter das Sägeblatt, um das Werkstück zu ziehen oder zu stützen.** Es kann zu unbeabsichtigter Berührung mit dem Sägeblatt kommen oder ein Rückschlag kann dazu führen, dass Ihre Finger in das Sägeblatt gezogen werden.
- c) **Halten und drücken Sie das Werkstück, welches abgesägt wird, niemals gegen das sich drehende Sägeblatt.** Drücken des Werkstücks, welches abgesägt wird, gegen das Sägeblatt führt zu Verklemmen und Rückschlag.
- d) **Richten Sie die Anschlagschiene parallel zum Sägeblatt aus.** Eine nicht ausgerichtete Anschlagschiene drückt das Werkstück gegen das Sägeblatt und erzeugt einen Rückschlag.
- e) **Verwenden Sie bei verdeckten Sägeschnitten (z. B. Falzen) einen Druckkamm, um das Werkstück gegen Tisch und Anschlagschiene zu führen.** Mit einem Druckkamm können Sie das Werkstück bei Rückschlag besser kontrollieren.
- f) **Seien Sie besonders vorsichtig beim Sägen in nicht einsehbare Bereiche zusammengebauter Werkstücke.** Das eintauchende Sägeblatt kann in Objekte sägen, die einen Rückschlag verursachen können.
- g) **Stützen Sie große Platten ab, um das Risiko eines Rückschlags durch ein klemmendes Sägeblatt zu vermindern.** Große Platten können sich unter ihrem Eigengewicht durchbiegen. Platten müssen überall dort abgestützt werden, wo sie die Tischoberfläche überragen.
- h) **Seien Sie besonders vorsichtig beim Sägen von Werkstücken, die verdreht, verknotet, verzogen sind oder nicht über eine gerade Kante verfügen, an der sie mit einem Gehrungsanschlag oder entlang einer Anschlagschiene geführt werden können.** Ein verzogenes, verknotetes oder verdrehtes Werkstück ist instabil und führt zur Fehlausrichtung der Schnittfuge mit dem Sägeblatt, Verklemmen und Rückschlag.
- i) **Sägen Sie niemals mehrere aufeinander oder hintereinander gestapelte Werkstücke.** Das Sägeblatt könnte ein oder mehrere Teile erfassen und einen Rückschlag verursachen.

- j) **Wenn Sie eine Säge, deren Sägeblatt im Werkstück steckt, wieder starten wollen, zentrieren Sie das Sägeblatt im Sägespalt so, dass die Sägezähne nicht im Werkstück verhakt sind.** Klemmt das Sägeblatt, kann es das Werkstück anheben und einen Rückschlag verursachen, wenn die Säge erneut gestartet wird.
- k) **Halten Sie Sägeblätter sauber, scharf und ausreichend geschränkt. Verwenden Sie niemals verzogene Sägeblätter oder Sägeblätter mit rissigen oder gebrochenen Zähnen.** Scharfe und richtig geschränkte Sägeblätter minimieren Klemmen, Blockieren und Rückschlag.

### 4) Sicherheitshinweise für die Bedienung von Tischkreissägen

- a) **Schalten Sie die Tischkreissäge aus und trennen Sie sie vom Akkupack, bevor Sie den Tischeinsatz entfernen, das Sägeblatt wechseln, Einstellungen an Spaltkeil, Rückschlagsicherung oder der Sägeblattschutzabdeckung vornehmen und wenn die Maschine unbeaufsichtigt gelassen wird.** Vorsichtsmaßnahmen dienen der Vermeidung von Unfällen.
- b) **Lassen Sie die Tischkreissäge nie unbeaufsichtigt laufen. Schalten Sie das Elektrowerkzeug aus und verlassen es nicht, bevor es vollständig zum Stillstand gekommen ist.** Eine unbeaufsichtigt laufende Säge stellt eine unkontrollierte Gefahr dar.
- c) **Stellen Sie die Tischkreissäge an einem Ort auf, der eben und gut beleuchtet ist und wo Sie sicher stehen und das Gleichgewicht halten können. Der Aufstellort muss genug Platz bieten, um die Größe Ihrer Werkstücke gut zu handhaben.** Unordnung, unbeleuchtete Arbeitsbereiche und unebene, rutschige Böden können zu Unfällen führen.
- d) **Entfernen Sie regelmäßig Sägespäne und Sägemehl unter dem Sägefisch und/oder von der Staubabsaugung.** Angesammeltes Sägemehl ist brennbar und kann sich selbst entzünden.
- e) **Sichern Sie die Tischkreissäge.** Eine nicht ordnungsgemäß gesicherte Tischkreissäge kann sich bewegen oder umkippen.
- f) **Entfernen Sie Einstellwerkzeuge, Holzreste usw. von der Tischkreissäge, bevor Sie diese einschalten.** Ablenkung oder mögliche Verklemmungen können gefährlich sein.
- g) **Verwenden Sie immer Sägeblätter in der richtigen Größe und mit passender Aufnahmebohrung (z. B. rautenförmig oder rund).** Sägeblätter, die nicht zu den Montageteilen der Säge passen, laufen unruhig und führen zum Verlust der Kontrolle.
- h) **Verwenden Sie niemals beschädigtes oder falsches Sägeblatt-Montagematerial, wie z. B. Flansche, Unterlegscheiben, Schrauben oder Muttern.** Dieses Sägeblatt-Montagematerial wurde speziell für Ihre Säge konstruiert, für sicheren Betrieb und optimale Leistung.
- i) **Stellen Sie sich nie auf die Tischkreissäge und benutzen Sie die Tischkreissäge nicht als Tritthocker.** Es können ernsthafte Verletzungen auftreten, wenn das Elektrowerkzeug umkippt oder wenn Sie versehentlich mit dem Sägeblatt in Kontakt kommen.
- j) **Stellen Sie sicher, dass das Sägeblatt in der richtigen Drehrichtung montiert ist. Verwenden Sie keine**



## Schleifscheiben oder Drahtbürsten mit der Tischkreissäge.

Unschonungsmäßige Montage des Sägeblattes oder die Benutzung von nicht empfohlenem Zubehör kann zu ernsthaften Verletzungen führen.

### Weitere Sicherheits- und Arbeitshinweise

Ausnutzen, Auskehlen, Auftrennen im Umschlagverfahren sowie Profillfräsen ist nicht erlaubt.

Tragen Sie Gehörschutz. Die Einwirkung von Lärm kann Gehörverlust bewirken.

Schutzausrüstung verwenden. Beim Arbeiten mit der Maschine stets Schutzbrille tragen. Schutzkleidung wie Staubschutzmaske, Schutzhandschuhe, festes und rutschsicheres Schuhwerk, Helm und Gehörschutz werden empfohlen.

Beim Arbeiten entstehender Staub ist oft gesundheitsschädlich und sollte nicht in den Körper gelangen. Staubabsaugung verwenden und zusätzlich geeignete Staubschutzmaske tragen. Abgelagerten Staub gründlich entfernen, z.B. Aufsaugen.

Sicherstellen, dass die Maschine stets einen sicheren Stand hat.

Es wird empfohlen, vor dem erstmaligen Gebrauch des Gerätes die Betriebsanleitung sorgfältig zu lesen und sich in die praktische Handhabung einweisen zu lassen.

Keine Sägeblätter benutzen die beschädigt oder verformt sind.

Nur ordnungsgemäß geschärfte Sägeblätter verwenden.

Verwenden Sie nur für die Holzbearbeitung vorgesehene Sägeblätter, die den Kenndaten in dieser Gebrauchsanleitung und der Norm EN 847-1 entsprechen.

Um die Geräuschentwicklung zu minimieren muss das Werkzeug geschärft sein und alle Elemente zur Lärminderung (Abdeckungen usw.) ordnungsgemäß eingestellt sein.

Es dürfen nur Werkzeuge verwendet werden, die EN 847-1 entsprechen.

Die Werkzeuge müssen in einem geeigneten Behältnis transportiert und aufbewahrt werden.

Ein für den zu schneidenden Werkstoff geeignetes Sägeblatt auswählen.

Die auf dem Sägeblatt angegebene Höchstdrehzahl ist einzuhalten.

Keine aus Schnellarbeitsstahl gefertigten Sägeblätter verwenden.

Keine Schleifscheiben einsetzen!

Entfernen Sie die Spannschlüssel. Überprüfen Sie vor dem Einschalten des Geräts stets, ob die Spannschlüssel entfernt wurden.

Fehler in der Maschine, einschließlich der Schutzeinrichtung oder der Sägeblätter, sind, so bald sie entdeckt werden, der für die Sicherheit verantwortlichen Person zu melden.

Nicht in den Gefahrenbereich der laufenden Maschine greifen.

Späne oder Splitter dürfen bei laufender Maschine nicht entfernt werden.

Die obere Schutzhaube darf nicht als Griff zum Transportieren benutzt werden!

Während des Transports der Maschine muss die obere Schutzhaube den oberen Teil des Sägeblattes abdecken.

Überprüfen Sie, ob die Parallelschnittführung parallel zum Sägeblatt ist.

Den Boden von Materialresten z.B. Späne und Sägereste freigehalten.

Trotz Einhaltung aller relevanter Bauvorschriften können beim Betreiben der Maschine noch Gefahren entstehen, z. B. durch: Wegfliegen von Werkstückteilen, Wegfliegen von Werkzeugteilen bei beschädigten Werkzeugen, Geräuschemission, Holzstaubemission.


Vor allen Arbeiten am Gerät den Wechselakku herausnehmen.

**WARNUNG!** Um die durch einen Kurzschluss verursachte Gefahr eines Brandes, von Verletzungen oder Produktbeschädigungen zu vermeiden, tauchen Sie das Werkzeug, den Wechselakku oder das Ladegerät nicht in Flüssigkeiten ein und sorgen Sie dafür, dass keine Flüssigkeiten in die Geräte und Akkus eindringen. Korrosierende oder leitfähige Flüssigkeiten, wie Salzwasser, bestimmte Chemikalien und Bleichmittel oder Produkte, die Bleichmittel enthalten, können einen Kurzschluss verursachen.

Wechselakkus des Systems M18 nur mit Ladegeräten des Systems M18 laden. Keine Akkus aus anderen Systemen laden.

Wechselakkus und Ladegeräte nicht öffnen und nur in trockenen Räumen lagern. Vor Nässe schützen.

### WARNUNG

 Dieses Gerät enthält eine Lithium Knopf-/Münzzellenbatterie. Eine neue oder gebrauchte Batterie kann schwere interne Verbrennungen verursachen und zum Tod in weniger als 2 Stunden führen, wenn sie verschluckt oder in den Körper gelangt. Sichern Sie immer den Batteriefachdeckel. Wenn er nicht sicher schließt, stoppen Sie das Gerät, entfernen Sie die Batterie und halten Sie sie von Kindern fern. Wenn Sie glauben, dass Batterien verschluckt oder in den Körper eingedrungen sind, suchen Sie sofortige ärztliche Hilfe auf.

### BESTIMMUNGSGEMÄSSE VERWENDUNG

Verwenden Sie Ihre Tischkreissäge nur zum Sägen von Holz und Holzprodukten.

Die Tischkreissäge niemals zum Schneiden anderer als in der Bedienungsanleitung angegebenen Werkstoffe verwenden.

Werkstücke mit rundem oder unregelmäßigem Querschnitt (z.B. Brennholz) dürfen nicht gesägt werden, da diese beim Sägen nicht sicher gehalten werden. Beim Hochkantsägen von flachen Werkstücken muss ein geeigneter Hilfsanschlag zur sicheren Führung verwendet werden.

Längsschnneiden, Querschnneiden, Gehrungssägen und Neigungschnitte unter Verwendung von max. einem montierten Sägeblatt.

### RESTRISIKEN

Selbst bei ordnungsgemäßem Gebrauch des Produkts lassen sich Restgefahren nicht vollständig ausschließen. Bei der Verwendung können folgende Risiken auftreten, weshalb der Bediener Folgendes beachten sollte:

- Um Gehörschäden zu vermeiden, ist die Expositionszeit zu beschränken und geeigneter Gehörschutz zu tragen.
- Der Bediener sollte Maßnahmen ergreifen, um die Auswirkungen der Vibrationen zu reduzieren und die Expositionszeit zu begrenzen.
- Es ist eine Atemschutzmaske zu tragen, um Gesundheitsrisiken zu vermeiden, die durch das Einatmen von Sägestaub entstehen können.

### WARTUNG

Vor allen Einstell-, Reinigungs- und Wartungsarbeiten am Gerät den Wechselakku herausnehmen.

Stellen Sie sicher, dass das Werkzeug von der Stromversorgung getrennt ist, bevor Sie das Sägeblatt anbringen oder abnehmen.

Entfernen Sie regelmäßig den Staub. Entfernen Sie die im Inneren der Säge angehäuften Sägespäne, um Brandrisiken zu vermeiden.

Abgenutzte Tischeinlage ersetzen.

Reinigen Sie Gerät und Schutzeinrichtung mit einem trockenen Tuch.

Stets die Lüftungsschlitze der Maschine sauber halten.

Nur Milwaukee Zubehör und Milwaukee Ersatzteile verwenden. Bauteile, deren Austausch nicht beschrieben wurde, bei einer Milwaukee Kundendienststelle auswechseln lassen (Broschüre Garantie/ Kundendienstadressen beachten).

Bei Bedarf kann eine Explosionszeichnung des Gerätes unter Angabe der Maschinen Type und der sechsstelligen Nummer auf dem Leistungsschild bei Ihrer Kundendienststelle oder direkt bei Techtronic Industries GmbH, Max-Eyth-Straße 10, 71364 Winnenden, Germany angefordert werden.

### ONE-KEY™

Um mehr über die ONE-KEY Funktionalität dieses Gerätes zu erfahren, lesen Sie die beiliegende Schnellstartanleitung oder besuchen Sie uns im Internet unter <http://www.milwaukeeool.com/one-key> Sie können die ONE-KEY App über den App Store oder Google Play auf Ihr Smartphone herunterladen.

Das Prüfergebnis erfüllt unsere Mindestanforderungen nach EN 301 489-1 / EN 301 489-17. Wir händigen dem Benutzer die Betriebsanweisungen in Form der Bedienungsanleitung aus.

### AKKUS

Längere Zeit nicht benutzte Wechselakkus vor Gebrauch nachladen. Eine Temperatur über 50°C vermindert die Leistung des Wechselakkus. Längere Erwärmung durch Sonne oder Heizung vermeiden.

Die Anschlusskontakte an Ladegerät und Wechselakku sauber halten.

Für eine optimale Lebensdauer müssen nach dem Gebrauch die Akkus voll geladen werden. Längere Zeit nicht benutzte Wechselakkus vor Gebrauch nachladen.

Für eine möglichst lange Lebensdauer sollten die Akkus nach dem Aufladen aus dem Ladegerät entfernt werden.

Bei Lagerung des Akkus länger als 30 Tage: Akku bei ca. 27°C und trocken lagern. Akku bei ca. 30%-50% des Ladezustandes lagern. Akku alle 6 Monate erneut aufladen.

Verbrauchte Wechselakkus nicht ins Feuer oder in den Hausmüll werfen. Milwaukee bietet eine umweltgerechte Alt-Wechselakku-Entsorgung an; bitte fragen Sie Ihren Fachhändler.

Wechselakkus nicht zusammen mit Metallgegenständen aufbewahren (Kurzschlussgefahr).

Unter extremer Belastung oder extremer Temperatur kann aus beschädigten Wechselakkus Batterieflüssigkeit auslaufen. Bei Berührung mit Batterieflüssigkeit sofort mit Wasser und Seife abwaschen. Bei Augenkontakt sofort mindestens 10 Minuten gründlich spülen und unverzüglich einen Arzt aufsuchen.

In den Wechselakku-Einschubschacht der Ladegeräte dürfen keine Metallteile gelangen (Kurzschlussgefahr).

### AKKUÜBERLASTSCHUTZ

Bei Überlastung des Akkus durch sehr hohen Stromverbrauch, z.B. extrem hohe Drehmomente, Verklemmen des Einsatzwerkzeuges, plötzlichem Stopp oder Kurzschluss, stoppt das Elektrowerkzeug 2 Sekunden lang und schaltet sich selbsttätig ab. Zum Wiedereinschalten, den Schalterdrücker loslassen und dann wieder einschalten. Unter extremen Belastungen kann sich der Akku stark erhitzen. In diesem Fall schaltet der Akku ab. Den Akku dann in das Ladegerät stecken um ihn wieder aufzuladen und zu aktivieren.

### TRANSPORT VON LITHIUM-IONEN-AKKUS

Lithium-Ionen-Akkus fallen unter die gesetzlichen Bestimmungen zum Gefahrguttransport.

Der Transport dieser Akkus muss unter Einhaltung der lokalen, nationalen und internationalen Vorschriften und Bestimmungen erfolgen.

Verbraucher dürfen diese Akkus ohne Weiteres auf der Straße transportieren.

Der kommerzielle Transport von Lithium-Ionen-Akkus durch Speditionsunternehmen unterliegt den Bestimmungen des Gefahrguttransports. Die Versandvorbereitungen und der Transport dürfen ausschließlich von entsprechend geschulten Personen durchgeführt werden. Der gesamte Prozess muss fachmännisch begleitet werden.

Folgende Punkte sind beim Transport von Akkus zu beachten:

Stellen Sie sicher, dass die Kontakte geschützt und isoliert sind, um Kurzschlüsse zu vermeiden. Achten Sie darauf, dass der Akkupack innerhalb der Verpackung nicht verrutschen kann. Beschädigte oder auslaufende Akkus dürfen nicht transportiert werden. Wenden Sie sich für weitere Hinweise an Ihr Speditionsunternehmen.

### CE-KONFORMITÄTSERKLÄRUNG

Wir erklären in alleiniger Verantwortung, dass das unter „Technische Daten“ beschriebene Produkt mit allen relevanten Vorschriften der Richtlinien

2011/65/EU (RoHS)

2006/42/EG

2014/53/EU

und den folgenden harmonisierten normativen Dokumenten übereinstimmt

EN 62841-1:2015

EN 62841-3-1:2014+AC:2015+A11:2017

EN 62479:2010

EN 55014-1:2017+A11:2020

EN 55014-2:2015

EN IEC 63000:2018

EN 301 489-1 V2.2.3

EN 301 489-17 V3.1.1

EN 300 328 V2.2.2



Winnenden, 2020-11-11

Alexander Krug / Managing Director

Bevollmächtigt die technischen Unterlagen zusammenzustellen.

Techtronic Industries GmbH

Max-Eyth-Straße 10, 71364 Winnenden, Germany



D

## SYMBOLS



Bitte lesen Sie die Gebrauchsanweisung vor Inbetriebnahme sorgfältig durch.



ACHTUNG! WARNUNG! GEFAHR!



Vor allen Arbeiten am Gerät den Wechselakku herausnehmen.



Gehörschutz tragen!



Geeignete Staubschutzmaske tragen.



Beim Arbeiten mit der Maschine stets Schutzbrille tragen.



Schutzhandschuhe tragen!



Niemals die Hände in den Bereich des Sägeblattes bringen.



Gerät ist nur zur Verwendung in Räumen geeignet, Gerät nicht dem Regen aussetzen.




Zubehör - Im Lieferumfang nicht enthalten, empfohlene Ergänzung aus dem Zubehörprogramm.



Elektrogeräte, Batterien/Akkus dürfen nicht zusammen mit dem Hausmüll entsorgt werden. Elektrische Geräte und Akkus sind getrennt zu sammeln und zur umweltgerechten Entsorgung bei einem Verwertungsbetrieb abzugeben. Erkundigen Sie sich bei den örtlichen Behörden oder bei Ihrem Fachhändler nach Recyclinghöfen und Sammelstellen.

**n<sub>0</sub>** Leerlaufdrehzahl

**V** Spannung

 Gleichstrom

 Europäisches Konformitätszeichen

 Britisches Konformitätszeichen

 Ukrainisches Konformitätszeichen

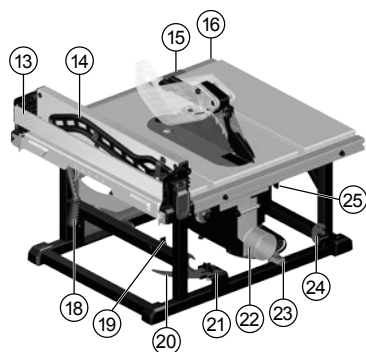
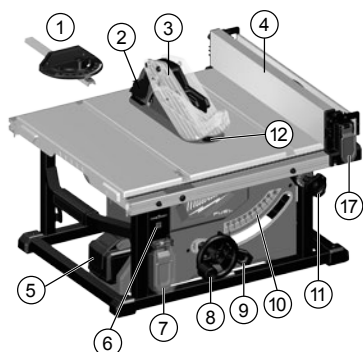
 Euroasiatisches Konformitätszeichen



| CARACTÉRISTIQUES TECHNIQUES  |                                    | M18 FTS210      |
|--|------------------------------------|-----------------|
| <b>Scie circulaire à table</b>   |                                    |                 |
| Numéro de série  | 4609 60 02...<br>... 000001-999999 |                 |
| Tension accu interchangeable   | 18 V                               |                 |
| Vitesse de rotation à vide   | 6300 min <sup>-1</sup>             |                 |
| Bande de fréquence   | 2402-2480 MHz                      |                 |
| Puissance de radiofréquence  | 1,8 dBm                            |                 |
| Ø de la lame de scie et de son alésage   | 210 x 30 mm                        |                 |
| Épaisseur de corps de la lame de scie  | max. 1,55 mm                       |                 |
| Épaisseur de dent  | min. 1,8 mm<br>max. 2,2 mm         |                 |
| Profondeur de coupe max. à 0 / 45°   | 63,5 / 44 mm                       |                 |
| Distance entre le guide longitudinal et la lame max.   | Gauche                             | 310 mm          |
|  | Droite                             | 525 mm / 622 mm |
| Poids suivant EPTA-Procédure 01/2014 (Li-Ion 2,0 Ah ... 12,0 Ah)   | 21,2 kg ... 22,3 kg                |                 |
| Température ambiante conseillée pour le fonctionnement   | -18°C ... +50°C                    |                 |
| Batteries conseillées  | M18B... / M18HB...                 |                 |
| Chargeurs conseillés   | M12-18... / M1418 C6               |                 |
| <b>Informations sur le bruit</b>   |                                    |                 |
| Valeurs de mesure obtenues conformément à la EN 62841. Les mesures réelles (des niveaux acoustiques de l'appareil sont : |                                    |                 |
| Niveau de pression acoustique (Incertitude K=3dB(A))   | 92,37 dB(A)                        |                 |
| Niveau d'intensité acoustique (Incertitude K=3dB(A))   | 103,37 dB(A)                       |                 |
| <b>Toujours porter une protection acoustique!</b>  |                                    |                 |



Fr



#### Description du dispositif

- ① Guide d'onglet
- ② Cliquets antiretour
- ③ Couteau diviseur avec protection / Protège-lame
- ④ Guide longitudinal
- ⑤ Batterie
- ⑥ Voyant CLÉ
- ⑦ Interrupteur / Capot de l'interrupteur
- ⑧ Manivelle de réglage en hauteur
- ⑨ Levier de verrouillage du biseau
- ⑩ Échelle de biseau
- ⑪ Molette de réglage du guide longitudinal
- ⑫ Plaque de lumière / Loquet de la plaque de lumière
- ⑬ Butée extensible
- ⑭ Bâton-poussoir
- ⑮ Échelle longitudinale indicateur
- ⑯ Échelle longitudinale
- ⑰ Loquets de guide
- ⑱ Verrouillage du guide
- ⑲ Rangement de la clé pour lame / Rangement de la clé
- ⑳ Couteau diviseur
- ㉑ Couteau diviseur / Couteau diviseur avec protection pour lame
- ㉒ Évacuation des copeaux
- ㉓ Guide d'onglet pour lame
- ㉔ Cliquets antiretour pour lame
- ㉕ Couteau diviseur levier de dégagement

**⚠** **AVERTISSEMENT** Lisez toutes les consignes de sécurité, instructions, présentations et données que vous recevez avec l'appareil. Le non-respect des avertissements et instructions indiqués ci après peut entraîner un choc électrique, un incendie et/ou de graves blessures sur les personnes.  
**Bien garder tous les avertissements et instructions.**

**⚠** **CONSIGNES DE SÉCURITÉ POUR LES SCIES CIRCULAIRES À TABLE**

**1) Avertissements liés aux protections**

a) **Maintenez les protections en place. Les protections doivent être opérationnelles et montées correctement.** Réparez ou remplacez une protection desserrée, endommagée ou n'assurant pas correctement son rôle.

b) **Utilisez toujours un protège-lame, un couteau diviseur et un dispositif antiretour lorsque vous découpez à travers toute l'épaisseur de la pièce, le protège-lame et les autres dispositifs de sécurité aident à réduire le risque de blessure.**

c) **Fixez à nouveau immédiatement le système de protection après avoir effectué une procédure (comme une feuillure) qui nécessite de retirer le protège-lame, le couteau diviseur et/ou le dispositif antiretour.** Le protège-lame, le couteau diviseur et le dispositif antiretour aident à réduire le risque de blessure.

d) **Assurez-vous que la lame ne touche pas le protège-lame, le couteau diviseur ou la pièce à découper avant d'allumer l'interrupteur.** Tout contact imprévu de ces éléments avec la lame peut provoquer une situation dangereuse.

e) **Régler le coin à refendre conformément à la description se trouvant dans les instructions d'utilisation.** Un espace-ment, un positionnement et un alignement incorrects peuvent réduire à néant l'effet antiretour du couteau diviseur.

f) **Pour fonctionner, le couteau diviseur et le dispositif antiretour doivent être en contact avec la pièce à découper.** Le couteau diviseur et le dispositif antiretour sont inefficaces, lorsque les pièces à découper sont trop courtes pour entrer en contact avec le couteau diviseur et le dispositif antiretour. Dans ces conditions, le couteau diviseur et le dispositif antiretour ne peuvent pas empêcher un retour de la pièce.

g) **Ajuster le coin à refendre approprié à la lame de scie montée.** Pour que le couteau diviseur fonctionne correctement, le diamètre de la lame doit correspondre au couteau diviseur approprié, le corps de la lame doit être moins épais que l'épaisseur du couteau diviseur et la largeur de coupe de la lame doit être plus large que l'épaisseur du couteau diviseur.

**2) Avertissements relatifs à la découpe**

a) **⚠ DANGER** Ne placez jamais vos doigts ou vos mains à proximité de la lame ou dans son alignement. Un moment d'inattention ou glisser pourrait entraîner votre main en direction de la lame, ce qui peut provoquer des blessures graves.

b) **Poussez la pièce à découper vers la lame uniquement dans la direction inverse de rotation.** Pousser sur la table la pièce à découper dans la même direction que le sens de rotation de la lame pourrait arracher la pièce à découper et entraîner votre main dans la lame.

c) **N'utilisez jamais le guide d'onglet pour pousser la pièce à découper lorsque vous faites une coupe longitudinale et n'utilisez pas le guide longitudinal comme butée longitudinale lorsque vous faites une coupe transversale avec le guide d'onglet.** Guider la pièce à découper avec le guide longitudinal et le guide d'onglet en même temps augmente le risque de retour et que la lame se coince.

d) **Lorsque vous faites une coupe longitudinale, poussez toujours la pièce à découper entre le guide longitudinal et la lame de coupe. Utilisez un bâton-poussoir lorsque la distance entre le guide longitudinal et la lame est inférieure à 150 mm et un bloc-poussoir lorsque la distance est inférieure à 50 mm.** Les dispositifs « auxiliaires » permettent de maintenir une distance de sécurité entre votre main et la lame.

e) **Utilisez uniquement le bâton-poussoir fourni par le fabricant ou construit en respectant les consignes.** Ce bâton-poussoir permet de maintenir une distance suffisante entre votre main et la lame.

f) **N'utilisez jamais un bâton-poussoir endommagé ou coupé.** Un bâton-poussoir endommagé peut casser, ce qui peut entraîner votre main vers la lame.

g) **Ne faites aucune découpe « à main levée ».** Utilisez toujours le guide longitudinal ou le guide d'onglet pour positionner et guider la pièce à découper. « À main levée » signifie que vous utilisez vos mains pour tenir ou guider la pièce à découper au lieu d'un guide longitudinal ou d'un guide d'onglet. Scier à main levée provoque un mauvais alignement, un retour ou un coincement de la lame.

h) **Ne saisissez jamais quelque chose à côté ou au-dessus d'une lame en rotation.** Saisir une pièce à découper peut s'accompagner d'un contact accidentel avec la lame en mouvement.

i) **Lorsque vous coupez des pièces longues et/ou larges, assurez-vous que la pièce à découper est suffisamment supportée à l'arrière et/ou sur les côtés de la table afin de rester de niveau.** Une pièce à découper longue et/ou large a tendance à pivoter sur le bord de la table ce qui s'accompagne d'une perte de contrôle, d'un retour et de la lame qui se coince.

j) **Poussez la pièce à découper à une vitesse régulière. Ne pliez pas ni ne tordez la pièce à découper. Si la lame se coince, éteignez immédiatement la scie, débranchez-la, puis libérez la lame.** Lorsque la pièce à découper bloque la lame, cela peut causer un retour ou faire caler le moteur.

k) **Ne retirez pas de morceaux de matériau découpé lorsque la scie fonctionne.** Ce matériau peut se prendre entre le guide ou dans le protège-lame et la lame peut entraîner vos doigts vers elle. Éteignez la scie et attendez que la lame se soit immobilisée avant de retirer le matériau.

l) **Utilisez un guide supplémentaire en contact avec le dessus de la table lorsque vous faites une coupe longitudinale dans des pièces de moins de 2 mm d'épaisseur.** Une pièce à découper de faible épaisseur peut glisser sous le guide longitudinal et provoquer un retour.

**3) Causes de contrecoups et comment les éviter:**

Un retour est une réaction soudaine de la pièce à découper causée lorsque la lame se coince ou est serrée ou lorsque la ligne de découpe dans la pièce n'est pas alignée avec la lame ou lorsqu'un



morceau de la pièce se prend entre la lame et le guide longitudinal ou tout autre objet fixe.

Généralement un retour se caractérise par le soulèvement de la pièce à découper de la table au niveau de l'arrière de la lame avant que la pièce ne soit propulsée en direction de l'opérateur.

Un contrecoup est la suite d'une mauvaise utilisation ou une utilisation incorrecte de la scie. Il peut être évité en prenant les mesures de précaution comme elles sont décrites ci-dessous.

a) **Ne vous placez jamais dans l'alignement de la lame. Positionnez toujours votre corps du côté du guide.** Un retour de la pièce à découper peut la propulser avec force vers toute personne se trouvant devant et dans l'alignement de la lame.

b) **Ne vous penchez jamais sur ou au-dessus de la lame pour tirer sur la pièce à découper ou la supporter.** Vous pourriez sinon toucher accidentellement la lame ou un retour pourrait entraîner vos doigts dans la lame.

c) **Ne pressez jamais la pièce en cours de découpe en la portant contre la lame en rotation.** Presser la pièce contre la lame en cours de découpe crée une situation propice à un coincement de la lame et à un retour.

d) **Alignez le guide afin qu'il soit parallèle à la lame.** Un guide mal aligné coince la pièce à découper contre la lame et provoque un retour.

e) **Utilisez un guide de pression pour guider la pièce à découper contre la table et le guide longitudinal lorsque vous ne faites pas de coupe à travers toute l'épaisseur comme une feuillure.**

Un guide de pression aide à contrôler la pièce à découper en cas de retour.

f) **Faites très attention lorsque vous coupez dans un secteur caché de pièces assemblées.** La lame saillante peut découper des objets qui peuvent provoquer un retour.

g) **Supporter les grands panneaux afin de réduire le risque de retour et que la lame coince.** Les grands panneaux ont tendance à s'affaisser sous leur propre poids. Un ou des supports doivent être placés sous toutes les parties du panneau qui débordent de la table.

h) **Faites très attention lorsque vous coupez une pièce qui est tordue, noueuse, déformée ou qui n'a pas de bord droit permettant de la guider avec un guide d'onglet ou le long du guide longitudinal.** Une pièce déformée, noueuse ou tordue est instable et peut provoquer un mauvais alignement de l'entaille avec la lame, un coincement et un retour.

i) **Ne découpez jamais plusieurs pièces à la fois que vous avez empilées ou placées les unes derrière les autres.** La lame pourrait entraîner une ou plusieurs pièces et provoquer un retour.

j) **Lorsque vous redémarrez la scie avec la lame placée déjà dans la pièce à découper, placez la lame au centre de l'entaille de manière à ce que les dents de la scie ne soient pas prises dans le matériau.** Si la lame est coincée, cela peut soulever la pièce à découper et provoquer un retour au démarrage de la scie.

k) **Gardez les lames propres, affûtées et bien réglées. N'utilisez jamais de lames tordues ou avec des dents fissurées ou cassées.** Une lame affûtée et réglée correctement réduit le risque de coincement, de calage de la scie et de retour.

#### 4) Avertissements relatifs à l'utilisation de la scie

a) **Éteignez la scie et débranchez le pack de batterie lorsque vous retirez le cache de la table, changez la lame ou réglez le couteau diviseur, le dispositif antiretour ou le protège-lame ou lorsque la machine est laissée sans surveillance.**

Prendre des mesures de sécurité permet d'éviter des accidents.

b) **Ne laissez jamais la scie circulaire fonctionner sans surveillance. Éteignez-la et restez à côté de l'outil jusqu'à ce que la lame soit complètement à l'arrêt.** Une scie fonctionnant sans surveillance est un risque incontrôlé.

c) **Placez la scie circulaire à un endroit bien éclairé et de niveau où vous pouvez vous tenir correctement sans perdre l'équilibre. Elle devrait être installée à un endroit permettant de manipuler facilement les dimensions de votre pièce à découper.** Les zones exiguës et sombres ainsi que les sols glissants et accidentés augmentent le risque d'accident.

d) **Nettoyez et retirez régulièrement les copeaux présents sous la scie circulaire et/ou dans le dispositif de collecte de copeaux.** Les copeaux accumulés sont combustibles et peuvent prendre feu spontanément.

e) **La scie circulaire doit être stable.** Une scie circulaire instable peut bouger ou se renverser.

f) **Enlevez tout outil, morceau de bois, etc. de la table avant d'allumer la scie.** Ne vous laissez pas distraire et faites attention au blocage potentiel de la lame, cela peut être dangereux.

g) **Utilisez toujours des lames ayant une taille et une forme (diamant ou arrondie) correspondant aux alésages centraux.** Les lames ne correspondant pas au dispositif de montage de la scie voleront en cours d'utilisation, ce qui provoque une perte de contrôle.

h) **N'utilisez jamais un dispositif de montage de lame endommagé ou incorrect comme des brides, des rondelles de lame, des boulons ou des écrous.** Ces dispositifs de montage ont été conçus spécialement pour votre scie, pour un fonctionnement en toute sécurité et des performances optimales.

i) **Ne montez jamais sur la table, ne l'utilisez pas comme escabeau.** Vous pouvez vous blesser gravement si l'outil se renverse ou si vous touchez accidentellement la lame.

j) **Assurez-vous que la lame est installée pour tourner dans la bonne direction. N'utilisez pas des meules, des brosses métalliques ou des meules abrasives sur une scie circulaire.** Une installation incorrecte de la lame ou une utilisation d'accessoires non recommandée peut provoquer des blessures graves.

#### Avis complémentaires de sécurité et de travail

Le rainurage, le rabotage, la refente et la découpe de modelage sont interdits.

Portez une protection acoustique. L'exposition au bruit pourrait provoquer une diminution de l'ouïe.

Utiliser l'équipement de protection. Toujours porter des lunettes de protection pendant le travail avec la machine. Il est recommandé de porter des articles de protection, tels que masque antipoussière, gants de protection, chaussures tenant bien aux pieds et antidérapantes, casque et protection acoustique.

Les poussières dégagées lors du travail sont souvent nocives et ne devraient pas pénétrer dans le corps. Utiliser un dispositif d'aspiration



de poussières et porter en plus un masque de protection approprié. Éliminer soigneusement les dépôts de poussières, p. ex. en les aspirant au moyen d'un système d'aspiration de copeaux.

S'assurer que la machine présente toujours une bonne stabilité.

Avant la première mise en marche de la machine, il est conseillé de lire avec soin les instructions d'utilisation et de se familiariser avec le maniement de la machine.

Ne pas utiliser de lames de scie qui sont endommagées ou déformées. Utiliser uniquement des lames de scie affûtées en bonne et due forme.

N'utilisez exclusivement que les lames pour le travail du bois spécifiées dans ce manuel, conformes à la norme EN 847-1.

Pour réduire le niveau de bruit, l'outil doit être aiguisé et tous les éléments servant à la réduction du bruit (capots, etc.) doivent être réglés correctement.

Employez exclusivement des outils conformes à NE 847-1.

Les outils doivent être transportés et conservés dans un récipient approprié.

Choisir une lame de scie qui convient au matériau à couper.

La vitesse de rotation maximale indiquée sur la lame de scie doit être respectée.

Ne pas utiliser de lame de scie fabriquées en acier à coupe rapide.

Ne pas utiliser de disques de meulage!

**RETIREZ LES CLÉS DE SERRAGE.** Prenez l'habitude de vérifier que les clés de serrage ont été retirées de l'outil avant de le mettre en marche.

Les défauts dans la machine, y compris le dispositif de protection ou les lames de scie, doivent être signalés à la personne responsable de la sécurité dès qu'ils sont constatés.

Ne jamais intervenir dans la zone dangereuse lorsque la machine est en marche.

Ne jamais enlever les copeaux ni les éclats lorsque la machine est en marche.

Le capot de protection supérieur ne doit pas être utilisé comme poignée de transport!

Pendant le transport de la machine, le capot de protection supérieur doit recouvrir la partie supérieure de la lame de scie.

Vérifiez que le guide de coupe parallèle est parallèle à la lame.

Veiller à ce que le fond reste exempt des restes de matériaux, par ex. des copeaux et des débris de sciage.

Certains risques restent inhérents à la conduite de la machine, malgré le respect de toutes les prescriptions de sécurité, comme par exemple :

projection de morceaux de pièce,  
projection de morceaux de pièce en cas d'outils endommagés,  
émission acoustique, émission de poussière de bois.


Avant tous travaux sur l'appareil retirer l'accu interchangeable.

**AVERTISSEMENT!** Pour réduire le risque d'incendie, de blessures corporelles et de dommages cau-sés par un court-circuit, ne jamais immerger l'outil, le bloc-piles ou le chargeur dans un liquide ou laisser couler un fluide à l'intérieur de celui-ci. Les fluides corrosifs ou conducteurs, tels que l'eau de mer, certains produits chim-iques industriels, les produits de blanchiment ou de blanchi-ment, etc., peuvent provoquer un court-circuit.

Ne charger les accus interchangeables du système M18 qu'avec le chargeur d'accus du système M18. Ne pas charger des accus d'autres systèmes.

Ne pas ouvrir les accus interchangeables et les chargeurs et ne les stocker que dans des locaux secs. Les protéger contre l'humidité.

## AVERTISSEMENT

 Cet appareil contient une pile bouton lithium / batterie au lithium. Une batterie neuve ou usagée peut causer de graves brûlures internes et entraîner la mort en moins de 2 heures en cas d'ingestion ou si elle pénètre dans le corps. Fixez toujours le couvercle sur le compartiment de la batterie. S'il ne se ferme pas hermétiquement, arrêtez l'appareil, retirez la batterie et gardez-la hors de la portée des enfants. Si vous pensez que quelqu'un a ingéré la batterie ou que la batterie a pénétré dans le corps, consultez immédiatement un médecin.

## UTILISATION CONFORME AUX PRESCRIPTIONS

N'utilisez la scie circulaire à table que pour scier du bois ou des produits en bois.

Ne jamais utiliser la scie circulaire à table pour sectionner des matériaux autres que ceux qui sont indiqués dans le mode d'emploi.

Il est interdit de scier des pièces à œuvrer dont la section transversale est ronde ou irrégulière (par ex. le bois de chauffe) car elles ne sont pas maintenues sûrement pendant le sciage. Il convient d'utiliser une butée auxiliaire appropriée pour assurer le guidage lors du sciage sur chant des pièces à œuvrer plates.

Coupe longitudinale, transversale, d'onglet et de biseau en utilisant une lame montée au maximum.

## RISQUES RÉSIDUELS

Même en cas d'utilisation correcte du produit il n'est pas possible d'exclure complètement des risques résiduels. Pendant l'utilisation les risques décrits ci-dessous pourront se présenter et par conséquent l'opérateur devra respecter les normes suivantes:

- Pour éviter des dangers à l'ouïe, limiter le temps d'exposition et utiliser une protection contre le bruit appropriée.
- L'utilisateur devra prendre des mesures appropriées en vue de limiter les effets des vibrations et limiter le temps d'exposition.
- Il faut utiliser une masque respiratoire pour éviter des dangers à la santé causés par l'inhalation des poussières de sciure.

## ENTRETIEN

Retirer le bloc-batterie avant de procéder à tout réglage, nettoyage et travail de maintenance sur l'appareil.

Assurez-vous de débrancher l'outil du secteur avant de monter ou de démonter la lame de scie.

Enlever régulièrement la poussière. Éliminez les sciures accumulées à l'intérieur de la scie afin d'éviter tout risque d'incendie.

Remplacer la garniture de table si elle est usée.

Nettoyer l'appareil et le dispositif de protection avec un chiffon sec.

Tenir toujours propres les orifices de ventilation de la machine.

Utiliser uniquement les accessoires Milwaukee et les pièces détachées Milwaukee. Faire remplacer les composants dont le remplacement n'a pas été décrit, par un des centres de service après-vente Milwaukee (observer la brochure avec les adresses de garantie et de service après-vente).

Si besoin est, une vue éclatée de l'appareil peut être fournie.

S'adresser, en indiquant bien le numéro porté sur la plaque signalétique, à votre station de service après-vente (voir liste jointe) ou directement à Techtronic Industries GmbH, Max-Eyth-Straße 10, 71364 Winnenden, Germany.

## ONE-KEY™

Pour en savoir plus sur la fonctionnalité ONE-KEY de cet appareil, lisez les instructions rapides ci-jointes ou rendez-nous visite sur Internet sur <http://www.milwaukeeool.com/one-key>

Vous pouvez télécharger l'appli ONE-KEY sur votre smartphone via l'App Store ou Google Play.

Le résultat d'essai répond à nos exigences min. suivant EN 301 489-1 / EN 301 489-17. De plus, nous donnerons le guide de fonctionnement au client dans le manuel de l'utilisateur.

## ACCUS

Recharger les accus avant utilisation après une longue période de non utilisation.

Une température supérieure à 50°C amoindrit la capacité des accus. Éviter les expositions prolongées au soleil ou au chauffage.

Tenir propres les contacts des accus et des chargeurs.

Pour une durée de vie optimale, les accus doivent être chargés à fond après l'utilisation. Recharger les accus avant utilisation après une longue période de non utilisation.

Pour une plus longue durée de vie, enlever les batteries du chargeur de batterie quand celles-ci seront chargées.

En cas d'entreposage de la batterie pour plus de 30 jours: Entreposer la batterie à 27°C environ dans un endroit sec. Entreposer la batterie avec une charge d'environ 30% - 50%. Recharger la batterie tous les 6 mois.

Ne pas jeter les accus interchangeable usés au feu ou avec les déchets ménagers. Milwaukee offre un système d'évacuation écologique des accus usés.

Ne pas conserver les accus interchangeable avec des objets métalliques (risque de court-circuit)

En cas de conditions ou températures extrêmes, du liquide caustique peut s'échapper d'un accu interchangeable endommagé. En cas de contact avec le liquide caustique de la batterie, laver immédiatement avec de l'eau et du savon. En cas de contact avec les yeux, rincer soigneusement avec de l'eau et consulter immédiatement un médecin.

Aucune pièce métallique ne doit pénétrer dans le logement d'accu du chargeur (risque de court-circuit)

## PROTECTION DE L'ACCU CONTRE LES SURCHARGES

Au cas de surcharge de la batterie à cause d'une consommation d'énergie électrique très élevée, par ex. en présence de valeurs de couple très élevées, blocage de l'outil, arrêt soudain ou court-circuit, l'outil électrique s'arrêtera pour 2 secondes et ensuite se désactivera automatiquement. Pour le ré-enclencher, relâcher le poussoir de l'interrupteur, puis enclencher à nouveau l'appareil. Il se peut que l'accu s'échauffe fortement s'il est soumis à des sollicitations extrêmes. Dans ce cas, il se déconnecte. Mettre alors l'accu en place dans le chargeur pour le recharger et l'activer.

## TRANSPORT DE BATTERIES LITHIUM-ION

Les batteries lithium-ion sont soumises aux dispositions législatives concernant le transport de produits dangereux.

Le transport de ces batteries devra s'effectuer dans le respect des dispositions et des normes locales, nationales et internationales.

Les utilisateurs peuvent transporter ces batteries sans restrictions.

Le transport commercial de batteries lithium-ion est réglé par les dispositions concernant le transport de produits dangereux. La préparation au transport et le transport devront être effectués uniquement par du personnel formé de façon adéquate. Tout le procédé devra être géré d'une manière professionnelle.

Durant le transport de batteries il faut respecter les consignes suivantes :

S'assurer que les contacts soient protégés et isolés en vue d'éviter des courts-circuits. S'assurer que le groupe de batteries ne puisse pas se déplacer à l'intérieur de son emballage. Des batteries endommagées ou des batteries perdant du liquide ne devront pas être transportées. Pour tout renseignement complémentaire veuillez vous adresser à votre transporteur professionnel.

## DÉCLARATION CE DE CONFORMITÉ

Nous déclarons, sous notre responsabilité exclusive, que le produit décrit ici dans les « Caractéristiques techniques » satisfait à toutes les dispositions pertinentes des directives

2011/65/UE (RoHS)

2006/42/CE

2014/53/UE

et que les normes harmonisées suivantes ont été appliquées.

EN 62841-1:2015

EN 62841-3-1:2014+AC:2015+A11:2017

EN 62479:2010

EN 55014-1:2017+A11:2020

EN 55014-2:2015

EN IEC 63000:2018

EN 301 489-1 V2.2.3

EN 301 489-17 V3.1.1

EN 300 328 V2.2.2



Winnenden, 2020-11-11

Alexander Krug / Managing Director

Autorisé à compiler la documentation technique.

Techtronic Industries GmbH

Max-Eyth-Straße 10, 71364 Winnenden, Germany



## SYMBOLES



Veillez lire avec soin le mode d'emploi avant la mise en service



ATTENTION! AVERTISSEMENT! DANGER!



Avant tous travaux sur l'appareil retirer l'accu interchangeable.



Toujours porter une protection acoustique!

Porter un masque de protection approprié contre les poussières.



Toujours porter des lunettes protectrices en travaillant avec la machine.



Porter des gants de protection!



Ne jamais mettre les mains dans la zone de la lame de scie.



Appareil à utiliser uniquement dans un local, à ne jamais l'exposer à la pluie.



Accessoires - Ces pièces ne font pas partie de la livraison. Il s'agit là de compléments recommandés pour votre machine et énumérés dans le catalogue des accessoires.



Vous pouvez acheter un guide de pression et des blocs-poussoirs auprès de revendeurs spécialisés. Veuillez n'acheter que des accessoires d'excellente qualité.



Les dispositifs électriques, les batteries et les batteries rechargeables ne sont pas à éliminer dans les déchets ménagers. Les dispositifs électriques et les batteries sont à collecter séparément et à remettre à un centre de recyclage en vue de leur élimination dans le respect de l'environnement. S'adresser aux autorités locales ou au détaillant spécialisé en vue de connaître l'emplacement des centres de recyclage et des points de collecte.

**n<sub>0</sub>**

Vitesse de rotation à vide

**V**

Tension (V c.a.)



Courant continu



Marque de conformité européenne



Marque de conformité britannique

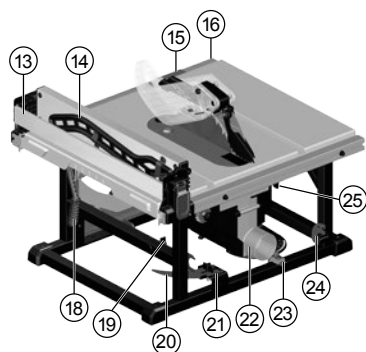
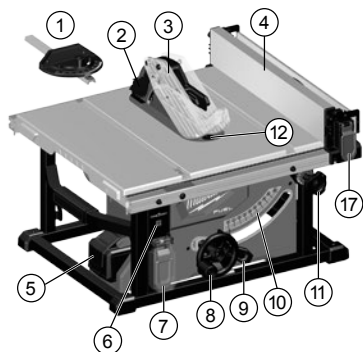


Marque de conformité ukrainienne



Marque de conformité d'Eurasie

| DATI TECNICI  |                                    | M18 FTS210                |
|---|------------------------------------|---------------------------|
| <b>Sega circolare da banco</b>  |                                    |                           |
| Numero di serie   | 4609 60 02...<br>... 000001-999999 |                           |
| Tensione batteria   | 18 V                               |                           |
| Numero di giri a vuoto  | 6300 min <sup>-1</sup>             |                           |
| Banda di frequenza  | 2402-2480 MHz                      |                           |
| Potenza a radiofrequenza  | 1,8 dBm                            |                           |
| Diametro lama x foro lama   | 210 x 30 mm                        |                           |
| Spessore corpo lama della sega  | max. 1,55 mm                       |                           |
| Spessore del dente  | min. 1,8 mm<br>max. 2,2 mm         |                           |
| Profondità di taglio max. a 0 / 45°   | 63,5 / 44 mm                       |                           |
| Distanza tra la guida parallela e la lama della sega max.   | Sinistra<br>Destra                 | 310 mm<br>525 mm / 622 mm |
| Peso secondo la procedura EPTA 01/2014 (Li-Ion 2,0 Ah ... 12,0 Ah)  | 21,2 kg ... 22,3 kg                |                           |
| Temperatura ambiente consigliata per il funzionamento   | -18°C ... +50°C                    |                           |
| Batterie consigliate  | M18B... / M18HB...                 |                           |
| Caricatori consigliati  | M12-18... / M1418 C6               |                           |
| <b>Informazioni sulla rumorosità</b>  |                                    |                           |
| Valori misurati conformemente alla norma EN 62841. La misurazione A del livello di pressione acustica dell'utensile è di solito di: |                                    |                           |
| Livello di rumorosità (Incertezza della misura K=3dB(A))  | 92,37 dB(A)                        |                           |
| Potenza della rumorosità (Incertezza della misura K=3dB(A))   | 103,37 dB(A)                       |                           |
| <b>Utilizzare le protezioni per l'udito!</b>  |                                    |                           |



### Descrizione del dispositivo

- ① Misuratore del taglio obliquo
- ② Nottolini anti-contraccolpo
- ③ Cuneo separatore con protezione / Protezione della lama
- ④ Guida parallela
- ⑤ Batteria
- ⑥ Indicatore ONE KEY
- ⑦ Interruttore di alimentazione / Coperchio dell'interruttore
- ⑧ Volantino per la regolazione dell'altezza
- ⑨ Leva di blocco della ruota
- ⑩ Scala della ruota
- ⑪ Disco per la regolazione della guida
- ⑫ Placca ago / Nottolino della placca ago
- ⑬ Guida di estensione
- ⑭ Barra di appoggio
- ⑮ Indicatore della scala parallela
- ⑯ Indicatore della scala
- ⑰ Chiavistelli della guida
- ⑱ Blocco della guida
- ⑲ Scomparto chiave per lama / Scomparto chiave
- ⑳ Cuneo separatore
- ㉑ Cuneo separatore / Cuneo separatore con protezione per lama
- ㉒ Canale di scolo della polvere
- ㉓ Misuratore del taglio obliquo per lama
- ㉔ Nottolini anti-contraccolpo per lama
- ㉕ Cuneo separatore leva di rilascio

**⚠** **AVVERTENZA** Leggere tutte le avvertenze di sicurezza, le istruzioni, le illustrazioni e i dati forniti a corredo dell'apparecchio. In caso di mancato rispetto delle avvertenze di pericolo e delle istruzioni operative si potrà creare il pericolo di scosse elettriche, incendi e/o incidenti gravi.  
**Conservare tutte le avvertenze di pericolo e le istruzioni operative per ogni esigenza futura.**

## **⚠** ISTRUZIONI DI SICUREZZA PER SEGHE DA BANCO

### 1) Avvertenze relative al sistema di protezione

a) **Tenere le protezioni in posizione. Le protezioni devono essere in stato di funzionamento e devono essere montate correttamente.** Una protezione allentata, danneggiata o che non funziona correttamente deve essere riparata o sostituita.

b) **Utilizzare sempre la protezione della lama della sega, il cuneo separatore e il dispositivo anti-contraccolpo per ogni operazione di taglio.** Per le operazioni di taglio in cui la lama della sega esegue il taglio completamente attraverso lo spessore del pezzo da lavorare, la protezione e gli altri dispositivi di sicurezza aiutano a ridurre il rischio di lesioni.

c) **Riattaccare immediatamente il sistema di protezione dopo aver completato un'operazione (come l'esecuzione di scanalature) che richiede la rimozione della protezione, del cuneo separatore e/o del dispositivo anti-contraccolpo.** La protezione, il cuneo separatore e il dispositivo anti-contraccolpo aiutano a ridurre il rischio di lesioni.

d) **Assicurarsi che la lama della sega non entri a contatto con la protezione, con il cuneo separatore o con il pezzo da lavorare prima che l'interruttore sia attivato.** Il contatto accidentale di questi oggetti con la lama della sega potrebbe causare una condizione potenzialmente pericolosa.

e) **Regolare il cuneo separatore operando secondo le descrizioni contenute nel Manuale delle istruzioni per l'uso.** La spaziatura, il posizionamento e l'allineamento non corretti possono rendere inefficace il cuneo separatore nel ridurre la probabilità di contraccolpi.

f) **Affinché il cuneo separatore e il dispositivo anti-contraccolpo funzionino, devono essere innestati nel pezzo in lavorazione.** Il cuneo separatore e il dispositivo anti-contraccolpo sono inefficaci quando si tagliano pezzi troppo corti da essere utilizzati con il cuneo separatore e il dispositivo anti-contraccolpo. In tali circostanze, il cuneo separatore e il dispositivo anti-contraccolpo non possono prevenire contraccolpi.

g) **Utilizzare un cuneo separatore che sia adatto alla lama di taglio impiegata.** Affinché il cuneo separatore funzioni correttamente, il diametro della lama della sega deve combaciare e coincidere con il cuneo separatore appropriato e il corpo della lama deve essere più sottile rispetto allo spessore del cuneo separatore. Inoltre, lo spessore di taglio della lama della sega deve essere più ampio rispetto allo spessore del cuneo separatore.

### 2) Avvertenze per le procedure di taglio

a) **⚠ PERICOLO: Non mettere mai le dita o le mani in prossimità o lungo la lama della sega.** Un momento di distensione o uno slittamento potrebbero condurre la mano verso la lama della sega, causando lesioni gravi.

b) **Far avanzare il pezzo da lavorare nella lama della sega solo in senso opposto alla direzione di rotazione.** Avanzare il pezzo da lavorare nella stessa direzione in cui ruota la lama della sega sopra al tavolo potrebbe trascinare il pezzo in lavorazione, e la mano dell'utente, direttamente nella lama.

c) **Non usare mai il misuratore del taglio obliquo per far avanzare il pezzo da lavorare durante il rippaggio e non usare la guida parallela come blocco di lunghezza quando si eseguono tagli trasversali con il misuratore del taglio obliquo.** Guidare il pezzo da lavorare con la guida parallela e il misuratore del taglio obliquo allo stesso tempo aumenta le probabilità di inceppamento e contraccolpi della lama della sega.

d) **Durante il rippaggio, applicare sempre il pezzo da lavorare facendo forza tra la guida del pezzo e la lama della sega. Utilizzare una barra di appoggio se la distanza tra la guida del pezzo e la lama della sega è inferiore a 150 mm e utilizzare un blocco di appoggio quando questa distanza è inferiore a 50 mm.** I dispositivi di "ausilio" terranno la mano dell'utente a una distanza sicura dalla lama.

e) **Utilizzare solo la barra di appoggio fornita dal produttore o costruita secondo le istruzioni.** La barra di appoggio fornisce una distanza sufficiente della mano dalla lama della sega.

f) **Non utilizzare mai una barra di appoggio danneggiata o tagliata.** Una barra di appoggio danneggiata potrebbe rompersi facendo scivolare la mano nella lama della sega.

g) **Non eseguire operazioni "a mano libera". Utilizzare sempre la guida parallela o il misuratore del taglio obliquo per posizionare e guidare il pezzo da lavorare.** Per "a mano libero" si intende l'utilizzo delle mani, al posto della guida parallela o del misuratore del taglio obliquo, per sostenere o guidare il pezzo da lavorare. Segare a mano libera provoca disallineamenti, inceppamenti e contraccolpi.

h) **Non mettere mai le mani intorno o sopra a una lama della sega rotante.** Tentare di prendere un pezzo da lavorare potrebbe causare un contatto accidentale con la lama della sega in movimento.

i) **Utilizzare un supporto ausiliario del pezzo da lavorare nella parte posteriore e/o ai lati del banco della sega per pezzi lunghi e/o larghi per tenerli dritti.** I pezzi da lavorare lunghi e/o larghi hanno la tendenza a ruotare sul bordo del tavolo causando perdita di controllo, inceppamenti e contraccolpi della lama della sega.

j) **Far avanzare il pezzo da lavorare a un ritmo uniforme. Non piegare né contorcere il pezzo da lavorare. Se avviene un inceppamento, spegnere immediatamente il dispositivo, scollegarlo e rimuovere l'inceppamento.** Gli inceppamenti della lama della sega causati dal pezzo in lavorazione possono provocare contraccolpi o l'arresto del motore.

k) **Non rimuovere i pezzi del materiale da taglio mentre la sega è in funzione.** Il materiale potrebbe incepparsi tra la guida del pezzo o l'interno della protezione della lama e la lama della sega trascinando le dita nella lama. Spegnerla la sega e attendere che la lama della sega si fermi prima di rimuovere il materiale.

l) **Usare una guida ausiliaria in contatto con la parte superiore del tavolo durante il taglio di pezzi con uno spessore inferiore ai 2 mm.** Un pezzo da lavorare sottile potrebbe incepparsi sotto la guida parallela causando un contraccolpo.



### 3) Possibile causa ed accorgimenti per impedire un contraccollo:

Il contraccollo è la reazione improvvisa del pezzo da lavorare dovuta a una lama compressa o inceppata o a una linea di taglio disallineata nel pezzo da lavorare rispetto alla lama della sega o quando una parte del pezzo da lavorare si inceppa tra la lama e la guida parallela dell'oggetto fissato.

In modo particolare durante un contraccollo, il pezzo in lavorazione si solleva dal tavolo dalla parte posteriore della lama della sega e viene scagliato verso l'operatore.

Un contraccollo è la conseguenza di un utilizzo non appropriato oppure non corretto della sega. Esso può essere evitato soltanto prendendo misure adeguate di sicurezza come dalla descrizione che segue.

- a) **Non stare mai direttamente lungo la lama della sega. Posizionare il corpo sempre sullo stesso lato della lama della sega come la guida.** Un contraccollo potrebbe scagliare il pezzo da lavorare a velocità elevata verso chiunque si trovi davanti o in linea con la lama della sega.
- b) **Non allungarsi sopra o verso il retro della lama della sega per tirare o supportare il pezzo da lavorare.** In caso contrario, potrebbe avvenire un contatto accidentale con la lama della sega o il contraccollo potrebbe trascinare le dita nella lama della sega.
- c) **Non tenere premuto il pezzo da tagliare contro la lama della sega rotante.** Premere il pezzo da tagliare contro la lama della sega potrebbe causare inceppamenti o contraccolpi.
- d) **Allineare la guida del pezzo affinché sia parallela con la lama della sega.** Una guida disallineata comprime il pezzo in lavorazione contro la lama della sega, creando contraccolpi.
- e) **Utilizzare una guida di pressione per guidare il pezzo da lavorare contro il tavolo e la guida quando si eseguono tagli non trasversali come l'esecuzione di scanalature.** Una guida di pressione aiuta a controllare il pezzo da lavorare in caso di contraccolpi.
- f) **Prestare particolare attenzione quando si eseguono tagli in punti ciechi dei pezzi da lavorare assemblati.** La lama della sega sporgente potrebbe tagliare oggetti che possono causare contraccolpi.
- g) **Supportare i pannelli di grandi dimensioni per ridurre al minimo il rischio di inceppamenti e contraccolpi della lama della sega.** I pannelli di grandi dimensioni tendono a piegarsi sotto il proprio peso. I supporti devono essere posizionati sotto a tutte le parti del pannello sovrastanti la parte superiore del tavolo.
- h) **Prestare particolare attenzione durante il taglio di pezzi da lavorare ricurvi, annodati, deformati o che non hanno bordi dritti per guidarli con un misuratore del taglio obliquo o lungo la guida del pezzo.** Un pezzo da lavorare deformato, annodato o ricurvo è instabile e causa il disallineamento dell'intaccatura con la lama della sega, nonché inceppamenti e contraccolpi.
- i) **Non tagliare mai più di un pezzo da lavorare impilato verticalmente od orizzontalmente.** La lama della sega potrebbe sollevare uno o più pezzi causando contraccolpi.
- j) **Quando si riavvia la sega con la lama nel pezzo in lavorazione, centrare la lama nell'intaccatura in modo che i denti della sega non siano inseriti nel materiale.** Se la lama della

sega si inceppa, potrebbe sollevare il pezzo in lavorazione e causare contraccolpi quando la sega viene riavviata.

k) **Tenere le lame della sega pulite, affilate e sufficientemente regolate. Non utilizzare mai lame deformate o lame con denti incrinati o rotti.** Le lame affilate e ben regolate riducono al minimo il rischio di inceppamenti, arresti e contraccolpi.

### 4) Avvertenze sulla procedura operativa della sega da banco

- a) **Spegnere la sega da banco e disconnettere il pacco batteria quando si intende rimuovere l'insero della lama, sostituire la lama della sega o effettuare aggiustamenti al cuneo separatore, al dispositivo anti-contraccollo o alla protezione della lama e quando la macchina è lasciata incustodita.** Le misure precauzionali consentiranno di evitare incidenti.
- b) **Non lasciare mai incustodita la sega da banco mentre è in funzione. Spegnerla e non lasciarla incustodita fino al completo arresto.** Una sega in funzione lasciata incustodita costituisce un pericolo incontrollato.
- c) **Posizionare la sega da banco su un'area piana e ben illuminata per assicurare una posizione salda e un buon equilibrio. La sega deve essere installata in un'area con uno spazio sufficiente adatto alle dimensioni del pezzo da lavorare.** Spazi ridotti e non illuminati o pavimenti scivolosi possono essere causa di incidenti.
- d) **Pulire frequentemente e rimuovere la segatura da sotto il tavolo della sega e/o il dispositivo di raccoglimento della polvere.** La segatura accumulata è infiammabile e può anche prendere fuoco da sola.
- e) **La sega da banco deve essere fissata.** Una sega da banco non fissata correttamente potrebbe muoversi o ribaltarsi.
- f) **Rimuovere utensili, scarti di legno, ecc. dal tavolo prima di accendere la sega da banco.** Una distrazione o un potenziale inceppamento possono essere pericolosi.
- g) **Usare sempre lame della sega con fori delle dimensioni e della forma (a rombo vs. circolare) corrette.** Le lame che non combaciano con gli accessori di montaggio della sega ruoteranno decentrate causando una perdita di controllo.
- h) **Non utilizzare mai mezzi di montaggio delle lame danneggiati o inappropriati come flange, rondelle, bulloni e dadi.** Questi mezzi di montaggio sono stati progettati in modo specifico per questa sega, per garantire un funzionamento sicuro e delle prestazioni ottimali.
- i) **Non salire mai in piedi sulla sega da banco e non usarla come sgabello.** Se l'utensile è appuntito o se il dispositivo da taglio viene toccato accidentalmente, sussiste il rischio di lesioni gravi.
- j) **Assicurarsi che la lama della sega sia installata per ruotare nella direzione corretta. Non utilizzare mole, spazzole metalliche o spazzole abrasive su una sega da banco.** L'installazione impropria della lama della sega o l'uso di accessori non raccomandati può causare lesioni gravi.



## Ulteriori avvisi di sicurezza e di lavoro

È proibito l'intaglio, la piallatura, la risegatura e il taglio di formatura.

Indossare protezioni acustiche adeguate. L'esposizione al rumore potrebbe comportare una riduzione dell'udito.

Usare dispositivi di protezione. Durante il lavoro con la macchina bisogna sempre portare occhiali di protezione. Si consiglia di indossare indumenti di protezione come maschera antipolvere, guanti di protezione, scarpe antiscivolo robuste, casco e cuffie di protezione acustica.

La polvere provocata durante la lavorazione con questo utensile può essere dannosa alla salute e per questo motivo non devono entrare in contatto con il corpo. Usare un sistema d'aspirazione polvere e indossare una maschera di protezione dalla polvere. Rimuovere i depositi di polvere, per esempio con un aspiratore.

Accertarsi che la macchina sia sempre stabile.

Vi consigliamo caldamente di leggere attentamente le istruzioni per l'uso prima di utilizzare l'apparecchio, solo in questo modo potrete infatti servirvene al meglio.

Non usare lame danneggiate o deformate.

Usare solo lame di sega debitamente affilate.

Usare solo lame per lavorazione del legno specificate in questo manuale, che sono conformi a EN 847-1.

Per ridurre al minimo la rumorosità, affilare l'utensile, regolando tutti gli elementi in modo tale da ridurre la rumorosità (fi ssare coperture, ecc.).

È consentito esclusivamente l'uso di utensili che corrispondono ai requisiti della norma EN 847-1.

Gli utensili devono essere trasportati e conservati in un contenitore adatto;

Scegliere una lama di sega adatta al materiale da tagliare.

Il numero massimo di giri indicato sulla lama della sega deve essere rispettato.

Non utilizzare lame di sega fatte in acciaio rapido.

Per favore non utilizzare dischi abrasivi

**TOGLIERE LE CHIAVI DI SERRAGGIO.** Prima dell'avvio dell'apparecchio, fare sempre attenzione a verificare che non sia rimasta inserita alcuna chiave di serraggio.

Guasti della macchina, inclusi quelli del dispositivo di protezione o delle lame della sega, devono essere segnalati alla persona responsabile della sicurezza, non appena vengono individuati.

Non entrare nel raggio d'azione dell'utensile mentre è in funzione.

Non rimuovere trucioli o schegge mentre l'utensile è in funzione.

La calotta protettiva superiore non deve essere utilizzata come impugnatura per il trasporto!

Durante il trasporto della macchina, la calotta protettiva superiore deve coprire la parte superiore della lama.

Verificare che la guida di taglio parallela sia parallela alla lama.

Tenere il pavimento libero da residui di materiali, ad es. trucioli e residui di taglio.

Nonostante siano state rispettate tutte le principali prescrizioni costruttive, è possibile che durante l'utilizzo della macchina esistano ancora dei pericoli, come ad esempio:

possono volar via parti del pezzo in lavorazione, possono volar via parti del pezzo in lavorazione a causa di un utensile danneggiato, emissioni acustiche, emissione di polvere di legno.

Prima di iniziare togliere la batteria dalla apparecchiatura.

**AVVERTENZA!** Per ridurre il rischio d'incendio, di lesioni o di danni al prodotto causati da corto circuito, non immergere mai l'utensile, la

batteria ricaricabile o il carica batterie in un liquido e non lasciare mai penetrare alcun liquido all'interno dei dispositivi e delle batterie. I fluidi corrosivi o conduttori come acqua salata, alcuni agenti chimici, agenti candeggianti o prodotti contenenti agenti candeggianti potrebbero provocare un corto circuito.

Le batterie del System M18 sono ricaricabili esclusivamente con i caricatori del System M18. Le batterie di altri sistemi non possono essere ricaricate.

Non aprire né la batteria né il caricatore e conservarli solo in luogo asciutto. Proteggerli dalla umidità.

## AVVERTENZA



Questo dispositivo contiene una batteria a bottone al litio.

Una batteria nuova o usata può causare ustioni interne gravi e causare la morte in 2 ore se ingerita o se penetra nell'organismo. Assicurare sempre il coperchio sullo scomparto batterie. Se non si chiude saldamente, arrestare il dispositivo, rimuovere la batteria e tenerla lontano dalla portata dei bambini. Se credete che qualcuno abbia ingerito la batteria, o che la stessa sia entrata in altro modo nell'organismo di qualcuno, cercate immediatamente assistenza medica.

## UTILIZZO CONFORME

Utilizzare la sega circolare da banco soltanto per tagliare legno e prodotti di legno

Non utilizzare mai la sega circolare da banco per tagliare materiali diversi da quelli indicati nelle istruzioni per l'uso.

Non è ammessa segare pezzi a sezione rotonda o irregolare (ad es. legno da ardere) visto che non possono essere serrati in sicurezza durante la fase di segatura. Se si desiderano segare pezzi piani appoggiati sul loro lato stretto occorre utilizzare un'ideale battuta ausiliaria per una guida sicura.

Eseguire tagli paralleli, tagli trasversali, tagli obliqui e tagli inclinati utilizzando al massimo una lama montata.

## RISCHI RESIDUI

Anche in caso di uso corretto del prodotto non è possibile escludere del tutto i rischi residui. Durante l'uso possono presentarsi i seguenti rischi, per cui l'operatore dovrà rispettare quanto segue:

- Per evitare danni all'udito, limitare i tempi di esposizione e indossare idonea protezione dell'udito.

- L'utente deve prendere opportune misure per limitare gli effetti delle vibrazioni e limitare il tempo di esposizione.

- Occorre indossare una maschera respiratoria per evitare danni alla salute dovuti all'inalazione di polvere di segatura.

## MANUTENZIONE

Prima di eseguire qualsiasi operazione di regolazione, pulizia e manutenzione del dispositivo, rimuovere la batteria.

Assicurarsi di aver scollegato l'utensile dall'alimentazione prima di collegarlo o prima di rimuovere la lama.

Eliminare regolarmente la polvere. Eliminare i trucioli accumulati all'interno della sega, onde evitare pericoli d'incendio

Sostituire inserti da banco consumati.

Pulire l'apparecchio ed il dispositivo di protezione con un panno asciutto.

Tener sempre ben pulite le fessure di ventilazione dell'apparecchio.

Usare solo accessori Milwaukee e pezzi di ricambio Milwaukee. Gruppi costruttivi la cui sostituzione non è stata descritta, devono essere fatti cambiare da un punto di servizio di assistenza tecnica al cliente Milwaukee (vedi depliant garanzia/indirizzi assistenza tecnica ai clienti).

In caso di mancanza del disegno esploso, può essere richiesto al seguente indirizzo: Techtronic Industries GmbH, Max-Eyth-Straße 10, 71364 Winnenden, Germany.

### ONE-KEY™

Per saperne di più sulla funzionalità ONE-KEY che permette di comandare questo dispositivo con un solo comando, consultare la guida rapida inclusa in questo prodotto o andare su <http://www.milwaukeeetool.com/one-key>

È possibile scaricare sullo smartphone l'app ONE-KEY dall'App Store o da Google Play.

Il risultato di collaudo corrisponde ai nostri requisiti minimi secondo EN 301 489-1 / EN 301 489-17. Forniremo al cliente una guida al funzionamento nel manuale d'uso.

### BATTERIE

Batterie non utilizzate per molto tempo devono essere ricaricate prima dell'uso.

A temperature superiori ai 50°C, la potenza della batteria si riduce.

Evitare di esporre l'accumulatore a surriscaldamento prolungato, dovuto ad esempio ai raggi del sole o ad un impianto di riscaldamento.

Per una ottimale vita utile è necessario ricaricare completamente le batterie dopo l'uso. Batterie non utilizzate per molto tempo devono essere ricaricate prima dell'uso.

Per una più lunga durata, rimuovere le batterie dal caricabatterie quando saranno cariche.

In caso di immagazzinaggio della batteria per più di 30 giorni: Immagazzinare la batteria a circa 27°C in ambiente asciutto. Immagazzinare la batteria con carica di circa il 30% - 50%. Ricaricare la batteria ogni 6 mesi.

Non gettare le batterie esaurite sul fuoco o nella spazzatura di casa. La Milwaukee offre infatti un servizio di recupero batterie usate.

Nel vano d'innesto per la batteria del caricatore non devono entrare parti metalliche. (pericolo di cortocircuito).

Nel caso di batterie danneggiate da un carico eccessivo o da temperature alte, l'acido di queste potrebbe fuoriuscire. In caso di contatto con l'acido delle batterie lavarsi immediatamente con acqua e sapone. In caso di contatto con gli occhi risciacquare immediatamente con acqua per almeno 10 minuti e contattare subito un medico.

Non conservare le batterie con oggetti metallici (pericolo di cortocircuito).

### DISPOSITIVO ANTISOVRACCARICO ACCUMULATORE

In caso di sovraccarico della batteria a causa di consumo elettrico molto elevato, ad es. per valori di coppia molto elevati, inceppamento dell'utensile ad inserto, arresto improvviso o corto circuito, l'elettrodotensile si arresta per 2 secondi e si disattiva automaticamente. Per riaccenderlo rilasciare l'interruttore e poi riaccenderlo. Se sottoposto a carichi estremi, l'accumulatore può surriscaldarsi. In questo caso l'accumulatore si spegne. Inserire l'accumulatore nell'apparecchio carica-batterie per ricaricarlo e attivarlo.

### TRASPORTO DI BATTERIE AGLI IONI DI LITIO

Le batterie agli ioni di litio sono soggette alle disposizioni di legge sul trasporto di merce pericolosa.

Il trasporto di queste batterie deve avvenire rispettando le disposizioni e norme locali, nazionali ed internazionali.

Gli utilizzatori possono trasportare queste batterie su strada senza alcuna restrizione.

Il trasporto commerciale di batterie agli ioni di litio è regolato dalle disposizioni sul trasporto di merce pericolosa. Le preparazioni al trasporto ed il trasporto stesso devono essere svolti esclusivamente da persone idoneamente istruite. Tutto il processo deve essere gestito in maniera professionale.

Durante il trasporto di batterie occorre tenere conto di quanto segue:

Assicurarsi che i contatti siano protetti ed isolati per evitare cortocircuiti. Accertarsi che il gruppo di batterie non possa spostarsi all'interno dell'imballaggio. Batterie danneggiate o batterie che perdono liquido non devono essere trasportate. Per ulteriori informazioni si prega di contattare il proprio trasportatore.

### DICHIARAZIONE DI CONFORMITÀ CE

Assumendone la piena responsabilità, dichiariamo che il prodotto descritto nei "Dati tecnici" è conforme alle pertinenti disposizioni

delle direttive

2011/65/UE (RoHS)

2006/42/CE

2014/53/UE

e che sono state applicate le seguenti norme armonizzate

EN 62841-1:2015

EN 62841-3-1:2014+AC:2015+A11:2017

EN 62479:2010

EN 55014-1:2017+A11:2020

EN 55014-2:2015

EN IEC 63000:2018

EN 301 489-1 V2.2.3

EN 301 489-17 V3.1.1

EN 300 328 V2.2.2



Winnenden, 2020-11-11

Alexander Krug / Managing Director

Autorizzato alla preparazione della documentazione tecnica

Techtronic Industries GmbH

Max-Eyth-Straße 10, 71364 Winnenden, Germany



## SIMBOLI



Leggere attentamente le istruzioni per l'uso prima di mettere in funzione l'elettrotensile.



ATTENZIONE! AVVERTENZA! PERICOLO!



Prima di iniziare togliere la batteria dall'apparecchio.



Utilizzare le protezioni per l'udito!

Portare un'adeguata mascherina protettiva.



Durante l'uso dell'apparecchio utilizzare sempre gli occhiali di protezione.



Indossare guanti protettivi!



Tenere le mani sempre lontane dalla zona di lavoro della lama.



Apparecchio da utilizzare esclusivamente in luogo chiuso, e comunque non esposto a pioggia.



Accessorio - Non incluso nella dotazione standard, disponibile a parte come accessorio.



La guida di pressione e i blocchi di appoggio possono essere acquistati da rivenditori specializzati. Utilizzare solo accessori di alta qualità.



I dispositivi elettrici, le batterie e le batterie ricaricabili non devono essere smaltiti con i rifiuti domestici. I dispositivi elettrici e le batterie devono essere raccolti separatamente e devono essere conferiti ad un centro di riciclaggio per lo smaltimento rispettoso dell'ambiente. Chiedere alle autorità locali o al rivenditore specializzato dove si trovano i centri di riciclaggio e i punti di raccolta.

**n<sub>0</sub>** Numero di giri a vuoto

**V** Volt



Corrente continua



Marchio di conformità europeo



Marchio di conformità britannico



Marchio di conformità ucraino

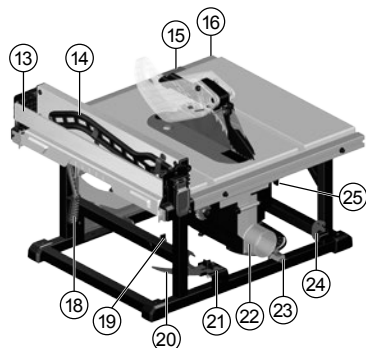
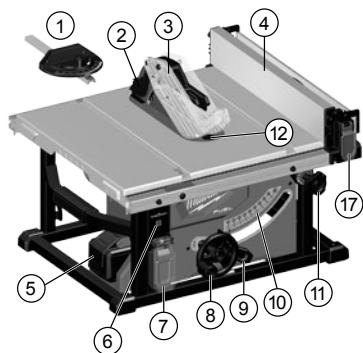


Marchio di conformità euroasiatico

| DATOS TÉCNICOS   |                                    | M18 FTS210                |
|--|------------------------------------|---------------------------|
| <b>Sierra circular de mesa</b>   |                                    |                           |
| Número de producción   | 4609 60 02...<br>... 000001-999999 |                           |
| Voltaje de batería   | 18 V                               |                           |
| Velocidad en vacío   | 6300 min <sup>-1</sup>             |                           |
| Banda de frecuencia  | 2402-2480 MHz                      |                           |
| Potencia de radiofrecuencia  | 1,8 dBm                            |                           |
| Disco de sierra - Ø x orificio Ø   | 210 x 30 mm                        |                           |
| Grosor del cuerpo de la hoja de sierra   | máx. 1,55 mm                       |                           |
| Grosor del diente  | mín. 1,8 mm<br>máx. 2,2 mm         |                           |
| Profundidad de corte máxima a. 0 / 45°   | 63,5 / 44 mm                       |                           |
| Distancia entre el tope-guía paralelo y la hoja de sierra máx.   | Izquierda<br>Derecha               | 310 mm<br>525 mm / 622 mm |
| Peso de acuerdo con el procedimiento EPTA 01/2014 (Li-Ion 2,0 Ah ... 12,0 Ah)  | 21,2 kg ... 22,3 kg                |                           |
| Temperatura ambiente recomendada para la operación   | -18°C ... +50°C                    |                           |
| Juegos de baterías recomendados  | M18B... / M18HB...                 |                           |
| Cargadores recomendados  | M12-18... / M1418 C6               |                           |
| <b>Información sobre ruidos</b>  |                                    |                           |
| Determinación de los valores de medición según norma EN 62841. El nivel de ruido típico del aparato determinado con un filtro A corresponde a: |                                    |                           |
| Presión acústica (Tolerancia K=3dB(A))   | 92,37 dB(A)                        |                           |
| Resonancia acústica (Tolerancia K=3dB(A))  | 103,37 dB(A)                       |                           |
| <b>Usar protectores auditivos!</b>   |                                    |                           |



E



### Descripción del dispositivo

- ① Guía de ingletes
- ② Trinquetes antirretroceso
- ③ Cuña de separación con protector / Protector de la hoja
- ④ Tope-guía paralelo
- ⑤ Batería
- ⑥ Indicador ONE KEY
- ⑦ Interruptor de encendido / Tapa del interruptor
- ⑧ Rueda de ajuste de altura
- ⑨ Palanca de bloqueo de bisel
- ⑩ Escala de bisel
- ⑪ Rueda de ajuste del tope-guía
- ⑫ Placa de aguja / Cierre de la placa de aguja
- ⑬ Extensión del tope-guía abatible
- ⑭ Barra de empuje
- ⑮ Escala paralela Indicador
- ⑯ Escala paralela
- ⑰ Cierres del tope-guía
- ⑱ Bloqueo del tope-guía
- ⑲ Llave para hojas Almacenamiento / Llave para hojas
- ⑳ Cuña de separación
- ㉑ Cuña de separación / Cuña de separación con protector Almacenamiento
- ㉒ Conducto de polvo
- ㉓ Guía de ingletes Almacenamiento
- ㉔ Trinquetes antirretroceso Almacenamiento
- ㉕ Cuña de separación Palanca de liberación

**⚠** **ADVERTENCIA** Lea las indicaciones de seguridad, instrucciones, descripciones y datos que se incluyen en el aparato. En caso de no atenerse a las advertencias de peligro e instrucciones siguientes, ello puede ocasionar una descarga eléctrica, un incendio y/o lesión grave.  
**Guardar todas las advertencias de peligro e instrucciones para futuras consultas.**

**⚠** **INSTRUCCIONES DE SEGURIDAD PARA SIERRAS DE MESA**

**1) Advertencias relacionadas con los protectores**

a) **Mantenga los protectores en su lugar. Los protectores deben estar en condiciones operativas e instalados correctamente.** Se deberá reparar o reemplazar un protector si este está suelto, dañado o no funciona correctamente.

b) **Utilice siempre un protector de la hoja de sierra, una caña de separación y un dispositivo antirretroceso para cada operación de corte a través.** Para operaciones de corte a través en las que la hoja de sierra corte completamente a través del grosor de la pieza de trabajo, el protector y otros dispositivos de seguridad ayudan a reducir el riesgo de lesiones.

c) **Vuelva a colocar inmediatamente el sistema de protectores después de completar una operación (como rebajado) que requiera retirar la protección, la caña de separación y/o el dispositivo antirretroceso.** El protector, la caña de separación y el dispositivo antirretroceso ayudan a reducir el riesgo de lesiones.

d) **Asegúrese de que la hoja de sierra no esté en contacto con el protector, la caña de separación o la pieza de trabajo antes de encender el interruptor.** El contacto involuntario de estos elementos con la hoja de sierra podría causar una condición peligrosa.

e) **Ajustar la caña separadora de la forma indicada en las instrucciones de manejo.** El espaciado, la posición y la alineación incorrectos pueden hacer que la caña de separación sea ineficaz para reducir la probabilidad de retroceso.

f) **Para que la caña de separación y el dispositivo antirretroceso funcionen, deben estar acoplados a la pieza de trabajo.** La caña de separación y el dispositivo antirretroceso son ineficaces cuando se cortan piezas de trabajo que son demasiado cortas para acoplarse a la caña de separación y al dispositivo antirretroceso. Bajo estas condiciones la caña de separación y el dispositivo antirretroceso no pueden evitar el retroceso.

g) **Usar la caña separadora apropiada para la hoja de sierra empleada.** Para que la caña de separación funcione correctamente, el diámetro de la hoja de sierra debe coincidir con la cuchilla de separación apropiada, el cuerpo de la hoja de sierra debe ser más delgado que el grosor de la caña de separación y el ancho de corte de la hoja de sierra debe tener un grosor superior al de la caña de separación.

**2) Advertencias sobre los procedimientos de corte**

a) **⚠ PELIGRO: Nunca coloque los dedos o las manos cerca o en línea con la hoja de sierra.** Un momento de falta de atención o un desliz podrían dirigir su mano hacia la hoja de sierra y provocar lesiones personales graves.

b) **Lleve la pieza de trabajo hacia la hoja de sierra únicamente contra el sentido de giro.** Llevar la pieza de trabajo en la misma dirección en la que gira la hoja de sierra por encima de la mesa puede provocar que la pieza de trabajo y la mano sean arrastradas hacia la hoja de sierra.

c) **Nunca utilice la guía de ingletes para alimentar la pieza de trabajo al cortar, ni utilice el tope-guía paralelo como tope longitudinal al cortar transversalmente con la guía de ingletes.** El guiado simultáneo de la pieza de trabajo con el tope-guía paralelo y la guía de ingletes aumenta la probabilidad de atascamiento y de retroceso de la hoja de sierra.

d) **Al cortar, aplique siempre la fuerza de avance de la pieza de trabajo entre el tope-guía y la hoja de sierra. Utilice una barra de empuje cuando la distancia entre el tope-guía y la hoja de sierra sea inferior a 150 mm, y utilice un bloque de empuje cuando esta distancia sea inferior a 50 mm.** Los dispositivos de „ayuda de trabajo“ mantendrán su mano a una distancia segura de la hoja de sierra.

e) **Utilice únicamente la barra de empuje suministrada por el fabricante o construida de conformidad con las instrucciones.** Esta barra de empuje proporciona suficiente distancia de la mano respecto a la hoja de sierra.

f) **Nunca utilice una barra de empuje dañada o cortada.** Una barra de empuje dañada puede romperse causando que su mano se deslice hacia la hoja de la sierra.

g) **No realice ninguna operación „a mano alzada“.** Utilice siempre el tope-guía paralelo o la guía de ingletes para posicionar y guiar la pieza de trabajo. Por „a mano alzada“ se entiende el uso de las manos para apoyar o guiar la pieza de trabajo, en lugar de un tope-guía paralelo o de una guía de ingletes. El aserrado a mano alzada provoca desalineación, atascamiento y retroceso.

h) **Nunca extienda la mano alrededor o sobre una hoja de sierra mientras está girando.** Intentar alcanzar una pieza de trabajo puede provocar un contacto accidental con la hoja de sierra en movimiento.

i) **Proporcione soporte auxiliar de la pieza de trabajo en la parte trasera y/o a los lados de la sierra de mesa para piezas de trabajo largas y/o anchas con el fin de mantenerlas niveladas.** Una pieza de trabajo larga y/o ancha tiende a pivotar en el borde de la mesa, causando pérdida de control, atascamiento de la hoja de sierra y retroceso.

j) **Haga avanzar la pieza de trabajo a un ritmo uniforme. No doble ni tuerza la pieza de trabajo. Si se produce un atasco, apague la herramienta inmediatamente, desenchúfela y, a continuación, elimine el atasco.** Si se atasca la hoja de sierra en la pieza de trabajo, puede producirse un retroceso o la parada del motor.

k) **No retire piezas de material de corte mientras la sierra esté en funcionamiento.** El material puede quedar atrapado entre el tope-guía o dentro del protector de la hoja de sierra y de la propia hoja de sierra, llevando los dedos hacia la hoja de sierra. Apague la sierra y espere hasta que la hoja de sierra se detenga antes de retirar el material.

l) **Utilice un tope-guía auxiliar en contacto con el tablero de la mesa cuando corte piezas de menos de 2 mm de grosor.**

Una pieza de trabajo delgada puede atascarse debajo del tope-guía paralelo y crear un retroceso.

### 3) Causas y prevención contra el rechazo de la sierra:

El retroceso es una reacción repentina de la pieza de trabajo debido a una hoja de sierra pellizcada y atascada, a una línea de corte desalineada en la pieza de trabajo con respecto a la hoja de sierra o a una parte de la pieza de trabajo que se une entre la hoja de sierra y el tope-guía paralelo u otro objeto fijo.

Con mayor frecuencia durante el retroceso, la pieza de trabajo se levanta de la mesa por la parte trasera de la hoja de sierra y es propulsada hacia el operario.

El rechazo se debe a la utilización inadecuada y/o procedimientos o condiciones de trabajo incorrectos y puede evitarse tomando las precauciones que se detallan a continuación.

a) **Nunca permanezca detenido directamente en línea con la hoja de sierra. Coloque siempre su cuerpo en el mismo lado de la hoja de sierra que el tope-guía.** El retroceso puede propulsar la pieza de trabajo a alta velocidad hacia cualquiera que se encuentre de pie delante y en línea con la hoja de sierra.

b) **Nunca extienda la mano por encima o por detrás de la hoja de sierra para tirar o sostener la pieza de trabajo.** Puede producirse un contacto accidental con la hoja de sierra o el retroceso puede arrastrar los dedos hacia la hoja de sierra.

c) **Nunca sostenga y presione la pieza de trabajo que se está cortando contra la hoja de sierra mientras esta está girando.** Presionar la pieza de trabajo que se está cortando contra la hoja de sierra creará una condición de atascamiento y retroceso.

d) **Alinee el tope-guía para que quede paralelo a la hoja de sierra.** Un tope-guía desalineado pellizcará la pieza de trabajo contra la hoja de sierra y creará un retroceso.

e) **Utilice un tabla de canto biselado para guiar la pieza de trabajo contra la mesa y el tope-guía cuando haga cortes que no sean a través, como rebajados.**

Una tabla de canto biselado ayuda a controlar la pieza de trabajo en caso de retroceso.

f) **Tenga especial cuidado cuando haga un corte en áreas ciegas de piezas de trabajo ensambladas.** La hoja de sierra que sobresale puede cortar objetos que pueden causar un retroceso.

g) **Apoye los paneles grandes para minimizar el riesgo de que la hoja de sierra se pellizque y se produzca un retroceso.** Los paneles grandes tienden a hundirse por su propio peso. El/los soporte(s) debe(n) colocarse debajo de todas las partes del panel que sobresalen del tablero de la mesa.

h) **Tenga especial cuidado al cortar una pieza de trabajo que esté torcida, anudada, deformada o que no tenga un borde recto para guiarla con una guía de ingletes o a lo largo del tope-guía.** Una pieza de trabajo deformada, anudada o torcida es inestable y causa desalineación de la línea de corte con la hoja de sierra, atascamiento y retroceso.

i) **Nunca corte más de una pieza de trabajo, apilada vertical u horizontalmente.** La hoja de sierra podría levantar una o más piezas y causar un retroceso.

j) **Al reiniciar la sierra con la hoja de sierra en la pieza de trabajo, centre la hoja de sierra en la línea de corte para que los dientes de sierra no queden enganchados en el material.** Si la hoja de sierra se atasca, esta podría levantar la pieza de trabajo y causar un retroceso al reiniciar la sierra.

k) **Mantenga las hojas de sierra limpias, afiladas y con suficiente juego. Nunca utilice hojas de sierra deformadas ni hojas de sierra con dientes agrietados o rotos.** Las hojas de sierra afiladas y bien ajustadas minimizan el atascamiento, la parada rápida y el retroceso.

### 4) Advertencias sobre el procedimiento operativo de la sierra de mesa

a) **Apague la sierra de mesa y desconecte el paquete de baterías cuando retire el inserto de la mesa, cambie la hoja de sierra o realice ajustes en la cuña de separación, el dispositivo antirretroceso o el protector de la hoja, y cuando la máquina se deje desatendida.** Las medidas de precaución evitarán accidentes.

b) **Nunca deje la sierra de mesa funcionando desatendida. Apáguela y no abandone la herramienta hasta que se detenga por completo.** Una sierra en marcha desatendida es un peligro incontrolado.

c) **Ubique la sierra de mesa en un área bien iluminada y nivelada donde pueda mantener una buena posición de equilibrio y nivelación. Debe instalarse en un área que proporcione suficiente espacio para manipular fácilmente el tamaño de su pieza de trabajo.** Las áreas estrechas y oscuras, y los suelos desnivelados y resbaladizos invitan a accidentes.

d) **Limpie y retire con frecuencia el serrín debajo de la sierra de mesa y/o del dispositivo de recolección de polvo.** El serrín acumulado es combustible y puede producir auto-ignición.

e) **La sierra de mesa debe estar asegurada.** Una sierra de mesa que no esté correctamente asegurada puede moverse o volcarse.

f) **Retire las herramientas, restos de madera, etc. de la mesa antes de encender la sierra de mesa.** Una distracción o un atasco potencial pueden ser peligrosos.

g) **Utilice siempre hojas de sierra con el tamaño y la forma correctos (diamante en lugar de circulares) de los orificios del mandril.** Las hojas de sierra que no coinciden con las herramientas de montaje de la sierra se desplazarán fuera de su centro, causando la pérdida de control.

h) **Nunca utilice medios de montaje de la hoja de sierra dañados o incorrectos, tales como bridas, arandelas de la hoja de sierra, pernos o tuercas.** Estos medios de montaje fueron especialmente diseñados para su sierra, para un funcionamiento seguro y un rendimiento óptimo.

i) **No se suba nunca a la sierra de mesa, ni la utilice como taburete.** Se pueden producir lesiones graves si la herramienta se inclina o si se produce un contacto accidental con la herramienta de corte.

j) **Asegúrese de que la hoja de sierra esté instalada para girar en la dirección correcta. No utilice muelas abrasivas, cepillos de alambre ni discos abrasivos en una sierra de mesa.** La instalación incorrecta de la hoja de sierra o el uso de accesorios no recomendados pueden causar lesiones graves.



## Instrucciones adicionales de seguridad y laborales

Se prohíbe el troquelado, la aradura, el aserrado y el corte del cabezal de moldeo.

¡Utilice protección auditiva! La exposición a niveles de ruido excesivos puede causar la pérdida de audición.

Utilice el equipamiento de protección. Mientras trabaje con la máquina lleve siempre gafas protectoras. Se recomienda utilizar ropa de protección como máscara protectora contra el polvo, guantes protectores, calzado resistente y antideslizante, casco y protección para los oídos.

El polvo que se produce cuando se usa esta herramienta puede ser perjudicial para la salud. Use un sistema de absorción de polvo y utilice una máscara adecuada de protección contra el polvo. Limpie el polvo depositado, por ejemplo con un aspirador.

Asegúrese de que la máquina se encuentre siempre en una posición segura.

Antes de usar la herramienta, por favor lea las instrucciones. Si es posible, pida que le hagan una demostración de la máquina.

No use hojas de sierra dañadas o deformadas.

Emplear únicamente hojas de sierra correctamente afiladas.

Utilice únicamente hojas de carpintería, especificadas en este manual, que cumplan con la norma EN 847-1.

Para minimizar la generación de ruido, la herramienta debe estar afilada y todos los elementos para la reducción del nivel de ruido (protecciones, etc.) deben estar ajustados de acuerdo con las especificaciones.

Deben utilizarse únicamente herramientas conformes con la norma EN 847-1.

Las herramientas deben transportarse y almacenarse en un embalaje adecuado;

Elegir la hoja de sierra adecuada para el material a cortar.

Deberá observarse siempre el número de revoluciones máximo indicado en la hoja de la sierra.

No emplear hojas de sierra elaboradas de acero de corte rápido.

Por favor no emplear muelas abrasivas!

**RETIRE LAS LLAVES DE APRIETE.** Antes de poner en marcha la máquina compruebe sistemáticamente que haya retirado las llaves de apriete.

En el momento de detectar fallas en la máquina, incl. en el dispositivo de seguridad o en las hojas de la sierra, deberán comunicarse las mismas inmediatamente a la persona responsable de la seguridad.

No manipular en el rodillo ni en las cuchillas con la máquina conectada.

Nunca se debe intentar limpiar el polvo o viruta procedente del taladrado con la máquina en funcionamiento.

La caperuza de protección superior no debe utilizarse como mango para el transporte.

Durante el transporte de la máquina, la caperuza de protección superior debe cubrir la parte superior de la hoja de serrar.

Compruebe que la guía de corte paralelo quede paralela a la hoja.

Mantenga la superficie libre de restos de material como p. ej. virutas y restos de aserrado

A pesar de cumplir todas las normas de construcción relevantes, al usar la máquina pueden derivarse peligros, p. ej. debidos a: partes de la pieza de trabajo que salgan despedidas, partes de la pieza de trabajo que salgan despedidas como consecuencia de herramientas dañadas, emisión de ruidos, emisión de polvo de madera.


Retire la batería antes de comenzar cualquier trabajo el aparato.

**ADVERTENCIA!** Para reducir el riesgo de incendio, lesion personales y daños al producto debido a un cortocircuito, no sumerja nunca la herramienta, el paquete de baterías o el cargador en líquido ni permita que fluya un fluido dentro de ellos. Los fluidos corrosivos o conductivos, como el agua de mar, ciertos productos químicos industriales y blanqueadores o lejías que contienen, etc., Pueden causar un cortocircuito.

Recargar solamente los acumuladores del Sistema M18 en cargadores M18. No intentar recargar acumuladores de otros sistemas.

No abra nunca las baterías ni los cargadores y guárdelos sólo en lugares secos. Protéjalos de la humedad en todo momento.

## ADVERTENCIA

 Este dispositivo contiene una batería de litio de botón. En caso de ingesta o de que entre en el cuerpo, una batería nueva o usada puede provocar quemaduras internas y causar la muerte en 2 horas. Asegure siempre la tapa del compartimento de la batería. Si no se cierra correctamente, detenga el dispositivo, retire la batería o mantenga fuera del alcance de los niños. Si cree que alguien puede haber ingerido la batería o que puede haber entrado en el cuerpo de alguna otra manera, acuda inmediatamente a un médico.

## APLICACIÓN DE ACUERDO A LA FINALIDAD

Utilice la sierra de sobremesa únicamente para cortar madera o productos de ese tipo.

No emplear jamás la sierra circular de mesa para cortar materiales que no estén indicados en las instrucciones de empleo.

No deberán cortarse con la sierra piezas de trabajo con perfil redondo o irregular (p. ej. leña), dado que no se pueden sujetar de manera segura. Al cortar de canto con la sierra piezas planas, deberá utilizarse un tope auxiliar adecuado para una guía segura.

Corte paralelo, corte transversal, corte a inglete y corte en bisel con una hoja de sierra montada como máx.

## PELIGROS RESIDUALES

Incluso en caso de la utilización correcta del producto no se pueden excluir totalmente los peligros residuales. Durante la utilización del producto se pueden producir los siguientes riesgos, por lo que el usuario debería tener en cuenta lo siguiente:

- Para evitar lesiones auditivas se debe limitar el tiempo de exposición y utilizar una protección para los oídos adecuada.
- El usuario debería adoptar medidas para reducir los efectos de las vibraciones y para limitar el tiempo de exposición.
- Se debe utilizar una protección respiratoria con el fin de evitar riesgos para la salud que pueden surgir por la respiración del polvo producido en las operaciones de corte.

## MANTENIMIENTO

Retirar la batería antes de iniciar cualquier trabajo de ajuste, limpieza y mantenimiento en el dispositivo.

Asegúrese de desconectar la herramienta de la fuente de alimentación antes de ajustar o retirar la hoja de sierra.

Retire regularmente el polvo. Retire las virutas acumuladas en el interior de la sierra para evitar riesgos de incendio.

Sustituya la pieza de refuerzo de mesa desgastada.

Limpie la herramienta y el dispositivo protector con un paño seco.

Las ranuras de ventilación de la máquina deben estar despejadas en todo momento.

Utilice solamente accesorios y repuestos Milwaukee. En caso de necesitar reemplazar componentes no descritos, contacte con



cualquiera de nuestras estaciones de servicio Milwaukee (consultar lista de servicio técnicos)

En caso necesario, puede solicitar un despiece de la herramienta. Por favor indique el número de impreso que hay en la etiqueta y pida el despiece a la siguiente dirección: Techtronic Industries GmbH, Max-Eyth-Straße 10, 71364 Winnenden, Germany.

### ONE-KEY™

Para obtener más información sobre la funcionalidad ONE-KEY de este dispositivo, por favor, consulte la Guía Rápida incluida junto con este producto o dirijase a <http://www.milwaukeeool.com/one-key>

Puede descargar en su teléfono móvil la aplicación ONE-KEY en la App Store o en Google Play.

El resultado de la prueba cumple con los requisitos mínimos conforme a EN 301 489-1 / EN 301 489-17. Y ofreceremos al cliente las indicaciones de uso en nuestro manual de usuario.

### BATERIA

Las baterías no utilizadas durante cierto tiempo deben ser recargadas antes de usar.

Las temperaturas superiores a 50°C reducen el rendimiento de la batería. Evite una exposición excesiva a fuentes de calor o al sol (riesgo de sobrecalentamiento).

Los puntos de contacto de los cargadores y las baterías se deben mantener limpios.

Para un tiempo óptimo de vida, deberán cargarse las baterías completamente después de su uso. Las baterías no utilizadas durante cierto tiempo deben ser recargadas antes de usar.

Para garantizar la máxima capacidad y vida útil, las baterías recargables se deberían retirar del cargador una vez finalizada la carga.

En caso de almacenar la batería recargable más de 30 días: Almacenar la batería recargable en un lugar seco a una temperatura de aproximadamente 27°C. Almacenar la batería recargable con un estado de carga del 30% y 50% aproximadamente. Recargar la batería cada 6 meses.

No tire las baterías usadas a la basura ni al fuego. Los Distribuidores Milwaukee ofrecen un servicio de recogida de baterías antiguas para proteger el medio ambiente.

No almacene la batería con objetos metálicos (riesgo de cortocircuito).

En caso de sobrecarga o alta temperatura, pueden llegar a producirse escapes de ácido provenientes de la batería. En caso de contacto con éste, límpiese inmediatamente la zona con agua y jabón.

Si el contacto es en los ojos, límpiese concienzudamente con agua durante 10 minutos y acuda inmediatamente a un médico

No introduzca en la cavidad del cargador objetos metálicos (riesgo de cortocircuito).

### PROTECCIÓN CONTRA SOBRECARGA DE LA BATERÍA

En caso de sobrecarga del acumulador por consumo excesivo de corriente eléctrica, por ej. debido a pares muy elevados, agarrotamiento del útil, parada repentina o cortocircuito, la herramienta eléctrica se detendrá durante 2 segundos y se desconectará automáticamente. Para conectarlo de nuevo, soltar el botón de encendido y después conectarlo otra vez. Bajo cargas extremas, el acumulador se puede calentar mucho. En este caso desconectar el acumulador. Meta entonces la batería en el cargador para recargarla otra vez y activarla.

### TRANSPORTE DE BATERÍAS DE IONES DE LITIO

Las baterías de iones de litio caen bajo las disposiciones legales relativas al transporte de mercancías peligrosas.

El transporte de estas baterías recargables debe llevarse a cabo, observando las normas y disposiciones locales, nacionales e internacionales.

Los consumidores pueden transportar estas baterías recargables sin el menor reparo en la calle.

El transporte comercial de baterías recargables de iones de litio por empresas de transportes está sometido a las disposiciones del transporte de mercancías peligrosas. Las preparaciones para el envío y el transporte deben ser llevados a cabo exclusivamente por personas instruidas adecuadamente. El proceso completo debe ser supervisado por personal competente.

Los siguientes puntos se deben observar para el transporte de las baterías recargables:

Se debe asegurar que los contactos estén protegidos y aislados para evitar que se produzcan cortocircuitos. Preste atención a que el conjunto de baterías recargables no se pueda desplazar dentro del envase. Las baterías recargables deterioradas o derramadas no se deben transportar. Rogamos que para cualquier información adicional se dirija a su empresa de transportes.

### DECLARACION DE CONFORMIDAD CE

Declaramos bajo nuestra única responsabilidad que el producto descrito bajo „Datos técnicos“ cumple todas las disposiciones pertinentes de las directivas

2011/65/UE (RoHS)

2006/42/CE

2014/53/UE

y que se han implementado y estándares

EN 62841-1:2015

EN 62841-3-1:2014+AC:2015+A11:2017

EN 62479:2010

EN 55014-1:2017+A11:2020

EN 55014-2:2015

EN IEC 63000:2018

EN 301 489-1 V2.2.3

EN 301 489-17 V3.1.1

EN 300 328 V2.2.2



Winnenden, 2020-11-11

Alexander Krug / Managing Director

Autorizado para la redacción de los documentos técnicos.

Techtronic Industries GmbH

Max-Eyth-Straße 10, 71364 Winnenden, Germany



E

## SÍMBOLOS



Lea las instrucciones detenidamente antes de conectar la herramienta



¡ATENCIÓN! ¡ADVERTENCIA! ¡PELIGRO!



Retire la batería antes de comenzar cualquier trabajo el aparato.



Usar protectores auditivos!

Utilice por ello una máscara protectora contra polvo.



Para trabajar con la máquina, utilizar siempre gafas de protección.



Usar guantes protectores



No introduzca jamás las manos en el área de la hoja de la sierra.



Sólo para uso en interiores



Accesorio - No incluido en el equipo estándar, disponible en la gama de accesorios.



La tabla de canto biselado y los bloques de empuje pueden adquirirse en comercios especializados. Por favor, utilice únicamente accesorios de alta calidad.



Los electrodomésticos y las baterías/acumuladores no se deben eliminar junto con la basura doméstica. Los aparatos eléctricos y los acumuladores se deben recoger por separado y se deben entregar a una empresa de reciclaje para una eliminación respetuosa con el medio ambiente. Infórmese en las autoridades locales o en su tienda especializada sobre los centros de reciclaje y puntos de recogida.

**n<sub>0</sub>**

Velocidad en vacío

**V**

Voltios de CA



Corriente continua



Marcado de conformidad europeo



Marcado de conformidad británico



Marcado de conformidad ucraniano

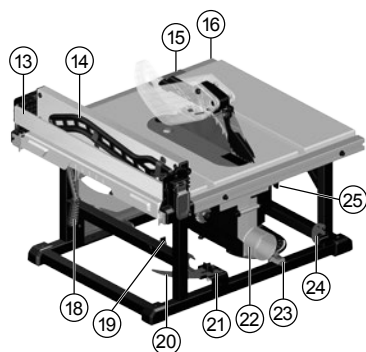
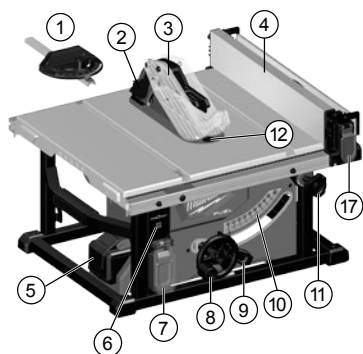


Marcado de conformidad euroasiático

| CARACTERÍSTICAS TÉCNICAS   |                                    | M18 FTS210      |
|--|------------------------------------|-----------------|
| serra circular de bancada,   |                                    |                 |
| Número de produção   | 4609 60 02...<br>... 000001-999999 |                 |
| Tensão do acumulador   | 18 V                               |                 |
| Velocidade em vazio  | 6300 min <sup>-1</sup>             |                 |
| Banda de frequências   | 2402-2480 MHz                      |                 |
|  | 1,8 dBm                            |                 |
| Ø de disco x Ø da furação  | 210 x 30 mm                        |                 |
| Espessura do corpo da lâmina da serra  | no máx. 1,55 mm                    |                 |
| Espessura do dente   | no mín. 1,8 mm<br>no máx. 2,2 mm   |                 |
| Profundidade de corte máx. A 0 / 45°   | 63,5 / 44 mm                       |                 |
| Distância entre a guia paralela e a lâmina da serra no máx.                                      | Esquerda                           | 310 mm          |
|  | Direita                            | 525 mm / 622 mm |
| Peso nos termos do procedimento-EPTA 01/2014 (Li-Ion 2,0 Ah ... 12,0 Ah)                         | 21,2 kg ... 22,3 kg                |                 |
| Temperatura ambiente recomendada para a operação   | -18°C ... +50°C                    |                 |
| Conjuntos de baterias recomendados   | M18B... / M18HB...                 |                 |
| Carregadores recomendados  | M12-18... / M1418 C6               |                 |
| <b>Informações sobre ruído</b>   |                                    |                 |
| Valores de medida de acordo com EN 62841. O nível de ruído avaliado A do aparelho é tipicamente: |                                    |                 |
| Nível da pressão de ruído (Incertez K=3dB(A))  | 92,37 dB(A)                        |                 |
| Nível da potência de ruído (Incertez K=3dB(A))   | 103,37 dB(A)                       |                 |
| <b>Use protectores auriculares!</b>  |                                    |                 |



Por



#### Descrição do dispositivo

- ① Escala de corte da serra
- ② Dispositivos de bloqueio antirreco
- ③ Lâmina separadora com resguardo / Resguardo da lâmina
- ④ Guia paralela
- ⑤ Bateria
- ⑥ Indicador de UMA CHAVE
- ⑦ Interruptor / Cobertura do interruptor
- ⑧ Roda de ajuste da altura
- ⑨ Alavanca de bloqueio do bisel
- ⑩ Escala do bisel
- ⑪ Roda de ajuste da guia
- ⑫ Placa da ranhura de corte / Trava da placa da ranhura de corte
- ⑬ Guia extensível com várias posições
- ⑭ Empurrador
- ⑮ Escala de profundidade do corte indicador
- ⑯ Escala de profundidade do corte
- ⑰ Travas da guia
- ⑱ Bloqueio da guia
- ⑲ Chave da lâmina armazenamento / Chave da lâmina
- ⑳ Lâmina separadora
- ㉑ Lâmina separadora / Lâmina separadora com resguardo armazenamento
- ㉒ Ligaç o de aspira o
- ㉓ Escala de corte da serra armazenamento
- ㉔ Dispositivos de bloqueio antirreco armazenamento
- ㉕ Lâmina separadora alavanca de desbloqueio

Portugu s

**⚠️ ATENÇÃO** Ler todas as indicações de segurança, instruções, representações e dados fornecidos juntamente com o aparelho. O desrespeito das advertências e instruções apresentadas abaixo pode causar choque eléctrico, incêndio e/ou graves lesões. **Guarde bem todas as advertências e instruções para futura referência.**

## **⚠️ INSTRUÇÕES DE SEGURANÇA REFERENTES À UTILIZAÇÃO DE SERRAS DE BANCADA**

### **1) Avisos referentes aos resguardos**

a) **Mantenha os resguardos no sítio. Os resguardos devem estar em boas condições de funcionamento e ser montados de modo adequado.** Qualquer resguardo que se encontre solto, danificado ou que não esteja a funcionar corretamente tem ser reparado ou substituído.

b) **Utilize sempre o resguardo da lâmina da serra, a lâmina separadora e o dispositivo antirrecuo em todas as operações de corte.** No que se refere a operações de corte em que a lâmina corta a peça de trabalho em toda a espessura da mesma, os resguardos e outros dispositivos de segurança ajudam a reduzir o risco de lesão.

c) **Após concluir uma operação que exija a remoção do resguardo, lâmina separadora e/ou dispositivo antirrecuo (como por exemplo, desbaste), volte a encaixar de imediato o sistema de resguardo.** O resguardo, a lâmina separadora e o dispositivo antirrecuo ajudam a reduzir o risco de lesão.

d) **Antes de ligar o interruptor, certifique-se de que a lâmina da serra não se encontra em contacto com o resguardo, lâmina separadora ou peça de trabalho.** O contacto accidental destes itens com a lâmina da serra pode provocar uma situação perigosa.

e) **Ajustar a cunha abridora como descrito na instrução de serviço.** O espaçamento, posicionamento e alinhamento incorretos podem conduzir à ineficácia da lâmina de separação no que se refere a reduzir a probabilidade de recuo.

f) **Para que a lâmina de separação e o dispositivo antirrecuo possam funcionar, têm de estar em contacto com a peça de trabalho.** A lâmina separadora e o dispositivo antirrecuo são ineficazes no corte de peças demasiado curtas para serem alcançadas por estes dispositivos. Em tais condições, a lâmina separadora e o dispositivo antirrecuo não podem evitar a ocorrência de um recuo.

g) **Utilize a cunha abridora apropriada para a lâmina de serra utilizada.** Para que a lâmina de separação funcione corretamente, o diâmetro da lâmina da serra deve coincidir com a lâmina de separação adequada, o corpo da lâmina de serra deve ser mais fino do que a espessura da lâmina separadora e a largura de corte da lâmina da serra deve ser maior do que a espessura da lâmina de separação.

### **2) Avisos referentes aos procedimentos de corte**

a) **⚠️ PERIGO: Nunca coloque os dedos ou mãos perto da lâmina da serra ou alinhados com a mesma.** Um momento de distração ou deslizamento poderia orientar a sua mão em direção à lâmina da serra, o que resultaria em ferimentos graves.

b) **Introduza a peça de trabalho na lâmina da serra apenas contra o sentido da rotação.** Introduzir a peça de trabalho na

mesma direção em que a lâmina estiver a girar acima da bancada pode fazer com que a peça de trabalho, bem como a sua mão, sejam puxadas para a lâmina da serra.

c) **Ao fazer cortes com a esquadria transversal, nunca utilize esse dispositivo para introduzir a peça de trabalho enquanto corta e não use a guia paralela como batente de comprimento.** Orientar a peça de trabalho com a guia paralela e o dispositivo de esquadria, de forma simultânea, aumenta a probabilidade de recuo e encravamento da lâmina.

d) **Ao cortar, aplique sempre a força de introdução da peça de trabalho entre a guia e a lâmina de serra. Quando a distância entre a guia e a lâmina da serra for inferior a 150 mm, utilize uma régua empurradora, e quando essa distância for inferior a 50 mm, um bloco empurrador.** Os dispositivos „auxiliares de trabalho“ mantêm a sua mão a uma distância segura da lâmina da serra.

e) **Utilize apenas o empurrador fornecido pelo fabricante ou outro empurrador que tiver sido construído de acordo com as instruções.** Este empurrador permite que a mão fique suficientemente distante da lâmina da serra.

f) **Nunca utilize um empurrador danificado ou cortado.** Um empurrador danificado pode partir-se, fazendo com que a sua mão deslize em direção à lâmina da serra.

g) **Não efetue qualquer operação „à mão livre“.** Utilize sempre a guia paralela ou a esquadria para posicionar e orientar a peça de trabalho. A expressão „à mão livre“ refere-se a utilizar as mãos para suportar ou orientar a peça de trabalho, em vez de uma guia paralela ou da esquadria da serra. Serrar „à mão livre“ conduz ao desalinhamento, encravamento e recuo da serra.

h) **Nunca estenda o braço em torno ou por cima de uma lâmina de serra em rotação.** Tentar alcançar uma peça de trabalho pode conduzir a um contacto accidental com a lâmina da serra que se encontra em movimento.

i) **Ao trabalhar com peças de trabalho longas e/ou largas, proporcione suporte auxiliar às mesmas, a fim de as manter niveladas, pela parte traseira e/ou partes laterais da bancada da serra.** Se for longa e/ou larga, a peça tem tendência a virar-se na borda da bancada, levando à perda de controlo, encravamento e recuo da lâmina da serra.

j) **Introduza a peça a um ritmo uniforme. Não dobre ou torça a peça de trabalho. Em caso de encravamento, desligue a ferramenta e o respetivo cabo de alimentação de imediato e, só então, elimine aquilo que provocou o encravamento.** O encravamento da lâmina da serra provocado pela peça de trabalho pode originar um recuo ou parar o motor.

k) **Enquanto a serra estiver em funcionamento, não remove pedaços de materiais cortados.** O material pode ficar preso entre a guia ou dentro do resguardo da lâmina da serra e esta última, levando a que os dedos sejam puxados para a lâmina da serra. Antes de remover o material, desligue a serra e aguarde até que a respetiva lâmina se imobilize.

l) **Quando efetuar cortes com menos de 2 mm de espessura, utilize uma guia auxiliar em contacto com a superfície da mesa.** Uma peça fina pode produzir um efeito de cunha debaixo da guia paralela e criar um recuo.

### 3) Causa e prevenção contra um contra-golpe:

O recuo é uma reação súbita da peça de trabalho decorrente do facto de a lâmina da serra se encontrar apertada ou encravada, ou de a linha de corte na peça de trabalho se encontrar desalinhada relativamente à lâmina de serra, ou de uma parte da peça de trabalho ter ficado encravada entre a lâmina da serra e a guia paralela ou outro objeto fixo.

Muito frequentemente, durante o recuo, a peça é erguida da bancada pela parte traseira da lâmina da serra e projetada em direção ao operador.

Um contra-golpe é o resultado de uma utilização errada ou incorrecta da serra. Ele pode ser evitado com apropriadas medidas de precaução, como descrito a seguir.

- a) **Nunca se coloque diretamente em linha com a lâmina da serra. Posicione o corpo do mesmo lado em que se encontra a guia relativamente à lâmina da serra.** O recuo pode projetar a peça de trabalho a alta velocidade em direção a alguém que se encontre de pé, em frente e alinhado com a lâmina da serra.
- b) **Nunca estenda o braço em torno ou por cima de uma lâmina de serra em rotação para puxar ou apoiar a peça de trabalho.** Pode ocorrer um contacto accidental com a lâmina da serra ou o recuo pode arrastar os seus dedos para a mesma.
- c) **Nunca segure e pressione a peça de trabalho que está a ser cortada contra a lâmina da serra em rotação.** Pressionar a peça que está a ser cortada contra a lâmina da serra criará condições propícias à ocorrência de encravamento e recuo.
- d) **Alinhe a guia de modo a ficar paralela à lâmina da serra.** Se a guia ficar desalinhada, vai apertar a peça de trabalho contra a lâmina da serra e dar origem a um recuo.
- e) **Ao fazer cortes que não atravessem a peça em toda a sua espessura, tal como acontece com o desbaste, utilize uma tábua guia para orientar a peça de trabalho contra a bancada.** Em caso de recuo, a utilização de uma tábua guia ajuda a controlar a peça de trabalho.
- f) **Ao fazer um corte em zonas cegas de peças já montadas, redobre a cautela.** É possível que a lâmina da serra protuberante corte objetos que possam originar um recuo.
- g) **Apoie os painéis de grandes dimensões, de forma a minimizar o risco de aperto e recuo da lâmina da serra.** Os painéis de grandes dimensões tendem a ceder sob o seu próprio peso. Deve(m) ser colocado(s) suporte(s) por baixo de todas as partes do painel que se encontrem suspensas sobre o tampo da bancada.
- h) **Tenha muito cuidado ao cortar uma peça de trabalho torcida, nodosa, empenada ou que não disponha de uma margem reta que permita orientá-la com uma esquadria ou ao longo da guia.** As peças torcidas, nodosas ou empenadas são instáveis e provocam o desalinhamento do corte relativamente à lâmina de serra, bem como o encravamento e recuo.
- i) **Nunca corte mais de uma peça de trabalho, quer seja empilhada vertical ou horizontalmente.** A lâmina da serra poderia agarrar uma ou mais peças e provocar um recuo.
- j) **Quando reiniciar a serra com a lâmina já posicionada na peça de trabalho, centre a lâmina no corte, para que os dentes não fiquem presos no material.** Se a lâmina da serra ficar encravada, pode levantar a peça de trabalho e provocar um movimento de recuo quando a serra for reiniciada.

k) **Mantenha as lâminas da serra limpas, afiadas e suficientemente ajustadas. Nunca utilize lâminas de serra torcidas ou que tenham dentes rachados ou partidos.** As lâminas afiadas e devidamente instaladas minimizam as situações de encravamento, paragem e recuo.

### 4) Avisos referentes aos procedimentos operativos da serra de bancada

- a) **Ao retirar o encaixe da bancada, mudar a lâmina da serra ou ajustar a lâmina de separação, dispositivo antirrecuo ou resguardo da lâmina, bem como quando a máquina for deixada desacompanhada, desligue a serra de bancada e remova a respetiva bateria.** As medidas de precaução irão evitar acidentes.
- b) **Nunca deixe a serra de bancada a trabalhar desacompanhada. Desligue a ferramenta e não abandone até estar completamente parada.** Uma serra que se encontre em funcionamento sem estar acompanhada constitui um risco não controlado.
- c) **Posicione a serra de bancada numa área bem iluminada e nivelada, onde possa manter a firmeza e o equilíbrio. Deve ser instalada numa área que proporcione espaço suficiente para lidar com o tamanho da sua peça com facilidade.** As áreas exíguas e escuras, bem como os pisos escorregadios e desnivelados, constituem um convite à ocorrência de acidentes.
- d) **Com frequência, limpe e remova a serradura acumulada debaixo da serra de bancada e/ou no dispositivo de recolha de pó.** A serradura acumulada é combustível e pode inflamar-se.
- e) **A serra de bancada tem de estar fixa.** Se uma serra de bancada não estiver devidamente fixa, pode mover-se ou tombar.
- f) **Antes de ligar a serra, remova as ferramentas, restos de madeira, etc. da bancada.** Uma distração ou potencial encravamento podem ser perigosos.
- g) **Utilize sempre lâminas de serra com a dimensão e forma corretas (encaixe em forma de diamante ou redondo) relativamente aos orifícios de suporte.** As lâminas de serra não correspondentes às peças de montagem da mesma irão funcionar descentradas, provocando a perda de controlo.
- h) **Nunca utilize meios de montagem da lâmina da serra que sejam incorretos ou que se encontrem danificados, tais como flanges, anilhas, parafusos ou porcas.** Estes meios de montagem foram especialmente concebidos para que a sua serra possa funcionar de forma segura e ter um ótimo desempenho.
- i) **Nunca se apoie na serra de bancada nem a utilize como degrau.** Se a ferramenta for inclinada ou se houver contacto accidental com a mesma, podem ocorrer ferimentos graves.
- j) **Certifique-se de que a lâmina da serra é instalada de forma a girar na direção correta. Não utilize discos de esmeril, escovas de arame ou discos abrasivos numa serra de bancada.** A instalação incorreta da lâmina da serra ou utilização de acessórios não recomendados podem provocar ferimentos graves.

### Instruções de segurança e trabalho suplementares

É proibido emendar, lavar ou alterar a serrilha, bem como moldar a cabeça de corte.

Sempre use a protecção dos ouvidos. Os ruídos podem causar surdez.



Utilizar equipamento de protecção. Durante os trabalhos com a máquina, usar sempre óculos de protecção. Vestuário de protecção, bem como máscara de pó, sapatos fechados e antiderrapante, capacete e protecção auditiva são recomendados.

A poeira gerada ao trabalhar com esta ferramenta pode ser perigosa para a saúde e por isso não deve atingir o corpo. Utilize um sistema de absorção de poeiras e use uma máscara de protecção. Retire completamente a poeira depositada, por exemplo com um aspirador.

Assegure-se que a máquina sempre esteja numa posição segura.

Recomenda-se a leitura atenta das instruções de serviço da máquina antes da primeira utilização. Paça para ser adestrado no uso prático da gadanheira.

Não use folhas de serra danificadas ou deformadas.

Só utilize folhas de serra correctamente afiadas.

Utilize apenas as lâminas para madeira especificadas neste manual, as quais se encontram em conformidade com a EN 847-1.

Para reduzir a ocorrência de ruídos, a ferramenta deve estar afiada e todos os elementos que contribuem para a diminuição do ruído (coberturas, etc.) devem estar correctamente ajustados.

Devem apenas utilizar-se ferramentas que correspondem à norma EN 847-1.

As ferramentas devem ser transportadas e guardadas num receptáculo adequado;

Selecione uma folha de serra apropriada para o material a cortar.

Observe o número de rotações máximo, indicado na folha de serra.

Não utilize folhas de serra fabricadas de aço rápido.

É favor não instalar discos de lixar!

Remova as chaves tensor. Verifique sempre antes de ligar o aparelho, se as chaves tensor foram removidas.

Erros na máquina, inclusive do dispositivo de protecção ou das folhas de serra deverão ser comunicadas à pessoa responsável pela segurança, logo que forem detectados.

Não introduza as mãos na área perigosa, estando a máquina em funcionamento.

Não remover aparas ou lascas enquanto a máquina trabalha.

A cobertura de protecção superior não pode ser utilizada como punho para transportar a ferramenta!

Durante o transporte da ferramenta, a cobertura de protecção superior deve cobrir a parte superior da lâmina de serra.

Verifique, se a guia paralela de corte está em paralelo a lâmina de serra.

Mantenha o piso livre de resíduos de material, por exemplo aparas ou resíduos de serração.

Apesar da observação de todos os regulamentos de construção importantes, ainda existem riscos ao utilizar-se a ferramenta, p. ex. devido a:

projectão de partes das peças a trabalhar, projectão de partes de ferramentas no caso de ferramentas danificadas, emissão de ruídos, emissão de pó de madeira.


Antes de efectuar qualquer intervenção o aparelho retirar o bloco acumulador.

**ATENÇÃO!** Para evitar o risco de incêndio, de feridas ou de danificação do produto causado por um curto-circuito, não imerja a bateria intercambiável ou o carregador em líquidos e assegure-se de que líquidos não penetrem nos aparelhos ou nas baterias. Líquidos corrosivos ou condutivos como água salgada, determinadas substâncias químicas ou produtos que contenham branqueadores podem causar um curto-circuito.

Use apenas carregadores do Sistema M18 para recarregar os acumuladores do Sistema M18. Não utilize acumuladores de outros sistemas.

Carregadores só devem ser utilizados em recintos secos.

### ATENÇÃO

 Este dispositivo contém uma pilha de célula de lítio tipo botão/moeda. Uma pilha de nova ou usada pode causar queimaduras internas graves e levar à morte em menos de 2 horas, em caso de ingestão ou se ela penetrar no corpo. Fixe sempre a tampa do compartimento da pilha. Se ela não for fechada seguramente, pare o dispositivo, remova a pilha e mantenha-a fora do alcance de crianças. Se achar que alguém engoliu a pilha ou se ela tiver de algum outro modo penetrado no corpo, procure imediatamente um médico.

### UTILIZAÇÃO AUTORIZADA

Utilize a sua serra circular de bancada apenas para serrar madeira e produtos de madeira.

Nunca utilizar a serra circular de bancada para cortar outros materiais do que os indicados no manual de instruções.

Materiais com secção transversal redonda ou irregular (por exemplo lenha) não devem ser serrados, pois não é possível segurá-los seguramente na serração. Na serração de canto de materiais planos, um encosto auxiliar apropriado deve ser usado para guiar o material seguramente.

Corte de rasgo, corte transversal, corte de serra e corte de chanfradura utilizando, no máximo, uma lâmina de serra montada.

### RISCOS RESIDUAIS

Mesmo se este produto for usado de forma correcta, riscos residuais não podem ser inteiramente excluídos. Os seguintes riscos podem ocorrer na utilização. Por isso, o utilizador deve observar o seguinte:

- Para evitar danos de audição, o tempo de exposição deve ser limitado e uma protecção dos ouvidos adequada deve ser usada.
- O utilizador deve tomar as medidas necessárias para reduzir os efeitos das vibrações e limitar o tempo de exposição.
- Deverá ser usada uma máscara respiratória para evitar riscos de saúde, causados pela inalação de serradura.

### MANUTENÇÃO

Remova o bloco da bateria antes de iniciar qualquer trabalho de ajuste, limpeza e manutenção no dispositivo.

Certifique-se que desliga a ferramenta da rede eléctrica antes de instalar ou remover a lâmina serra.

Retire regularmente o pó. Retire a serradura acumulada no interior da serra para evitar riscos de incêndio.

Substitua a inserção de mesa desgastada.

Limpe o aparelho e o dispositivo de protecção com um pano seco.

Manter desobstruídos os rasgos de ventilação na carcaça da máquina.

Utilizar apenas acessórios Milwaukee e peças sobresselentes Milwaukee. Os componentes cuja substituição não esteja descrita devem ser substituídos num serviço de assistência técnica Milwaukee (consultar a brochura relativa à garantia/moradas dos serviços de assistência técnica).

A pedido e mediante indicação da referência que consta da capa de características da máquina, pode requerer-se um desenho explosivo da ferramenta eléctrica a: Techtronic Industries GmbH, Max-Eyth-Straße 10, 71364 Winnenden, Germany.

## ONE-KEY™

Para saber mais sobre a funcionalidade ONE-KEY deste dispositivo, consulte o guia de iniciação rápida fornecido com este produto ou vá a <http://www.milwaukeeetool.com/one-key>

Pode-se descarregar a app ONE-KEY para o smartphone através da App Store ou do Google Play.

O resultado do teste satisfaz as nossas exigências mínimas nos termos das normas EN 301 489-1 / EN 301 489-17. Forneceremos ao cliente a orientação de operação contida no manual do utilizador.

## ACUMULADOR

Acumuladores não utilizados durante algum tempo devem ser recarregados antes da sua utilização.

Temperaturas acima de 50°C reduzem a capacidade do bloco acumulador. Evitar exposição prolongada ao sol ou a caloríferos.

Manter limpos os contactos eléctricos no carregador e no bloco acumulador.

Para uma vida útil óptima das baterias, terá que carregá-las plenamente após a sua utilização. Acumuladores não utilizados durante algum tempo devem ser recarregados antes da sua utilização.

Para assegurar uma vida útil longa, o pacote de bateria deve ser removido da carregadora depois do carregamento.

Se o pacote de bateria for armazenado por mais de 30 dias: Armazene o pacote de bateria com aprox. 27°C em um lugar seco. Armazene o pacote de bateria com aprox. 30%-50% da carga completa. Carregue o pacote de bateria novamente de 6 em 6 meses.

Não queimar acumuladores gastos nem deitá-los no lixo doméstico. A Milwaukee possui uma eliminação de acumuladores gastos que respeita o meio ambiente.

Não guardar acumuladores junto com objectos metálicos (perigo de curto-circuito).

Em caso de cargas ou temperaturas extremas, um acumulador de substituição danificado poderá verter líquido de bateria. Se entrar em contacto com este líquido, deverá lavar-se imediatamente com água e sabão. Em caso de contacto com os olhos, enxagúe-os bem e de imediato durante pelo menos 10 minutos e consulte um médico o mais depressa possível.

Não abrir acumuladores e carregadores. Armazená-los em recintos secos. Protegê-los contra humidade.

## PROTECÇÃO DE SOBRECARGA DE BATERIA

Em caso de sobrecarga da bateria devido a um consumo de energia muito alto, p.ex., por causa de um elevado binário, de uma parada repentina ou de um curto-circuito, a ferramenta eléctrica pára por 2 segundos e desliga-se automaticamente. Para a ligar novamente, desligar e voltar a ligar o interruptor. Para a ligar novamente, desligar e voltar a ligar o interruptor. Sob condições extremas, a bateria pode aquecer demasiado. Neste caso a bateria desliga-se. Voltar então a colocar o acumulador no carregador para o carregar de novo e para assim o activar.

## TRANSPORTE DE BATERIAS DE IÃO-LÍTIO

Baterias de ião-lítio estão sujeitas às disposições da legislação relativa às substâncias perigosas.

O transporte destas baterias deve ser efetuado de acordo com as disposições e os regulamentos locais, nacionais e internacionais.

O utilizador pode efetuar o transporte rodoviário destas baterias sem restrições.

O transporte comercial de baterias de ião-lítio por terceiros está sujeito aos regulamentos relativos às substâncias perigosas. A preparação do transporte e o transporte devem ser executados

exclusivamente por pessoas instruídas e o processo deve ser acompanhado pelos especialistas correspondentes.

Observe o seguinte no transporte de baterias:

Assegure-se de que os contactos terminais estejam protegidos e isolados para evitar um curto-circuito. Assegure-se de que o bloco da bateria esteja protegido contra movimentos na embalagem. Não transporte baterias danificadas ou que tenham fuga. Para instruções mais detalhadas consulte a companhia de transportes

## DECLARAÇÃO DE CONFORMIDADE CE

Declaramos, sob a nossa inteira responsabilidade, que o produto descrito em «Dados Técnicos» cumpre todas as disposições relevantes das diretivas

2011/65/UE (RoHS)

2006/42/CE

2014/53/UE

tendo sido seguidas as seguintes normas harmonizadas

EN 62841-1:2015

EN 62841-3-1:2014+AC:2015+A11:2017

EN 62479:2010

EN 55014-1:2017+A11:2020

EN 55014-2:2015

EN IEC 63000:2018

EN 301 489-1 V2.2.3

EN 301 489-17 V3.1.1

EN 300 328 V2.2.2



Winnenden, 2020-11-11

Alexander Krug / Managing Director

Autorizado a reunir a documentação técnica.

Techtronic Industries GmbH

Max-Eyth-Straße 10, 71364 Winnenden, Germany



Por

## SYMBOLE



Leia atentamente o manual de instruções antes de colocar a máquina em funcionamento.



ATENÇÃO! PERIGO!



Antes de efectuar qualquer intervenção o aparelho retirar o bloco acumulador.



Use protectores auriculares!

Use uma máscara de protecção contra pó apropriada.



Usar sempre óculos de protecção ao trabalhar com a máquina.



Use luvas de protecção!



Nunca coloque as mãos na área da folha de serra.



O aparelho destina-se unicamente a ser utilizado em trabalhos interiores; não exponha o aparelho à chuva.



Acessório - Não incluído no equipamento normal, disponível como acessório.



A tábua guia e os blocos empurradores podem ser adquiridos através de revendedores especializados. Agradecemos que utilize apenas acessórios de alta qualidade.



Aparelhos eléctricos, baterias/acumuladores não devem ser jogados no lixo doméstico. Os aparelhos eléctricos e as baterias devem ser colectados separadamente e entregues a uma empresa de reciclagem para a eliminação correcta. Solicite informações sobre empresas de reciclagem e postos de colecta de lixo das autoridades locais ou do seu vendedor autorizado.

**n<sub>0</sub>** Velocidade em vazio

**V** Volts de CA



Corrente contínua



Marca de Conformidade Europeia



Marca de Conformidade Britânica



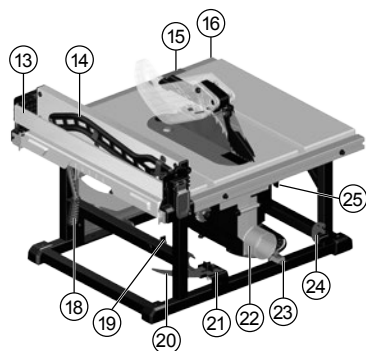
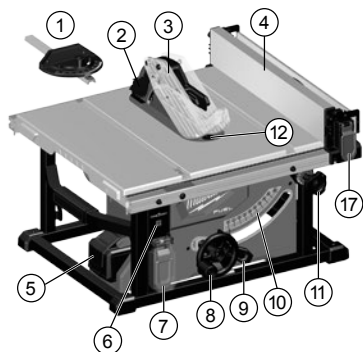
Marca de Conformidade Ucraniana



Marca de Conformidade Eurasíática



| TECHNISCHE GEGEVENS<br>tafelcirkelzaag   |                                    | M18 FTS210                |
|--|------------------------------------|---------------------------|
| Productienummer  | 4609 60 02...<br>... 000001-999999 |                           |
| Spanning wisselakku  | 18 V                               |                           |
| Onbelast toerental   | 6300 min <sup>-1</sup>             |                           |
| Frequentieband   | 2402-2480 MHz                      |                           |
| Radiofrequent vermogen   | 1,8 dBm                            |                           |
| Zaagblad ø x boring ø  | 210 x 30 mm                        |                           |
| Dikte van het zaagblad   | max. 1,55 mm                       |                           |
| Dikte van de zaagtand  | min. 1,8 mm<br>max. 2,2 mm         |                           |
| Max. zaagdiepte bij 0 / 45°  | 63,5 / 44 mm                       |                           |
| Afstand tussen langsgelieder en zaagblad max.  | Links<br>Rechts                    | 310 mm<br>525 mm / 622 mm |
| Gewicht volgens de EPTA-procedure 01/2014 (Li-Ion 2,0 Ah ... 12,0 Ah)                                      | 21,2 kg ... 22,3 kg                |                           |
| Aanbevolen omgevingstemperatuur voor het bedrijf   | -18°C ... +50°C                    |                           |
| Aanbevolen accupacks   | M18B... / M18HB...                 |                           |
| Aanbevolen laadtoestellen  | M12-18... / M1418 C6               |                           |
| <b>Geluidsinformatie</b>   |                                    |                           |
| Meetwaarden vastgesteld volgens EN 62841. Het kenmerkende A-gewogen geluidsniveau van de machine bedraagt: |                                    |                           |
| Geluidsdrukniveau (Onzekerheid K=3dB(A))   | 92,37 dB(A)                        |                           |
| Geluidsvermogeniveau (Onzekerheid K=3dB(A))  | 103,37 dB(A)                       |                           |
| <b>Draag oorbeschermers!</b>   |                                    |                           |



### Beschrijving van het apparaat

- ① Verstekzaaghoek
- ② Terugslagbeveiliging
- ③ Spouwmes met beschermkap leave out / Beschermkap
- ④ Langsgelieder
- ⑤ Accu
- ⑥ ONE KEY-indicator
- ⑦ AAN/UIT-schakelaar / AAN/UIT-schakelaar/schakelaarkap
- ⑧ Handwiel voor hoogteverstelling
- ⑨ Blokkeerhendel
- ⑩ Schaalverdeling
- ⑪ Geleiderinstelwiel
- ⑫ Tafelinlegplaat / Tafelinlegplaatvergrendeling
- ⑬ Geleiderverlenging
- ⑭ Duwstok
- ⑮ Schaalverdeling voor de langsgelieder leave out
- ⑯ Schaalverdeling voor de langsgelieder
- ⑰ Geleidervergrendelingen
- ⑱ Geleiderblokkering
- ⑲ Opbergvak voor zaagbladsleutel opbergvak / Opbergvak voor zaagbladsleutel
- ⑳ Spouwmes met beschermkap
- ㉑ Spouwmes met beschermkap / Spouwmes met beschermkap leave out opbergvak
- ㉒ Stofvanger
- ㉓ Verstekzaaghoek opbergvak
- ㉔ Terugslagbeveiliging opbergvak
- ㉕ Spouwmes met beschermkap Ontgrendelhefboom

**⚠ WAARSCHUWING** Lees en bekijk alle veiligheidsaanwijzingen, aanwijzingen, afbeeldingen en gegevens die u bij het apparaat ontvangt. Als de waarschuwingen en voorschriften niet worden opgevolgd, kan dit een elektrische schok, brand of ernstig letsel tot gevolg hebben. **Bewaar alle waarschuwingen en voorschriften voor toekomstig gebruik.**

## **⚠ VEILIGHEIDSINSTRUCTIES VOOR ZAAGTAFELS**

### **1) Waarschuwingen met betrekking tot de beschermkappen**

a) **Demonteer de beschermkappen niet. Beschermkappen moet correct werken en op de juiste manier zijn gemonteerd.** Een beveiliging die los zit, beschadigd is of niet correct werkt moet worden gerepareerd of vervangen.

b) **Gebruik altijd de beschermkap, het spouwmes en de terugslagbeveiliging voor elke door-en-door zaagsnede.** Bij door-en-door zaagsnedes, waarbij het zaagblad door de hele dikte van het werkstuk zaagt, helpen de geleider en andere beveiligingen het risico van letsel te verkleinen.

c) **Monteer de beschermkap onmiddellijk terug op de machine nadat u een bewerking (zoals het zagen van een sponning) hebt uitgevoerd waarvoor de beschermkap, het spouwmes en/of de terugslagbeveiliging moest worden gedemonteerd.** De beschermkap, het spouwmes en de terugslagbeveiliging helpen het risico van letsel te verkleinen.

d) **Controleer of het zaagblad de beschermkap, het spouwmes en het werkstuk niet raakt voor u de machine inschakelt.** Door de machine in te schakelen terwijl het zaagblad iets raakt kunnen gevaarlijke situaties ontstaan.

e) **Stel het spouwmes in zoals in de gebruiksaanwijzing beschreven.** Door het spouwmes te dicht op of juist te ver van of niet in lijn met het zaagblad verliest dit zijn werking en vergroot u de kans op terugslag van het werkstuk.

f) **Het spouwmes en de terugslagbeveiliging zijn alleen effectief wanneer ze contact maken met het werkstuk.** Het spouwmes en de terugslagbeveiliging werken niet wanneer u werkstukken zaagt die te kort zijn om contact te maken met het spouwmes en de terugslagbeveiliging. In die gevallen kunnen het spouwmes en de terugslagbeveiliging een terugslag niet voorkomen.

g) **Gebruik een spouwmes dat bij het ingezette zaagblad past.** Het spouwmes kan alleen goed werken wanneer de diameter van het zaagblad past bij de afmeting van het spouwmes en het zaagblad dunner, maar de snede van het zaagblad breder is dan de dikte van het spouwmes.

### **2) Waarschuwingen bij het zagen**

a) **⚠ GEVAAR: Houd uw vingers of handen nooit in de buurt of het verlengde van het zaagblad.** Een ogenblik van onoplettendheid of uitglijden van uw hand in de richting van het zaagblad kan leiden tot ernstig persoonlijk letsel.

b) **Voer het werkstuk altijd in het zaagblad tegen de draairichting in.** Wanneer u het werkstuk in de draairichting van het zaagblad boven het werkblad in de zaag steekt kan het werkstuk, en uw hand, in het zaagblad worden getrokken.

c) **Gebruik nooit de dwarsgeleider om het werkstuk te duwen wanneer u een langssnede maakt en gebruik de langgeleider niet als aanslag wanneer u met de dwarsgeleider zaagt.** Wanneer u het werkstuk gelijktijdig insluit met de langgeleider en de dwarsgeleider neemt de kans dat van zaagblad gaat klemmen en terugslag toe.

d) **Druk bij het maken van een langssnede altijd tegen het werkstuk tussen de langgeleider en het zaagblad. Gebruik een duwstok wanneer de afstand tussen de geleider en het zaagblad minder dan 150 mm is en een duwblok wanneer die afstand minder dan 50 mm is.** Hulpstukken<sup>1</sup> helpen uw hand op een veilige afstand van het zaagblad te houden.

e) **Gebruik alleen de bij de machine meegeleverde duwstok of een vergelijkbaar zelfgemaakt exemplaar.** Deze duwstok zorgt ervoor dat er voldoende afstand is tussen uw hand en het zaagblad.

f) **Gebruik nooit een beschadigde duwstok.** Een beschadigde duwstok zou kunnen breken, waardoor uw hand in het zaagblad zou kunnen glijden.

g) **Zaag nooit 'uit de vrije hand'. Gebruik altijd ofwel de langgeleider of de dwarsgeleider om het werkstuk te positioneren en te geleiden.** Bij 'uit de vrije hand' gebruikt u uw handen om het werkstuk te positioneren of te geleiden, in plaats van de langgeleider of de dwarsgeleider. Uit de vrije hand zagen leidt vaak tot verkeerd zagen, klemmen van het zaagblad en terugslag.

h) **Reik nooit in de buurt of over een draaiend zaagblad.** Wanneer u over het zaagblad naar een werkstuk kunt u per ongeluk in contact met zaagblad komen.

i) **Zorg, wanneer u een lang en/of breed werkstuk zaagt, voor extra ondersteuning van het werkstuk achter en/of naast de zaagtafel die even hoog is als het werkblad.** Een lang en/of breed werkstuk heeft de neiging om te scharen op de rand van de tafel, waardoor u de macht over het werkstuk verliest, het zaagblad klemt en het werkstuk terugslaat.

j) **Duw het werkstuk met een gelijkmatige snelheid. Zorg ervoor dat u het werkstuk niet buigt of tordeert. Schakel de machine onmiddellijk uit wanneer er iets beklemd raakt, haal de stekker uit het stopcontact en verwijder pas de oorzaak van de klemming.** Wanneer het zaagblad klemt in het werkstuk kan dat terugslaan of de motor stoppen.

k) **Verwijder geen stukjes materiaal terwijl de zaag draait.** Het materiaal kan beklemd raken tussen de geleider en het zaagblad of in de beschermkap en uw vingers in het zaagblad trekken. Schakel de zaagmachine uit en wacht tot het zaagblad tot stilstand is gekomen voor u materiaal verwijdert.

l) **Gebruik een hulpgeleider die het werkblad raakt wanneer u langssnedes maakt in werkstukken die dunner zijn dan 2 mm.** Een dun werkstuk kan onder de langgeleider schuiven en een terugslag veroorzaken.

### **3) Oorzaken en voorkoming van een terugslag:**

Terugslag is een plotselinge reactie van het werkstuk doordat het zaagblad beklemd raakt of de zaagsnede in het werkstuk niet meer in lijn is met het zaagblad of wanneer een deel van het werkstuk beklemd raakt tussen het zaagblad en de langgeleider of een andere bevestigd object.

Bij een terugslag wordt het werkstuk meestal door het achterste deel van het zaagblad opgetild en weggeschoten in de richting van degene die het werkstuk zaagt.

Een terugslag is het gevolg van het verkeerd gebruik of onjuiste gebruiksomstandigheden van de zaagmachine. Terugslag kan worden voorkomen door geschikte voorzorgsmaatregelen, zoals hieronder beschreven.

- a) **Zaag nooit terwijl u in hetzelfde vlak als het zaagblad staat. Ga altijd aan dezelfde kant van het zaagblad als de langsgeleider.** Bij een terugslag kan het werkstuk met hoge snelheid weggeschoten worden in de richting van degene die voor en in hetzelfde vlak als het zaagblad staat.
- b) **Reik nooit over of achter het zaagblad om het werkstuk te trekken of te ondersteunen.** Onopzettelijk contact met het zaagblad kan leiden tot terugslag of uw vingers in het zaagblad trekken.
- c) **Druk nooit tegen een werkstuk dat wordt gezaagd tegen de richting van het draaiende zaagblad in.** Wanneer u dat doet zal het zaagblad klemmen en het werkstuk terugslaan.
- d) **Lijn de dwarsgeleider evenwijdig aan het zaagblad uit.** Bij een verkeerd uitgelijnde langsgeleider zal het werkstuk tegen het zaagblad klemmen en terugslaan.
- e) **Gebruik een veerlempaat om het werkstuk tegen het werkblad en de geleider te houden bij het maken niet-doorgaande snedes, zoals bij het zagen van sponningen.** Een veerlempaat helpt het werkstuk onder controle te houden bij een terugslag.
- f) **Ga extra voorzichtig te werk bij het maken van zaagsneden in niet zichtbare delen van geassembleerde werkstukken.** Het zaagblad kan verborgen dingen raken en een terugslag veroorzaken.
- g) **Ondersteun grote panelen om de kans dat het zaagblad bekneld raakt en terugslag te verkleinen.** Grote panelen hebben de neiging om door te buigen onder hun eigen gewicht. Alle delen die buiten het werkblad van de machine overhangen moeten worden ondersteund.
- h) **Ga extra voorzichtig te werk bij het zagen van werkstukken die niet recht zijn, noesten bevatten of getordeerd zijn of geen rechte kant hebben wanneer u die met een dwarsgeleider of langs de langsgeleider zaagt.** Een werkstuk dat getordeerd is, noesten bevat of niet recht is, is instabiel en kan ertoe leiden dat de zaagsnede niet recht is en het zaagblad klemt en het werkstuk terugslaat.
- i) **Zaag nooit meerdere werkstukken tegelijk op of naast elkaar.** Het zaagblad kan vastslaan in een of meerdere werkstukken en terugslag veroorzaken.
- j) **Zorg ervoor wanneer u de machine start terwijl het zaagblad in het werkstuk zit, dat het zaagblad midden in de snede zit en de tanden van het zaagblad geen contact maken met het werkstuk.** Als het zaagblad klemt kan dat het werkstuk optillen en terugslag veroorzaken wanneer de machine opnieuw wordt ingeschakeld.
- k) **Gebruik alleen zaagbladen die schoon, scherp en correct gezet zijn. Gebruik nooit zaagbladen die niet vlak zijn, gescheurd zijn of waarvan tanden ontbreken.** Scherp en correct gezette zaagbladen minimaliseren de kans op klemmen van het zaagblad, stoppen van de motor en terugslag.

#### 4) Waarschuwingen bij het gebruiken van een zaagtafel

- a) **Schakel de zaagtafel uit en ontkoppel de accu wanneer u de tafelinzet verwijdert, het zaagblad vervangt of de instelling van het spouwmes, de terugslagbeveiliging of de beschermkap verandert en wanneer de machine ergens onbeheerd staat.** Voorzorgsmaatregelen voorkomen ongevallen.
- b) **Laat de zaagtafel nooit onbeheerd terwijl deze is ingeschakeld. Schakel de machine uit en laat deze pas achter wanneer de zaag volledig tot stilstand is gekomen.** Een onbeheerd ingeschakelde zaag is een ongecontroleerde bron van gevaar.
- c) **Zet de zaagtafel op een goed verlichte en vlakke plaats waar u voldoende ruimte hebt om uw voeten neer te zetten en in evenwicht kunt staan. Er moet voldoende ruimte om de machine zijn om uw werkstuk probleemloos te hanteren.** Kleine, donkere werkplekken en ongelijke, gladde vloeren zijn een garantie voor ongevallen.
- d) **Verwijder regelmatig het zaagsel van onder de zaagtafel en/of uit de stofvanger.** Opgehoopt zaagsel is brandbaar en kan spontaan vlam vatten.
- e) **De zaagtafel moet worden verankerd.** Een zaagtafel die niet goed verankerd is, kan verschuiven of kantelen.
- f) **Verwijder gereedschappen, stukken hout enzovoort van de tafel voor u de zaagtafel inschakelt.** Een gebrek aan aandacht of een potentiële beknelling kan gevaarlijk zijn.
- g) **gebruik altijd zaagbladen met de asgatdiameter en asgatvorm (vierkant of rond).** Zaagbladen met een verkeerde asgatdiameter zullen excentrisch draaien, waardoor u de macht over de machine en/of het werkstuk zult verliezen.
- h) **Gebruik nooit beschadigde bevestigingsmiddelen voor het zaagblad, zoals flenzen, vulringen, bouten of moeren.** Deze bevestigingsmiddelen zijn specifiek ontworpen voor uw zaagtafel, zodat u die veilig en optimaal kunt gebruiken.
- i) **Ga nooit op de zaagtafel staan en gebruik die ook niet als opstapje.** Wanneer het gereedschap kantelt of iemand het zaagblad aanraakt kan ernstig letsel ontstaan.
- j) **Let bij het monteren van de zaag op de juiste draairichting. Gebruik geen slijpstenen, staalborstels of schuur-schijven op een zaagtafel.** Een verkeerde montage van het zaagblad of het gebruik van verkeerde accessoires kan ernstig letsel veroorzaken.

#### Verdere veiligheids- en werkinstructies

Het zagen van lengtesleuven, dwarsleuven en profielen is niet toegestaan.

Draag oorbeschermers. Lawaai kan gehoorverlies veroorzaken.

Draag veiligheidsuitrusting. Bij werkzaamheden met de machine dient u altijd een veiligheidsbril te dragen. Veiligheidskleding zoals stofmasker, veiligheidshandschoenen, stevig en slipvast schoeisel, helm en gehoorbescherming worden aanbevolen.

Stof die vrijkomt tijdens het werken vormt vaak een gevaar voor de gezondheid en mag niet met het lichaam in aanraking komen. Machines met stofafzuiging gebruiken en tevens geschikte stofmaskers dragen. Vrijgekomen stof grondig verwijderen resp. opzuigen.

Waarborg dat de machine altijd veilig staat.



Voordat u de machine de eerste keer gaat gebruiken, is het raadzaam de gebruiksaanwijzing zorgvuldig te lezen en u zich te verdiepen in de toepassingsmogelijkheden van deze machine.

Gebruik geen zaagbladen die beschadigd of vervormd zijn.

Gebruik alleen correct gescherpte zaagbladen.

Gebruik alleen houtbewerkingsbladen aangegeven in deze handleiding die voldoen aan EN 847-1.

Om de geluidsontwikkeling te minimaliseren, moet het gereedschap aangescherpt zijn, en dienen alle elementen om het lawaai tegen te gaan (afdekkingen, etc.) volgens de regels te zijn ingesteld.

Er mag alleen gereedschap worden gebruikt dat in overeenstemming is met de norm EN 847-1.

De gereedschappen moeten in een geschikte houder vervoerd en bewaard worden;

Kies een geschikt zaagblad voor het te zagen materiaal.

Zorg dat het op het zaagblad aangegeven toerental niet wordt overschreden.

Gebruik geen zaagbladen van sneldraaistaal.

Geen schuurschijven plaatsen!

**VERWIJDER ALLE STELSLEUTELS.** Maak er een gewoonte van om te controleren of u alle stelsleutels uit het gereedschap hebt gehaald voordat u het in werking stelt

Defecten aan/storings van de machine, de veiligheidsinrichting of de zaagbladen dienen – zodra zij geconstateerd worden – bij de voor de veiligheid verantwoordelijke persoon gemeld te worden.

Niet aan de draaiende delen komen.

Spanen of splinters mogen bij draaiende machine niet worden verwijderd.

De bovenste beschermkap mag niet als handgreep voor het transport gebruikt worden!

Bij het transport van de machine dient de bovenste beschermkap het bovendeel van het zaagblad af te dekken.

Controleer of de parallelgeleider evenwijdig is met het zaagblad.

Houd de vloer vrij van materiaalresten bijv. spaanders en zaagresten.

Ook wanneer men zich aan alle relevante bouwvoorschriften houdt, kunnen zich bij gebruik van de machine nog gevaarlijke situaties voordoen, bijv. als gevolg van:  
het wegvliegen van werkstukdelen,  
het wegvliegen van werkstukdelen bij beschadigd gereedschap, de geluidsemisatie, de houtstofemissie.

Voor alle werkzaamheden aan de apparat of de accu verwijderen.

**WAARSCHUWING!** Voorkom brand, persoonlijk letsel of materiële schade door kortsluiting en dompel het gereedschap, de wisselaccu en het laadtoestel niet onder in vloeistoffen en waarborg dat geen vloeistoffen in de apparaten en accu's kunnen dringen. Corrosieve of geleidende vloeistoffen zoals zout water, bepaalde chemicaliën, bleekmiddelen of producten die bleekmiddelen bevatten, kunnen een kortsluiting veroorzaken.

Wisselakku's van het Akku-Systeem M18 alléén met laadapparaten van het Akku-Systeem M18 laden. Geen akku's van andere systemen laden.

Wisselakku's en laadapparaten niet openen en alleen in droge ruimtes opslaan. Tegen vocht beschermen.

## WAARSCHUWING



Dit apparaat heeft een type knoopcel-lithiumbatterij. Een nieuwe of gebruikte batterij kan leiden tot ernstige interne verbrandingen en tot de dood in minder dan twee uur indien ingeslikt of in het lichaam geplaatst. Zet de deksel van het batterijvak altijd goed vast. Als het niet goed sluit, het apparaat stoppen, de batterij verwijderen en buiten bereik van kinderen houden. Als u denkt dat iemand een batterij heeft ingeslikt of op een andere manier in het lichaam heeft geplaatst, direct een arts raadplegen.

## VOORGESCHREVEN GEBRUIK VAN HET SYSTEEM

Gebruik uw tafelcirkelzaag uitsluitend om hout en houtproducten te zagen.

Gebruik de tafelcirkelzaag nooit voor het zagen van andere materialen dan in de gebruiksaanwijzing vermeld staan.

Werkstukken met een ronde of onregelmatige doorsnee (bijv. brandhout) mogen niet gezaagd worden, omdat deze bij het zagen niet veilig kunnen worden vastgehouden. Bij het verticaal zagen van platte werkstukken moet een geschikte hulpaanslag worden gebruikt voor een veilige geleiding

Zagen in de lengterichting van de nerf, dwars op de nerf en verstek zagen met een zaagblad.

## RESTERENDE GEVAREN

Zelfs bij correct gebruik van het product kunnen resterende gevaren niet volledig worden uitgesloten. De bediener dient de volgende punten in acht te nemen om eventuele risico's te vermijden:

- De bediener dient geschikte gehoorbescherming te dragen ter vermindering van gehoorschade en de blootstelling aan lawaai zo kort mogelijk te houden.

- De bediener dient maatregelen te treffen om het effect van de vibraties te verminderen en de blootstelling aan vibraties zo kort mogelijk te houden.

- De bediener moet een ademhalingsmasker dragen om risico's voor de gezondheid te vermijden die kunnen ontstaan door het inademen van zaagstof.

## ONDERHOUD

Verwijder de accu voordat u de instellingen van het apparaat aanpast, het apparaat schoonmaakt of onderhoud pleegt.

Zorg ervoor dat het werktuig van de stroomvoorziening wordt ontkoppeld voor u het zaagblad vastmaakt of verwijdert.

Verwijder regelmatig het stof. Verwijder het zaagsel dat zich binnen in de zaag heeft opgestapeld, om brandgevaar te voorkomen.

Vervang een versleten tafelement.

Reinig het apparaat en de veiligheidsinrichting met een droge doek.

Altijd de luchtspleten van de machine schoonhouden.

Gebruik uitsluitend Milwaukee toebehoren en onderdelen. Indien componenten die moeten worden vervangen niet zijn beschreven, neem dan contact op met een officieel Milwaukee servicecentrum (zie onze lijst met servicecentra).

Onder vermelding van het nummer op het machineplaatje is desgewenst een doorsnedetekening van de machine verkrijgbaar bij: Techtronic Industries GmbH, Max-Eyth-Straße 10, 71364 Winnenden, Germany.

## ONE-KEY™

Meer informatie over de ONE-KEY™-functionaliteit van dit gereedschap vindt u in de Quick Start-handleiding die bij dit product is meegeleverd of op <http://www.milwaukeetool.com/one-key>

Van de App Store of Google Play kunt u de ONE-KEY app downloaden naar uw smartphone.

Het testresultaat voldoet aan onze minimumvereisten conform EN 301 489-1 / EN 301 489-17. Daarnaast geven wij de klanten in deze gebruikshandleiding informatie over het gebruik.

## AKKU

Langere tijd niet toegepaste wisselakku's vóór gebruik altijd naladen.

Een temperatuur boven de 50°C vermindert de capaciteit van de accu. Langdurige verwarming door zon of hitte vermijden.

De aansluitkontakten aan het laadapparaat en de accu schoonhouden.

Voor een optimale levensduur moeten de accu's na het gebruik volledig opgeladen worden. Langere tijd niet toegepaste wisselakku's vóór gebruik altijd naladen.

Voor een zo lang mogelijke levensduur van de accu's dienen deze na het opladen uit het laadtoestel te worden verwijderd.

Bij een langere opslag van de accu dan 30 dagen: accu bij ca. 27 °C droog bewaren. accu bij ca. 30 % - 50 % van de laadtoestand bewaren. ,accu om de 6 maanden opnieuw opladen.

Verbruikte akku's niet in het vuur of bij het huisvuil werpen. Milwaukee biedt namelijk een milieuvriendelijke recyclingmethode voor uw oude akku's.

Wisselakku's niet bij metalen voorwerpen bewaren (kortsluitingsgevaar!).

Onder extreme belasting of extreme temperaturen kan uit de accu accu-vloeistof lopen. Na contact met accu-vloeistof direct afwassen met water en zeep. Bij oogcontact direct minstens 10 minuten grondig spoelen en onmiddellijk een arts raadplegen.

In de wisselakku-opnameschacht van het laadapparaat mogen géén metaaldeeltjes komen (kortsluitingsgevaar!).

## OVERBELASTINGSBEVEILIGING VAN DE ACCU

Bij overbelasting van de accu door een zeer hoog stroomverbruik, bijv. extreem hoge draaimomenten, klemmen van het gereedschap, plotselinge stilstand of kortsluiting, stopt het elektrische gereedschap gedurende 2 seconden en schakelt dan automatisch uit. Om het gereedschap weer in te schakelen, moet u de drukschakelaar loslaten en vervolgens weer inschakelen. Onder extreme belastingen wordt de accu te heet. In dit geval schakelt hij uit. Steek de accu in het laadtoestel om hem weer op te laden en te activeren.

## TRANSPORT VAN LITHIUM-IONEN-ACCU'S

Lithium-ionen-accu's vallen onder de wettelijke bepalingen inzake het transport van gevaarlijke goederen.

Voor het transport van deze accu's moeten de lokale, nationale en internationale voorschriften en bepalingen in acht worden genomen.

Verbruikers mogen deze accu's zonder meer over de weg transporteren.

Het commerciële transport van lithium-ionen-accu's door expeditiebedrijven is onderhevig aan de bepalingen inzake het transport van gevaarlijke goederen. De verzendingsvoorbereidingen en het transport mogen uitsluitend worden uitgevoerd door

dienovereenkomstig opgeleide personen. Het complete proces moet vakkundig worden begeleid.

Onderstaande punten moeten bij het transport van accu's in acht worden genomen:

Waarborg ter vermindering van kortsluitingen dat de contacten beschermd en geïsoleerd zijn. Let op dat het accupack in de verpakking niet kan verschuiven. Beschadigde of lekkende accu's mogen niet worden getransporteerd. Neem voor meer informatie contact op met uw expeditiebedrijf.

## EC - VERKLARING VAN OVEREENSTEMMING

We verklaren geheel onder eigen verantwoordelijkheid dat het product in de "Technische data" voldoet aan alle relevante bepalingen van de richtlijnen  
2011/65/EU (RoHS)  
2006/42/EG  
2014/53/EU  
en de volgende geharmoniseerde normen zijn gebruikt.

EN 62841-1:2015  
EN 62841-3-1:2014+AC:2015+A11:2017  
EN 62479:2010  
EN 55014-1:2017+A11:2020  
EN 55014-2:2015  
EN IEC 63000:2018  
EN 301 489-1 V2.2.3  
EN 301 489-17 V3.1.1  
EN 300 328 V2.2.2



Winnenden, 2020-11-11

Alexander Krug / Managing Director  
Gemachtigd voor samenstelling van de technische documenten  
Techtronic Industries GmbH  
Max-Eyth-Straße 10, 71364 Winnenden, Germany



## SYMBOLEN



Graag instructies zorgvuldig doorlezen vóórdat u de machine in gebruik neemt.



OPGELET! WAARSCHUWING! GEVAAR!



Voor alle werkzaamheden aan de apparat de akku verwijderen.



Draag oorbeschermers!

Draag derhalve een geschikt stofbeschermingsmasker.



Bij het werken met de machine altijd een veiligheidsbril dragen.



Draag veiligheidshandschoenen!



Houd de handen altijd buiten het bereik van het zaagblad.



Het apparaat is alléén geschikt voor toepassing in ruimtes, apparaat niet aan regen blootstellen.



Toebehoren - Wordt niet meegeleverd. Is apart leverbaar. Zie hiervoor het toebehorenprogramma.



Veerklempaten en aandrukblokken zijn verkrijgbaar bij een gespecialiseerde leverancier. Gebruik uitsluitend kwalitatief hoogwaardige accessoires.



Elektrische apparaten, batterijen en accu's mogen niet via het huisafval worden afgevoerd. Elektrische apparaten en accu's moeten gescheiden worden verzameld en voor een milieuvriendelijke afvoer worden afgegeven bij een recyclingbedrijf. Informeer bij uw gemeente of bij uw vakhandelaar naar recyclingbedrijven en inzamelpunten.

**n<sub>0</sub>** Onbelast toerental

**V** V~



Gelijkstroom



Europees symbool van overeenstemming



Brits symbool van overeenstemming



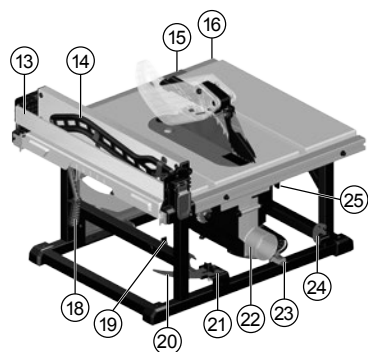
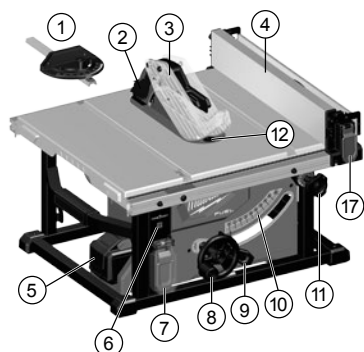
Oekraïens symbool van overeenstemming



Euro-Aziatisch symbool van overeenstemming



| TEKNISKE DATA   |                                    | M18 FTS210                  |
|---|------------------------------------|-----------------------------|
| <b>Bordrundsav</b>  |                                    |                             |
| Produktionsnummer   | 4609 60 02...<br>... 000001-999999 |                             |
| Udskiftningsbatteriets spænding   | 18 V                               |                             |
| Omdrejningstal, ubelastet   | 6300 min <sup>-1</sup>             |                             |
| Frekvensbånd  | 2402-2480 MHz                      |                             |
| Radiofrekvenseffekt   | 1,8 dBm                            |                             |
| Savklinge-ø x hul-ø   | 210 x 30 mm                        |                             |
| Savklinge tykkelse af enhed   | maks. 1,55 mm                      |                             |
| Tykkelse på tænder  | min. 1,8 mm<br>maks. 2,2 mm        |                             |
| Maks. Skæredybde ved 0 / 45°  | 63,5 / 44 mm                       |                             |
| Afstanden mellem parallelanslaget og savklingen maks.   | Venstre<br>Højre                   | 310 mm<br>525 mm / 622 mm   |
| Vægt svarer til EPTA-procedure 01/2014 (Li-Ion 2,0 Ah ... 12,0 Ah)  | 21,2 kg ... 22,3 kg                |                             |
| Anbefalet omgivelsestemperatur til driften  | -18°C ... +50°C                    |                             |
| Anbefalede batteripakker  | M18B... / M18HB...                 |                             |
| Anbefalede opladere   | M12-18... / M1418 C6               |                             |
| <b>Støjinformation</b><br>Måleværdier beregnes iht. EN 62841. Værktøjets A-vurderede støjniveau er typisk:<br>Lydtrykniveau (Usikkerhed K=3dB(A))<br>Lydeffekt niveau (Usikkerhed K=3dB(A)) |                                    | 92,37 dB(A)<br>103,37 dB(A) |
| <b>Brug høreværn!</b>   |                                    |                             |



#### Apparatbeskrivelse

- ① Geringsmål
- ② Anti-tilbageslagsklo
- ③ Spaltekniv med skærm / Skærm til klinge
- ④ Parallelanslag
- ⑤ Batteri
- ⑥ ONE KEY indikator
- ⑦ Hovedafbryder / Afbrydertildækning
- ⑧ Højdejustering håndhjul
- ⑨ Låsehåndtag til smig-skæring
- ⑩ Smigskala
- ⑪ Anslagsjusteringshjul
- ⑫ Stikplade / Stikpladeaflåsnig
- ⑬ Udvidede anslagsklapper
- ⑭ Skubbestang
- ⑮ Kløvningsskala indikator
- ⑯ Kløvningsskala
- ⑰ Anslagsaflåsniger
- ⑱ Anslagslås
- ⑲ Klingeøgle opbevaring / Klingeøgle
- ⑳ Spaltekniv
- ㉑ Spaltekniv / Spaltekniv med skærm opbevaring
- ㉒ Støvskaerm
- ㉓ Geringsmål opbevaring
- ㉔ Anti-tilbageslagsklo opbevaring
- ㉕ Spaltekniv nulstil løftestang

**⚠ ADVARSEL** Læs alle sikkerhedsanvisninger, anvisninger, instruktioner og data, der følger med enheden. I tilfælde af manglende overholdelse af advarselshenvisningerne og instrukserne er der risiko for elektrisk stød, brand og/eller alvorlige kvæstelser. Opbevar alle advarselshenvisninger og instrukser til senere brug.

## **⚠ SIKKERHEDSINSTRUKTIONER FOR BORDSAVE**

### 1) Advarsler relateret til skærmene

- Sørg for, at skærmene sidder, hvor de skal. Skærmene skal være funktionsdygtige og korrekt monteret.** Er en skærm løs, skadet, eller fungerer den ikke korrekt, skal den repareres eller udskiftes.
- Anvend altid en skærm til savklingen, en spaltekniv og en anti-tilbageslagsanordning, når der skal foretages en gennemskæring.** Når der udføres en gennemskæring, hvor savklingen skærer emnet helt igennem, hjælper skærmen og andet sikkerhedsudstyr med at sænke risikoen for personskader.
- Påsat skærmsystemet umiddelbart efter, at et arbejde er blevet udført (f.eks. ved anslag), som kræver, at skærmen, spaltekniven og/eller anti-tilbageslagsanordningen fjernes.** Skærmen, spaltekniven og anti-tilbageslagsanordningen hjælper til at mindske risikoen for personskader.
- Vær sikker på, at savklingen ikke er i kontakt med skærmen, spaltekniven eller arbejdsområdet før kontakten tændes.** Utilsigtet kontakt af disse dele med savklingen kan føre til en farlig situation.
- Juster spaltekniven, som beskrevet i betjeningsvejledningen.** Forkert pladsberegning, placering og indstilling kan være grunden til, at spaltekniven ikke forhindrer tilbageslaget effektivt.
- For at spaltekniven og anti-tilbageslagsanordningen kan arbejde, skal de være placeret i arbejdsområdet.** Spaltekniven og anti-tilbageslagsanordningen er ineffektive, hvis der skæres i arbejdsområdet, som er for korte til at optage spaltekniven og anti-tilbageslagsanordningen. Under disse forhold kan et tilbageslag ikke forhindres af spaltekniven og anti-tilbageslagsanordningen.
- Anvend en spaltekniv, der passer til den isatte savklinge.** For at spaltekniven kan fungere korrekt, skal savklingsens diameter passe til den tilsvarende spaltekniv, og savklingsens korpus skal være tyndere end spalteknivens tykkelse, og savklingsens skærebredde skal være bredere end tykkelsen på spaltekniven.

### 2) Sikkerhedshenvisninger i forbindelse med skærearbejde

- ⚠ FARE:** Hav aldrig dine fingre eller hænder indenfor savklingsområdet, eller ved dens side. Et øjeblik uopmærksomhed eller ved skrid, og dine hænder trækkes mod savklingen, med alvorlig personskade som resultat.
- Arbejdsområdet må kun føres ind til savklingen mod rotationsretningen.** Før arbejdsområdet i samme retning, som savklingen roterer over bordet, kan dette medføre, at arbejdsområdet, og din hånd, trækkes ind i savklingen.
- Anvend aldrig geringsmålet til fremføring af arbejdsområdet, når dette skal kløves, og brug ikke parallelanslaget som længdestop, når der krydskæres med geringsmålet.** Ved at føre arbejdsområdet vha. parallelanslaget og geringsmålet

samtidigt, øges faren for, at savklingen sætter sig fast og dermed tilbageslag.

- Hvis arbejdsområdet skal kløves, skal det altid indføres mellem anslaget og savklingen. Brug en skubbestang, hvis afstanden mellem anslaget og savklingen er mindre end 150 mm, og en skubeblok ved en afstand på mindre end 50 mm.** »Arbejds-hjælpe«-redskaber holder din hånd i en sikker afstand fra savklingen.
- Anvend kun en skubbestang, som kan fås hos producenten, eller som er fremstillet i overensstemmelse med instruktionerne.** Denne skubbestang yder en tilstrækkelig afstand for hånden væk fra savklingen.
- Anvend aldrig en ødelagt eller overskåret skubbestang.** En ødelagt skubbestang kan knække og forårsage, at din hånd kommer ind i savklingen.
- Udfør ikke noget arbejde pr. »frihånd«.** Brug altid enten parallelanslaget eller geringsmålet til at placere og føre arbejdsområdet. »Frihånd« vil sige, at du bruger dine hænder til at støtte eller lede arbejdsområdet, i stedet for et parallelanslag eller geringsmålet. Frihåndsarbejde fører til skævhed, fastklemning og tilbageslag.
- Grib aldrig rundt om eller over et roterende savblad.** Gribes der ud efter et arbejdsområde, kan dette føre til utilsigtet kontakt med den bevægende savklinge.
- Sørg for hjælp til at støtte arbejdsområdet bagved/ eller til siderne af savbordet til lange og/eller brede arbejdsområder, for at holde dem lige.** Et langt og/eller bredt arbejdsområde har tendens til at dreje på bordets kanter, hvilket fører til kontroltab, at savklingen sætter sig fast og videre til tilbageslag.
- Før arbejdsområdet i et jævnt tempo. Arbejdsområdet må ikke bøjes eller drejes. Ved blokering, skal værktøjet slukkes øjeblikkeligt, afbrydes fra nettet, og først da fjernes blokeringen.** Hvis savklingen blokeres af arbejdsområdet, kan dette føre til tilbageslag eller motorstopt.
- Fjern ikke stykker af afskåret materiale mens saven kører.** Materialet kan komme i klemme mellem anslaget eller savklingskærmens inderside, og savklingen, og trække dine fingre ind i savklingen. Sluk for saven og vent, indtil savklingen stopper, før materiale fjernes.
- Anvend et støtteanslag, som er i kontakt med den øverste del af bordet, når arbejdsområdet på mindre end 2 mm tykkelse kløves.** Et tyndt arbejdsområde kan kile sig fast under parallelanslaget og danne et tilbageslag.

### 3) Årsager til og undgåelse af kast (kickback):

Tilbageslag er en pludselig reaktion hos et arbejdsområde ved en presset, blokeret savklinge eller ved at savklingen skærer en skæv linje i arbejdsområdet, eller hvis en del af arbejdsområdet sætter sig fast mellem savklingen og parallelanslaget, eller et andet fastgjort objekt.

Ved et tilbageslag sker det ofte, at arbejdsområdet løftes væk fra bordet ved savklingsens bagerste del, og slynges mod operatøren.

Et kast (kickback) opstår som følge af forkert brug eller misbrug af maskinen. Det kan undgås ved at tage nedenstående forholdsregler.

- Stå aldrig langs med savklingen. Hav altid din krop på samme side af savklingen som anslaget.** Et tilbageslag kan



føre til, at arbejdsmedlemmet med høj hastighed slynges mod enhver, som står foran eller langs med savklingen.

b) **Ræk aldrig over eller bag savklingen for at skubbe eller støtte arbejdsmedlemmet.** Utilslaget kontakt med savklingen kan føre til tilbageslag, og at dine fingre trækkes ind i savklingen.

c) **Hold aldrig på, eller pres ikke arbejdsmedlemmet, som skæres af, mod den roterende savklinge.** Hvis arbejdsmedlemmet presses mod savklingen, mens det skæres, kan der opstå en situation, hvor det sætter sig fast, og at et tilbageslag udløses.

d) **Udjævn anslaget, så det bliver parallelt med savklingen.** Et skævt anslag vil presse arbejdsmedlemmet mod savklingen og medføre et tilbageslag.

e) **Brug et afstandsbræt til at føre arbejdsmedlemmet mod bord og anslag, når snittet ikke skal gå helt igennem, eksempelvis ved falsning.**

Et afstandsbræt hjælper med at kontrollere arbejdsmedlemmet i tilfælde af et tilbageslag.

f) **Vær ekstra opmærksom, når du laver et snit ind i et blindt område på et arbejdsmedlem, som er blevet sat sammen.** Den fremragende savklinge kan skære objekter, som kan forårsage tilbageslag.

g) **Støt store paneler for at minimere risikoen for presning med savklingen og tilbageslag.** Store paneler har tendens til at synke under deres egen vægt. Støtte(r) skal placeres under alle de dele af panelet, som rager ud over bordet.

h) **Vær ekstra forsigtig når der skæres i et arbejdsmedlem, som er forvredet, knudet eller krumt, eller som ikke har nogen lige kanter til at føre det med et geringsmål eller langs anslaget.** Et krumt, knudet, eller forvredet arbejdsmedlem er ustabil og bevirker, at savsnittet med savklingen bliver skævt, sætter sig fast og slår tilbage.

i) **Skær aldrig i mere end et arbejdsmedlem, som er stablet vandret eller lodret.** Der er risiko for, at savklingen samler et eller flere stykker op, og forårsager tilbageslag.

j) **Hvis saven skal genstartes med savklingen i arbejdsmedlemmet, skal savklingen placeres midt i hakket, således at savtænderne ikke er beskæftiget i materialet.** Hvis savklingen sidder fast, er der risiko for, at den løfter arbejdsmedlemmet op og forårsager et tilbageslag, når saven startes igen.

k) **Hold savklingen ren, skarp, og med et tilstrækkeligt hold. Brug aldrig en krum savklinge, eller en savklinge med revnede og knækkede tænder.** Skarpe savklinger, som sidder ordentligt mindsker risikoen for fastsættelse, henholdelse og tilbageslag.

#### 4) Advarsler i forbindelse med driften af bordsaven

a) **Sluk for bordsaven og afbryd batteripakken, når indvendige komponenter skal fjernes, savklingen udskiftes, eller når spaltekniiven, anti-tilbageslagsanordningen eller klingskærmen skal justeres, og når maskinen forlades uden opsyn.** Ulykker undgås ved at foretage forholdsregler.

b) **Forlad aldrig en kørende sav uden opsyn. Sluk den, og forlad ikke værktøjet før den er stoppet fuldstændigt.** En kørende sav uden opsyn udgør en ukontrolleret fare.

c) **Placér bordsaven på et jævnt, godt oplyst område, hvor du har god fodfæste og kan holde balancen. Den skal tilsættes i et område med tilstrækkelig plads til håndteringen**

**af størrelsen på dit arbejdsmedlem.** Snævre, mørke områder, og ujævne, glatte gulve inviterer til ulykker.

d) **Rengør og fjern savsmuld under savbordet og/eller fra apparatet til opsamling af savsmuld hyppigt.** Ophobet savsmuld er brændbart og kan være selv-antændende.

e) **Bordsaven skal være sikret.** Hvis en bordsav ikke er tilstrækkeligt sikret, er der risiko for, at den vipper over.

f) **Fjern værktøj, trærester, osv. fra bordet før saven tændes.** Distrahering eller risiko for blokering kan være farligt.

g) **Anvend altid savklinger, der har den rigtige størrelse og som passer til holdeflangens huller (rudeformet eller rund).** Savklinger, der ikke passer til savens monteringsdele, løber ikke rundt, hvorved du mister kontrollen.

h) **Anvend aldrig beskadigede eller forkerte monteringsdele til savklingen, som f.eks. savklinge- spændeskiver eller møtrikker og skruer.** Disse komponenter er specielt udviklet til din sav, for en sikker brug og optimal ydelse.

i) **Stå aldrig på en bordsav, brug den ikke som taburet.** Der er risiko for alvorlige personskader, hvis værktøjet vælter, eller ved utilsigtet kontakt med skæreværktøjet.

j) **Vær sikker på, at savklingen er påsat til at kunne rotere i den rigtige retning. Anvend ikke slibe-, skureskiver, eller stålbørster på en bordsav.** Påsættes savklingen forkert, eller anvendes der noget tilbehør, som ikke er anbefalet, kan dette føre til alvorlige personskader.

#### Yderligere sikkerheds- og arbejdsinformationer

Panelskæring, omsavning og skæring af fordybelse er ikke tilladt.

Bær hørevern. Støjen kan føre til nedsat hørelse.

Brug beskyttelsesudstyr. Bær altid sikkerhedsbriller, når du arbejder med maskinen. Vi anbefaler desuden brug af personlig beskyttelsesudrustning, såsom støvmaske, sikkerhedshandsker, fast og skridsikkert skotøj, hjelm og hørevern.

Støv, som opstår i forbindelse med fræsearbejdet, er ofte sundhedsskadeligt og må ikke trænge ind i kroppen. Brug en støvsuger og bær en egnet støvbeskyttelsesmaske. Fjern grundigt aflejret støv (f.eks. ved opugning).

Sørg for, at maskinen altid står stabilt (fastgør den f.eks.

Det anbefales at læse brugsanvisningen grundigt igennem, før maskinen tages i brug første gang, og lade sig instruere i den praktiske håndtering.

Benyt ikke savblade, der er beskadiget eller deformeret.

Brug kun savklinger, som er ordentligt skærpede.

Til træbearbejdning må kun anvendes klinger angivet i denne vejledning, som lever op til EN 847-1.

For at minimere støjudviklingen bedst muligt skal værktøjet være sletbet, og alle dele til støjreduktion (afdækninger osv.) skal være indstillet korrekt.

Der må kun anvendes værktøj, som opfylder EN 847-1.

Værktøjerne skal opbevares og transporteres i dertil egnede beholdere;

Vælg en savklinge, som passer til det emne, der skal skæres over.

Det maksimale omdrejningstal, som står angivet på savklingen, må ikke overskrides.

Brug ikke savklinger, som er fremstillet af high-speed stål.

Slibeskiver må ikke indsættes



**TAG SPÆNDENØGLERNE UD.** Husk at se efter, om spændenøglerne er taget ud, inden værktøjet sættes i gang.

Fejl i maskinen, inklusiv beskyttelsesanordning eller savklinger, skal straks meddeles den sikkerhedsansvarlige.

Pas på ikke at få hånden ind i maskinen.

Spåner eller splinter må ikke fjernes, medens maskinen kører.

Den øvre beskyttelseskærm må ikke anvendes som transportmulighed!

Under transport af maskinen skal den øvre beskyttelseskærm dække over den øverste del på savklingen.

Se efter, om parallelsavestyret sidder parallelt med klingens.

Hold bunden fri for materialerester f.eks. spåner og rester fra savningen.

På trods af overholdelse af alle relevante byggeforskrifter kan der opstå faresituationer, når maskinen betjenes, fx gennem:

vækflyvende materialedele;  
vækflyvende værktøjsdele ved defekt værktøj, lydemonitioner, emission af træstøv.

Ved arbejde inden i maskinen, bør batteriet tages ud.

**ADVARSEL!** For at undgå risiko for brand, kvæstelser eller beskadigelse af produktet forårsaget af kortslutning må værktøjet, batteripakken eller opladeren ikke nedsænkes i vand. Sørg ligeledes for, at der ikke trænger væske ind i enhederne og batterierne. Korroderende eller ledende væsker, f.eks. saltvand, bestemte kemikalier, blegestoffer eller produkter, som indeholder blegestoffer, kan forårsage kortslutning.

Brug kun M18 ladeapparater for opladning af System M18 batterier.

Udskiftningsbatterier og opladere må ikke åbnes og skal opbevares i tørre rum. Beskyt dem mod fugtighed.

#### ADVARSEL



Dette apparat indeholder et knapcelle litium batteri. Et nyt eller brugt batteri kan forårsage alvorlige indre forbrændinger og medføre døden på kun 2 timer, hvis det sluges eller kommer ind i kroppen. Batterihusets lukning skal altid være sikret. Hvis det ikke lukkes sikkert, stop apparatet, fjern batteriet og hold det udenfor børns rækkevidde. Hvis du har mistanke om, at nogen har slugt batteriet eller at det er kommet ind i kroppen på anden måde, skal du opsoge en læge med det samme.

#### TILTÆNKT FORMÅL

Anvend kun denne bordrundsav til savning af træ og træprodukter.

Anvend ikke bordrundsaven til overskæring af emner, som ikke står nævnt i betjeningsvejledningen.

Arbejdsemner med rundt eller uregelmæssigt tværsnit (f.eks. brænde) må ikke saves, da sådanne emner ikke kan holdes sikkert under savningen. Ved savning på højkant af flade arbejdsemner skal der benyttes et egnet hjælpeanslag for sikker føring.

Kløvning, krydsskæring, geringskæring og smigskæring ved maks. kun at anvende et monteret savblad.

#### RESTRISICI

Selv hvis produktet bruges korrekt, kan restrisici ikke helt udelukkes. Ved brug kan følgende risici opstå, og derfor bør brugeren lægge mærke til det følgende:

- For at undgå høreskader skal eksponeringstiden begrænses, og der skal bruges egnet hørevern.

- Brugeren bør træffe forholdsregler for at reducere virkningerne af vibrationerne og begrænse eksponeringstiden.

- Der skal bruges en støvmaske for at undgå helbredsrisici, der kan opstå ved indånding af savstøv.

#### VEDLIGEHOLDELSE

Fjern batteripakken inden du starter enhver form for justering, rengøring og vedligeholdelse af apparatet.

Husk at afbryde værktøjet fra strømforsyningen inden montering eller udtagning af savklingen.

Fjern regelmæssigt støvet. Fjern savspånerne, der har samlet sig inde i saven, for at undgå risici for brand.

Udskift en slidt bordindsats.

Rengør maskinen og beskyttelsesudstyret med en tør klud.

Hold altid maskinens ventilationsåbninger rene.

Brug kun Milwaukee-tilbehør og Milwaukee-reservedele.

Komponenter, hvor udskiftningsproceduren ikke er beskrevet, skal skiftes ud hos et Milwaukee-servicested (se brochure garanti/kundeserviceadresser).

Ved opgivelse af type nr. der er angivet på maskinens effektskilt, kan de rekvirere en reservedelstegning, ved henvendelse til: Techtronic Industries GmbH, Max-Eyth-Strasse 10, 71364 Winnenden, Germany.

#### ONE-KEY™

For at læse mere om dette apparats ONE-KEY funktionalitet, så se venligst quick start guiden, der følger med dette produkt, eller besøg <http://www.milwaukeetool.com/one-key>

Du kan downloade ONE-KEY-app'en til din smartphone fra App Store eller Google Play.

Kontrolresultatet opfylder vores minimumskrav iht. EN 301 489-1 / EN 301 489-17. Og vi sørger for, at kunden får driftsvejledningen som del af vores brugervejledning.

#### BATTERI

Udskiftningsbatterier, der ikke har været brugt i længere tid, efterlades inden brug.

Ved temperaturer over 50°C formindskes batteriets effekt. Undgå direkte sollys og stærk varme.

Tilslutningskontakterne på oplader og udskiftningsbatterier skal holdes rene.

For at opnå en optimal levetid skal de genopladelige batterier oplades fuldt efter brug. Udskiftningsbatterier, der ikke har været brugt i længere tid, efterlades inden brug.

For at sikre en så lang levetid som muligt skal batterierne tages ud af ladeaggregatet efter opladning.

Skal batterierne opbevares længere end 30 dage: Temperatur ca. 27°C i tørre omgivelser. Opbevares ved ca. 30%-50% af ladetilstanden. Batteri skal genoplades hver 6. måned.

Opbrugte udskiftningsbatterier må ikke brændes eller kasseres sammen med alm. husholdningsaffald. Milwaukee har en miljørigtig bortskaffelse af gamle udskiftningsbatterier, henvend Dem til Deres forhandler.

Opbevar ikke udskiftningsbatterier sammen med metalgenstande fare for kortslutning.

I tilfælde af en ekstrem belastning eller ekstrem temperatur kan der flyde batterivæske ud af et beskadiget batteri. Hvis De kommer i berøring med batterivæsken, skal den vaskes godt og grundigt af med vand og sæbe. I tilfælde af øjenkontakt, skal man mindst skylle øjnene godt og grundigt igennem i 10 minutter og omgående opsoge en læge.

Metaldele o.lign må ikke komme i berøring med rummet beregnet for udskiftningsbatteriet (kortslutningsfare).

## OVERBELASTNINGSSIKRING FOR BATTERI

Ved overbelastning af akkumulatoren på grund af et meget højt strømforbrug, f.eks. ekstremt høje drejningsmomenter, klemning af det indsatte værktøj, pludseligt stop eller kortslutning, stopper el-værktøjet i 2 sekunder og slukker automatisk. For at tænde igen slippes trykknappen, hvorefter du tænder el-værktøjet igen. Under ekstreme belastninger kan batteriet blive meget varmt. I så fald kobler batteriet fra. Sæt batteriet i ladeadapteren for at genoplade det og aktivere det.

## TRANSPORT AF LITHIUM-BATTERIER

Lithium-batterier er omfattet af lovgivningen om transport af farligt gods.

Transporten af disse batterier skal ske under overholdelse af lokale, nationale og internationale regler og bestemmelser.

Forbrugere må transportere disse batterier på veje uden yderligere krav.

Den kommercielle transport af lithium-batterier ved speditorsfirmaer er omfattet af reglerne for transport af farligt gods. Forberedelsen af forsendelse og transport må kun udføres af tilsvarende trænedede personer. Den samlede proces skal følges af fagfolk.

Følgende punkter skal overholdes ved transport af batterier:

Sørg for at kontakterne er beskyttet og isoleret for at forhindre kortslutninger. Sørg for at batteripakken ikke kan bevæge sig inden for emballagen. Beskadigede eller lækkende batterier må ikke transporteres. Kontakt dit speditorsfirma for at få yderligere oplysninger.

## CE-KONFORMITETSERKLÆRING

Vi erklærer som eneansvarlige, at produktet, som beskrives under „Tekniske data“, opfylder alle de relevante bestemmelser i direktiverne

2011/65/EU (RoHS)

2006/42/EF

2014/53/EU

og følgende harmoniserede standarder er blevet anvendt.

EN 62841-1:2015

EN 62841-3-1:2014+AC:2015+A11:2017

EN 62479:2010

EN 55014-1:2017+A11:2020

EN 55014-2:2015

EN IEC 63000:2018

EN 301 489-1 V2.2.3

EN 301 489-17 V3.1.1

EN 300 328 V2.2.2



Winnenden, 2020-11-11

Alexander Krug / Managing Director  
Autoriseret til at udarbejde de tekniske dokumenter.

Techtronic Industries GmbH  
Max-Eyth-Strasse 10, 71364 Winnenden, Germany

## SYMBOLER



Læs brugsanvisningen nøje før ibrugtagning.



VIGTIGT! ADVARSEL! FARE!



Ved arbejde inden i maskinen, bør batteriet tages ud.



Brug høreværn!

Benyt egnet åndedrætsværn.



Når der arbejdes med maskinen, skal man have beskyttelsesbriller på.



Brug beskyttelseshandsker!



Hold altid hænderne væk fra savbladets område.



- Maskinen er kun egnet til indendørsbrug, maskinen må ikke udsættes for regn.



Tilbehør - Ikke inkluderet i leveringsomfanget, køb købes som tilbehør.



Afstandsbrædder og skubbeblokke fås hos specialforhandlere. Anvendeligst udelukkende tilbehør i høj kvalitet.



Elektrisk udstyr eller (genopladelige) batterier må ikke bortskaffes sammen med det almindelige husholdningsaffald. Elektrisk udstyr og genopladelige batterier skal indsamles særskilt og afleveres hos en genbrugsvirksomhed til en miljømæssig forsvarlig bortskaffelse. Spørg de lokale myndigheder eller din forhandler om genbrugsstationer og indsamlingssteder til sådant affald.

**n<sub>0</sub>**

Omdrejningstal, ubelastet

**V**

Veksel-spænding

**≡**

Jævnstrøm

**CE**

Europæisk konformitetsmærke

**UK  
CA**

Britisk konformitetsmærke

**001**

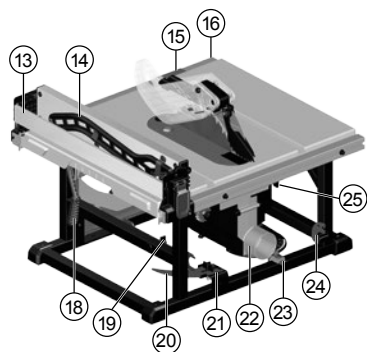
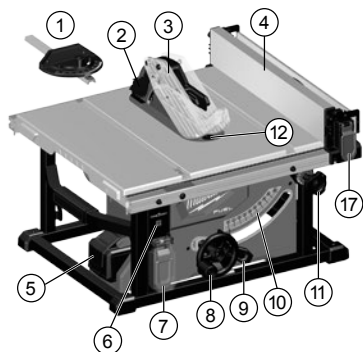
Ukrainsk konformitetsmærke

**EAC**

Eurasisk konformitetsmærke



| TEKNISKE DATA  |                                    | M18 FTS210                  |
|--|------------------------------------|-----------------------------|
| <b>Bordsirkelsag</b>   |                                    |                             |
| Produksjonsnummer  | 4609 60 02...<br>... 000001-999999 |                             |
| Spenning vekselbatteri   | 18 V                               |                             |
| Tomgangsturtall  | 6300 min <sup>-1</sup>             |                             |
| Frekvensbånd   | 2402-2480 MHz                      |                             |
| Sendeeffekt  | 1,8 dBm                            |                             |
| Sagblad-ø x hull-ø   | 210 x 30 mm                        |                             |
| Tykkelse på sagbladhus   | maks. 1,55 mm                      |                             |
| Tykkelse på tann   | minimum 1,8 mm<br>maks. 2,2 mm     |                             |
| Maks. Kuttdybde ved 0 / 45°  | 63,5 / 44 mm                       |                             |
| Avstand mellom parallellanlegg og sagblad maks.  | Venstre<br>Høyre                   | 310 mm<br>525 mm / 622 mm   |
| Vekt i henhold til EPTA-Prosedyren 01/2014 (Li-Ion 2,0 Ah ... 12,0 Ah)   | 21,2 kg ... 22,3 kg                |                             |
| Anbefalt omgivelsestemperatur for drift  | -18°C ... +50°C                    |                             |
| Anbefalte batteripakker  | M18B... / M18HB...                 |                             |
| Anbefalte ladere   | M12-18... / M1418 C6               |                             |
| <b>Støyinformasjon</b><br>Måleverdier fastslått i samsvar med EN 62841. Det typiske A-bedømte støynivået for maskinen er:<br>Lydtrykknivå (Usikkerhet K=3dB(A))<br>Lydeffektnivå (Usikkerhet K=3dB(A)) |                                    | 92,37 dB(A)<br>103,37 dB(A) |
| <b>Bruk hørselsvern!</b>   |                                    |                             |



#### Beskrivelse av verktøyet

- ① Gjæringsmåler
- ② Anti-kast-haker
- ③ Spaltekniv med beskyttelse / Sagbladbeskyttelse
- ④ Parallellanlegg
- ⑤ Batteri
- ⑥ ONE KEY-viser
- ⑦ Strømbryter / Deksel til AV/PÅ-bryter
- ⑧ Håndhjul for høydejustering
- ⑨ Låsespak for vinkelinnstilling
- ⑩ Vinkelmåler
- ⑪ Hjul for å justere parallellanlegg
- ⑫ Bordinnlegg / Bordinnlegg spake
- ⑬ Parallellanlegg for bordforlengelsen
- ⑭ Skyvespake
- ⑮ Måler for parallellanlegg Viser
- ⑯ Måler for parallellanlegg
- ⑰ Klaffer for parallellanlegg
- ⑱ Låser for parallellanlegg
- ⑲ Skiftnøkkel for sagbladet Hylle / Skiftnøkkel for sagbladet
- ⑳ Spaltekniv
- ㉑ Spaltekniv / Spaltekniv med beskyttelse Hylle
- ㉒ Støvsamler
- ㉓ Gjæringsmåler Hylle
- ㉔ Anti-kast-haker Hylle
- ㉕ Spaltekniv Utløser

**⚠ ADVARSEL** Les alle sikkerhetsanvisninger, instruksjoner, bildeforklaringer og data som fulgte med maskinen. Feil ved overholdelsen av advarslene og nedenstående anvisninger kan medføre elektriske støt, brann og/eller alvorlige skader. **Ta godt vare på alle advarslene og informasjonene.**

## **⚠ SIKKERHETSREGLER FOR BORDSAG**

### 1) Advarsler for sagbladbeskyttelsen

- All beskyttelse må være på plass. Det må være funksjonsdyktig og montert på riktig måte.** Dersom beskyttelsen er løs, ødelagt eller ikke fungerer som den skal må den repareres eller bytes ut.
- Sagbladbeskyttelse, spaltekniven og anti-kastutstyret må alltid brukes når noe skal klyves i to.** For arbeid hvor noe skal klyves helt og der sagbladet kutter helt gjennom hele tykkelsen på arbeidsstykket, bidrar beskyttelsesutstyret og annet sikkerhetsutstyr til å redusere risikoen for skade.
- Beskyttelsessystemet må kobles på igjen umiddelbart etter arbeid som krever at beskyttelsen, spaltekniven og/eller anti-kastutstyret fjernes (som for eksempel falsing).** Beskyttelsen, spaltekniven og anti-kastutstyret reduserer risikoen for skade.
- Forsikre deg om at sagbladet ikke berører beskyttelsen, spaltekniven eller arbeidsstykket før sagen er slått på.** Utilsiktet kontakt med mellom disse delene og sagbladet kan forårsake en farlig situasjon.
- Juster spaltekniven som beskrevet i bruksanvisningen.** Feil måling, posisjonering eller justering kan gjøre spaltekniven ineffektiv med tanke på å redusere kast.
- For at spaltekniven og anti-kastutstyret skal virke, må de ha kontakt med arbeidsstykket.** Spaltekniven anti-kastutstyret er ineffektive når det skjæres i arbeidsstykker, som er for korte til å komme i kontakt med spaltekniven og anti-slagutstyret. I en slik situasjon er det umulig for spaltekniven og slagutstyret å forhindre slag.
- Bruk en passende spaltekniv for det innsatte sagbladet.** For at spaltekniven skal fungere riktig, må sagbladets diameter være den samme som hos spaltekniven som er brukt. Og sagbladet må være tynnere enn tykkelsen på spaltekniven. Sagbladets skjærebredde må være bredere enn tykkelsen på spaltekniven.

### 2) Advarsler for klyveprosessen

- ⚠ FARE:** Du må aldri holde fingrene eller hendene i nærheten eller på linje med sagbladet. Et ukonsentrert øyeblikk eller en utglidning kan føre hånden din mot sagbladet og forårsake alvorlige personskader.
- Arbeidsstykket skal kun føres mot sagbladet mot roteringsretningen.** Dersom arbeidsstykket føres mot sagbladet i den retningen det roterer på oversiden av bordplaten, kan dette føre til at arbeidsstykket og hendene dine blir trekt inn mot sagbladet.
- Gjæringsmåleren må aldri brukes til å mate arbeidsstykket inn i sagen når du sager på langs av treverket. Parallellanlegget skal heller ikke brukes som lengdemåler når du sager på skrått med gjæringsmåleren.** Dersom du bruker parallellanlegget og gjæringsmåleren samtidig til å styre

arbeidsstykket, vil dette øke sannsynligheten for at sagbladet klemmes fast eller for kast.

- Når du sager på langs, må du alltid bruke materen mellom arbeidsstykket, parallellanlegget og sagbladet. Bruk en skyvespake dersom avstanden mellom parallellanlegget og sagbladet er mindre enn 150 mm, og bruk en skyvekloss dersom avstanden er mindre en 50 mm.** Utstyr som «hjelper deg med arbeidet» vil hjelpe deg å holde hendene på sikker avstand fra sagbladet.
  - Bruk kun skyvespaken fra produsenten eller en som er konstruert i henhold til anvisningene.** Skyvespaken skaper tilstrekkelig avstand mellom hånden og sagbladet.
  - Bruk aldri en ødelagt eller skjært skyvespake.** En ødelagt skyvespake kan føre til at hånden din sklir mot sagbladet.
  - Utfør aldri «frihåndsovelser».** Du må alltid bruke parallellanlegget eller gjæringsmåleren til å posisjonere og føre arbeidsstykket. «Frihåndsovelser» betyr at du støtter eller fører arbeidsstykket med hendene, i stedet for et parallellanlegg eller en gjæringsmåler. Frihåndssaging fører til ujevnheter, kast og at sagbladet klemmes fast.
  - Strekk deg aldri rundt eller over et roterende sagblad.** Dersom du strekker deg etter et arbeidsstykket, kan dette føre til at du kommer i kontakt med det roterende sagbladet utilsiktet.
  - Sørg for at arbeidsstykket har ekstra støtte på baksiden og / eller på sidene av sagbordet, for lange og / eller brede arbeidsstykker for å holde dem på riktig nivå.** Et langt og / eller et bredt arbeidsstykke har en tendens til å dreie seg på kanten av bordet. Dette kan føre til at du mister kontrollen, kast, eller at sagbladet klemmes fast.
  - Arbeidsstykket skal mates inn i sagen i en jevn fart, og ikke bøyes eller vris.** Dersom arbeidsstykket klemmes fast, må du skru av sagen umiddelbart. Trekk ut kontakten før du løsner arbeidsstykket. Dersom arbeidsstykket klemmer seg fast i sagbladet kan dette føre til kast eller at motoren stopper.
  - Ta aldri ut rester fra sagingen mens sagen går.** Materialet kan sette seg fast mellom parallellanlegget eller på innsiden av sagbladbeskyttelsen og sagbladet, dette kan trekke fingrene dine inn mot sagbladet. Slå av sagen og vent til sagbladet stopper før du fjerner materialet.
  - Bruk et ekstra parallellanlegg sammen med bordet når du sager på lang i arbeidsstykker, som er tynnere en 2 mm.** Et tynt arbeidsstykke kan kile seg fast under parallellanlegget og føre til kast.
- ### 3) Årsaker til tilbakeslag og hvordan tilbakeslag kan unngås.
- Kast er en plutselig reaksjon av arbeidsstykket på grunn av et fastklemt, fastkjørt sagblad. Eller et snittet i arbeidsstykket er feiljustert i forhold til sagbladet. Eller når en del av arbeidsstykket sitter fast mellom sagbladet og parallellanlegget eller annet fastmontert objekt.
- Ved et kast vil arbeidsstykket som regel løftes opp fra bordet av den bakre enden av sagbladet og kaste det mot brukeren av sagen.
- Et tilbakeslag er resultat av en gal eller feilaktig bruk av sagen. Det kan unngås ved å følge egnede sikkerhetstiltak som beskrevet nedenstående.
- Stå aldri direkte på linje med sagbladet. Du skal alltid stå med kroppen plassert på samme side av sagbladet**



**som parallellanlegget.** Et kast kan katapultere arbeidsstykket i høy hastighet mot noen som står rett foran eller på linje med sagbladet.

**b) Strekk deg aldri over eller bak sagbladet for å trekke ut eller støtte arbeidsstykket.** Dette kan føre til utilsikket kontakt med sagbladet, eller et kast kan trekke fingrene dine mot sagbladet.

**c) Arbeidsstykke som sages må aldri holdes eller presses mot det roterende sagbladet.** Dersom du presser arbeidsstykket som sages mot sagbladet kan dette føre til at det klemmes fast eller et kast.

**d) Juster parallellanlegget slik at der er parallelt med sagbladet.** Et feiljustert parallellanlegg vil klype arbeidsstykket mot sagbladet og forårsake et kast.

**e) Dersom du skal lage et kutt som ikke går helt igjennom, f.eks. falsing, må du bruke et fjærbrett til å føre arbeidsstykket mot bordet og parallellanlegget.**

Fjærbrettet hjelper deg å holde kontrollen på arbeidsstykket ved et kast.

**f) Vær ekstra forsiktig når du sager på steder du ikke ser, på allerede monterte produkter.** Utstående sagblad kan skjære i objekter, som kan føre til kast.

**g) Støtt opp store paneler for å redusere risikoen for at sagbladet klemmes fast og kast.** Store paneler har en tendens til å trekkes nedover av sin egen vekt. Du må sette opp støtter for alle delene av panelet som henger over kanten på bordet.

**h) Vær ekstra forsiktig når du skjærer i arbeidsstykker som er vridd, knotet, ruglet eller som ikke har rette kanter, som kan føres med gjæringsmåleren eller kan legges mot parallellanlegget.** Et ruglet, knotet eller vridd arbeidsstykke er ustabil og kan forårsake feiljusterte snitt og at sagbladet klemmes fast eller kast.

**i) Sag aldri i mer enn ett stykke, enten det er stabilt vertikalt eller horisontalt.** Sagbladet kan hekte seg fast i en eller flere deler og forårsake kast.

**j) Når du starter sagen igjen med sagbladet i arbeidsstykket, må du sentrere sagbladet i snittet slik at tennene på sagbladet ikke er kontakt med materialet.** Dersom sagbladet henger fast, kan det løfte opp sagbladet når sagen starter.

**k) Hold sagbladet rent, skarpt og riktig justert. Bruk aldri bulkete sagblad eller sagblad som har rifter eller brekte tenner.** Skarpe og riktig justerte sagblad reduserer fastklemming, kast eller at den stopper.

#### **4) Advarsler for bruk av bordsagen**

**a) Skru av bordsagen og koble fra batteriet når du fjerner bordinnlegget eller gjør justeringer på spaltekniven, anti-slagutstyret eller sagbladbeskyttelsen og når maskinen er uten oppsyn.** Forhåndsregler vil unngå ulykker.

**b) La aldri bordsagen stå å gå uten tilsyn. Skru den av og bli ved saken til den er stoppet helt.** En løpende sag uten tilsyn er en ukontrollert fare.

**c) Plasser bordsagen på en plass med et jevnt underlag med godt lys, hvor du har godt fotfeste og kan holde god balanse. Sagen skal settes opp i et rom med nok plass for å arbeide med størrelsen på dine arbeidsstykker.** Fullpakke, mørke rom med ujevnt underlag er som å be om et uhell.

**d) Gjør ren sagen regelmessig og fjern sagflis som ligger under sagbordet og/eller støvsamlere.** Sagflis som samles opp over tid er brennbar og selvantennende.

**e) Bordsagen må være sikret.** Dersom bordsagen ikke er sikret ordentlig, kan den bevege seg eller brikke om.

**f) Fjern verktøy, trefliser etc. fra bordet før du starter saken.** Forstyrrelser eller en mulig blokkering kan være farlig.

**g) Bruk alltid sagblad i har samme størrelse og form (diamant eller rund) i skru hullene.** Sagblader som ikke passer i festet, betyr at saken vil komme ut av stilling og som igjen fører til tap av kontroll.

**h) Bruk aldri ødelagt eller feil utstyr for å feste sagbladet, som for eksempel flenser, skiver, bolter eller muttere.** Dette utstyret er laget spesielt for din sag, for sikker og optimalt bruk.

**i) Stå aldri på sagbordet, og ikke bruk det til å stå på.**

Det kan forårsake alvorlige skader dersom verktøyet brikker eller dersom du berører verktøyet utilsikket.

**j) Forsikre deg om at sagbladet er satt i slik at det roterer i riktig retning. Ikke bruk slipeskiver, stålborster, slipehjul på bordsagen.** Feil montering av sagbladet og bruk at utstyr som ikke er anbefalt kan forårsake alvorlige skader.

#### **Ytterlige sikkerhets- og arbeidsinstruksjoner**

Sage i brysthøyde, pløging, ettersaging eller forming er ikke tillatt.

Bruk hørselsvern. Støy kan føre til tap av hørselen.

Bruk vernebekledning. Ta alltid på vernebrille ved bruk av maskinen. Vernebekledning så vel som støvmaske, vernehansker, fast og sklissikkert skotøy, hjem og hørselsvern er anbefalt.

Støv som oppstår under arbeidet er ofte helsefarlig og bør ikke komme inn i kroppen. Bruk støvavsug og i tillegg egnete støvbeskyttelsesmaske. Fjern oppsamlet støv grundig, f.eks. oppsuging.

Kontroller at maskinen alltid står stabil.

Det anbefales å lese bruksanvisningen omhyggelig og bli instruert i den praktiske håndteringen før apparatet tas i bruk første gang.

Bruk ingen sageblad som er skadet eller deformert

Bruk bare ordenlig slipte sageblad.

Bare blad egnet for tre-arbeide bør benyttes, i følge retningslinjer i håndboken EN 847-1.

For å minimere støytusslipp må du sørge for at verktøyet er riktig slipt/kvesset. Alle elementer for støyreduksjon (deksler osv.) må være riktig innstilt.

Bruk bare verktøy som er i samsvar med EN 847-1.

Verktøyene må oppbevares og transporteres i egnet beholder;

Bruk sagblad som er egnet for materialet som skal sages.

Det på sagebladet angitte maksimum omdreiningstallet må overholdes.

Bruk ingen sageblad laget av hurtigstål.

Bruk ikke slipeskiver.

FJERN SKRUNØKLENE. Venn deg til å sjekke at skrunøkylene er fjernet fra verktøyet før du starter det.

Feil i maskinen, også innebefattet verneinnretningen eller sagebladene, skal med en gang de oppdages, meldes til personen som er ansvarlig for sikkerheten.

Ikke grip inn i fareområdet mens maskinen er i gang.

Spon eller fliser må ikke fjernes mens maskinen er i gang.

Det øverste verne-dekselet skal ikke brukes som bærehåndtak!



Under transport av maskinen skal det øverste verne-dekselet dekke øverste del av sagbladet.

Sjekk at parallellslaget ligger parallelt med bladet.

Gulver skal være fritt for spon og sagerester.

Selv om alle gjeldende byggeforskrifter overholdes, kan det oppstå farlige situasjoner når maskinen er i bruk, for eksempel på grunn av emnedeler som slynges vekk  
verktøydeler som slynges vekk fordi verktøyet er defekt støytutslipp utslipp av trestøv

Ta ut vekselbatteriet før du arbeider på maskinen

**ADVARSEL!** For å unngå fare for en brann forårsaket av en kortslutning, av personskader eller skader av produktet, må det forhindres at batteripakken eller laderen dryppes i væsker og også sørges for at ingen væsker kan komme inn i apparatene eller batteriene. Korroderende og ledende væsker som saltvann, visse kjemikalier og blekemidler eller produkt som inneholder blekemidler kan forårsake en kortslutning.

Vekselbatterier av systemet M18 skal kun lades med lader av systemet M18. Ikke lad opp batterier fra andre systemer.

Ikke åpne vekselbatterier og ladere, de skal oppbevares i tørre rom. Beskyttes mot fuktighet.

### ADVARSEL



Apparatet bruker knapp/myntcelle lithiumbatteri. Et nytt eller brukt batteri kan forårsake indre forbrenninger eller døden innen kun 2 timer, dersom det svelges eller kommer inn i kroppen på annen måte. Dekselet til batteriboksen må alltid være sikret. Dersom det ikke er mulig å lukke boksen helt, stopp apparatet, fjern batteriet og oppbevare det utilgjengelig for barn. Dersom du har mistanke om, at noen har svelget batteriet eller at det på annen måte har kommet inn i kroppen, må du søke medisinsk hjelp umiddelbart.

### FORMÅLSMESSIG BRUK

Bordsirkelsagen må kun benyttes til saging av tre og treprodukter.

Bruk aldri bordsirkelsagen til saging av andre materialer enn de som er oppgitt i bruksanvisningen.

Arbeidstykker med runde eller uregelmessig tverrsnitt (f.eks ved) skal ikke sages, fordi disse ikke kan holdes sikkert ved sagingen. Ved saging av flate arbeidstykker på høykant skal det brukes et egnet hjelpereidskap for sikker føring av arbeidstykket.

Saging på langs, på kryss, skrått eller gjæring forlanger et maksimalt montert sagblad.

### RETFARER

Selv ved sakkyndig bruk av produktet kan restfarer ikke helt utelukkes. Ved bruk kan følgende risikoer oppstå og derfor må brukeren ta hensyn til følgende:

- For å unngå hørselsskader må eksplosjonstiden innskrenkes og det skal brukes egnet hørselsvern.

- Bruker skulle ta forholdsregler for å minimere virkningen av vibrasjonene og for å begrense eksplosjonstiden.

- Det skal brukes åndedrettsvern for å unngå sunnheitsrisikoer som kan oppstå ved å puste inn sagstøv.

### VEDLIKEHOLD

Ta ut batteriet før du endrer, rengjør eller vedlikeholder enheten.

Vær sikker på at støpslet er trukket ut av strømkontakten før det demonteres eller monteres sagblad.

Fjern støv regelmessig. For å unngå risikoen for brann må du fjerne sagspon som samler seg inne i sagen.

Skift slitte bordinnlegg

Rengjør apparatet og verneinnretningen med en tørr klut.

Hold alltid luftenåpningene på maskinen rene.

Bruk kun Milwaukee tilbehør og Milwaukee reservedeler. Komponenter der utskiftning ikke er beskrevet skal skiftes ut hos Milwaukee kundeservice (se brosjyre garanti/kundeserviceadresser).

Ved behov kan du be om en eksplosjonstegning av apparatet hos din kundeservice eller direkte hos Technonic Industries GmbH, Max-Eyth-Straße 10, 71364 Winnenden, Germany. Oppgi maskintype og det nummeret på typeskiltet.

### ONE-KEY™

Mer informasjon om ONE-KEY funksjonaliteten for denne enheten finner du i Quick Start guiden som er vedlagt dette produktet eller gå til <http://www.milwaukeetool.com/one-key>

Du kan også laste ned vår ONE-Key app til din smarttelefon fra App Store eller Google Play.

Testen oppfyller våre minimumskrav i henhold til EN 301 489-1 / EN 301 489-17. Og vi kommer til å gi kunden en driftsveiledning i bruksanvisningen.

### BATTERIER

Vekselbatterier som ikke er brukt over lengre tid skal etterlades for bruk.

En temperatur over 50°C reduserer vekselbatteriets kapasitet. Unngå oppvarming i sol eller ved varmeovner (fyring) i lengre tid. Hold tilkoplingskontaktene på lader og vekselbatteri rene.

For optimal holdbarhet må batteriene lades opp helt etter bruk. Vekselbatterier som ikke er brukt over lengre tid skal etterlades for bruk.

For å sikre en lengst mulig brukstid av batteriene skal disse etter oppladning taes ut av laderen.

Ved lagring av batteriene lengre enn 30 dager: Lagre batteriet tørt ved ca. 27°C. Lagre batteriet ved en oppladningstilstand på ca. 30%-50%. ,Lade opp batteriet igjen etter 6 måneder.

Ikke kast brukte vekselbatterier i varmen eller husholdningsavfallet. Milwaukee tilbyr en miljøriktig deponering av gamle vekselbatterier; vennligst spør din fagforhandler.

Ikke oppbevar vekselbatterier sammen med metallgjenstander (kortslutningsfare).

Under ekstreme belastninger og ekstreme temperaturer kan det lette ut batterivæske fra utskiftbare batterier. Ved berøring med batterivæske, vask umiddelbart med såpe og vann. Ved kontakt med øynene må øynene skylles grundig i rennende vann i minst 10 minutter. Oppsøk lege umiddelbart.

Metalldeleer må ikke komme inn i innskyvningsjakten for vekselbatterier på ladere (kortslutningsfare).

### OVERBELASTNINGSVERN FOR OPPLADBARE BATTERIER

Ved overbelastning av det oppladbare batteriet på grunn av svært høyt strømforbruk f.eks. ved ekstremt høye dreiemomenter, hekking av verktøy som monteres på, plutselige stopp eller kortslutning, stopper elektroverktøyet i 2 sekund og så slår det seg selvstendig av. For gjeninnkobling, slipp løs bryteren og slå så på igjen. Ved ekstreme belastninger kan det oppladbare batteriet bli sterkt opphett. I slike tilfeller kobler batteriet seg ut. Sett batteriet di i laderen for å få det oppladet og aktivert igjen



## TRANSPORT AV LITIUM-ION-BATTERI

Litium-ion-batterier faller under de lovfestede forskriftene om transport av farlig gods.

Transporten av disse batteriene må rette seg etter lokale, nasjonale og internasjonale forskrifter og bestemmelser.

Forbruker har lov å transportere disse batteriene på gaten uten reglementering.

Den kommersielle transport av Litium-ion-batterier av spedisjonsfirma faller under bestemmelsene om transport av farlig gods. Forberedningene av forsendelsen og transport skal utelukkende gjennomføres av personer som har blitt skolert til dette. Hele prosessen skal følges opp av fagfolk.

Følgende punkter skal tas hensyn til ved transport:

Kontroller at kontaktene er beskyttet og isolert for å unngå kortslutninger. Pass på at batteripakken i forpakningen ikke kan skli fram og tilbake. Skadede eller batterier som lekker er det ikke lov å transportere. Ta kontakt med spedisjonsfirma for ytterligere henvisninger.



Nor

## CE-SAMSVARERKLÆRING

Vi erklærer i alene ansvar at produktet beskrevet i „Teknisk data“ overensstemmer med alle relevante forskrifter til Eu direktiv 2011/65/EU (RoHS) 2006/42/EC 2014/53/EU og de følgende harmoniserte normative dokumentene. fyrstikker

EN 62841-1:2015

EN 62841-3-1:2014+AC:2015+A11:2017

EN 62479:2010

EN 55014-1:2017+A11:2020

EN 55014-2:2015

EN IEC 63000:2018

EN 301 489-1 V2.2.3

EN 301 489-17 V3.1.1

EN 300 328 V2.2.2



Winnenden, 2020-11-11

Alexander Krug / Managing Director

Autorisert til å utarbeide den tekniske dokumentasjonen

Techtronic Industries GmbH

Max-Eyth-SträÙe 10, 71364 Winnenden, Germany

## SYMBOLER



Les nøye gjennom bruksanvisningen før maskinen tas i bruk.



OBS! ADVARSEL! FARE!



Ta ut vekselbatteriet før du arbeider på maskinen



Bruk hørselsvern!

Bruk derfor vernemaske som er egnet for støv.



Bruk alltid vernebrille når du arbeider med maskinen.



Bruk vernehansker !



Hold hendene borte fra området til sagebladet.



Apparatet er kun egnet for bruk innendørs, det må ikke utsettes for regn.



Tilbehør - inngår ikke i leveransen, anbefalt komplettering fra tilbehørsprogrammet.



Fjærbord og skyveklosser kan kjøpes hos en spesialforhandler. Bruk alltid utstyr av høy kvalitet.



Elektriske apparater, batterier/oppladbare batterier skal ikke kastes sammen med vanlig husholdningsavfall. Elektriske og elektroniske apparater og oppladbare batterier skal samles separat og leveres til miljøvennlig deponering hos en avfallsbedrift. Informer deg hos myndighetene på stedet eller hos din fagforhandler hvor det finnes recycling bedrifter og oppsamlingssteder.

n<sub>0</sub>

Tomgangsturtall

V

Volt



Likestrøm



Europeisk samsvarsmerke



Britisk samsvarsmerke



Ukrainsk samsvarsmerke

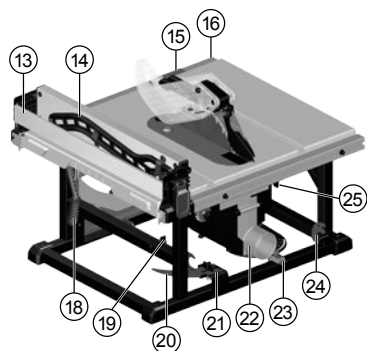
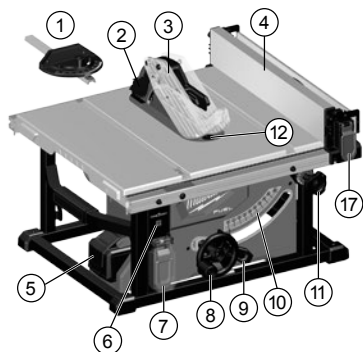


Euroasiatisk samsvarsmerke

Norsk



| TEKNISKA DATA   |                  | M18 FTS210                         |
|---|------------------|------------------------------------|
| Bordcirkelsåg   |                  |                                    |
| Produktionsnummer   |                  | 4609 60 02...<br>... 000001-999999 |
| Batterispänning   |                  | 18 V                               |
| Tomgångsvarvtal, obelastad  |                  | 6300 min <sup>-1</sup>             |
| Frekvensband  |                  | 2402-2480 MHz                      |
| Radiofrekvenseffekt   |                  | 1,8 dBm                            |
| Sågklinga- $\emptyset$ x hål- $\emptyset$   |                  | 210 x 30 mm                        |
| Tjockleken på sågbladens kropp  |                  | max. 1,55 mm                       |
| Tändernas tjocklek  |                  | min. 1,8 mm<br>max. 2,2 mm         |
| Max skärdjup vid 0 / 45°  |                  | 63,5 / 44 mm                       |
| Avstånd mellan parallellanslag och sågblad max.   | Vänster<br>Höger | 310 mm<br>525 mm / 622 mm          |
| Vikt enligt EPTA 01/2014 (Li-Ion 2,0 Ah ... 12,0 Ah)  |                  | 21,2 kg ... 22,3 kg                |
| Rekommenderad omgivningstemperatur för driften  |                  | -18°C ... +50°C                    |
| Rekommenderade batterier (Akkupacks)  |                  | M18B... / M18HB...                 |
| Rekommenderade laddare  |                  | M12-18... / M1418 C6               |
| <b>Bullerinformation</b><br>Mätvärdena har tagits fram baserade på EN 62841. A-värdet av maskinens ljudnivå utgör:<br>Ljudtrycksnivå (Onoggrannhet K=3dB(A))<br>Ljudeffektsnivå (Onoggrannhet K=3dB(A)) |                  | 92,37 dB(A)<br>103,37 dB(A)        |
| <b>Använd hörselskydd!</b>  |                  |                                    |



#### Enhetsbeskrivning

- ① Geranhåll
- ② Bakslagsskydd
- ③ Spaltkniv med skydd / Klingskydd
- ④ Parallellanslag
- ⑤ Batteri
- ⑥ ONE KEY indikator
- ⑦ Strömbrytare / Strömbrytarskydd
- ⑧ Ratt för höjjustering
- ⑨ Låsspak till lutningsvinkel
- ⑩ Måttlinjal
- ⑪ Parallellanslag inställningsratt
- ⑫ Stygnplåt / Regel till stygnplåt
- ⑬ Fällbart parallellanslag förlängning
- ⑭ Tryckpinne
- ⑮ Skala klyvsågning indikator
- ⑯ Skala klyvsågning
- ⑰ Parallellanslag spärrhakar
- ⑱ Parallellanslag lås
- ⑲ Skruvnyckel till sågblad lagring / Skruvnyckel till sågblad
- ⑳ Spaltkniv
- ㉑ Spaltkniv / Spaltkniv med skydd lagring
- ㉒ Stofficka
- ㉓ Geranhåll lagring
- ㉔ Bakslagsskydd lagring
- ㉕ Spaltkniv upplåsningsspak

**⚠** **WARNING** Läs alla säkerhetsanvisningar, instruktioner, beskrivningar och uppgifter som du får tillsammans med apparaten. Fel som uppstår till följd av att anvisningarna nedan inte följts kan orsaka elstöt, brand och/eller allvarliga kroppsskador. Förvara alla varningar och anvisningar för framtida bruk.

## **⚠** SÄKERHETSINFORMATION OM BORDSÅGAR

### 1) Säkerhetsinformation om skydd

a) **Alla skydd måste vara på plats. Skydden måste vara i ett funktionsdugligt skick och vara korrekt monterade.**

Ett skydd som är löst, skadat eller inte fungerar korrekt måste repareras eller bytas ut.

b) **Använd alltid sågbladsskydd, spaltkniv och bakslagsskydd för varje kappprocess.** För kappprocesser där sågbladet skär helt igenom arbetsstyckets tjocklek, hjälper skyddet och andra säkerhetsanordningar att reducera risken för personskador.

c) **Sätt åter fast skydden omedelbart efter det att du har slutfört ett arbete (såsom falsning) som kräver att skyddet, spaltkniven och/eller bakslagsskyddet avlägsnas.** Skyddet, spaltkniven och bakslagsskyddet hjälper till att reducera risken för personskador.

d) **Förvissa dig om att sågbladet inte kommer i kontakt med skyddet, spaltkniven eller arbetsstycket före påslagning.** Oavsiktlig kontakt mellan dessa föremål och sågbladet kan orsaka farliga situationer.

e) **Justera klyvkniven enligt beskrivning i bruksanvisningen.** Felaktigt avstånd, fel positionering och inriktning kan innebära att spaltkniven blir mindre effektiv när det gäller att reducera sannolikheten för bakslag.

f) **För att spaltkniven och bakslagsskyddet ska fungera måste de inverka på arbetsstycket.** Spaltkniven och bakslagsskyddet är överksamma när man säger arbetsstycken som är för korta för att kunna påverkas av spaltkniven och bakslagsskyddet. Detta innebär att spaltkniven och bakslagsskyddet inte kan förhindra bakslag.

g) **Använd endast den klyvkniv som passar till aktuell sågklinga.** För att spaltkniven ska kunna fungera korrekt måste sågbladets diameter matcha den lämpliga spaltkniven och sågbladet måste vara tunnare än spaltknivens tjocklek och sågbladets skärbredd måste vara bredare än spaltknivens tjocklek.

### 2) Säkerhetsinformation om kappprocesser

a) **⚠ FARA: Placera aldrig dina fingrar eller händer i närheten eller i linje med sågbladet.** Ett ögonblick av ouppmärksamhet eller om man råkar slinta kan styra din hand mot sågbladet och orsaka allvarliga personskador.

b) **För arbetsstycket mot sågbladet endast mot rotationsriktningen.** Om man för arbetsstycket i samma riktning som sågbladet roterar ovanför bordet kan det leda till att arbetsstycket och din hand dras in i sågbladet.

c) **Använd aldrig geranhåll för att föra arbetsstycket vid långssågning och använd inte parallellanslag som ett längdstopp vid tvärkapning med geranhåll.** Att styra arbetsstycket med parallellanslag och geranhåll samtidigt ökar sannolikheten för att sågbladet blockerar och bakslag orsakas.

d) **Vid långssågning måste kraften för att föra arbetsstycket alltid utövas mellan anslag och sågblad. Använd en tryckpinne när avståndet mellan anslaget och sågbladet är mindre än 150 mm och använd ett tryckblock när detta avstånd är mindre än 50 mm.** Anordningar som underlättar arbetet kommer att hålla din hand på ett säkert avstånd från sågbladet.

e) **Använd endast tryckpinnen som tillhandahålls av tillverkaren eller har tillverkats i enlighet med dessa instruktioner.** Denna tryckpinne ger ett tillräckligt avstånd mellan handen och sågbladet.

f) **Använd aldrig en skadad eller sågad tryckpinne.** En skadad tryckpinne kan bryta och orsaka att din hand hamnar i sågbladet.

g) **Arbeta inte på frihand. Använd alltid antingen parallellanslag eller geranhåll för att placera och styra arbetsstycket.** Frihand innebär att du använder dina händer för att stödja eller styra arbetsstycket, i stället för ett parallellanslag eller geranhåll. Frihandssågning leder till felaktig inriktning, blockering och bakslag.

h) **Räck aldrig runt eller över ett roterande sågblad.** Att sträcka sig för att nå ett arbetsstycke kan leda till oavsiktlig kontakt med det roterande sågbladet.

i) **Tillhandahåll extra stöd till arbetsstycket på baksidan och/eller sidorna av sågbordet för att hålla långa och/eller breda arbetsstycken i vågrätt position.** Ett långt och/eller brett arbetsstycke har en tendens att vrida sig på bordets kant, vilket orsakar förlust av kontroll, blockering av sågbladet och bakslag.

j) **För arbetsstycket i jämn takt. Arbetsstycket får inte böjas eller vridas. Om det fastnar måste verktyget stängas av omedelbart och stickkontakten dras ut ur vägguttaget. Först därefter får blockeringen åtgärdas.** Blockering av sågbladet genom arbetsstycket kan orsaka bakslag eller stanna motorn.

k) **Ta inte bort bitar av avsågat material medan sågen är igång.** Materialet kan fastna mellan anslaget eller inne i sågbladets skydd och sågbladet kan dra in dina fingrar i sågbladet. Stäng av sågen och vänta tills sågbladet stannar innan du tar bort material.

l) **Använd ett extra anslag som har kontakt med bordets yta när du långsågar arbetsstycken som är mindre än 2 mm tjocka.** Ett tunt arbetsstycke kan kila fast under parallellanslaget och skapa ett bakslag.

### 3) Orsaker för och eliminering av bakslag:

Bakslag är en plötslig reaktion av arbetsstycket på grund av ett klämt, blockerat sågblad eller ett i förhållande till sågbladet snett snitt i arbetsstycket eller när en del av arbetsstycket fastnar mellan sågbladet och parallellanslaget eller i ett annat fixerat objekt. Vid bakslag lyfts i de flesta fall arbetsstycket från bordet av sågbladets bakre del och slungas mot operatören.

Bakslag uppstår till följd av missbruk eller felaktig hantering av sågen. Detta kan undvikas genom skyddsåtgärder som beskrivs nedan.

a) **Stå aldrig direkt i linje med sågbladet. Placera alltid din kropp på samma sida av sågbladet som anslaget.** Bakslag

kan slunga arbetsstycket med hög hastighet mot någon som står framför och i linje med sågbladet.

b) **Räck aldrig över eller bakom sågbladet för att dra eller stödja arbetsstycket.** Risk föreligger för oavsiktlig kontakt med sågbladet eller för att ett bakslag drar in dina fingrar i sågbladet.

c) **Håll och tryck aldrig arbetsstycket som sägas av mot det roterande sågbladet.** Genom att trycka arbetsstycket som sägas av mot sågbladet skapas ett blockerande tillstånd och ett bakslag.

d) **Justera anslaget så att det är parallellt med sågbladet.** Ett felaktigt inställt anslag kommer att klämma fast arbetsstycket mot sågbladet och skapa ett bakslag.

e) **Använd ett fjäderbräda för att styra arbetsstycket mot bordet och anslaget när du säger utan genomskärning (t.ex. vid falsning).**

En fjäderbräda hjälper till att styra arbetsstycket i händelse av ett bakslag.

f) **Var extra försiktig när du säger i områden på monterade arbetsstycken du inte kan titta in i.** Det utskjutande sågbladet kan komma att säga i föremål som kan orsaka bakslag.

g) **Stöd stora paneler för att minimera risken att sågbladet kläms fast och kastas tillbaka.** Stora paneler tenderar att ge efter under den egna vikt. Stöd måste placeras under alla delar av panelen som hänger ut över bordsskivan.

h) **Var extra försiktig när du säger ett arbetsstycke som är vridet, knutigt, snett eller inte har en rak kant för att kunna styras med ett geranhåll eller längs anslaget.** Ett snett, knutigt eller vridet arbetsstycke är instabilt och orsakar en felaktig inriktning av sågbladets sågspår, blockering och bakslag.

i) **Såga aldrig mer än ett arbetsstycke, staplat vertikalt eller horisontellt.** Sågbladet kan komma att ta upp en eller flera bitar och orsaka ett bakslag.

j) **När du startar om sågen med sågbladet kvar i arbetsstycket, måste du centrera sågbladet i sågspåret så att sågtänderna inte griper i materialet.** Om sågbladet blockerar kan det komma att lyfta upp arbetsstycket och orsaka bakslag när sågen startas om.

k) **Håll sågbladen rena, skarpa och tillräckligt skränkta. Använd aldrig skeva sågblad eller sågblad med knäckta eller brutna tänder.** Skarpa och korrekt skränkta sågblad minimerar blockering, stopp och bakslag.

#### 4) Säkerhetsinformation om användning av bordssåg

a) **Stäng av bordssågen och koppla från batteriet när du tar bort bordssinsatsen, byter sågbladet eller justerar spaltkniven, bakslagsskyddet eller sågbladets skydd och när maskinen lämnas utan uppsikt.** Försiktighetsåtgärder är till för att undvika olyckor.

b) **Låt aldrig bordscirkelsågen vara igång utan uppsikt. Stäng av den och lämna inte verktyget förrän det stannat helt.** En oönskad såg som är igång är en okontrollerbar fara.

c) **Placera bordssågen i ett väl upplyst och plant område där du kan upprätthålla bra fotfäste och balans. Den ska installeras i ett område som ger tillräckligt med utrymme för att enkelt kunna hantera storleken på ditt arbetsstycke.** Trånga, mörka områden och ojämna hala golv drar till sig olyckor.

d) **Rengör ofta och ta bort sågspån under sågbordet och/eller anordningen för dammuppsamling.** Sågspån som samlas är brännbart och kan självantändas.

e) **Bordssågen måste säkras.** En bordssåg som inte är korrekt säkrad kan flyttas eller välta.

f) **Ta bort verktyg, trärester etc. från bordet innan bordssågen slås på.** Distraction eller en eventuellt blockering kan vara farlig.

g) **Använd alltid sågblad med rätt storlek och form (diamant mot runda) på hälen.** Sågblad som inte passar till sågens monteringskomponenter kommer att rotera obalanserat, vilket leder till förlorad kontroll.

h) **Använd aldrig skadade eller felaktiga monteringsmaterial till sågblad såsom flänsar, brickor till sågblad, bultar eller muttrar.** Dessa monteringsmaterial är speciellt konstruerade för din såg, för säker drift och optimal prestanda.

i) **Ställ dig aldrig på bordssågen och använd den inte som klätterhjälp.** Allvarliga personsador kan orsakas om verktyget faller eller om man av misstag kommer i kontakt med skärverktyget.

j) **Se till att sågbladet är installerat för att rotera i rätt riktning. Använd inte slipskivor eller stålborstar på bordssågen.** Felaktig installation av sågblad eller användning av tillbehör som inte rekommenderas kan orsaka allvarliga personsador.

#### Övriga säkerhets- och användningsinstruktioner

Långhålsfräsning, urfräsning, delningssågning och formning är inte tillåtna.

Bär hörselskydd. Buller kan leda till att du förlorar hörseln.

Använd skyddsutrustning. Använd alltid skyddsglasögon när du använder maskinen. Som skyddsutrustning rekommenderar vi t.ex. en dammskyddsmask, skyddshandskar, stabila och halksäkra skor, hjälm och hörselskydd.

Dammet som uppkommer vid arbeten med denna maskin kan vara skadligt för hälsan om de når kroppen. Använd ett utsugningssystem och bär skyddsmask. Avlägsna kvarblivande damm med t.ex. en dammsugare.

Se till att maskinen alltid står stadigt.

Vi rekommenderar att inför första användningen läsa bruksanvisningen och sätta sig in i redskapets funktionssätt.

Använd inga sågblad som har tagit skada eller är deformerade.

Använd endast sågklingor som har skärpts på föreskrivet sätt.

Använd endast sågblad för träbearbetning som uppfyller EN 847-1 och anges i denna manual.

För att minimera bullernivån måste verktyget vara slipat och alla ljuddämpande komponenter (skydd osv) ställas in korrekt.

Endast verktyg som uppfyller EN 847-1 får användas.

Verktygen måste transporteras och förvaras i en därtill lämplig behållare;

Välj en sågklinga som lämpar sig för materialet som ska sägas.

Det maximala varvtalet som står på sågklingan får inte överskridas.

Använd inga sågklingor som är tillverkade av high-speed stål.

Slipskivor får inte användas!

PLÖCKA BORT SPÄNNYCKLARNNA. Ta för vana att kontrollera att spännnycklarna har plockats bort från apparaten innan den sätts i drift.

Fel på maskinen, inklusive skyddsanordningen, ska omgående meddelas säkerhetsansvarig.



Sve

Lakttag största försiktighet när maskinen är igång.  
Avlägsna aldrig spån eller flisor när maskinen är igång.  
Den övre skyddskåpan får inte användas som handtag för transport!  
Under transport av maskinen måste den övre skyddskåpan täcka sågklingans övre del.

Kontrollera att parallellslaget är parallellt med sågklingan.  
Se till att golvet alltid är fritt från materialrester t.ex. spån och sågrester.

Även om alla relevanta föreskrifter följs, kann risker ändå uppstå vid drift av maskinen, t ex genom:  
Kringsslungade arbetstycken  
Kringsslungade verktygsdelar om verktyg skadas  
Ljudemission  
Emission av trädam

Drag ur batteripaket innan arbete utföres på maskinen.  
**WARNING!** För att undvika den fara för brand, personsador eller produktssador som orsakas av en kortslutning, dopa inte ner verktyget, utbytesbatteriet eller laddaren i vätskor och se till att ingen vätska kan tränga in i apparaterna eller batterierna. Korroderande eller ledande vätskor, som saltvatten, vissa kemikalier, blekningsmedel eller produkter som innehåller blekmedel, kan orsaka en kortslutning.

System M18 batterier laddas endast i System M18 laddare. Ladda inte batterier från andra system.

Batterier lagras torrt och skyddas för fukt.

#### VARNING



Denna anordning innehåller ett litium knappcells batteri. Ett nytt eller använt batteri kan orsaka allvarliga inre brännskador och leda till döden på endast 2 timmar om det sväljs eller kommer in i kroppen. Säkra alltid batterifackets lock. Om det inte stänger ordentligt, stanna anordningen, ta ut batteriet och håll det utom räckhåll för barn. Uppsök omedelbart läkare om du tror att någon har svält batteriet eller det har kommit in i kroppen på annat sätt.

#### ANVÄND MASKINEN ENLIGT ANVISNINGARNA

Använd endast bänksågen för sågning av trä och träprodukter  
Använd aldrig bänksågen för andra material än de som anges i bruksanvisningen.

Arbetsstycken med runt eller oregelbundet tvärsnitt (t ex ved) får ej sågas, eftersom dessa inte kan fixeras på ett säkert sätt. För att såga plana arbetsstycken vertikalt, skall användas lämpligt stödanslag för säker styrning av arbetsstycket.

Längskapning, tvärkapning, geringsågning och vinkelsågning genom att använda högst ett monterat sågblad.

#### KVARSTÅENDE RISKER

Även om produkten används på ändamålsenligt och föreskrivet sätt kan kvarstående risker aldrig helt uteslutas. Vid användningen finns nedan nämnda risker varför du som användare vid sidan om alla andra föreskrifter också ska beaktas följande:

- Använd lämpligt hörselskydd och begränsa exponeringstiden för att undvika hörselskador.
- Vidtag lämpliga åtgärder för att reducera följderna av vibrationer och begränsa exponeringstiden.
- Använd en andningskyddsmask för att förhindra att du andas in sågdam som kan ge hälsoskador.

#### SKÖTSEL

Ta bort batteripaket innan du börjar med att utföra inställningar, rengöring och underhåll på utrustningen.

Koppla alltid bort verktyget från eluttaget innan du sätter dit eller tar bort sågklingan.

Avlägsna dammet regelbundet. Avlägsna sågspånen inne i sågen för att förhindra brandrisk.

Byt ut bordsinlägget om det är slitet.

Rengör både verktyget och skyddsanordningen med en torr trasa.

Se till att motorhöljets luftslitsar är rena.

Använd endast Milwaukee-tillbehör och Milwaukee-reservdelar. Komponenter, för vilka inget byte beskrivs, skall bytas ut hos Milwaukee-kundtjänst (se broschyren garanti-/kundtjänstadresser).

Vid behov av sprängskiss, kan en sådan, genom att uppges maskinens art. nr. (som finns på typskylten) erhållas från: Techtronic Industries GmbH, Max-Eyth-Straße 10, 71364 Winnenden, Germany.

#### ONE-KEY™

För att ta reda på mer om ONE-KEY funktionaliteten på denna utrustning, läs medföljande snabbstartsguide eller besök <http://www.milwaukeeool.com/one-key>

Du kan ladda ner ONE-KEY-appen till din smarttelefon via App Store eller Google Play.

Provresultatet uppfyller våra minimikrav enligt EN 301 489-1 / EN 301 489-17. Och vi kommer att ge kunden en handledning för drift i bruksanvisningen.

#### BATTERIER

Batteri som ej används på länge måste laddas före nytt bruk.

En temperatur över 50°C reducerar batteriets effekt. Undvik långre uppvärmning tex i solen eller nära ett element.

Se till att anslutningskontaktarna i laddaren och på batteriet är rena.

För att batterierna ska få lång livslängd ska de laddas fulla efter användning. Batteri som ej används på länge måste laddas före nytt bruk.

För att få en så lång livslängd som möjligt bör laddningsbara batterier avlägsnas från laddaren när de är laddade.

Om laddningsbara batterier lagras längre än 30 dagar: Lagra batteriet torrt och vid ca 27°C. Lagra batteriet vid ca 30%-50% av laddningskapaciteten. Ladda batterierna på nytt var 6:e månad.

Kasta inte förbrukade batterier. Lämna dem till Milwaukee Tools för återvinning.

Förvara ej batteriet ihop med metallföremål, kortslutning kan uppstå.

Under extrem belastning eller extrem temperatur kan batterivätska tränga ut ur skadade utbytesbatterier. Vid beröring med batterivätska tvätta genast av med vatten och tvål. Vid ögonkontakt spola genast i minst 10 minuter och kontakta genast läkare.

Se upp så att inga metallföremål hamnar i laddarens batterischakt, kortslutning kan uppstå.

## BATTERI-ÖVERBELASTNINGSSKYDD

Vid överbelastning av batteriet genom mycket hög strömförbrukning, t.ex. Vid extremt höga vridmoment, om insatsverktyget kläms fast, ett plötsligt stopp eller vid kortslutning, stoppas elverket i 2 sekunder och stängs sedan automatiskt av. För att sedan sätta på elverket igen släpper du tryckbrytaren och tillkopplar sedan verktyget igen. Vid extrem belastning kan batteriet bli väldigt varmt. I ett sådant fall stängs batteriet av automatiskt. Sätt då batteriet i laddaren för att ladda upp och aktivera det igen.

## TRANSPORTERA LITIJON-BATTERIER

För litiumjon-batterier gäller de lagliga föreskrifterna för transport av farligt gods på väg.

Därför får dessa batterier endast transporteras enligt gällande lokala, nationella och internationella föreskrifter och bestämmelser.

Konsumenter får transportera dessa batterier på allmän väg utan att behöva beakta särskilda föreskrifter.

För kommersiell transport av litiumjon-batterier genom en speditönsfirma gäller emellertid bestämmelserna för transport av farligt gods på väg. Endast personal som känner till alla tillämpliga föreskrifter och bestämmelser får förbereda och genomföra transporten. Hela processen ska följas upp på fackmässigt sätt.

Följande ska beaktas i samband med transporten av batterier:

Säkerställ att alla kontakter är skyddade och isolerade för att undvika kortslutning. Se till att batteripacken inte kan glida fram och tillbaka i förpackningen. Transportera aldrig batterier som läcker, har runnit ut eller är skadade. För mer information vänligen kontakta din speditönsfirma.

## CE-FÖRSÄKRAN

Vi tar på vårt ansvar att produkten som har beskrivits under Tekniska data uppfyller alla relevanta villkor i direktivet 2011/65/EU (RoHS)

2006/42/EG

2014/53/EU

samt att följande harmoniserade standarder har använts.

EN 62841-1:2015

EN 62841-3-1:2014+AC:2015+A11:2017

EN 62479:2010

EN 55014-1:2017+A11:2020

EN 55014-2:2015

EN IEC 63000:2018

EN 301 489-1 V2.2.3

EN 301 489-17 V3.1.1

EN 300 328 V2.2.2



Winnenden, 2020-11-11

Alexander Krug / Managing Director

Befullmäktigad att sammanställa teknisk dokumentation.

Techtronic Industries GmbH

Max-Eyth-Strasse 10, 71364 Winnenden, Germany

## SYMBOLER



Läs instruktionen noga innan du startar maskinen.



OBSERVERA! VARNING! FARA!



Drag ur batteripaket innan arbete utföres på maskinen.



Använd hörselskydd!

Bär därför lämplig skyddsmask.



Använd alltid skyddsglasögon.



Bär skyddshandskar!



Se till att du aldrig kommer med händerna i närheten av sågbladet.



Aggregatet är endast lämpad att användas inomhus. Får ej utsättas för regn.



Tillbehör - Ingår ej i leveransomfånget, erhålles som tillbehör.



Fjäderbräda och tryckblock kan köpas i specialaffärer. Använd endast högkvalitativa tillbehör.



Elektriska maskiner, batterier/uppladdningsbara batterier och får inte slängas tillsammans med de vanliga hushållsoporna. Elektriska maskiner och uppladdningsbara batterier ska samlas separat och lämnas till en avfallsstation för miljövänlig avfallshantering. Kontakta den lokala myndigheten respektive kommunen eller fråga återförsäljare var det finns speciella avfallsstationer för elskrot.

**n<sub>0</sub>**

Tomgångsvarvtal, obelastad

**V**

Volts Växelström



Likström



Europeiskt konformitetsmärke



Britiskt konformitetsmärke



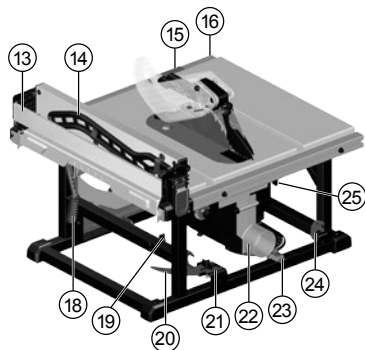
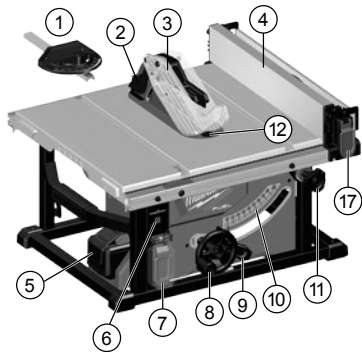
Ukrainskt konformitetsmärke



Euroasiatiskt konformitetsmärke



| TEKNISET ARVOT  |                | M18 FTS210                         |
|---|----------------|------------------------------------|
| <b>Jiirisaha</b>  |                |                                    |
| Tuotantomerkki  |                | 4609 60 02...<br>... 000001-999999 |
| Jännite vaihtoakku  |                | 18 V                               |
| Kuormittamaton kierrosluku  |                | 6300 min <sup>-1</sup>             |
| Radiotaajuus  |                | 2402-2480 MHz                      |
| Lähetysteho   |                | 1,8 dBm                            |
| Sahanterän Ø x reiän Ø  |                | 210 x 30 mm                        |
| Sahanterän vahvuus  |                | maks. 1,55 mm                      |
| Hammastuksen vahvuus  |                | min. 1,8 mm<br>maks. 2,2 mm        |
| Leikkaussyvyys kork. 0 / 45°  |                | 63,5 / 44 mm                       |
| Halkaisuohjaimen ja sahanterän välinen etäisyys maks.                             | Vasen<br>Oikea | 310 mm<br>525 mm / 622 mm          |
| Paino EPTA-menetellyn 01/2014 mukaan (Li-Ion 2,0 Ah ... 12,0 Ah)                  |                | 21,2 kg ... 22,3 kg                |
| Suosittelun ympäristön lämpötila käytön aikana                                    |                | -18°C ... +50°C                    |
| Suosittelut akkusarjat  |                | M18B... / M18HB...                 |
| Suosittelut latauslaitteet  |                | M12-18... / M1418 C6               |
| <b>Melunpäästötiedot</b>  |                |                                    |
| Mitta-arvot määritetty EN 62841 mukaan. Koneen tyypillinen A-luokitettu melutaso: |                |                                    |
| Melutaso (Epävarmuus K=3dB(A))  |                | 92,37 dB(A)                        |
| Äänenvoimakkuus (Epävarmuus K=3dB(A))   |                | 103,37 dB(A)                       |
| <b>Käytä kuulosuojaimia!</b>  |                |                                    |



#### Laitteen kuvaus

- ① Viistetulkki
- ② Takaiskun estosalvat
- ③ Halkaisukiila suojuksella / Teräsuojus
- ④ Halkaisuohjain
- ⑤ Akku
- ⑥ ONE KEY -merkkivalo
- ⑦ Virtakytkin / Kytkimen suojus
- ⑧ Korkeuden säädön käsipyörä
- ⑨ Jiirilukitusvipu
- ⑩ Jiiristeikko
- ⑪ Ohjaimen säätöpyörä
- ⑫ Pistolevy / Pistolevyn salpa
- ⑬ Laajennettava kääntöohjain
- ⑭ Työntökappale
- ⑮ Rinnakkaisasteikko ilmaisin
- ⑯ Rinnakkaisasteikko
- ⑰ Ohjaimen salvat
- ⑱ Ohjaimen lukko
- ⑲ Terän avain säilytys / Terän avain
- ⑳ Halkaisukiila
- ㉑ Halkaisukiila / Halkaisukiila suojuksella säilytys
- ㉒ Pölykouru
- ㉓ Viistetulkki säilytys
- ㉔ Takaiskun estosalvat säilytys
- ㉕ Halkaisukiila vapautusvipu



**VAROITUS** Lue kaikki varoimenpiteet, ohjeet, kuvalliset esitykset ja tiedot, jotka toimitetaan laitteen mukana. Turvallisuusohjeiden noudattaminen laiminlyönti saattaa johtaa sähköiskuihin, tulipaloon ja/tai vakavaan loukkaantumiseen. Säilytä kaikki turvallisuus- ja muut ohjeet tulevaisuutta varten.




## PÖYTÄSAHOJEN TURVALLISUUSOHJEET

### 1) Suojaamiseen liittyvät varoitukset

- a) **Pidä suojukset paikallaan. Suojusten on oltava kunnossa ja asianmukaisesti asennettuja.** Löysä, vaurioitunut tai väärin toimiva suojus on korjattava tai vaihdettava.
- b) **Käytä aina sahanterän suojusta, halkaisukiilaa ja takaiskun estolaitetta jokaisen läpileikkauksen yhteydessä.** Leikkaustöissä, joissa sahanterä leikkaa kokonaan työkappaleen vahvuuden halki, suojus ja muut turvalaitteet vähentävät loukkaantumisvaaraa.
- c) **Kiinnitä suojusjärjestelmä välittömästi takaisin, kun toiminto (esim. huoltaminen), joka vaatii suojusten, halkaisukiilan ja/tai takaiskun estolaitteen poistamista, on suoritettu.** Suojus, halkaisukiila ja takaiskun estolaite auttavat vähentämään loukkaantumisriskiä.
- d) **Varmista, että sahanterä ei ole kosketuksissa suojukseen, halkaisukiilaan tai työkappaleeseen ennen kytkimen kytkemistä.** Sahanterän tahaton kosketus näihin voi aiheuttaa vaarallisen tialnteen.
- e) **Säädä halkaisukiilaa käyttöohjeessa selostetulla tavalla.** Virheellinen etäisyys, asettelu ja kohdistus voivat tehdä halkaisukiilasta tehottoman vähentämään takaiskun mahdollisuutta.
- f) **Jotta halkaisukiila ja takaiskun estolaite voivat toimia, niiden on oltava kosketuksissa työkappaleeseen.** Halkaisukiila ja takaiskun estolaite ovat tehottomia, kun sahataan työkappaleita, jotka ovat liian lyhyitä ollakseen kosketuksissa halkaisukiilan ja takaiskun estolaitteen kanssa. Näissä olosuhteissa takaisku ei voida estää halkaisukiilalla ja takaiskun estolaitteella.
- g) **Käytä halkaisukiilaa, joka sopii käytössä olevalle sahanterälle.** Jotta halkaisukiila toimii asianmukaisesti, sahanterän halkaisijan on vastattava sopivaa halkaisukiilaa ja sahanterän on oltava ohuempi kuin halkaisukiilan vahvuus ja sahanterän sahauslevyden on oltava leveämpi kuin halkaisukiilan vahvuus.

### 2) Leikkausmenetelmien varoitukset

- a)  **VAARA Älä koskaan sijoita sormiasi tai käsiäsi sahanterän läheisyyteen tai sen suuntaisesti.** Hetkellinen tarkkaamattomuus tai lipsahdus voi ohjata kätesi kohti sahanterää ja aiheuttaa vakavia henkilövahinkoja.
- b) **Työnnä työkappaletta sahanterään vain pyörimissuunnan vastaisesti.** Työkappaleen työntäminen sahanterän pyörimissuuntaan pöydän yläpuolella voi johtaa siihen, että työkappale, ja kätesi, vedetään sahanterään.
- c) **Älä koskaan käytä viistetulkkia työkappaleen työntämiseen halkaistaessa äläkä käytä halkaisuohjainta pitkitäisrajoittimena katkaisuleikatessa viistetulkin kanssa.** Työkappaleen ohjaaminen samanaikaisesti halkaisuohjaimella ja

viistetulkilla lisää todennäköisyyttä, että sahanterä puristuu ja iskee takaisin.

- d) **Käytä halkaistaessa aina työkappaleen syöttövoimaa ohjaimen ja sahanterän välillä. Käytä työntökappaletta, kun ohjaimen ja sahanterän välinen etäisyys on alle 150 mm ja käytä työntöblokkia, kun etäisyys on alle 50 mm.** ”Työskentelyapu”-laitteet pitävät kätesi turvallisella etäisyydellä sahanterästä.
- e) **Käytä vain valmistajan toimittamaa tai ohjeiden mukaan valmistettua työntökappaletta.** Tämä työntökappale tarjoaa riittävän etäisyyden kädestä sahanterään.
- f) **Älä koskaan käytä vahingoittunutta tai sahattua työntökappaletta.** Vahingoittunut työntökappale saattaa rikkoutua ja aiheuttaa kätesi luiskahtamisen sahanterään.
- g) **Älä koskaan tee mitään ”vapaalla kädellä”. Käytä aina joko halkaisuohjainta tai viistetulkkia työkappaleen sijoittamiseen ja ohjaamiseen.** ”Vapaalla kädellä” tarkoittaa käsien käyttöä työkappaleen tukemiseen tai ohjaamiseen halkaisuohjaimen tai viistetulkin sijaan. Vapaalla kädellä sahaaminen johtaa kohdistusvirheisiin, turvutuksiin ja takaiskuihin.
- h) **Älä koskaan kurota pyörivän sahanterän ympäri tai yli.** Työkappaleelle kurottaminen voi johtaa tahattomaan kosketukseen liikkuvan sahanterän kanssa.
- i) **Huolehdi työkappaleen lisätuesta sahapöydän takaoasassa ja/tai svuilla pitkien ja/tai leveiden työkappaleiden yhteydessä pitkäksi ne linjassa.** Pitkä ja/tai leveä työkappale on taipuvainen kääntymään pöydän reunalla aiheuttaen hallinnan menetyksen, sahanterän jumittumisen tai takaiskun.
- j) **Työnnä työkappaletta tasaisesti. Älä taita tai kierrä työkappaletta. Jos tukoksia ilmenee, sammuta työkalu välittömästi, kytke se irti ja selvitä tukos.** Jos työkappale tukkii sahanterän, tästä voi aiheutua takaisku tai moottorin pysähdys.
- k) **Älä poista sahatusmateriaalin kappaleita sahan ollessa käynnissä.** Materiaali voi jäädä kiinni ohjaimen tai teräsuojuksen ja sahanterän väliin vetäen sormesi sahanterään. Sammuta saha ja odota, kunnes sahanterä pysähtyy ennen kuin poistat materiaalin.
- l) **Käytä lisäohjainta kosketuksessa pöytälevvyyn, kun halkaistaan alle 2mm:n vahvuisia työkappaleita.** Ohut työkappale voi kiilautua halkaisuohjaimen alle ja luoda takaiskun.

### 3) Takaiskun syy ja miten sen estät:

Takaisku on työkappaleen äkillinen reaktio, joka johtuu puristuksissa olevasta, juuttuneesta sahanterästä tai sahausken vinosta linjasta työkappaleessa sahanterään liittyen tai kun osa työkappaleesta on sahanterän ja halkaisuohjaimen tai muun kiinteän osan kanssa.

Useimmiten takaiskun aikana työkappale nousee pöydältä sahanterän takaoasasta ja sinkoutuu käyttäjää kohti.

Takaisku johtuu sahan väärinkäytöstä tai sahan käytöstä vääriin tarkoitukseen tai väärissä olosuhteissa. Se voidaan estää sopivin varotoimin, joita selostetaan seuraavassa.

- a) **Älä koskaan seiso suoraan samassa linjassa sahanterän kanssa. Asetu aina samalle puolelle sahanterää kuin ohjain.** Takaisku voi singota työkappaleen suurella nopeudella kohti sahanterän edessä tai samassa linjassa seisovaa henkilöä.



Suo

b) **Älä koskaan kurota sahanterän yli tai sen taakse vetääksesi tai tukeaksesi työkalua.** Tästä voi aiheutua tahaton kontakti sahanterän kanssa tai takaisku voi vetää sormesi sahanterään.

c) **Älä koskaan pidä ja paina sahattavaa työkalua pyörivää sahanterää vasten.** Jos työkalua painetaan sahanterää vasten leikatessa, se voi jäädä puristuksiin ja iskeä takaisin.

d) **Kohdista ohjain samansuuntaisesti sahanterän kanssa.** Virheellisesti kohdistettu ohjain puristaa työkalun sahanterää vasten ja saa aikaan takaiskun.

e) **Käytä paininlevyä työkaluun ohjaamiseen pöytä ja ohjainta vasten tehdessäsi leikkauksia, jotka eivät mene kappaleen läpi, kuten huullos.** Paininlevy auttaa hallitsemaan työkalua takaiskun ilmetessä.

f) **Olle erityisen varovainen, kun leikataan koottujen työkalupalojen kuolleissa kulmissa.** Ulos työntävyä sahanterää voi leikata esineitä, jotka voivat aiheuttaa takaiskun.

g) **Tue suurempia paneeleja minimoidaksesi sahanterän puristumisen ja takaiskun riskin.** Suuret paneelit voivat painua oman painonsa alla. Tuki/tuet on sijoitettava kaikkien paneelien osien alle, jotka ulottuvat työlevyn ulkopuolelle.

h) **Toimi erittäin varovaisesti, kun leikkaat työkalua, joka on kiertänyt, solmittu, vääntynyt tai jossa ei ole suoraa reunaa, jotta sitä voisi ohjata viistetukilla tai ohjaimen suuntaisesti.** Vääntynyt, solmittu tai kiertänyt työkalu ei ole vakaa ja aiheuttaa sahausraon vääran kohdistuksen sahanterään, puristumisen ja takaiskun.

i) **Älä koskaan sahaa useampaa kuin yhtä työkalua pystysuoraan tai vaakasuoraan pinottuna.** Sahanterä voi tarttua yhteen tai useampaan kappaleeseen ja aiheuttaa takaiskun.

j) **Kun saha käynnistetään uudelleen sahanterän ollessa työkaluessa, keskitä sahanterä sahausraoon niin, että sahan hampaat eivät ole kiinni materiaalikossa.** Jos sahanterä jumittuu, se voi nostaa työkalua ylös ja aiheuttaa takaiskun, kun saha käynnistetään uudelleen.

k) **Pidä sahanterät puhtaina, terävinä ja riittävästi säädettynä.** Älä koskaan käytä vääntyneitä sahanterä tai sahanterä, joissa on murtuneita tai rikkiniisiä hampaita. Terävät ja asianmukaisesti säädetyt sahanterät minimoivat jumittumista, pysähtymisiä ja takaiskuja.

#### 4) Pöytäsahan käyttömenetelmien varoitukset

a) **Sammuta pöytäsaha ja irrota akkupaketti, kun pöytäosa irrotetaan, sahanterää vaihdetaan tai halkaisukilaa, takaiskun estolaitetta tai teräsuojusta säädetään ja koneen ollessa valvoton.** Turvatoimenpiteet estävät onnettomuuksia.

b) **Älä jätä käynnissä olevaa pöytäsahaa ilman valvontaa.** Sammuta se äläkä poistu ennen kuin työkalu on täysin pysähtynyt. Valvoton käynnissä oleva saha on hallitsematon riski.

c) **Sijoita pöytäsaha hyvin valaistulle ja tasaiselle alueelle, jossa saat hyvän jalansijan ja tasapainon. Se tulisi asentaa alueelle, jossa on riittävästi tilaa käsitellä helposti**

**työkappaleesi kokoa.** Ahtaat, pimeät tilat ja epätasaiset, liukkaat lattiat aiheuttavat onnettomuuksien vaaran.

d) **Puhdista ja poista sahanpuru säännöllisesti pöytäsahan alta ja/tai pölynkeräyslaitteesta.** Kertynyt sahanpuru on palavaa ja voi syttyä itsestään.

e) **Pöytäsaha on varmistettava.** Jos pöytäsaha ei ole varmistettu asianmukaisesti, se voi liukua tai kaatua kumoon.

f) **Poista työkalut, työjäte jne. pöydältä ennen pöytäsahan käynnistämistä.** Häiriöt ja mahdolliset tukokset voivat olla vaarallisia.

g) **Käytä aina oikeankokoisia sahanterä ja oikeanmuotoisia (timantti/pyöreä) reikiä.** Sahanterät, jotka eivät sovi sahan kiinnityslaitteisiin käyvät epäkeskisesti, mikä aiheuttaa hallinnan menetyksen.

h) **Älä koskaan käytä vahingoittuneita tai vääriä sahanterän kiinnitysvälaineitä, kuten laippoja, sahanterän aluslaattoja, pultteja tai muttereita.** Nämä kiinnitysvälaineet on suunniteltu erityisesti sahalle turvallista toimintaa ja optimaalista suorituskykyä varten.

i) **Älä koskaan seiso pöytäsahan päällä, älä käytä sitä astinlautana.** Voi aiheutua vakavia vammoja, jos työkalu kallistuu tai jos ollaan tahattomasti kosketuksissa leikkuutyökaluun.

j) **Varmista, että sahanterä on asennettu pyörimään oikeaan suuntaan. Älä käytä pöytäsahalla hiomalaikkoja, teräsharjoja tai teräsuojalaikkoja.** Sahanterän vääriä asennusta sellaista lisävarusteiden käyttöä, joita ei ole suositeltu, voi aiheuttaa vakavia loukkaantumisia.

#### Täydentäviä turvallisuusmääräyksiä ja työskentelyohjeita

Urittaminen, jyrsiminen, halkaisusahaus ja muotoilupään leikkaus ovat kiellettyjä.

Käytä korvasuojia. Melulle altistuminen voi heikentää kuuloa.

Käytä suojavarusteita. Käytä aina suoja-laseja käyttäessäsi konetta. Suosittelemme suojarusteiden käyttöä, näihin kuuluvat pölysuojajanaamari, työkasineet, tukevat, luistamattomat jalkineet, kypärä ja kuulosuojukset.

Työstössä syntyvä pöly saattaa olla terveydelle vahingollista, joten sen koskettaminen tai hengittäminen tulisi välttää. Liitä kone kohdeimujärjestelmään ja käytä sopivaa pölysuojaa kasvoilla. Poista laskeutunut pöly huolellisesti esimerkiksi pölynimurilla.

Varmista, että kone seisoo aina tukevasti paikallaan.

On suositeltavaa lukea käyttöohje huolellisesti läpi ennen laitteen ensimmäistä käyttöä ja perehtyä laitteen käsittelyyn käytännössä ohjauksen alaisena.

Älä käytä sahanterä, jotka ovat vahingoittuneet tai vääntyneet.

Käytä vain asianmukaisesti teroitettuja sahanterä.

Käytä vain tässä käyttöoppaassa määritellyjä puuntyöstöterä, jotka vastaavat standardia EN 847-1.

Melun minimoiseksi terän täytyy olla terävä ja kaikki melun alentamiseen vaikuttavat osat (suojukset jne.) tulee säätää asianmukaisesti.

Koneen kanssa saa käyttää vain sellaisia terä, jotka ovat EN 847-1 mukaisia.

Teriä tulee kuljettaa ja säilyttää sopivassa säilytyskotelossa.

Valitse sahattavalle materiaalille sopiva sahanterä.

Sahanterään merkitty suurinta kierroslukua ei saa ylittää.

Ei saa käyttää pikateräksistä valmistettuja sahanterä.



Ei saa käyttää hiomalaikkoja!

**POISTA SÄÄTÖAVAIMET.** Ota tavaksi tarkistaa, että säätöavaimet on poistettu koneesta ennen kuin käynnistät sen.

Koneessa, mukaanluettuna suojavarusteissa tai sahanterissä, ilmevänt viat tulee ilmoittaa heti niiden havaitsemisen jälkeen koneen turvallisuudesta käytöstä vastuulliselle henkilölle.

Älä tartu käynnistetyn laitteen työskentelyalueelle.

Lastuja tai puruja ei saa poistaa koneen käydessä.

Suojakupua ei saa käyttää kahvana koneen kuljetuksessa!

Koneen kuljetuksen aikana ylemmän suojakuvun täytyy peittää sahanterän yläosa.

Tarkista, että ohjainlaite on yhdensuuntaisesti terän kanssa.

Pidä lattia puhtaana materiaaliäjätteistä, esim. purusta ja sahausjätteistä.

Kaikkien asiaankuuluvien rakennusalan määräysten noudattamisesta huolimatta koneen käyttöön liittyy vielä vaaroja, joita voivat aiheuttaa esimerkiksi:

työkappaleista sinkoutuvat osat, vaurioituneista teristä sinkoutuvat terän osat, melupäästöt, puupölypäästöt.

Ota akku pois ennen kaikkia koneeseen tehtäviä toimenpiteitä.

**VAROITUS!** Jotta vältetään lyhytsulun aiheuttama tulipalon, loukkaantumisen tai tuotteen vahingoittumisen vaara, älä koskaan upota työkalua, vaihtoakkuja tai latauslaitetta nesteeseen ja huolehdi siitä, ettei mitään nesteitä pääse tunkeutumaan laitteiden tai akkujen sisään. Syövyttävät tai sähköä johtavat nesteet, kuten suolavesi, tietyt kemikaalit ja lalkaisuaaineet tai valkaisuaaineita sisältävät tuotteet voivat aiheuttaa lyhytsulun.

Käytä ainoastaan System M18 latauslaitetta System M18 akkujen lataukseen. Älä käytä muiden järjestelmien akkuja.

Vaihtoakkuja ja latauslaitteita ei saa avata. Säilytys vain kuivissa tiloissa. Suojattava kosteudelta.

## VAROITUS



Tämä laite sisältää litium-nappipariston. Uusi tai käytetty akku voi aiheuttaa vakavia sisäisiä palovammoja ja johtaa kuolemaan alle kahdessa tunnissa, jos se niellään tai joutuu jollakin muulla tavalla kehoon. Kiinnitä aina paristolokeron kansi. Jos se ei sulkeudu turvallisesti, pysäytä laite, poista akku ja pidä se lasten ulottumattomissa. Jos epäilet, että jokin henkilö on niellyt akun tai että se on joutunut jollakin muulla tavalla kehoon, tämän henkilön täytyy hakeutua välittömästi lääkärin hoitoon.

## TARKOITUKSENMUKAINEN KÄYTTÖ

Käytä pöytäpyörösahaa vain puun ja puutuotteiden sahaamiseen.

Älä koskaan käytä pöytäpyörösahaa muiden kuin käyttöohjeissa luettelujen materiaalien leikkaamiseen.

Työkappaleita, joiden halkaisija on pyöreä tai epäsuunnollinen (esim. polttopuita), ei saa sahata, koska niitä ei voida pitää tukevasti paikallaan sahaamisen aikana. Sahattaessa laakeita työkappaleita pystyasennossa tulee käyttää sopivaa tukivastetta niiden turvallisista kuljettamista varten.

Halkaisuleikkaus, katkaisuleikkaus, viisteleikkaus ja jirileikkaus käyttäen enint. yhtä asennettua sahanterää.

## JÄÄMÄRISKIT

Vaikka tuotetta käytetäänkin määräysten mukaisesti, niin jäämäriskejä ei voida välttää täysin. Käytössä saattaa esiintyä seuraavia riskejä, ja siksi käyttäjän tulee muistaa seuraavat asiat:

- Kuulovammojen välttämiseksi tulee rajoittaa altistamisaikaa ja käyttää sopivia kuulosuojuksia.

- Käyttäjän tulee ryhtyä sopiviin toimenpiteisiin tärinän vaikutusten vähentämiseksi ja rajoittaa altistamisaikaa.

- Sahauspölyn sisäänhengittämistä mahdollisesti aiheutuvien terveydellisten haittojen välttämiseksi tulee käyttää suojanamaria.

## HUOLTO

Poista akku ennen laitteen säätö-, puhdistus- ja huoltotöiden aloittamista.

Muista irrottaa laite virtalähteestä, ennen kuin kiinnität tai irrotat sahanterän.

Poistakaa pöly säännöllisesti. Poistakaa sahan sisäosiin kertyneet sahanpurut palovaaran välttämiseksi.

Vaihda loppuun kulunut pöydän sisäke uuteen.

Puhdista laite ja suojavarusteet kuivalla liinalla.

Pidä moottorin ilmanottoaukot puhtaina.

Käytä ainoastaan Milwaukee lisätarvikkeita ja Milwaukee varaosia. Mikäli jokin komponentti, jota ei ole kuvailtu, tarvitsee vaihtoa ota yhteys johonkin Milwaukee palvelupisteeseen (kts. listamme takuu-huoltoliikkeiden/ palvelupisteiden osoitteista)

Tarpeen vaatiessa voit pyytää lähettämään laitteen kokoonpanopiirustuksen ilmoittamalla arvokiven numeron seuraavasta osoitteesta: Technonic Industries GmbH, Max-Eyth-Strasse 10, 71364 Winnenden, Germany.

## ONE-KEY™

Lue mukana toimitettu pikakäyttöohje tai käy verkossa sivulla <http://www.milwaukee.com/one-key> tutustuaaksesi tämän laitteen ONE-KEY-toiminnallisuuteen.

Voit ladata ONE-KEY-sovelluksen App Storen tai Google Playn kautta älypuhelimellesi.

Koostustulos täyttää standardien EN 301 489-1 / EN 301 489-17 mukaiset vähimmäisvaatimuksemme. Annamme ohjausta toiminnasta asiakkaille käyttöoppaassa.

## AKKU

Pitkään käyttämättä olleet vaihtoakut on ladattava ennen käyttöä.

Yli 50°C lämpötilassa akun suorituskyky heikkenee. Välttähän akkujen säilyttämistä auringossa tai kuivissa tiloissa.

Pidä aina latauslaitteen ja akun kosketinpinnat puhtaina.

Optimaalisen käyttöiän saavuttamiseksi akut on ladattava täyteen käytön jälkeen. Pitkään käyttämättä olleet vaihtoakut on ladattava ennen käyttöä.

Mahdollisimman pitkän elinajan takaamiseksi akut tulee poistaa laturista lataamisen jälkeen.

Akkua yli 30 päivää säilytetäessä: Säilytä akku yli 27 °C:ssa ja kuivassa. Säilytä akku sen latauksen ollessa 30 % - 50 % . Lataa akku 6 kuukauden välein uudelleen.

Käytettyjä vaihtoakkuja ei saa polttaa eikä poistaa normaalin jätehuollon kautta. Milwaukeeella on tarjolla vanhoja vaihtoakkuja varten ympäristöystävällinen jätehuoltopalvelu.

Vaihtoakkuja ei saa säilyttää yhdessä metalliesineiden kanssa (oikosulkuvaara).

Vaurioituneesta akusta saattaa erityisen kovassa käytössä tai poikkeavassa lämpötilassa vuotaa akkuhappoa. Ihonkohta, joka on joutunut kosketukseen akkuhapon kanssa on viipymättä pestävä vedellä ja saippualla. Silmä, johon on joutunut akkuhappoa, on huuhdeltava vedellä vähintään 10 minuutin ajan, jonka jälkeen on viipymättä hakeuduttava lääkärin apuun.

On varottava, ettei latauslaitteen vaihtoakkulatauskoloon joudu metalliesineitä (oikosulkuvaara).



## AKUN YLIKUORMITUSSUOJAUS

Jos akku ylikuormittuu liian suuren virrankulutuksen vuoksi, esim. äärimmäisen suurissa vääntömomenteissa, liitetyn työkalun kiinnijuuutuessa, äkkipysähdyksessä tai oikosulussa, niin sähkötyökalu pysähtyy 2 sekunnin ajaksi ja sammuu sitten omatoimisesti. Käynnistä laite uudelleen päästämällä katkaisinpainikkeen irti ja käynnistämällä laitteen sitten uudelleen. Erittäin suuressa kuormituksessa saattaa akku kuumeta liikaa. Tässä tapauksessa akku kytkeytyy pois. Työnä akku sitten latauslaitteeseen ja lataa se jälleen, jotta se aktivoituu.

## LITIUMI-IONIAKKUJEN KULJETTAMINEN

Litiumi-ioniakut kuuluvat vaarallisten aineiden kuljetuksesta annettujen lakien piiriin.

Näiden akkujen kuljettaminen täytyy suorittaa noudattaen paikallisia, kansallisia ja kansainvälisiä määräyksiä ja säädöksiä.

Kuluttajat saavat ilman muuta kuljettaa näitä akkuja teitä pitkin.

Kaupallisessa kuljetuksessa huolintaliikkeiden täytyy kuljettaa litiumi-ioniakkuja vaarallisten aineiden kuljetuksesta annettujen määräysten mukaisesti. Ainoastaan tähän vastaavasti koulutetut henkilöt saavat suorittaa kuljetuksen valmistelutoimet ja itse kuljetuksen. Koko prosessia tulee valvoa asiantuntevasti.

Seuraavat kohdat tulee huomioida akkuja kuljetettaessa:

Varmista, että akkujen kontaktit on suojattu ja eristetty, jotta vältetään lyhytsulut. Huolehdi siitä, ettei akkusarja voi luiskahtaa paikaltaan pakkauksen sisällä. Vahingoittuneita tai vuotavia akkuja ei saa kuljettaa. Pyydä tarkemmat tiedot huolintaliikkeeltäsi.

## TODISTUS CE-STANDARDINMUKAISUUDESTA

Vakuutamme täten olevamme yksin vastuussa siitä, että kohdassa "Tekniset tiedot" kuvattu tuote vastaa kaikkia direktiivien merkityksellisiä säädöksiä  
2011/65/EU (RoHS)  
2006/42/EY  
2014/53/EU

ja seuraavia yhdenmukaistettuja standardeja on käytetty.

EN 62841-1:2015

EN 62841-3-1:2014+AC:2015+A11:2017

EN 62479:2010

EN 55014-1:2017+A11:2020

EN 55014-2:2015

EN IEC 63000:2018

EN 301 489-1 V2.2.3

EN 301 489-17 V3.1.1

EN 300 328 V2.2.2



Winnenden, 2020-11-11

Alexander Krug / Managing Director  
Valtuutettu kokoamaan tekniset dokumentit.

Techtronic Industries GmbH  
Max-Eyth-Straße 10, 71364 Winnenden, Germany

## SYMBOLIT



Lue käyttöohjeet huolellisesti, ennen koneen käynnistämistä.



HUOMIO! VAROITUS! VAARA!



Ota akku pois ennen kaikkia koneeseen tehtäviä toimenpiteitä.



Käytä kuulosuojaimia!

Koneella työskennellessä on käytettävä sopivaa suojainta.

Käytä laitteella työskennellessäsi aina suojalaseja.



Käytä suojakäsineitä!



Älä koskaan vie käsiäsi sahanterän alueelle.



Työkalu käytettävä sisätiloissa. Suojeltava sateelta.



Lisälaitte - Ei sisälly vakiovarustukseen, saatavana lisätarvikkeena.



Paininlevyjä ja työntöblokkeja voi ostaa erikoisliikkeistä. Käytä vain korkealaatuisia lisävarusteita.



Sähkölaitteita, paristoja/akkuja ei saa hävittää yhdessä kotitalousjätteiden kanssa. Sähkölaitteet ja akut tulee kerätä erikseen ja toimittaa kierrätysliikkeeseen ympäristöystävällistä hävittämistä varten. Pyydä paikallisilta viranomaisilta tai alan kauppiailta tarkemmat tiedot kierrätyspisteistä ja keräyspaikoista.

n<sub>0</sub>

Kuormittamaton kierrosluku

V

Jännite AC

==

Tasavirta

CE

Euroopan säännönmukaisuusmerkki

UK CA

Britannian säännönmukaisuusmerkki

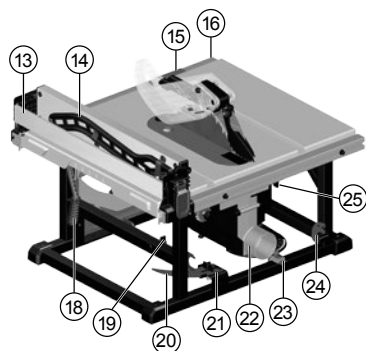
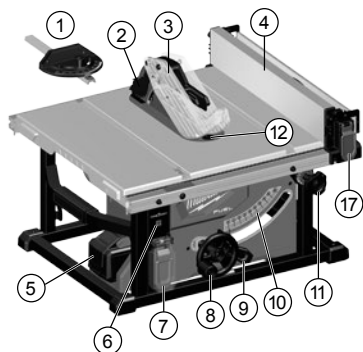
001

Ukrainan säännönmukaisuusmerkki

EAC

Euraasian säännönmukaisuusmerkki

| ΤΕΧΝΙΚΑ ΣΤΟΙΧΕΙΑ   |                                    | M18 FTS210                |
|--|------------------------------------|---------------------------|
| <b>Επιτραπέζιο δισκοπρίονο</b>   |                                    |                           |
| Αριθμός παραγωγής  | 4609 60 02...<br>... 000001-999999 |                           |
| Τάση ανταλλακτικής μπαταρίας   | 18 V                               |                           |
| Αριθμός στροφών χωρίς φορτίο   | 6300 min <sup>-1</sup>             |                           |
| Ζώνη συχνότητας  | 2402-2480 MHz                      |                           |
| Ισχύς εκπομπής   | 1,8 dBm                            |                           |
| Διάμετρος λεπίδας πριονιού x διάμετρος διάτρησης   | 210 x 30 mm                        |                           |
| Πάχος σώματος πριονολεπίδας  | Μέγ. 1,55 mm                       |                           |
| Πάχος οδόντος  | Ελάχ. 1,8 mm<br>Μέγ. 2,2 mm        |                           |
| Μεγ. Βάθος τομής στους 0 / 45°   | 63,5 / 44 mm                       |                           |
| Απόσταση μεταξύ του φράκτη κοπής και της λεπίδας πριονιού Μέγ.   | Αριστερά<br>Δεξιά                  | 310 mm<br>525 mm / 622 mm |
| Βάρος σύμφωνα με τη διαδικασία ΕΡΤΑ 01/2014 (Li-Ion 2,0 Ah ... 12,0 Ah)  | 21,2 kg ... 22,3 kg                |                           |
| Συνιστώμενη θερμοκρασία περιβάλλοντος για τη λειτουργία  | -18°C ... +50°C                    |                           |
| Συνιστώμενη δέσμη συσσωρευτών  | M18B... / M18HB...                 |                           |
| Συνιστώμενη συσκευή φόρτισης   | M12-18... / M1418 C6               |                           |
| <b>Πληροφορίες θορύβου</b>   |                                    |                           |
| Τιμές μέτρησης εξακριβωμένες κατά EN 62841. Η σύμφωνη με την καμπύλη Α εκτιμηθείσα στάθμη θορύβου του μηχανήματος αναφέρεται σε: |                                    |                           |
| Στάθμη ηχητικής πίεσης (Ανασφάλεια K=3dB(A))   | 92,37 dB(A)                        |                           |
| Στάθμη ηχητικής ισχύος (Ανασφάλεια K=3dB(A))   | 103,37 dB(A)                       |                           |
| <b>Φοράτε προστασία ακοής (ωτασπίδες)!</b>   |                                    |                           |



#### Περιγραφή συσκευής

- ① Δείκτης λοξοτομής
- ② Κλειδώματα αντιρράχυνσης
- ③ Μαχαίρι διαχωρισμού με προστατευτικό / Προστατευτικό λεπίδας
- ④ Φράκτης κοπής
- ⑤ ΜΠΑΤΑΡΙΑ
- ⑥ Δείκτης ONE KEY
- ⑦ Διακόπτης ισχύος τηλεχειριστηρίου / Προστατευτικό κλειδώματος
- ⑧ Χειροτροχός με ρυθμιζόμενο ύψος
- ⑨ Μοχλός ασφάλισης της γωνίας
- ⑩ Γωνία κλίσης
- ⑪ Τροχός ρύθμισης φράχτη
- ⑫ Πλάκα εμβόλου / Θήκη πλάκας εμβόλου
- ⑬ Επέκταση φλιπ φράχτη
- ⑭ Ραβδί ώθησης
- ⑮ Κλίμακα αφαίρεσης Δείκτης
- ⑯ Κλίμακα αφαίρεσης
- ⑰ Ασφάλιση φράχτη
- ⑱ Κλειδί λεπίδας αποθήκευση / Κλειδί λεπίδας
- ⑲ Μαχαίρι διαχωρισμού
- ⑳ Μαχαίρι διαχωρισμού / Μαχαίρι διαχωρισμού με προστατευτικό αποθήκευση
- ㉑ Σωλήνας σκόνης
- ㉒ Δείκτης λοξοτομής αποθήκευση
- ㉓ Κλειδώματα αντιρράχυνσης αποθήκευση
- ㉔ Μαχαίρι διαχωρισμού μοχλός απελευθέρωσης



**ΠΡΟΕΙΔΟΠΟΙΗΣΗ** Διαβάστε όλες τις υποδείξεις ασφαλείας, τις οδηγίες, τις εικόνες και τα δεδομένα, τα οποία θα λάβετε μαζί με το μηχάνημα. Αμείλιες κατά την τήρηση των προειδοποιητικών υποδείξεων μπορεί να προκαλέσουν ηλεκτροπληξία, κίνδυνο πυρκαγιάς ή/και σοβαρούς τραυματισμούς. **Φυλάξτε όλες τις προειδοποιητικές υποδείξεις και οδηγίες για κάθε μελλοντική χρήση.**



## ΟΔΗΓΙΕΣ ΑΣΦΑΛΕΙΑΣ ΓΙΑ ΕΠΙΤΡΑΠΕΖΙΑ ΠΡΙΟΝΙΑ

### 1) Προειδοποιήσεις που σχετίζονται με την ασφάλεια

- Κρατήστε τα προστατευτικά στη θέση τους. Τα προστατευτικά πρέπει να είναι σε καλή κατάσταση και να τοποθετούνται σωστά.** Το προστατευτικό που είναι χαλαρό, έχει καταστραφεί ή δεν λειτουργεί σωστά πρέπει να επισκευαστεί ή να αντικατασταθεί.
- Πάντοτε να χρησιμοποιείτε το προστατευτικό της λεπίδας του πριονιού, το μαχαίρι διαχωρισμού και την συσκευή αντιρράχυνσης για κάθε λειτουργία κοπής.** Για τις εργασίες μέσης κοπής όπου η λεπίδα του πριονιού διαπερνά εντελώς μέσα από το πάχος του αντικείμενου εργασίας, το προστατευτικό και άλλοι μηχανισμοί ασφαλείας συμβάλλουν στη μείωση του κινδύνου του τραυματισμού.
- Αμέσως, τοποθετήστε ξανά το σύστημα προστασίας μετά την ολοκλήρωση μιας λειτουργίας (όπως η ράβδωση), η οποία απαιτεί την αφαίρεση του προστατευτικού, του μαχαίριού διαχωρισμού και/ή της συσκευής αντιρράχυνσης.** Το προστατευτικό, το μαχαίρι διαχωρισμού και η συσκευή αντιρράχυνσης συμβάλλουν στη μείωση του κινδύνου του τραυματισμού.
- Πριν την ενεργοποίηση του διακόπτη, βεβαιωθείτε ότι η λεπίδα του πριονιού δεν έρχεται σε επαφή με το προστατευτικό, το μαχαίρι διαχωρισμού ή το αντικείμενο εργασίας.** Η ακούσια επαφή αυτών των αντικειμένων με τη λεπίδα του πριονιού μπορεί να προκαλέσει επικίνδυνες καταστάσεις.
- Ρυθμίστε τη σφήνα όπως περιγράφεται στις οδηγίες χειρισμού.** Η εσφαλμένη τήρηση της απόστασης, της τοποθέτησης και της ευθυγράμμισης μπορεί να προκαλέσουν αναποτελεσματικότητα του μαχαίριού διαχωρισμού αναφορικά με τη πιθανότητα μείωσης της αντιρράχυνσης.
- Προκειμένου να λειτουργήσει το μαχαίρι διαχωρισμού και η συσκευή αντιρράχυνσης, θα πρέπει να βρίσκονται σε λειτουργία στο αντικείμενο εργασίας.** Το μαχαίρι διαχωρισμού και η συσκευή αντιρράχυνσης είναι αναποτελεσματικά κατά την κοπή αντικειμένων που είναι πολύ μικρά για να κοπούν με το μαχαίρι και την συσκευή αντιρράχυνσης. Υπό αυτές τις συνθήκες δεν μπορεί να γίνει πρόληψη της αντιρράχυνσης από το μαχαίρι διαχωρισμού και την συσκευή αντιρράχυνσης.
- Χρησιμοποιείτε πάντοτε την κατάλληλη σφήνα για τον εκάστοτε χρησιμοποιούμενο πριονόδισκο.** Προκειμένου το μαχαίρι διαχωρισμού να λειτουργεί κατάλληλα, η διάμετρος του πριονιού πρέπει να ταιριάζει με το κατάλληλο μαχαίρι διαχωρισμού και το σώμα του πριονιού πρέπει να είναι λεπτότερο από το πάχος του μαχαίριού διαχωρισμού και το πλάτος κοπής του πριονιού πρέπει να είναι μεγαλύτερο από το πάχος του μαχαίριού διαχωρισμού.

### 2) Προειδοποιήσεις διαδικασιών κοπή

- ΚΙΝΔΥΝΟΣ: Μην τοποθετείτε ποτέ τα δάχτυλά σας ή τα χέρια σας κοντά ή σε ευθεία με το πριόνι.** Μια στιγμή απροσεξίας ή ολίσθησης μπορεί να κατεβύθει το χέρι σας προς την λεπίδα του πριονιού και να προκαλέσει σοβαρό τραυματισμό.
- Τροφοδοτήστε το αντικείμενο εργασίας στην λεπίδα του πριονιού μόνο προς την κατεύθυνση της περιστροφής.** Η τροφοδοσία του αντικείμενου εργασίας προς την ίδια κατεύθυνση που περιστρέφεται η λεπίδα του πριονιού στο τραπέζι μπορεί να τραβήξει το αντικείμενο εργασίας καθώς και το χέρι σας μέσα στην λεπίδα του πριονιού.
- Ποτέ μην χρησιμοποιείτε τον δείκτη λοξοτομής για να τροφοδοτήσετε το αντικείμενο εργασίας όταν κάνετε τομή και μην χρησιμοποιείτε τον φράκτη κοπής ως διακοπή μήκους όταν κάνετε εγκάρσια κοπή με τον δείκτη λοξοτομής.** Η καθοδήγηση του αντικείμενου εργασίας με το φράκτη κοπής και τον δείκτη λοξοτομής αυξάνει ταυτόχρονα την πιθανότητα κολλήματος της λεπίδας του πριονιού και αντιρράχυνσης.
- Κατά την κοπή, να δίνετε πάντα τη δύναμη τροφοδοσίας του αντικείμενου μεταξύ του φράκτη και του πριονιού.** Χρησιμοποιήστε ένα ραβδί ώθησης όταν η απόσταση μεταξύ του φράκτη και του πριονιού είναι μικρότερη από 150 χιλ. και χρησιμοποιήστε ένα μπλοκ ώθησης όταν η απόσταση αυτή είναι μικρότερη από 50 χιλ. Οι συσκευές „βοηθίας κατά την εργασία“ θα κρατήσουν το χέρι σας σε ασφαλή απόσταση από την λεπίδα του πριονιού.
- Χρησιμοποιείτε μόνο το ραβδί ώθησης που παρέχεται από τον κατασκευαστή ή κατασκευάζεται σύμφωνα με τις οδηγίες.** Αυτή η ράβδος ώθησης παρέχει επαρκή απόσταση από το χέρι μέχρι την λεπίδα του πριονιού.
- Μην χρησιμοποιείτε ποτέ ένα στικ που έχει υποστεί φθορά ή έχει κοπεί.** Ένα ραβδί ώθησης με φθορά μπορεί να σπάσει και να οδηγήσει το χέρι σας να εισέλθει στο πριόνι.
- Μην εκτελέσετε καμία εργασία με „γυμνά χέρια“.** Χρησιμοποιείτε πάντα είτε τον φράκτη κοπής είτε τον δείκτη λοξοτομής για να τοποθετήσετε και να καθοδηγήσετε το αντικείμενο εργασίας. Γυμνά χέρια σημαίνει ότι χρησιμοποιείτε τα χέρια σας για να στηρίξετε ή να καθοδηγήσετε το αντικείμενο εργασίας, χωρίς τον φράκτη κοπής ή τον δείκτη λοξοτομής. Το πριόνισμα με γυμνά χέρια μπορεί να οδηγήσει σε κακή ευθυγράμμιση, κόλλημα και αντιρράχυνση.
- Μην πηγαίνεται ποτέ γύρω ή πάνω από μια περιστρεφόμενη λεπίδα πριονιού.** Η προσέγγιση στο αντικείμενο εργασίας μπορεί να οδηγήσει σε τυχαία επαφή με τη λεπίδα κινούμενου πριονιού.
- Δώστε βοηθητικό στήριγμα πίσω και/ή πλευρικά του τραπέζιου πριονιού για μακριά και/ή φορδιά αντικείμενα για να τα διατηρήσετε στο ίδιο επίπεδο.** Το μακρύ και/ή το φορδύ αντικείμενο εργασίας έχει την τάση να περιστρέφεται στην άκρη του τραπέζιου, προκαλώντας απώλεια ελέγχου, κόλλημα πριονιού και αντιρράχυνση.
- Τροφοδοτήστε το αντικείμενο εργασίας με ισορροπημένο ρυθμό. Μην λυγίσετε ούτε να στρίβετε το αντικείμενο εργασίας. Εάν παρουσιαστεί εμπλοκή, απενεργοποιήστε αμέσως το εργαλείο, αποσυνδέστε το εργαλείο και, στη συνέχεια, κάντε την απεμπλοκή.** Το σφήνωμα της λεπίδας

του πριονιού στο αντικείμενο εργασίας μπορεί να προκαλέσει αντιπρόσχυση ή σταμάτημα του κινητήρα.

**κ) Μην αφαιρείτε κομμάτια αποκομμάτων ενώ το πριόνι είναι ακόμα σε λειτουργία.** Το υλικό μπορεί να παγιδευτεί ανάμεσα στο φράκτη ή στο εσωτερικό του προστατευτικού του πριονιού και της λεπίδας του πριονιού και να τραβηχτεί τα δάχτυλά σας μέσα στο πριόνι. Απενεργοποιήστε το πριόνι και περιμένετε μέχρι να σταματήσει η λεπίδα του πριονιού πριν αφαιρέσετε το υλικό.

**ι) Χρησιμοποιήστε έναν βοηθητικό φράκτη σε επαφή με την επιφάνεια του τραπεζιού όταν κάνετε κοπή αντικειμένων με πάχος μικρότερο από 2 χιλ.** Ένα λεπτό αντικείμενο εργασίας μπορεί να σφηνωθεί κάτω από τον φράκτη κοπής και να δημιουργήσει αντιπρόσχυση.

### 3) Αιτίες και αποφυγή κλοστήματος:

Η αντιπρόσχυση είναι μια απότομη αντίδραση του αντικειμένου λόγω φθαρμένου, σφηνωμένου πριονιού ή λανθασμένης γραμμής κοπής στο αντικείμενο εργασίας σε σχέση με την λεπίδα του πριονιού ή όταν ένα τμήμα του κομματιού αντικειμένου εργασίας σφηνώνεται μεταξύ της λεπίδας πριονιού και του φράκτη κοπής ή άλλου σταθερού αντικειμένου.

Πολύ συχνά κατά τη διάρκεια της αντιπρόσχυσης, το κατεργαζόμενο αντικείμενο ανυψώνεται από το τραπέζι από το πίσω τμήμα της λεπίδας του πριονιού και κατευθύνεται προς τον χειριστή.

Το κλόστωμα αποτελεί συνέπεια ενός εσφαλμένου ή ελλιπού χειρισμού του πριονιού. Μπορεί να αποφευχθεί με κατάλληλα προληπτικά μέτρα, όπως αυτά που περιγράφονται παρακάτω.

**α) Μην στέκεστε ποτέ ευθεία προς τη λεπίδα του πριονιού.**

**β) Τοποθετείτε πάντα το σώμα σας στην ίδια πλευρά του πριονιού που είναι και ο φράκτης.** Η αντιπρόσχυση μπορεί να κατευθύνει το αντικείμενο εργασίας με μεγάλη ταχύτητα προς όποιον στέκεται μπροστά και ευθεία προς το πριόνι.

**γ) Μην πηγαίνατε ποτέ πάνω από ή πίσω από το πριόνι για να τραβήξετε ή να στηρίξετε το αντικείμενο εργασίας.** Μπορεί να γίνει τυχαία επαφή με την λεπίδα του πριονιού ή αντιπρόσχυση και να τραβηχτεί τα δάχτυλά σας μέσα στο πριόνι.

**δ) Ποτέ μην κρατάτε και πιέζετε το αντικείμενο εργασίας που αποκόπεται από την περιστρεφόμενη λεπίδα πριονιού.** Η πίεση του αντικειμένου εργασίας που αποκόπεται από τη λεπίδα του πριονιού θα προκαλέσει σφηνώμα και αντιπρόσχυση.

**ε) Ευθυγραμμίστε τον φράκτη ώστε να είναι παράλληλος με το πριόνι.** Ένας μη ευθυγραμμισμένος φράκτης θα πιέσει το αντικείμενο εργασίας πάνω στο πριόνι και θα δημιουργήσει αντιπρόσχυσεις.

**ς) Χρησιμοποιήστε ένα πτερύγιο για να καθοδηγήσετε το αντικείμενο προς το τραπέζι και τον φράκτη όταν κάνετε μη-ευθείς τομές όπως οι ραβδώσεις.** Το πτερύγιο βοηθάει στον έλεγχο του αντικειμένου σε περίπτωση αντιπρόσχυσης.

**ζ) Να δίνετε ιδιαίτερη προσοχή κατά την κοπή σε κούφες περιοχές των συναρμολογημένων αντικειμένων.** Η προσέχουσα λεπίδα πριονιού μπορεί να κόψει αντικείμενα που μπορούν να προκαλέσουν αντιπρόσχυση.

**η) Η προσέχουσα λεπίδα πριονιού μπορεί να κόψει αντικείμενα που μπορούν να προκαλέσουν αντιπρόσχυση.** Τα μεγάλα πάνελ τείνουν να γέρνουν υπό το βάρος τους. Η στήριξη(εις)

πρέπει να τοποθετηθεί(ουν) κάτω από όλα τα τμήματα του πάνελ που προσέχουν από την κορυφή του τραπεζιού.

**η) Προσέξτε ιδιαίτερα όταν κόβετε ένα τμήμα που είναι στριμμένο, με κόμπους, στρεβλωμένο ή δεν έχει μια ευθεία άκρη για να το ωθήσετε με έναν δείκτη λοξοτομής ή κατά μήκος του φράκτη.** Το στρεβλωμένο, με κόμπους ή στριμμένο αντικείμενο εργασίας είναι ασταθές και προκαλεί κακή ευθυγράμμιση της εντομής με τη λεπίδα του πριονιού, σφηνώμα και αντιπρόσχυση.

**ι) Ποτέ μην κόβετε περισσότερα από ένα κομμάτια αντικειμένου εργασίας, στοιβαγμένα κάθετα ή οριζόντια.** Η λεπίδα του πριονιού μπορεί να τραβήξει ένα ή περισσότερα κομμάτια και να προκαλέσει αντιπρόσχυση.

**ι) Όταν επανεκκινείτε το πριόνι έχοντας τα αντικείμενα εργασίας στη λεπίδα του πριονιού, κεντράρετε την λεπίδα του πριονιού στην εντομή πριονιού, έτσι ώστε τα δόντια του πριονιού να μην ακουμπάνε το υλικό.** Εάν η λεπίδα του πριονιού σφηνώνει, μπορεί να σκώσει το αντικείμενο εργασίας και να προκαλέσει αντιπρόσχυση όταν επανεκκινήσετε το πριόνι.

**κ) Κρατήστε τις λεπίδες του πριονιού καθαρές, ακονισμένες και με κατάλληλη τοποθέτηση.** Ποτέ μην χρησιμοποιείτε στρεβλωμένες λεπίδες πριονιών ή πριονωτές λεπίδες με ραγιαμένα ή σπασμένα δόντια. Οι ομοιόμορφες και σωστά τοποθετημένες λεπίδες πριονιών ελαχιστοποιούν το σφηνώμα, το σταμάτημα και την αντιπρόσχυση.

### 4) Προειδοποιησιές διαδικασίας λειτουργίας πίνακα

**α) Απενεργοποιήστε το πριόνι του τραπεζιού και αποσυνδέστε την μπαταρία όταν αφαιρείτε το ένθετο του τραπεζιού, αλλάζετε το πριόνι ή ρυθμίζετε το μαχαίρι διαχωρισμού, την συσκευή αντιπρόσχυσης ή την προστατευτική λάμα και όταν το μηχάνημα παραμένει χωρίς επίβλεψη.** Τα προληπτικά μέτρα θα αποτρέψουν τα ατυχήματα.

**β) Μην αφήνετε το πριόνι να δουλεύει χωρίς επιτήρηση.** Απενεργοποιήστε το και μην εγκαταλείψετε το εργαλείο μέχρι να σταματήσει τελείως. Ένα μη επιτηρούμενο τρέχον πριόνι είναι ένας ανεξέλεγκτος κίνδυνος.

**γ) Τοποθετήστε το πριόνι τραπεζιού σε μια καλά φωτισμένη και επίπεδη περιοχή όπου μπορείτε να διατηρήσετε καλή βάση και ισορροπία. Θα πρέπει να εγκατασταθεί σε μια περιοχή που παρέχει αρκετό χώρο για εύκολο χειρισμό του μεγέθους του αντικειμένου σας.** Στεγασμένες, σκοτεινές περιοχές και ανομοιόμορφα ολισθηρά δάπεδα προκαλούν ατυχήματα.

**δ) Καθαρίστε συχνά και αφαιρέστε τη σκόνη από το πριόνι κάτω από το τραπέζι πριονιού ή/και τη συσκευή συλλογής σκόνης.** Η συσσωρευμένη σκόνη πριονιού είναι εύφλεκτο και μπορεί να αυτοαναφλέγεται.

**ε) Το πριόνι τραπεζιού πρέπει να είναι ασφαλές.** Το πριόνι του τραπεζιού που δεν είναι σωστά ασφαλισμένο μπορεί να κουνηθεί ή να αναστατωθεί.

**ς) Αφαιρέστε τα εργαλεία, τα ξύλινα κομματάκια κ.λπ. από το τραπέζι πριν ενεργοποιήσετε το πριόνι.** Η αποσταθεροποίηση ή ενδεχόμενη εμπλοκή μπορεί να είναι επικίνδυνη.

**ζ) Να χρησιμοποιείτε πάντοτε λεπίδες πριονιού με το σωστό μέγεθος και σχήμα (διαμάντι έναντι στρογγυλής)**



**ωτών τρύπας.** Οι λεπίδες πριονιού που δεν ταιριάζουν με το υλικό τοποθέτησης του πριονιού θα διαπεράσουν το κέντρο, προκαλώντας απώλεια ελέγχου.

h) **Ποτέ μην χρησιμοποιείτε φθαρμένα ή λάθος μέσα εφαρμογής λεπίδας πριονιού όπως τις φλάντζες, ροδέλες πριονιού, βίδες ή παξιμάδια.** Αυτά τα μέσα εφαρμογής έχουν σχεδιαστεί ειδικά για το πριόνι σας, για ασφαλή λειτουργία και βέλτιστη απόδοση.

i) **Ποτέ μην στέκεστε στο τραπέζι πριονιού, μην το χρησιμοποιείτε ως σκαλοπάτι.** Μπορεί να προκληθεί σοβαρός τραυματισμός σε περίπτωση που το εργαλείο γείρει ή εάν το εργαλείο κοπής έρθει σε επαφή τυχαία.

j) **Βεβαιωθείτε ότι η λεπίδα του πριονιού έχει εγκατασταθεί για να περιστραφεί προς τη σωστή κατεύθυνση. Μην χρησιμοποιείτε τροχούς λείανσης, συρμάτινες βούρτσες ή λειαντικούς τροχούς σε πριόνι τραπέζιου.** Η ακατάλληλη εγκατάσταση λεπίδας πριονιού ή η χρήση αζεσουάρ που δεν συνιστάται μπορεί να προκαλέσει σοβαρούς τραυματισμούς.

### Περαιτέρω οδηγίες ασφαλείας και χρήσεως

Απαγορεύεται η κοπή, η όργωμα, η επανατοποθέτηση και η κοπή της κεφαλής.

Φοράτε ωτοασπίδες. Η επίδραση του θορύβου μπορεί να προκαλέσει απώλεια ακοής.

Χρησιμοποιείτε προστατευτικό εξοπλισμό. Κατά την εργασία με τη μηχανή φοράτε πάντα προστατευτικά γυαλιά. Συνιστούμε επίσης προστατευτική ενδυμασία όπως επίσης μάσκα προστασίας αναπνοής, προστατευτικά γάντια, σταθερά και ασφαλή στην ολίσθηση υποδήματα, κράνος και ωτοασπίδες.

Η δημιουργούμενη κατά την εργασία σκόνη είναι συχνά επιβλαβής για την υγεία και δεν πρέπει να έρχεται σε επαφή με το σώμα. Χρησιμοποιείτε μια διάταξη αναρρόφησης της σκόνης και φοράτε επιπλέον μια κατάλληλη προσωπικά προστασίας από τη σκόνη. Απομακρύνετε επιμελώς τη μαζεμένη σκόνη, π.χ. με αναρρόφηση.

Να σιγουρευέστε πως η μηχανή είναι σταθερή.

Πριν την χρήση της συσκευής για πρώτη φορά συνιστάται να διαβάσετε προσεκτικά τις οδηγίες χρήσης και να ζητήσετε να σας περιηγηθούν τον χειρισμό της συσκευής.

Μη χρησιμοποιείτε ελαττωματικές ή στρεβλωμένες πριονολάμες.

Χρησιμοποιείτε μόνο κανονικά ακονισμένους πριονοδίσκους.

Χρησιμοποιείτε μόνο λεπίδες επεξεργασίας ξύλου που καθορίζονται στο παρόν εγχειρίδιο, οι οποίες συμμορφώνονται με το πρότυπο EN 847-1.

Για την ελαχιστοποίηση της δημιουργίας θορύβου πρέπει το (κοπτικό) εξάρτημα να είναι ακονισμένο και όλα τα στοιχεία της μείωσης του θορύβου (καλύμματα κτλ.) να είναι σωστά ρυθμισμένα.

Επιτρέπεται να χρησιμοποιούνται μόνο εξαρτήματα, που ανταποκρίνονται στο πρότυπο EN 847-1.

Τα εργαλεία πρέπει να μεταφέρονται και να φυλάγονται σε ένα κατάλληλο δοχείο

Επιλέγετε ένα κατάλληλο πριονοδίσκο για το υλικό που θέλετε να κόψετε.

Πρέπει να τηρείται ο αναφερόμενος επάνω στον πριονοδίσκο μέγιστος αριθμός στροφών.

Δεν χρησιμοποιείτε πριονοδίσκους κατασκευασμένους από ταχυάλυβα.

Παρακαλώ, μην τοποθετείτε λειαντικούς δίσκους!

Απομακρύνετε τα κλειδιά σύσφιξης. Πριν να βάλετε σε λειτουργία το μηχανάκι, ελέγξτε πάντα πρώτα εάν έχουν απομακρυνθεί τα κλειδιά σύσφιξης.

Σφάλματα στη μηχανή, συμπεριλαμβανομένης της προστατευτικής διάταξης ή των πριονοδίσκων, πρέπει μόλις αυτά γίνουν αντιληπτά, να δηλωθούν στον υπεύθυνο ασφαλείας.

Μην απλώνετε τα χέρια σας στην επικίνδυνη περιοχή της μηχανής όταν είναι σε λειτουργία.

Τα γρέζια ή οι σκληθρες δεν επιτρέπεται να απομακρύνονται όσο η μηχανή βρίσκεται σε λειτουργία.

Ο επάνω προφυλακτήρας δεν επιτρέπεται να χρησιμοποιηθεί ως λάβη για τη μεταφορά του εργαλείου!

Κατά τη διάρκεια της μεταφοράς του εργαλείου πρέπει ο επάνω προφυλακτήρας να καλύπτει το επάνω μέρος του πριονοδίσκου.

Ελέγξτε, εάν ο παράλληλος οδηγός κοπής είναι παράλληλος με τη λεπίδα πριονιού.

Το δάπεδο να διατηρείται ελεύθερο από κατάλοιπα υλικών, π.χ. ροκανίδια κλπ..

Παρά την τήρηση όλων των σχετικών κανονισμών δόμησης, μπορούν κατά την λειτουργία της μηχανής να παρουσιαστούν κίνδυνοι, π.χ. από το πέταγμα τμημάτων κατεργασίας, το πέταγμα τμημάτων εργαλείων που έχουν υποστεί ζημιά, εκπομπή θορύβου, εκπομπή σκόνης ξύλου.


Πριν από κάθε εργασία στη μηχανή αφαιρείτε την ανταλλακτική μπαταρία.

**ΠΡΟΕΙΔΟΠΟΙΗΣΗ!** Για να αποτρέπεται τον κίνδυνο πυρκαγιάς λόγω βραχυκυκλώματος, τραυματισμούς ή ζημιές του προϊόντος, να μη βυθίζετε το εργαλείο, τον ανταλλακτικό συσσωρευτή ή τη συσκευή φόρτισης σε υγρά και να φροντίζετε, ώστε να μη διεισδύουν υγρά στις συσκευές και τους συσσωρευτές. Διαβρωτικές ή αγώγιμες υγρές ουσίες, όπως αλατόνερο, ορισμένες χημικές ουσίες και λευκαντικά ή προϊόντα που περιέχουν λευκαντικά, μπορεί να προκαλέσουν βραχυκύκλωμα.

Φορτίζετε τις ανταλλακτικές μπαταρίες του συστήματος M18 μόνο με φορτιστές του συστήματος M18. Μη φορτίζετε μπαταρίες από άλλα συστήματα.

Μην ανοίγετε τις ανταλλακτικές μπαταρίες και τους φορτιστές και χρησιμοποιείτε για αποθήκευση μόνο στεγνούς χώρους. Προστατεύετε τις ανταλλακτικές μπαταρίες και τους φορτιστές από την υγρασία.

### ΠΡΟΕΙΔΟΠΟΙΗΣΗ

 Αυτή η συσκευή περιέχει μία μπαταρία λιθίου τύπου κουμπιού/κέρματος. Μία νέα ή χρησιμοποιημένη μπαταρία μπορεί να προκαλέσει σοβαρά εξωτερικά εγκαύματα και να οδηγήσει σε θάνατο σε μόλις 2 ώρες σε περίπτωση κατάποσης ή εισόδου στο σώμα. Στερεώνετε πάντα το καπάκι στη θήκη μπαταριών. Εάν δεν κλείνει με ασφάλεια, σταματήστε τη συσκευή, αφαιρέστε την μπαταρία και κρατήστε την μακριά από παιδιά. Εάν πιστεύετε ότι κάποιος έχει καταπιεί την μπαταρία ή ότι έχει εισαχθεί με άλλο τρόπο στο σώμα, αναζητήστε άμεσα ιατρική φροντίδα.

### ΧΡΗΣΗ ΣΥΜΦΩΝΑ ΜΕ ΤΟ ΣΚΟΠΟ ΠΡΟΟΡΙΣΜΟΥ

Χρησιμοποιείτε το επιτραπέζιο δισκοπριόνι σας μόνο για το πριόνισμα ξύλου ή προϊόντων ξύλου.

Δεν χρησιμοποιείτε το επιτραπέζιο δισκοπριόνι για την κοπή διαφορετικών υλικών, από αυτά που αναφέρονται στις οδηγίες χειρισμού.

Δεν επιτρέπεται το κόψιμο αντικειμένων με στρογγυλή ή όχι μοιόμορφη διατομή (π.χ. καουτσούλα), διότι δεν συγκρατούνται καλά κατά το πριόνισμα. Όταν κόβετε όρθια αντικείμενα που είναι σχετικά λεπτά, να υπάρχει βοηθητικός οδηγός για ασφαλή καθοδήγηση.

Κοπή κατά μήκος, κοπή κατά πλάτος, κοπή διαγωνίως και κοπή στις γωνίες με μέγιστο μήκος προσαρμοσμένης λεπίδας πριονιού.

#### ΛΟΙΠΟΙ ΚΙΝΔΥΝΟΙ

Ακόμα και σε περίπτωση ορθής χρήσης του προϊόντος δεν μπορούν να αποκλειστούν λοιποί κίνδυνοι. Κατά τη χρήση μπορούν να παρουσιαστούν οι ακόλουθοι κίνδυνοι, για αυτόν τον λόγο ο χειριστής πρέπει να προσέξει τα παρακάτω:

- Για να αποφευχθεί βλάβη της ακοής πρέπει να περιοριστεί ο χρόνος έκθεσης και να χρησιμοποιούνται προστατευτικά μέσα της ακοής.

- Ο χειριστής πρέπει να λαμβάνει μέτρα για τη μείωση των κραδασμών και τον περιορισμό του χρόνου έκθεσης.

- Για τη μείωση των κινδύνων υγείας που μπορούν να προκύψουν από την εισπνοή πριονιδιών πρέπει να χρησιμοποιείται προστατευτική μάσκα αναπνοής.

#### ΣΥΝΤΗΡΗΣΗ

Αφαιρέστε το πακέτο συσσωρευτών, προτού ξεκινήσετε οποιαδήποτε εργασία ρύθμισης, καθαρισμού και συντήρησης στη συσκευή.

Αποσυνδέστε το εργαλείο από το ρεύμα πριν τοποθετήσετε ή αφαιρέσετε την λεπίδα κόπτη.

Απομακρύνετε τακτικά τη σκόνη. Απομακρύνετε τα πριονίδια που μαζεύονται στο εσωτερικό του πριονιού προς αποφυγή του κινδύνου ανάφλεξης.

Να αντικαθίσταται το φθαρμένο ένθετο του πάγκου.

Καθαρίζετε την συσκευή και τον εξοπλισμό προστασίας με ένα στεγνό πανί.

Διατηρείτε πάντοτε τις σχισμές εξερισμού της μηχανής καθαρές.

Χρησιμοποιείτε μόνο αξεσουάρ Milwaukee και ανταλλακτικά Milwaukee. Εξαρτήματα, που η αλλαγή τους δεν περιγράφεται, αντικαθίστανται σε μια τεχνική υποστήριξη της Milwaukee (βλέπε φυλλάδιο εγγύηση/ διευθυνσης τεχνικής υποστήριξης).

Όταν χρειάζεται, μπορείτε να ζητήσετε ένα σχέδιο συναρμολόγησης της συσκευής, δίνοντας τον τύπο της μηχανής και αριθμό στην πινακίδα ισχύος, από το κέντρο σέρβις ή απευθείας από τη φίρμα Techtronic Industries GmbH, Max-Eyth-Straße 10, 71364 Winnenden, Germany.

#### ONE-KEY™

Προκειμένου να μάθετε περισσότερα για τη λειτουργικότητα ONE-KEY της εν λόγω συσκευής, διαβάστε τον επισυναπτόμενο οδηγό γρήγορης εκκίνησης ή επισκεφτείτε τη σελίδα μας στο Διαδίκτυο <http://www.milwaukeeetool.com/one-key>

Μπορείτε να κατεβάσετε την εφαρμογή ONE-KEY στο Smartphone σας από το App Store ή το Google Play.

Το αποτέλεσμα δοκιμής εκπληρώνει τις ελάχιστες απαιτήσεις μας κατά EN 301 489-1 / EN 30149-17. Και θα προσφέρουμε καθοδήγηση στον πελάτη σχετικά με τον τρόπο λειτουργίας σε μορφή χειριδίου χρήσης.

#### ΜΠΑΤΑΡΙΕΣ

Επαναφορτίζετε τις ανταλλακτικές μπαταρίες που δεν έχουν χρησιμοποιηθεί για μεγαλύτερο χρονικό διάστημα πριν τη χρήση.

Μια θερμοκρασία πάνω από 50°C μειώνει την ισχύ της ανταλλακτικής μπαταρίας. Αποφύγετε τη θέρμανση για μεγαλύτερο χρονικό διάστημα από τον ήλιο ή τις συσκευές θέρμανσης.

Διατηρείτε τις επαφές σύνδεσης στο φορτιστή και στην ανταλλακτική μπαταρία καθαρές.

Για μια άριστη διάρκεια ζωής πρέπει μετά τη χρήση οι μπαταρίες να φορτιστούν πλήρως. Επαναφορτίζετε τις ανταλλακτικές μπαταρίες που δεν έχουν χρησιμοποιηθεί για μεγαλύτερο χρονικό διάστημα πριν τη χρήση.

Για μια κατά το δυνατόν μεγάλη διάρκεια ζωής οι μπαταρίες μετά τη φόρτιση οφείλουν να αφαιρεθούν από το φορτιστή.

Για την αποθήκευση της μπαταρίας για διάστημα μεγαλύτερο των 30 ημερών: Αποθηκεύετε τη μπαταρία περ. στους 27°C σε στεγνό χώρο. Αποθηκεύετε τη μπαταρία περ. στο 30%-50% της κατάστασης φόρτισης. Κάθε 6 μήνες φορτίζετε εκ νέου τη μπαταρία.

Μην πετάτε τις μεταχειρισμένες ανταλλακτικές μπαταρίες στη φωτιά ή στα οικιακά απορρίμματα. Η Milwaukee προσφέρει μια απόσυρση των παλιών ανταλλακτικών μπαταριών σύμφωνα με τους κανόνες προστασίας του περιβάλλοντος, ρωτήστε παρακαλώ σχετικά στο ειδικό κατάστημα πώλησης.

Μην αποθηκεύετε τις ανταλλακτικές μπαταρίες μαζί με μεταλλικά αντικείμενα (κίνδυνος βραχυκυκλώματος).

Όταν υπάρχει υπερβολική καταπόνηση ή υψηλή θερμοκρασία μπορεί να τρέξει υγρό μπαταρίας από τις χαλασμένες επαναφορτιζόμενες μπαταρίες. Αν έρθετε σε επαφή με υγρό μπαταρίας να πλυθείτε αμέσως με νερό και σαπούνι. Σε περίπτωση επαφής με τα μάτια να πλυθείτε σχολαστικά για τουλάχιστον 10 λεπτά και να αναζητήσετε αμέσως ένα γιατρό.

Στη θήκη υποδοχής των ανταλλακτικών μπαταριών του φορτιστή δεν επιτρέπεται να φθάνουν μεταλλικά αντικείμενα (κίνδυνος βραχυκυκλώματος).

#### ΠΡΟΣΤΑΣΙΑ ΥΠΕΡΦΟΡΤΩΣΗΣ ΤΗΣ ΜΠΑΤΑΡΙΑΣ

Σε περίπτωση υπερφόρτισης συσσωρευτή μέσω πολύ υψηλής κατανάλωσης ρεύματος, π.χ. υπερβολικά υψηλή ροπή στρέψης, μάγκωμα του ένθετου εργαλείου, ξαφνικό σταμάτημα ή βραχυκύκλωμα, σταματά το ηλεκτρικό εργαλείο για 2 δευτερόλεπτα και απενεργοποιείται αυτόματα. Για μια νέα ενεργοποίηση, αφήνετε ελεύθερο το διακόπτη και στη συνέχεια ενεργοποιείτε εκ νέου. Κάτω από ακραίες καταπονήσεις μπορεί η μπαταρία να θερμανθεί πολύ. Στην περίπτωση αυτή η μπαταρία απενεργοποιείται. Τοποθετείτε στη συνέχεια τη μπαταρία στη συσκευή φόρτισης για να τη φορτίσετε πάλι και να την ενεργοποιήσετε.

#### ΜΕΤΑΦΟΡΑ ΤΩΝ ΜΠΑΤΑΡΙΩΝ ΙΟΝΤΩΝ ΛΙΘΙΟΥ

Οι μπαταρίες ιόντων λιθίου υπόκεινται στις απαιτήσεις των νομικών διατάξεων για την μεταφορά επικινδύνων εμπορευμάτων.

Η μεταφορά τέτοιων μπαταριών πρέπει να πραγματοποιείται τηρώντας τους τοπικούς, εθνικούς και διεθνείς κανονισμούς και τις αντίστοιχες διατάξεις.

Επιτρέπεται η μεταφορά τέτοιων μπαταριών στο δρόμο χωρίς περαιτέρω απαιτήσεις.

Η εμπορική μεταφορά μπαταριών ιόντων λιθίου από εταιρείες μεταφορών υπόκειται στις απαιτήσεις των νομικών διατάξεων για την μεταφορά επικινδύνων εμπορευμάτων. Οι προετοιμασίες αποστολής και η μεταφορά πραγματοποιούνται αποκλειστικά από ειδικά εκπαιδευμένα πρόσωπα. Η συνολική διαδικασία συνοδεύεται από εξειδικευμένο προσωπικό.

Κατά τη μεταφορά μπαταριών ιόντων λιθίου πρέπει να προσέχετε τα εξής:

Φροντίστε τα σημεία επαφών να είναι προστατευμένα και μονωμένα ώστε να αποφευχθούν βραχυκυκλώματα. Προσέξτε το πακέτο μπαταριών να είναι σταθερό μέσα στη συσκευασία και να μη γλιστρά. Η μεταφορά μπαταριών που παρουσιάζουν φθορές ή διαρροές δεν επιτρέπεται. Για περισσότερες πληροφορίες απευθυνθείτε στην εταιρεία μεταφορών.



## ΔΗΛΩΣΗ ΠΙΣΤΟΤΗΤΑΣ ΕΚ

Δηλώνουμε με αποκλειστική μας ευθύνη, ότι το προϊόν που περιγράφεται στα «Τεχνικά Χαρακτηριστικά» συμμορφώνεται με όλες τις σχετικές διατάξεις των οδηγιών 2011/65/ΕΕ (RoHS) 2006/42/ΕΚ 2014/53/ΕΕ και έχουν εφαρμοστεί τα ακόλουθα εναρμονισμένα πρότυπα EN 62841-1:2015 EN 62841-3-1:2014+AC:2015+A11:2017 EN 62479:2010 EN 55014-1:2017+A11:2020 EN 55014-2:2015 EN IEC 63000:2018 EN 301 489-1 V2.2.3 EN 301 489-17 V3.1.1 EN 300 328 V2.2.2



Winnenden, 2020-11-11

Alexander Krug / Managing Director  
Εξουσιοδοτημένος να συντάξει τον τεχνικό φάκελο.  
Techtronic Industries GmbH  
Max-Eyth-Straße 10, 71364 Winnenden, Germany

## ΣΥΜΒΟΛΑ



Παρακαλώ διαβάστε σχολαστικά τις οδηγίες χρήσης πριν από την έναρξη λειτουργίας.



**ΠΡΟΣΟΧΗ! ΠΡΟΕΙΔΟΠΟΙΗΣΗ! ΚΙΝΔΥΝΟΣ!**



Πριν από κάθε εργασία στη μηχανή αφαιρείτε την ανταλλακτική μπαταρία.



Φοράτε προστασία ακοής (ωτασπίδες)!

Να φοράτε κατάλληλη μάσκα προστασίας από σκόνη.



Στις εργασίες με τη μηχανή φοράτε πάντοτε προστατευτικά γυαλιά.



Να φοράτε προστατευτικά γάντια!



Ποτέ μη βάζετε τα χέρια σας στην περιοχή της προιονόλαμας.



Η συσκευή είναι κατάλληλη για χρήση μόνο σε εσωτερικούς χώρους, μην εκθέσετε τη συσκευή στη βροχή.



Εξαρτήματα - Δεν περιλαμβάνονται στα υλικά παράδοσης, συνιστούμενη προσθήκη από το πρόγραμμα εξαρτημάτων.



Τα πτερύγια και τα μπλοκ ώθησης μπορούν να αγοραστούν από εξειδικευμένους αντιπροσώπους. Να χρησιμοποιείτε μόνο εξαρτήματα υψηλής ποιότητας.



Ηλεκτρικά μηχανήματα, μπαταρίες/συσσωρευτές δεν επιτρέπεται να απορρίπτονται μαζί με τα οικιακά απορρίμματα. Ηλεκτρικά μηχανήματα και συσσωρευτές συλλέγονται ξεχωριστά και παραδίδονται προς ανακύκλωση με τρόπο φιλικό προς το περιβάλλον σε επιχείρηση επεξεργασίας απορριμμάτων. Ενημερωθείτε από τις τοπικές υπηρεσίες ή από ειδικευμένους εμπόρους σχετικά με κέντρα ανακύκλωσης και συλλογής απορριμμάτων.

**n<sub>0</sub>**

Αριθμός στροφών χωρίς φορτίο

**V**

Βολτ AC



Συνεχές ρεύμα



Ευρωπαϊκό σήμα πιστότητας



Βρετανικό σήμα πιστότητας



Ουκρανικό σήμα πιστότητας

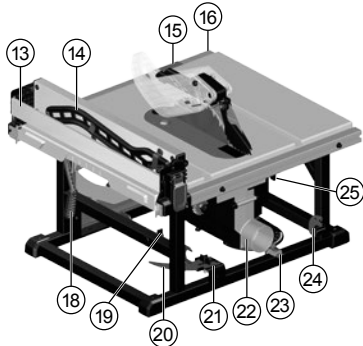
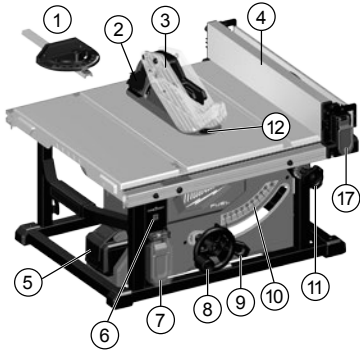


Ευρασιατικό σήμα πιστότητας





| TEKNİK VERİLER  |                                    | M18 FTS210      |
|---|------------------------------------|-----------------|
| <b>Masa tipi yuvarlak testere</b>   |                                    |                 |
| Üretim numarası   | 4609 60 02...<br>... 000001-999999 |                 |
| Kartuş akü gerilimi   | 18 V                               |                 |
| Boştaki devir sayısı  | 6300 min <sup>-1</sup>             |                 |
| Frekans bandı   | 2402-2480 MHz                      |                 |
| İletim gücü   | 1,8 dBm                            |                 |
| Testere bıçağı çapı x delik çapı  | 210 x 30 mm                        |                 |
| Testere bıçağı beden kalınlığı  | Maks. 1,55 mm                      |                 |
| Dış kalınlığı   | Min. 1,8 mm<br>Maks. 2,2 mm        |                 |
| de maksimum kesme derinliği 0 / 45°   | 63,5 / 44 mm                       |                 |
| Yarma parmaklığıyla testere bıçağı arasındaki mesafe Maks.  | Sol                                | 310 mm          |
|   | Sağ                                | 525 mm / 622 mm |
| Ağırlığı ise EPTA-üretici 01/2014'e göre (Li-Ion 2,0 Ah ... 12,0 Ah)  | 21,2 kg ... 22,3 kg                |                 |
| Çalıştırılması için tavsiye edilen ortam sıcaklığı  | -18°C ... +50°C                    |                 |
| Tavsiye edilen güç paketleri  | M18B... / M18HB...                 |                 |
| Tavsiye edilen şarj aletleri  | M12-18... / M1418 C6               |                 |
| <b>Gürültü bilgileri</b>  |                                    |                 |
| Ölçüm değerleri EN 62841 e göre belirlenmektedir. Aletin, frekansa bağımlı uluslararası ses basıncı seviyesi değerlendirme eğrisi A'ya göre tipik gürültü seviyesi: |                                    |                 |
| Ses basıncı seviyesi (Tolerans K=3dB(A))  | 92,37 dB(A)                        |                 |
| Akustik kapasite seviyesi (Tolerans K=3dB(A))   | 103,37 dB(A)                       |                 |
| <b>Koruyucu kulaklık kullanın!</b>  |                                    |                 |



#### Cihazın tanımı

- ① Zıvana masdarı
- ② Geri tepme önleyici kastanyolaları
- ③ Korkuluklu kırma bıçağı / Bıçak muhafazası
- ④ Yarma parmaklığı
- ⑤ Akü
- ⑥ ONE KEY göstergesi
- ⑦ Güç anahtarı / Düşme kapağı
- ⑧ Yükseklik ayar çarkı
- ⑨ Eğim kilitleme kolu
- ⑩ Eğim skalası
- ⑪ Parmaklık ayar çarkı
- ⑫ Boğaz plakası / Boğaz plakası mandalı
- ⑬ Uzatılır dönme parmaklığı
- ⑭ İtme çubuğu
- ⑮ Yarma skalası göstergesi
- ⑯ Yarma skalası
- ⑰ Parmaklık mandalları
- ⑱ Parmaklık kilidi
- ⑲ Bıçak anahtarı saklama / Bıçak anahtarı
- ⑳ Korkuluklu
- ㉑ Korkuluklu / Korkuluklu kırma bıçağı saklama
- ㉒ Toz kanalı
- ㉓ Zıvana masdarı saklama
- ㉔ Geri tepme önleyici kastanyolaları saklama
- ㉕ Korkuluklu Serbest bırakma kolu

**⚠ UYARI** Cihazla birlikte gelen tüm güvenlik uyarılarını, talimatları, çizimleri ve bilgileri okuyun. Açıklanan uyarılara ve talimat hükümlerine uyulmadığı takdirde elektrik çarpmalarına, yangınlara ve/veya ağır yaralanmalara neden olabilir. **Bütün uyarıları ve talimat hükümlerini ileride kullanmak üzere saklayın.**

## **⚠ GÖNYE TESTERELERİ İÇİN GÜVENLİK TALİMATLARI**

### **1) Korkuluklarla ilgili uyarılar**

- a) **Korkulukları yerlerinde muhafaza edin. Korkulukların çalışır durumda ve doğru takılmış olması gerekir.** Gevşek veya hasarlı olan ya da düzgün işlemeyen korkuluklar onarılmalı ya da değiştirilmelidir.
- b) **Her boyuna kesme işleminde her zaman bıçak muhafazası, yarma bıçağı ve geri tepme önleme düzeneği kullanın.** Testere bıçağının işlenecek parçayı bütün kalınlığına kestiği boyuna kesme işlemlerinde korkuluk ve diğer emniyet donanımları yaralanma riskini düşürür.
- c) **Korkuluğun, yarma bıçağının ve/veya geri tepme önleme düzeneğinin çıkarılmasını gerektiren (kiniş açma gibi) işlemleri tamamladıktan hemen sonra koruma sistemini yerine takın.** Korkuluk, yarma bıçağı ve geri tepme önleme düzeneği yaralanma tehlikesini düşürmeye yardımcı olur.
- d) **Anahtar açık konumuna getirilmeden önce testere bıçağının korkuluğa, yarma bıçağına veya işlenecek parçaya dokunmadığından emin olun.** Bu parçaların testere bıçağıyla yanlışlıkla teması tehlikeli bir duruma yol açabilir.
- e) **Yarma kamasını kullanım kılavuzunda açıklandığı gibi ayarlayın.** Yanlış aralık bırakma, konumlandırma ve hizalama yarma bıçağının geri tepme olasılığını azaltmada etkisiz olmasına neden olabilir.
- f) **Yarma bıçağı ve geri tepme önleme düzeneğinin çalışması için, bu parçaların işlenecek parçaya girmiş olması gerekir.** Kesilecek parçaların yarma bıçağı ve geri tepme önleme düzeneğinin giremeyeceği kadar kısa olması halinde yarma bıçağı ve geri tepme önleme düzeneği etkisiz kalır. Böylesi durumlarda yarma bıçağı ve geri tepme önleme düzeneğiyle geri tepme önlenemez.
- g) **Kesme yaptığınız testere bıçağına uygun yarma kaması kullanın.** Yarma bıçağının gerekli işlevi görebilmesi için, testere bıçağı çapının doğru yarma bıçağına uygun olması, testere bıçağı gövdesinin yarma bıçağının kalınlığından daha ince olması ve testere bıçağının kesme eninin yarma bıçağının kalınlığından daha geniş olması gerekir.

### **2) Kesme işlemleri uyarıları**

- a) **⚠ TEHLİKE: Parmaklarınızı ya da ellerinizi asla testere bıçağının yakınına yada kesme hattına koymayın.** Bir dikkatsizlik anı ya da dalgalılık ellerinizi testere bıçağına doğru yönlendirip ciddi bedensel yaralanmaya yol açabilir.
- b) **İşlenecek parçayı testere bıçağına sadece dönüş yönünün aksine besleyin.** İşlenecek parçayı testere bıçağının tabla üzerindeki dönüşüyle aynı yönde beslenmesi işlenecek parçanın ve elinizin testere bıçağına doğru çekilmesine neden olabilir.

- c) **Yarma işlemi yaparken işlenecek parçayı beslemek için asla zıvana masdarını kullanmayın; zıvana masdarıyla enine kesim yaparken yarma parmaklığından uzunluk stoperi olarak yararlanmayın.** İşlenecek parçayı aynı zamanda yarma parmaklığı ve zıvana masdarıyla yönlendirmek testere bıçağının bükülüp geri tepme olasılığını artırır.
- d) **Yarma işlemi sırasında işlenecek parça besleme gücünü her zaman parmaklıkla testere bıçağı arasında uygulayın. Parmaklıkla testere bıçağı arasındaki mesafenin 150 mm'den az olduğu durumda bir itme çubuğu, 50 mm'yi aşmış hallerde bir itme bloku kullanın.** «İş yardımcıları» elinizi testere bıçağına güvenli bir mesafede tutacaktır.
- e) **Sadece imalatçı tarafından sağlanan ya da talimata uygun olarak üretilmiş itme çubuğu kullanın.** Bu itme çubuğu el ile testere bıçağı arasında yeterli mesafe sağlar.
- f) **Hasarlı ya da kesilmiş itme çubuklarını asla kullanmayın.** Hasarlı bir itme çubuğu kırılarak elinizin testere bıçağına kaymasına neden olabilir.
- g) **Hiçbir işlemi «serbest el» ile yapmayın. İşlenecek parçayı konumlandırıp beslemek için her zaman yarma parmaklığı ya da zıvana masdarını kullanın.** «Serbest el,» işlenecek parçayı desteklemek ya da yönlendirmek için yarma parmaklığı veya zıvana masdarı yerine ellerinizi kullanmayı ifade eder.
- h) **Dönen bir testere bıçağının üzerine ya da çevresine asla uzanmayın.** İşlenecek bir parçaya uzanmak hareketli testere bıçağıyla istemeden temasa yol açabilir.
- i) **Uzun ve/veya geniş parçaları dengelemek için testere bıçağının arkasına ve/veya yanlarına ilave işlenecek parça destekleri yerleştirin.** Uzun ve/veya geniş bir işlenecek parça tablanın kenarında dönme eğilimi göstererek kontrol kaybına, testere bıçağı bükülmesine ve geri tepmeye yol açar.
- j) **İşlenecek parçayı sabit bir hızla besleyin. İşlenecek parçayı eğip bükmeyin. Sıkışma halinde aleti hemen kapatın, prizden çekin ve tıkanıklığı gidirin.** İşlenecek parçanın testere bıçağına sıkışması geri tepmeye ya da motorun stop etmesine yol açabilir.
- k) **Materyal kesiklerini testere bıçağı çalışırken uzaklaştırmayın.** Materyal parmaklıkla testere bıçağı muhafazası arasında sıkışabilir, testere bıçağı elinizi kendine doğru çekebilir. Aleti durdurun ve materyali uzaklaştırmadan önce testere bıçağının durmasını bekleyin.
- l) **2 mm'den ince parçaları yararken tablanın üstüne temas edecek ek bir parmaklık kullanın.** İnce bir işlenecek parça yarma parmaklığının altına sıkışıp geri tepmeye neden olabilir.

### **3) Geri tepme kuvvetinin nedenleri ve buna karşı alınacak önlemler:**

Geri tepme, işlenecek parçada görülen ve sıkışmış ya da tıkanmış bir testere bıçağından ya da işlenecek parçanın kesme hattının testere bıçağına göre hizalanmamasından ya da işlenecek parçanın bir bölümünün testere bıçağıyla yarma parmaklığı yahut başka bir sabit cisim arasında sıkışmasından kaynaklanan ani bir tepkidir. Geri tepme sırasında çoğu zaman işlenecek parça testere bıçağının arka bölümü tarafından tabladan kaldırılır ve operatöre doğru fırlatılır.

Bir geri tepme kuvvet, testerenin yanlış veya hatalı kullanımı sonucu ortaya çıkar. Geri tepme kuvvetleri aşağıda açıklanan uygun önlemlerle önenebilir.

- Asla testere bıçağıyla aynı hatta durmayın. Her zaman vücudunuza testere bıçağına göre parmaklıkla aynı tarafta konumlandırın.** Geri tepme işlenecek paçayı testerenin önünde ya da hizasında duranlara doğru çok yüksek hızla fırlatabilir.
  - İşlenecek paçayı çekmek ya da desteklemek için asla testere bıçağının üzerine veya gerisine uzanmayın.** Testere bıçağıyla istenmeden temas geri tepmeye yol açabilir ya da parmaklarınızı testere bıçağına doğru çekebilir.
  - Kesilmekte olan paçayı asla dönen testere bıçağına bastırıp tutmayın.** Kesilmekte olan paçayı testere bıçağına bastırmak bir bağlantı durumu ve geri tepmeye yol açabilir.
  - Parmaklığı testere bıçağına paralel olacak gibi hizalayın.** Hizalanmamış bir parmaklık işlenecek paçayı testere bıçağına doğru sıkıştırıp geri tepmeye neden olabilir.
  - Kiniş açma gibi boydan boya olmayan kesme işlemleri yaparken işlenecek paçayı masanın üzerinden parmaklığa yönleltmek için yaylı pano kullanın.** Yaylı pano geri tepme halinde işlenecek paçanın kontrol edilmesini sağlar.
  - Birleştirilmiş parçaların kör alanlarına kesme işlemi uygularken özellikle dikkatli olun.** Çıktınlı testere bıçağı geri tepmeye neden olabilecek cisimleri kesebilir.
  - Testere bıçağının sıkışıp geri tepme riskini asgariye indirmek için geniş panelleri destekleyin.** Geniş paneller kendi ağırlıklarının etkisiyle sarkma eğilimi gösterir. Panellerin tab-ladan taşan tün bölümlerinin altına destek(ler) yerleştirilmelidir.
  - Bükülmüş, budaklı ya da çarpık olan ya da zıvana masdarıyla veya parmaklık boyunca yönlendirilmesini sağlayacak düz bir kenarı olmayan bir paça keserken özellikle dikkatli olun.** Bükülmüş, budaklı ya da çarpık bir paça dengesizdir, çentigin testere bıçağıyla hizalanmamasına, bükülüp geri tepmesine neden olur.
  - Yatay ya da dikey istiflenmiş birden fazla paça kesmeyin.** Testere bıçağı parçalardan birini ya da birkaçını yakalayıp geri tepmeye yol açabilir.
  - Testereyi bıçak işlenecek paçanın içindeyken yeniden çalıştırırken, testere dişlerinin malzemeye saplanmaması için testere bıçağını çentiğin içinde ortalayın.** Testere bıçağı bükülürse, testere yeniden çalıştığında işlenecek paçayı geri tepmeye neden olabilir.
  - Testere bıçaklarının temiz, keskin ve yeterince derin olmasına dikkat edin.** Eğrilmiş ya da dişleri çatlayıp kırılmış testere bıçakları bükülme, durma ve geri tepmeyi en aza indirir.
- 4) Gönye testeresi kullanma yöntemi uyarıları**
- Tabla eklentisini çıkarır testere bıçağını değiştirir ya da yarma bıçağını, geri tepme önleyici donanımı veya bıçak muhafazasını ayarlarken ve makine gözetimsiz bırakıldığında gönye testeresini durdurun ve pil takımını çıkarın.** İhtiyatı tedbirler kazaları engeller.
  - Gönye testeresini gözetimsizken asla çalışır durumda bırakmayın. Kapatın ve tümüyle durana kadar yanından ayrılmayın.** Gözetimsiz çalışan bir testere kontrolsüz bir tehlikedir.

- Gönye testeresini yere sağlam ve dengeli basabileceğiniz, iyi aydınlatılmış ve düz bir alana yerleştirin.** İşleyeceğinizi parçaları kolaylıkla elleçlemeniz yeterli alana sahip bir yere monte edilmelidir. Sıkışık ve karanlık alanlar ve bozuk ve kaygan zeminler kazayı davet eder.
- Testerenin altındaki ve/veya talaş toplayıcıdaki talaş sık sık temizleyip uzaklaştırın.** Birikmiş talaş yanıcı olup, kendiliğinden tutuşabilir.
- Gönye testeresi tespit edilmelidir.** Gerektiği gibi sabitlenmemiş bir gönye testeresi devrilebilir.
- Testereyi çalıştırmadan önce tabla üzerindeki aletleri, ahşap döküntülerini vb. temizleyin.** Dalgınlık ya da muhtemel bir sıkışıklık tehlikeli olabilir.
- Her zaman doğru ebatta ve doğru biçimde malafa deliğine (yuvarlak ya da paralel kenar) sahip testere bıçağı kullanın.** Testerenin montaj donanımına uymayan bıçaklar merkezden kaçarak kontrol kaybına neden olur.
- Flaş, testere bıçağı pulu, somun veya civatası gibi hasarlı ya da yanlış bıçak montaj donanımlarını asla kullanmayın.** Bu montaj donanımları güvenli çalışma ve optimal performans amacıyla, testerenin için özel olarak tasarlanmıştır.
- Asla gönye testeresinin üzerinde basmayın, basamak olarak kullanmayın.** Aletin devrilmesi ya da kesici aksama istenmeden dokunulması ciddi yaralanmaya yol açabilir.
- Testere bıçağının doğru yönde dönecek şekilde monte edildiğinden emin olun.** Gönye testeresine zımpara taşı, tel fırça ya da aşındırıcı çark uygulamayın. Uygunsz testere montajı ya da tavsiye edilmemiş aksesuarların kullanılması ciddi yaralanmalara neden olabilir.

### Ek güvenlik ve çalışma talimatları

Lambrilemek, kazımak, yeniden kesmek ve döküm başlığı kesmek yasaktır.

Koruyucu kulaklık kullanın. Gürültü etkisi işitme kaybını etkiler.

Koruma teçhizatı kullanın. Makinada çalışırken devamlı surette koruyucu gözlük takın. Koruyucu elbise ve tozlardan korunma maskesi, emniyet eldivenleri ve sağlam ve kaymaya mukavim ayakkabı giyin. Başlık ve kulaklık tavsiye edilir.

Tahtalar uzun süre işlenirken veya sağlığa zararlı toz çıkarılan malzemeler profesyonel olarak işlenirken alet uygun bir toz emme donanımına bağlanmak zorundadır. Profesyonel kullanıcılar diğer malzemelere ilişkin hükümleri yetkili meslek kuruluşu ile açıklığa kavuşturmak zorundadır.

Daima makinenin durduğu yerin güvenli olmasını sağlayın.

Aleti ilk kez kullanıyorsanız, önce kullanım kılavuzunu dikkatle okumanızı ve deneyimli birinin gözetiminde biraz çalışmanızı öneririz.

Hasarlı veya şekli bozulmuş testere levhaları kullanmayın.

Sadece usulüne uygun olan keskin bıçkı levhalarını kullanın.

Sadece bu kılavuzda belirtilen, EN 847-1 ile uyumlu ahşap bıçakları kullanın.

Gürültü oluşumunu asgariye indirebilmek için takımın bilenmiş ve gürültü azaltan tüm elemanların (kapak vb.) düzgün bir şekilde ayarlanması gerekir.

Yalnızca EN 847-1 normuna uygun takımların kullanılması gerekir.

Takımların uygun bir kap içinde taşınması ve saklanması gerekir.

Kesilecek malzeme için uygun bıçkı levhası seçin.



Tür

Bıçkı levhası üzerinde yazılı bulunan maksimum devir sayısı dikkate alınacaktır.

Seri çalışma çeliğinden mamul bıçkı levhaları kullanmayın.

Lütfen cihazların içinde taşıma levhaları (diskleri) monte ederek kullanmayın!

Sıkma anahtarlarını çıkartınız. Cihazı çalıştırmadan önce her zaman sıkma anahtarlarının alınıp alınmadığını kontrol ediniz.

Emniyet tertibatı veya bıçkı levhaları da dahil olmak üzere makinede tespit edilen hatalar, emniyet önlemleri için sorumlu kişiye bildirilecektir.

Aletin tehlikeli olabilecek bölümlerini tutmayın.

Alet çalışır durumda iken talaş ve kırpıntıları temizlemeye çalışmayın.

Üst koruyucu kapak taşımak için tutamak olarak kullanılmamalıdır!

Makinenin taşınması sırasında üst koruyucu kapak testere bıçağının üst kısmını örtmelidir.

Paralel kesim kılavuzunun testere bıçağına paralel olup olmadığını kontrol ediniz.

Üzerinde malzeme artıkları bulunan zemini, örneğin talaş ve testere atıkları, boş bulundurun.

Önemli tüm inşa kurallarına uyulmasına rağmen makinenin çalıştırılması sırasında örn. aşağıdaki hususlardan kaynaklanan tehlikeler oluşabilir:

İş parçalarının savrulması,

Hasarlı takımlara ait parçalarının savrulması, Gürültü emisyonu, Aşşap tozu emisyonu.

Aletin kendinde bir çalışma yapmadan önce kartuş aküyü çıkarın.

**UYARI!** Bir kısa devreden kaynaklanan yangın, yaralanma veya ürün hasarları tehlikesini önlemek için aleti, güç paketi veya şarj cihazını asla sıvıların içine daldırmayınız ve cihazların ve pillerin içine sıvı girmesini önleyiniz. Tuzlu su, belirli kimyasallar, ağartıcı madde veya ağartıcı madde içeren ürünler gibi korozif veya iletken sıvılar kısa devreye neden olabilir.

M18 sistemli kartuş aküleri sadece M18 sistemli şarj cihazları ile şarj edin. Başka sistemli aküleri şarj etmeyin.

Kartuş aküleri ve şarj cihazını açmayın ve sadece kuru yerlerde saklayın. Neme ve ıslanmaya karşı koruyun.

## UYARI



Bu cihaz, düğme tipi/yassı lityum pil içerir. Yeni veya kullanılmıř bir pil yutulursa ya da vücuda girse, 2 saat gibi kısa bir sürede ciddi yanıklara ve ölüme neden olabilir. Kapağı pil bölümüne her zaman sabitleyin. Güvenli bir şekilde kapanmıyorsa, cihazı durdurun, pili çıkarın ve çocukların erişemeyeceğı bir yerde saklayın. Birinin pili yuttuğundan veya pilin vücuda girdiğinden şüpheleniyorsanız, derhal tıbbi yardım isteyin.

## KULLANIM

Dairesel tezgah testerenizi yalnızca aşşap ve aşşap ürünlerini kesmek için kullanınız.

Dairesel tezgah testeresini, işletme talimatında belirtilmeyen başka bir malzeme için kullanmayın.

Yuvarlak veya düzenli olmayan enine kesitli malzemeler (örneğin yanıcı odunlar) testere ile kesilemez, zira bunlar testere ile kesilirken güvenli bir şekilde tutulamaz. Düz malzemelerin yüksek kenarları testere ile kesilirken güvenli bir şekilde sevk ve idare edilebilmeleri amacıyla uygun bir yardımcı vuruş kullanın.

Azami bir monte edilmiş testere bıçağı kullanarak yarık kesme, zvana kesme ve aç kesme.

## KALAN TEHLİKELER

Ürün usulüne uygun kullanıldığında dâhil, kalan tehlikeler söz konusu olabilir. Kullanım sırasında aşağıda belirtilen riskler meydana gelebilir ve bu yüzden kullanıcının aşağıdaki hususlara dikkat etmesi gerekmektedir:

- İşitme zararlarını önlemek için maruz kalma süresi azaltılmalı ve uygun bir koruyucu kulaklık takılmalıdır

- Kullanıcı, titreşimlerin etkilerini ve maruz kalma süresini azaltmak için tedbirler almalıdır.

- Testere tozunun solunmasından dolayı oluşabilen sağlık risklerini önlemek için bir koruyucu solunum maskesi takılmalıdır.

## BAKIM

Cihaz üzerinde herhangi bir ayar, temizlik ve bakım çalışması başlamadan önce pil paketini çıkarın.

Testere bıçağına takmadan veya çıkarmadan önce aletin fişini güç kaynağından çektiğinizden emin olun.

Tozu düzenli olarak alınız. Yangın riskini önlemek için testerenin içinde biriken talaşları temizleyiniz.

Kullanılmış ve aşınmış tezgah desteğini yenisi ile değiştirin.

Cihazı ve koruyucu tertibatı kuru bir bezle temizleyiniz.

Aletin havalandırma aralıklarını daima temiz tutun.

Sadece Milwaukee aksesuarı ve yedek parçası kullanın. Nasil değiştirileceğı açıklanmamış olan yapı parçalarını bir Milwaukee müşteri servisinden değiştirin (Garanti ve servis adresi broşürüne dikkat edin).

Gerektiğı takdirde aletin dağılık görünüş şeması, alet tipinin ve tip etiketi üzerindeki sayının bildirilmesi koşuluyla müşteri servisinden veya doğrudan Techtronic Industries GmbH, Max-Eyth-Straße 10, 71364 Winnenden, Germany adresinden istenebilir.

## ONE-KEY™

Bu cihazın ONE-KEY işlevi hakkında daha fazla bilgi edinmek için ekteki Hızlı Başlangıç Kılavuzunu okuyun ya da <http://www.milwaukeeool.com/one-key> adresini ziyaret edin.

ONE-KEY uygulamasını App Store ya da Google Play aracılığıyla akıllı telefonunuza indirebilirsiniz.

Kontrol sonucu EN 301 489-1 / EN 301 489-17 standardına göre asgari taleplerimizi yerine getirmektedir. İşletim kılavuzunu kullanma kılavuzuyla birlikte müşteriye sunacağız.

## AKÜ

Uzun süre kullanılm dışı kalmış kartuş aküleri kullanmadan önce şarj edin.

50°C üzerindeki sıcaklıklar kartuş akünün performansını düşürür. Akünün güneş ışığı veya mekân sıcaklığı altında uzun süre ısınmasına dikkat edin.

Şarj cihazı ve kartuş aküde bağlantı kontaklarını temiz tutun.

Akünün ömrünün mükemmel bir şekilde uzun olması için kullandıktan sonra tamamen doldurulması gerekir. Uzun süre kullanılm dışı kalmış kartuş aküleri kullanmadan önce şarj edin.

Ömrünün mümkün olduğu kadar uzun olması için akülerin yüklemeye yapıldıktan sonra doldurma cihazından uzaklaştırılması gerekir.

Akünün 30 günden daha fazla depolanması halinde: Aküyü takriben 27°C'de kuru olarak depolayın. Aküyü yüklem durumunun takriben % 30 - %50 olarak depolayın. Aküyü her 6 ay yeniden doldurun.

Kullanılmış kartuş aküleri ateşe veya ev çöplerine atmayın. Milwaukee, kartuş akülerin çevreye zarar vermeyecek biçimde tasfiye

edilmesine olanak sağlayan hizmet sunar; lütfen bu konuda yetkili satıcınızdan bilgi alın.

Kartuş aküleri metal parça veya eşyalarla birlikte saklamayın (kısa devre tehlikesi).

Aşırı zorlanma veya aşırı ısınma sonucu hasar gören kartuş akülerden batarya sıvısı dışarı akabilir. Batarya sıvısı ile temasa gelen yeri hemen bol su ve sabunla yıkayın. Batarya sıvısı gözünüze kaçacak olursa en azından 10 dakika yıkayın ve zaman geçirmeden bir hekime başvurun.

Şarj cihazının kartuş akü yuvasına hiçbir şekilde metal parçalar kaçmamalıdır (kısa devre tehlikesi).

#### AKÜNÜN AŞIRI YÜKLENMEYE KARŞI KORUNMASI

Aşırı yüksek akım tüketiminden dolayı, örn. aşırı yüksek devirler, başlığın sıkışması, aniden durma veya kısa devreden dolayı bataryaya aşırı yüklenmesi halinde elektrikli alet 2 saniye süreyle durmakta ve kendiliğinden kapanmaktadır. Yeniden çalıştırmak için şalter baskısını serbest bırakın ve bundan sonra tekrar çalıştırın. Aşırı yüklenme durumunda ise akü pek fazla ısınır. Bu durumda akü kendiliğinden durur. Aküyü tekrar doldurmak ve aktif hale getirmek amacı ile şarja bağlayın.

#### LITYUM İYON PİLLERİN TAŞINMASI

Lityum iyon piller tehlikeli madde taşımacılığı hakkındaki yasal hükümler tabidir.

Bu piller, bölgesel, ulusal ve uluslararası yönetmeliklere ve hükümlere uyularak taşınmak zorundadır.

Tüketiciler bu pilleri herhangi bir özel şart aranmaksızın karayoluyla taşıyabilirler.

Lityum iyon pillerin nakliye şirketleri tarafından ticari taşımacılığı için tehlikeli madde taşımacılığının hükümleri geçerlidir. Sevk hazırlığı ve taşıma sadece ilgili eğitimi görmüş personel tarafından gerçekleştirilebilir. Bütün süreç uzmanca bir refakatçilik altında gerçekleştirilmek zorundadır.

Pillerin taşınması sırasında aşağıdaki hususlara dikkat edilmesi gerekmektedir:

Kısa devre oluşmasını önlemek için kontakların korunmuş ve izole edilmiş olmasını sağlayınız. PİL paketinin ambalajı içinde kaymamasına dikkat ediniz. Hasarlı veya akmış pillerin taşınması yasaktır. Ayrıca bilgiler için nakliye şirketinize başvurunuz.

#### CE UYGUNLUK BEYANI

"Teknik veriler" başlığı altında tanımlanan ürünün, sayılı direktiflerdeki tüm hükümleri

2011/65/EU (RoHS)

2006/42/EC

2014/53/EU

uyumlaştırılmış standartları

EN 62841-1:2015

EN 62841-3-1:2014+AC:2015+A11:2017

EN 62479:2010

EN 55014-1:2017+A11:2020

EN 55014-2:2015

EN IEC 63000:2018

EN 301 489-1 V2.2.3

EN 301 489-17 V3.1.1

EN 300 328 V2.2.2



Winnenden, 2020-11-11

Alexander Krug / Managing Director

Teknik evrakları hazırlamakla görevlendirilmiştir.

Techtronic Industries GmbH

Max-Eyth-Straße 10, 71364 Winnenden, Germany



## SEMBOLLER



Lütfen aleti çalıştırmadan önce kullanma kılavuzunu dikkatli biçimde okuyun.



**DİKKAT! UYARI! TEHLİKE!**



Aletin kendinde bir çalışma yapmadan önce kartuş aküyü çıkarın.



Koruyucu kulaklık kullanın!



Uygun bir koruyucu toz maskesi kullanın



Aletle çalışırken daima koruyucu gözlük kullanın.



Koruyucu eldivenlerinizi takınız!



Elinizi hiçbir zaman testere levhasına doğru tutmayın.



Bu alet sadece kapalı mekânlarda kullanılmaya uygundur, yağmur altında bırakmayın



Aksesuar - Teslimat kapsamında değildir, önerilen tamam-lamalar aksesuar programında.



Yaylı plakalar ve İtme blokları uzman distribütörlerden temin edilebilir. Lütfen sadece yüksek kaliteli aksesuarları kullanın.



Elektrikli cihazların, pillerin/akülerin evsel atıklarla birlikte bertaraf edilmesi yasaktır. Elektrikli cihazlar ve aküler ayrılarak biriktirilmeli ve çevreye zarar vermeden bertaraf edilmeleri için bir atık değerlendirme tesisine götürülmelidirler. Yerel makamlara veya satıcınıza geri dönüşüm tesisleri ve atık toplama merkezlerinin yerlerini danışınız.

**n<sub>0</sub>**

Boştaki devir sayısı

**V**

Voltaj



Doğru akım



Avrupa uyumluluk işareti



Britanya uyumluluk işareti

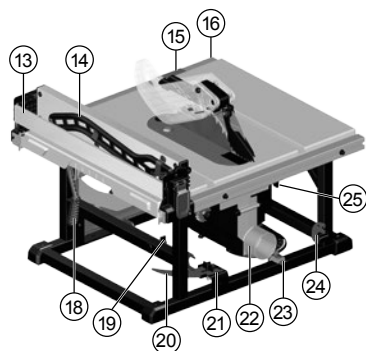
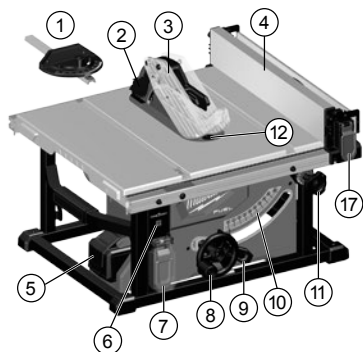


Ukrayna uyumluluk işareti



Avrasya uyumluluk işareti

| TECHNICKÁ DATA<br>stolní kotoučová pila   |                 | M18 FTS210                         |
|---|-----------------|------------------------------------|
| Výrobní číslo   |                 | 4609 60 02...<br>... 000001-999999 |
| Napětí výměnného akumulátoru  |                 | 18 V                               |
| Volnoběžné otáčky   |                 | 6300 min <sup>-1</sup>             |
| Kmitočtové pásmo  |                 | 2402-2480 MHz                      |
| Radiofrekvenční výkon   |                 | 1,8 dBm                            |
| Pilový kotouč ø x díra ø  |                 | 210 x 30 mm                        |
| Tloušťka těla pilového kotouče  |                 | max. 1,55 mm                       |
| Tloušťka zubu   |                 | min. 1,8 mm<br>max. 2,2 mm         |
| Max. hloubka řezu při 0 / 45°   |                 | 63,5 / 44 mm                       |
| Vzdálenost mezi rovnoběžným vodičkem a pilovým kotoučem max.  | Vlevo<br>Vpravo | 310 mm<br>525 mm / 622 mm          |
| Hmotnost podle prováděcího předpisu EPTA 01/2014 (Li-Ion 2,0 Ah ... 12,0 Ah)  |                 | 21,2 kg ... 22,3 kg                |
| Doporučená teplota okolí pro provoz   |                 | -18°C ... +50°C                    |
| Doporučené akupaky  |                 | M18B... / M18HB...                 |
| Doporučené nabíječky  |                 | M12-18... / M1418 C6               |
| <b>Informace o hluku</b><br>Naměřené hodnoty odpovídají EN 62841. V třídě A posuzovaná hladina hluku přístroje činí typicky:<br>Hladina akustického tlaku (Kolisavost K=3dB(A))<br>Hladina akustického výkonu (Kolisavost K=3dB(A)) |                 | 92,37 dB(A)<br>103,37 dB(A)        |
| <b>Používejte chrániče sluchu !</b>   |                 |                                    |



#### Popis zařízení

- ① Měřítka pokosu
- ② Zarážky proti zpětnému rázu
- ③ Řezný nůž s ochranným krytem / Ochranný kryt pilového kotouče
- ④ Rovnoběžné vodičko
- ⑤ Akumulátory
- ⑥ Indikátor ONE KEY
- ⑦ Spínač / Kryt spínače
- ⑧ Ruční kolo pro nastavení výšky
- ⑨ Páka uzamčení zkosení
- ⑩ Stupnice zkosení
- ⑪ Kolo pro nastavení vodička
- ⑫ Podložka drážky / Západka podložky drážky
- ⑬ Prodlužující sklopné vodičko
- ⑭ Příslušná tyčka
- ⑮ Řezná stupnice indikátor
- ⑯ Řezná stupnice
- ⑰ Západky vodička
- ⑱ Zámek vodička
- ⑲ Maticový klíč pilového kotouče uložení / Maticový klíč pilového kotouče
- ⑳ Řezný nůž
- ㉑ Řezný nůž / Řezný nůž s ochranným krytem uložení
- ㉒ Prachový žlab
- ㉓ Měřítka pokosu uložení
- ㉔ Zarážky proti zpětnému rázu uložení
- ㉕ Řezný nůž uvolňovací páka

**VAROVÁNÍ** Přečtěte si všechny bezpečnostní pokyny, instrukce, popisy a údaje, které obdržíte s přístrojem. Zanedbání při dodržování varovných upozornění a pokynů mohou mít za následek úder elektrickým proudem, požár a ebo těžká poranění. Všechna varovná upozornění a pokyny do budoucna uschovejte.

## **BEZPEČNOSTNÍ POKYNY PRO STOLNÍ PILY**

### 1) Upozornění týkající se ochranného krytu

a) **Ochranné kryty udržujte na určeném místě. Ochranné kryty musí být v provozním stavu a musí být správně namontovány.** Ochranný kryt, který je uvolněný, poškozený nebo nefunguje správně, musí být opraven nebo vyměněn.

b) **Vždy používejte ochranný kryt pilového kotouče, řezný nůž a zařízení proti zpětnému rázu pro každou prořezávací operaci.** Pro prořezávací operace, u kterých pilový kotouč řeže zcela přes tloušťku obrobku, ochranný kryt a ostatní bezpečnostní zařízení pomáhají snižovat riziko zranění.

c) **Po ukončení operace (jako například falcování), která vyžaduje odstranění ochranného krytu, řezného nože a/ nebo zařízení proti zpětnému rázu, ihned znovu namontujte ochranný systém.** Ochranný kryt, řezný nůž a zařízení proti zpětnému rázu pomáhají snižovat riziko zranění.

d) **Před zapnutím spínače se ujistěte, že se pilový kotouč nenachází v kontaktu s ochranným krytem, řezným nožem ani obrobkem.** Neúmyslný kontakt těchto částí s pilovým kotoučem může způsobit nebezpečný stav.

e) **Rozpěrný klín zajistěte tak, jak je popsáno v návodu k obsluze.** Nesprávné odstupy, polohování a zarovnaní mohou způsobit, že řezný nůž bude neúčinný při snižování pravděpodobnosti zpětného rázu.

f) **Abyste řezný nůž a zařízení proti zpětnému rázu fungovaly, musí být spojeny s obrobkem.** Řezný nůž a zařízení proti zpětnému rázu jsou neúčinné při řezání obrobků, které jsou příliš krátké na to, aby mohly být spojeny s řezným nožem a zařízením proti zpětnému rázu. Za těchto podmínek nelze zabránit zpětnému rázu pomocí řezného nože a zařízení proti zpětnému rázu.

g) **Pro nasazený pilový kotouč použijte vhodný rozpěrný klín.** Na správné fungování řezného nože musí být průměr pilového kotouče odpovídající příslušnému řeznému noži a těleso pilového kotouče musí být tenčí než tloušťka řezného nože a šířka řezání pilového kotouče musí být širší než tloušťka řezného nože.

### 2) Upozornění k postupům řezání

a) **NEBEZPEČÍ: Nikdy neumísťte své prsty ani ruce do blízkosti nebo do jedné linie s pilovým kotoučem.** Okamžik nepozornosti nebo uklouznutí mohou nasměrovat Vaši ruku na pilový kotouč a způsobit vážné zranění.

b) **Podávejte obrobek do pilového kotouče pouze proti směru otáčení.** Podávání obrobku ve stejném směru, jak se pilový kotouč otáčí nad stolem, může mít za následek, že obrobek a Vaše ruka jsou vtaženy do pilového kotouče.

c) **Nikdy nepoužívejte měřítko pokosu na podávání obrobku při rozřezávání a nepoužívejte rovnoběžné vodítko jako délkový doraz při příčném řezání s měřítkem pokosu.** Vedení obrobku s rovnoběžným vodítkem a měřítkem pokosu ve

stejnou dobu zvyšuje pravděpodobnost sevření pilového kotouče a zpětného rázu.

d) **Při rozřezávání vždy používejte sílu na podávání obrobku mezi vodítkem a pilovým kotoučem. Používejte příslušnou tyčku, pokud je vzdálenost mezi vodítkem a pilovým kotoučem menší než 150 mm, a když je tato vzdálenost menší než 50 mm, použijte příslušný blok.** Tyto „pracovní pomůcky“ udržují Vaši ruku v bezpečné vzdálenosti od pilových kotoučů.

e) **Používejte pouze příslušnou tyčku poskytnutou výrobcem nebo zkonstruovanou podle pokynů.** Tato příslušná tyčka poskytuje dostatečnou vzdálenost ruky od pilového kotouče.

f) **Nikdy nepoužívejte poškozenou nebo nařezanou příslušnou tyčku.** Poškozená příslušná tyčka se může zlomit, což způsobí, že Vaše ruka vklouzne do pilového kotouče.

g) **Neprovádějte žádnou operaci „volnou rukou“. Na polohování a vedení obrobku vždy používejte buď rovnoběžné vodítko nebo měřítko pokosu.** „Volnou rukou“ znamená používání Vašich rukou na podpírání nebo vedení obrobku místo rovnoběžného vodítka nebo měřítka pokosu. Řezání volnou rukou vede k nesprávnému nastavení, sevření a zpětnému rázu.

h) **Nikdy nesahejte kolem nebo nad rotující pilový kotouč.** Sáhnutí po obrobku může vést k náhodnému kontaktu s pohyblivým se pilovým kotoučem.

i) **Zajistěte pomocnou podpěru obrobku na zadní a/ nebo bočních stranách pilového stolu pro dlouhé a/ nebo široké obrobky, abyste je udrželi vyrovnané.** Dlouhý a/ nebo široký obrobek má tendenci otáčet se na okrajích stolu, což způsobuje ztrátu kontroly, sevření pilového kotouče a zpětný ráz.

j) **Podávejte obrobek rovnoměrným tempem. Obrobek neohýbejte ani nevytáčejte. Pokud dojde k zaseknutí, ihned vypněte nástroj, odpojte jej a potom uvolněte zaseknutí.** Zaseknutí pilového kotouče obrobkem může způsobit zpětný ráz neboablokování motoru.

k) **Neodstraňujte kusy odřiznutého materiálu, když je pila v provozu.** Materiál se může zachytit mezi vodítkem nebo vnitřkem ochranného krytu pilového kotouče a pilovým kotoučem a tak vtlačit Vaše prsty do pilového kotouče. Před vyjmutím materiálu vypněte pila a počkejte, dokud se pilový kotouč nezastaví.

l) **Při řezání obrobků o tloušťce menší než 2 mm použijte pomocné vodítko v kontaktu s vrchní částí stolu.** Tenký obrobek se může vklínit pod rovnoběžné vodítko a způsobit zpětný ráz.

### 3) Příčiny a vyvarování se zpětného rázu:

Zpětný ráz je náhlá reakce obrobku v důsledku sevřeného, zaseknutého pilového kotouče nebo nerovné linie řezu v obrobku vzhledem na pilový kotouč nebo když se část obrobku sevře mezi pilový kotouč a rovnoběžné vodítko nebo jiný pevný předmět.

Nejčastěji se během zpětného rázu obrobek zvedne ze stolu zádi pilového kotouče a je hnán směrem k pracovníkovi obsluhy.

Zpětný ráz je důsledkem špatného nebo chybného použití pily. Lze mu vhodnými preventivními opatřeními, jak je následovně popsáno, zabránit.

a) **Nikdy nestůjte přímo v jedné linii s pilovým kotoučem. Vždy mějte své tělo na stejné straně pilového kotouče jako vodítko.** Zpětný ráz může obrobek pohánět vysokou rychlostí



směrem k někomu, kdo stojí vpředu a je v jedné linii s pilovým kotoučem.

b) **Nikdy nesahejte nad nebo za pilový kotouč na tažení nebo podpírání obrobku.** Může dojít k náhodnému kontaktu s pilovým kotoučem nebo zpětný ráz může vtáhnout Vaše prsty do pilového kotouče.

c) **Nikdy nedržte a netlačte obrobek, který je odřezávaný, proti otáčejícímu se pilovému kotouči.** Stisknutím obrobku, který je odřezávaný, proti pilovému kotouči vznikne stav sevrění a zpětný ráz.

d) **Srovnejte vodítko do paralelní polohy s pilovým kotoučem.** Nesprávné zarovnané vodítko stlačí obrobek proti pilovému kotouči a vytvoří zpětný ráz.

e) **Používejte přítlačný hřeben na vedení obrobku proti stolu a vodítko při vytváření nerozříznutých řezů, jako je falcování.**

Přítlačný hřeben pomáhá ovládat obrobek v případě zpětného rázu.

f) **Při provádění řezu do slepých oblastí smontovaných obrobků dbejte zvýšené opatrnosti.** Vyčnívající pilový kotouč může řezat předměty, které mohou způsobit zpětný ráz.

g) **Podepřete velké desky, aby se minimalizovalo riziko sevrění pilového kotouče a zpětného rázu.** Velké desky mají tendenci prohýbat se pod vlastní váhou. Podpěra (podpěry) musí být umístěna pod všemi částmi desky, které přesahují vrchní část stolu.

h) **Při řezání obrobku, který je zkroucený, zauzlený, zvlněný nebo nemá rovnou hranu, je třeba věnovat zvýšenou opatrnost, abyste ho vedli s měřítkem pokosu nebo podél vodítka.** Zvlněný, zauzlený nebo zkroucený obrobek je nestabilní a způsobuje nesprávné nastavení zářezu pilovým kotoučem, sevrění a zpětný ráz.

i) **Nikdy neřežte více než jeden obrobek, neřežte vertikálně nebo horizontálně navrstvené obrobky.** Pilový kotouč by mohl zachytit jednu nebo více částí a způsobit zpětný ráz.

j) **Při opětovném spuštění pily s pilovým kotoučem v obrobku vystředte pilový kotouč v zářezu tak, aby zuby pily nezabíraly do materiálu.** Pokud se pilový kotouč sevrě, může se při opětovném spuštění pily zvednout obrobek a způsobit zpětný ráz.

k) **Udržujte pilové kotouče čisté, ostré a s dostatečným nastavením. Nikdy nepoužívejte zvlněné pilové kotouče ani pilové kotouče s popraskanými nebo zlomenými zuby.** Ostré a správně nastavené pilové kotouče minimalizují sevrění, blokování a zpětný ráz.

#### 4) Upozornění k provoznímu postupu stolové pily

a) **Vypněte stolovou pilu a odpojte akumulátor při demontáži stolové vložky, při výměně pilového kotouče nebo při úpravách řezného nože, zařízení proti zpětnému rázu nebo ochranného krytu pilového kotouče a když necháváte stroj bez dozoru.** Preventivní opatření zabrání nehodám.

b) **Nikdy nenechávejte stolovou pilu běžet bez dozoru. Vypněte ji a neopouštějte nástroj, dokud se zcela nezastaví.** Bez dozoru běžící pila je nekontrolovatelným nebezpečím.

c) **Umístěte stolovou pilu v dobře osvětlených a rovných oblastech, kde můžete udržovat dobrou pozici a rovnováhu.**

**Měla by být instalována v oblasti, která poskytuje dostatek prostoru pro snadné zacházení s velikostí Vašeho obrobku.**

Stísněné, tmavé oblasti a nerovné kluzké podlahy vytvářejí předpoklad pro nehody.

d) **Často čistěte a odstraňujte piliny spod stolu pily a/nebo zařízení pro sběr prachu.** Nahromaděné piliny jsou hořlavé a mohou se samovolně vznítit.

e) **Stolová pila musí být zajištěna.** Stolová pila, která není správně zajištěna, se může pohybovat nebo převrátit.

f) **Odstraňte nástroje, zbytky dřeva atd. ze stolu před tím, než zapnete stolovou pilu.** Nepozornost nebo potenciální zaseknutí mohou být nebezpečné.

g) **Vždy používejte pilové kotouče správné velikosti a tvaru (kosočtvercové versus kulaté) upínacího otvoru.** Pilové kotouče, které neodpovídají montážnímu vybavení pily, budou běžet excentricky, což způsobí ztrátu kontroly.

h) **Nikdy nepoužívejte poškozené nebo nesprávné montážní prostředky pilového kotouče, jako jsou příruby, podložky pilových kotoučů, šrouby nebo matice.** Tyto montážní prostředky byly speciálně navrženy pro Vaši pilu, pro bezpečný provoz a optimální výkon.

i) **Nikdy nestůjte na stolové pile, nepoužívejte ji jako nášlapný stoleček.** Může dojít k vážnému poranění, pokud se nástroj překlolí nebo pokud náhodně dojde ke kontaktu s řezným nástrojem.

j) **Ujistěte se, že je pilový kotouč nainstalován tak, aby se otáčel správným směrem. Na stolovou pilu nepoužívejte brusné kotouče, drátěné kartáče ani abrazivní kotouče.** Nesprávná instalace pilového kotouče nebo použití nedoporučeného příslušenství mohou způsobit vážné poranění.

#### Další bezpečnostní a pracovní pokyny

Drážkování, vykruzování, rozmitání a profilové frézování jsou zakázána.

Používejte chrániče sluchu. Nadměrný hluk může vést ke ztrátě sluchu.

Použijte ochranné vybavení. Při práci s elektrickým nářadím používejte vždy ochranné brýle. Doporučujeme rovněž použití součástí ochranného oděvu a ochranné obuvi, jako protiprašné masky, ochranných rukavic, pevné a nekouzající obuvi, ochranné přílby a ochrany sluchu.

Prach vznikající při práci bývá zdraví škodlivý, a proto by se neměly vdechovat. Používejte odsávání prachu a navíc se chraňte vhodnou ochrannou maskou. Usazený prach dobře odstraňte, např. odsátím. Zajistěte stabilní polohu stroje.

Před prvním použitím stroje doporučujeme pečlivě pročíst návod k používání a seznámit se s praktickou obsluhou.

Nepoužívejte poškozené nebo deformované pilové listy.

Používejte vždy jen řádně naostřené pilové listy.

Používejte pouze ředivoobráběcí kotouče specifikované v tomto návodu, které splňují požadavky normy EN 847-1.

Aby se minimalizovala hlučnost, musí být nářadí nabroušeno a všechny komponenty, sloužící ke snížení hluku (ochranné kryty atd.), řádně nastaveny.

Je povoleno používat jen nástroje, které splňují EN 847-1.

Nářadí se musí přepravovat a přechovávat ve vhodné schránce.

Vyberte pilový list vhodný k řezání vybraného materiálu



Dodržujte maximální počet otáček uvedený na pilovém listu. Nepoužívejte pilové listy vyrobené z rychlořezné oceli. Nepoužívejte prosím s brusnými kotouči!

**ODSTRÁŇTE UTAHOVACÍ KLÍČE.** Před každým použitím nářadí zkontrolujte, zda jste nezapomněli odstranit veškeré utahovací klíče.

Závady na stroj, ochranném zařízení nebo pilových listech musí být ihned po zjištění nahlášeny osobě zodpovědné za bezpečnost.

Nesahjte do nebezpečného prostoru běžícího stroje.

Pokud stroj běží, nesmí být odstraňovány třísky nebo odštěpky.

Horní ochranný kryt se nesmí používat jako úchyt při přepravě!

Během přepravy nářadí musí horní ochranný kryt zakrývat horní díl pilového kotouče.

Zkontrolujte, zda je vodičko pro paralelní řez paralelní s pilovým kotoučem.

Udržujte čistotu a pravidelně zametajte piliny a odřezky.

I přes dodržení všech příslušných předpisů mohou vzniknout při provozu pily nebezpečí, např.:

odlétnutím části obráběného kusu, odlétnutím části poškozeného nářadí, vznikajícím hlukem, vznikající dřevním prachem.

Před zahájením veškerých prací na vrtacím šroubováku vyjmout výměnný akumulátor.

**VAROVÁNÍ!** Abyste zabránili nebezpečí požáru způsobeného zkratem, poraněním nebo poškozením výrobku, neponožujte nářadí, výměnnou baterii nebo nabíječku do kapalin a zajistěte, aby do zařízení a akumulátorů nevnikly žádné tekutiny. Korodující nebo vodivé kapaliny, jako je slaná voda, určité chemikálie a bělicí prostředky nebo výrobky, které obsahují bělidlo, mohou způsobit zkrat.

Akumulátor systému M18 nabíjejte pouze nabíječkou systému M18. Nenabíjejte akumulátory jiných systémů.

Náhradní akumulátory ani nabíječku neotvírejte, skladujte je v suchu, chráňte před vlhkem.

## VAROVÁNÍ



Toto zařízení obsahuje knoflíkovou/mincovou lithiovou baterii. Nová nebo použitá baterie může způsobit vážné vnitřní popálení a věst k usmrcení do 2 hodin, pokud je spolknuta nebo vstoupila do těla. Vždy zajistěte kryt prostoru pro baterie. Pokud se bezpečně neuzavře, zařízení zastavte, vyjměte baterii a držte ji mimo dosah dětí. Pokud si myslíte, že někdo spolkl baterii nebo jinak vstoupila do těla, okamžitě vyhledejte lékařskou pomoc.

## OBLAST VYUŽITÍ

Stolní kotoučovou pilu použijte pouze k řezání dřeva a produktů ze dřeva.

Stolní kotoučovou pilu nikdy nepoužívejte k řezání jiných než v návodu k obsluze uvedených materiálů.

Řezivo s kruhovým nebo nepravidelným průřezem (např. palivové dříví) se nesmí řezat, protože je nelze bezpečně fixovat. Při řezání plochého materiálu na výšku se k bezpečnému vedení musí používat vhodná pomocná zářka.

Podélné řezání, příčné řezání, pokosové řezání a řezání zkosení pomocí max. jednoho namontovaného pilového kotouče.

## ZBÝVAJÍCÍ RIZIKA

Dokonce ani při řádném používání výrobku podle předpisů se nedají zcela vyloučit zbývající rizika. Při používání mohou vzniknout následující rizika, a proto by obsluha měla dodržovat následující pokyny:

- Aby se zabránilo poruchám sluchu, je třeba omezit dobu expozice a je nutné používat vhodnou ochranu sluchu.

- Obsluha by měla převést taková opatření, aby se zredukovaly důsledky vibrací a omezila se doba expozice.

- Je třeba nosit ochrannou respirační masku, aby se předešlo rizikům poškození zdraví, která mohou vzniknout vdechnutím prachu z řezání.

## ÚDRŽBA

Před spuštěním jakýchkoliv úprav, čištění a údržby na zařízení vyberte akumulátorový článek.

Ujistěte se, že jste pilu odpojili od zdroje napájení před montáží a demontáží pilového kotouče.

Pravidelně odstraňujte prach. Odstraňujte piliny nashromážděné uvnitř pily, abyste tak zamezili riziku vzniku požáru.

Vyměňte opotřebovanou stolní vložku.

Přístroj a ochranný kryt čistěte suchým hadříkem.

Větrací štěrbinu nářadí udržujeme stále čistě.

Používat výhradně příslušenství Milwaukee a náhradní díly Milwaukee. Díly jejichž výměny nebyla popsána, nechte vyměnit v autorizovaném servisu (viz. "Záruky / Seznam servisních míst")

Při potřebě podrobného rozkresu konstrukce, oslovte informaci o typu a čísle přímo servis a nebo výrobce, Technonic Industries GmbH, Max-Eyth-Straße 10, 71364 Winnenden, Germany.

## ONE-KEY™

Pokud se chcete dozvědět více o funkcionalitě ONE-KEY tohoto zařízení, podívejte se prosím do Průvodce rychlým startem, který je součástí tohoto výrobku nebo jděte na <http://www.milwaukeetool.com/one-key>

Aplikaci ONE-KEY si můžete stáhnout na Váš smartphone z App Store nebo Google Play.

Výsledek zkoušky splňuje naše minimální požadavky v souladu s normami EN 301 489-1 / EN 301 489-17. A zákazníkovi dáme provozní pokyny v uživatelské příručce.

## AKUMULÁTORY

Déle nepoužívané akumulátory je nutné před použitím znovu nabít. Teplota přes 50°C snižuje výkon akumulátoru. Chraňte před dlouhým přehříváním na slunci či u topení.

Kontakty nabíječky a akumulátoru udržujte v čistotě.

Pro optimální životnost je nutné akumulátory po použití plně dobít. Déle nepoužívané akumulátory je nutné před použitím znovu nabít.

K zabezpečení dlouhé životnosti je se akumulátory měly po nabití vyjmout z nabíječky.

Při skladování akumulátoru po dobu delší než 30 dní: Skladujte akumulátor v suchu při cca 27°C. Skladujte akumulátor při cca 30%-50% nabíjecí kapacity. Opakujte nabíjení akumulátoru každých 6 měsíců.

Použitě nevyhazujte do domovního odpadu nebo do ohně. Milwaukee nabízí ekologickou likvidaci starých článků, ptejte se u vašeho obchodníka s nářadím.

Náhradní akumulátor neskladujte s kovovými předměty, nebezpečí zkratu.

Při extrémní zátěži či vysoké teplotě může z akumulátoru vytékat kapalina. Při zasažení touto kapalinou okamžitě zasažená místa omyjte vodou a mýdlem. Při zasažení očí okamžitě důkladně po dobu alespoň 10min. omyvat a neodkladně vyhledat lékaře.

V nabíjecím postu nabíječky neskladujte kovové předměty, nebezpečí zkratu.

## OCHRANA PROTI PŘETÍŽENÍ AKUMULÁTORU

Při přetížení akumulátoru prostřednictvím příliš vysoké spotřeby proudu, např. extrémně vysoké krouticí momenty, uvíznutí nasazeného nářadí, prudké nečekané zastavení nebo zkrat, se elektrické nářadí na 2 sekundy zastaví a samostatně se vypne. K opětovnému zapnutí uvolněte a následně opět stiskněte tlačítkový vypínač. Při extrémním zatížení se akumulátor může silně zahřát. Dojde-li k tomu, akumulátor se vypne. Akumulátor v tomto případě k dobití a aktivaci vložte opět do nabíječky.

## PŘEPRAVA LITHIUM-IONTOVÝCH BATERIÍ

Lithium-iontové baterie spadají podle zákonných ustanovení pod přepravu nebezpečného nákladu.

Přeprava těchto baterií se musí realizovat s dodržováním lokálních, vnitrostátních a mezinárodních předpisů a ustanovení.

Spotřebitelé mohou tyto baterie bez problémů přepravovat po komunikacích.

Komerční přeprava lithium-iontových baterií prostřednictvím přepravních firem podléhá ustanovením o přepravě nebezpečného nákladu. Přípravu k vyexpedování a samotnou přepravu smějí vykonávat jen příslušně vyškolené osoby. Na celý proces se musí odborně dohlížet.

Při přepravě baterií je třeba dodržovat následující:

Zajistěte, aby kontakty byly chráněné a izolované, aby se zamezilo zkratům. Dávejte pozor na to, aby se svazek baterií v rámci balení nemohl sesmeknout. Poškozené a vyteklé baterie se nesmějí přepravovat. Ohledně dalších informací se obraťte na vaši přepravní firmu.

## CE-PROHLÁŠENÍ O SHODĚ

Prohlašujeme na naši výhradní odpovědnost, že produkt popsán v části „Technické údaje“ splňuje všechna příslušná ustanovení směrnice

2011/65/EU (RoHS)

2006/42/ES

2014/53/EU

a byly použity následující harmonizované normy

EN 62841-1:2015

EN 62841-3-1:2014+AC:2015+A11:2017

EN 62479:2010

EN 55014-1:2017+A11:2020

EN 55014-2:2015

EN IEC 63000:2018

EN 301 489-1 V2.2.3

EN 301 489-17 V3.1.1

EN 300 328 V2.2.2



Winnenden, 2020-11-11

Alexander Krug / Managing Director

Zplnomocněn k sestavování technických podkladů.

Techtronic Industries GmbH

Max-Eyth-Straße 10, 71364 Winnenden, Germany

## SYMBOLY



Před spuštěním stroje si pečlivě přečtěte návod k používání.



POZOR! VAROVÁNÍ! NEBEZPEČÍ!



Před zahájením veškerých prací na vrtacím šroubováků vjymout výměnný akumulátor.



Používejte chrániče sluchu!

Používejte při práci vhodnou ochranou masku.



Při práci se strojem neustále nosit ochranné brýle.



Používejte ochranné rukavice!



Nikdy nedávejte ruce do prostoru pilového listu.



Zařízení lze používat jen ve vnitřních prostorách, nepoužívat v dešti.



Příslušenství není součástí dodávky, viz program příslušenství.



Přítlačný hřebec a tlačné bloky je možné zakoupit u odborných prodejců. Prosím, používejte pouze vysoce kvalitní příslušenství.



Elektrická zařízení, baterie/akumulátory se nesmí likvidovat společně s odpadem z domácností. Elektrická zařízení, baterie/akumulátory je třeba sbírat odděleně a odevzdat je v recyklačním podniku na ekologickou likvidaci. Na místních úřadech nebo u vašeho specializovaného prodejce se informujte na recyklační podniky a sběrné dvory.

n<sub>0</sub>

Volnoběžné otáčky

V

Napájení V~



Stejnosměrný proud



Značka shody v Evropě



Značka shody v Británii



Značka shody na Ukrajině



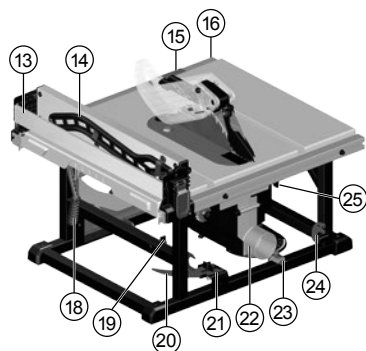
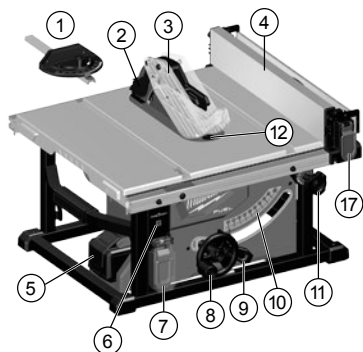
Značka shody pro oblast Eurasie



| TECHNICKÉ ÚDAJE   |                 | M18 FTS210                         |
|---|-----------------|------------------------------------|
| Stolová kotúčová píla   |                 |                                    |
| Výrobné číslo   |                 | 4609 60 02...<br>... 000001-999999 |
| Napätie výmenného akumulátora   |                 | 18 V                               |
| Otáčky naprázdno  |                 | 6300 min <sup>-1</sup>             |
| Frekvenčné pásmo  |                 | 2402-2480 MHz                      |
| Vysokofrekvenčný výkon  |                 | 1,8 dBm                            |
| Priemer pílového listu x priemer diery  |                 | 210 x 30 mm                        |
| Hrúbka tela pílového kotúča   |                 | max. 1,55 mm                       |
| Hrúbka zubu   |                 | min. 1,8 mm<br>max. 2,2 mm         |
| Max. hĺbka rezu pri 0 / 45°   |                 | 63,5 / 44 mm                       |
| Vzdialenosť medzi rovnobežným vodidlom a pílovým kotúčom max.   | Vľavo<br>Vpravo | 310 mm<br>525 mm / 622 mm          |
| Hmotnosť podľa vykonávacieho predpisu EPTA 01/2014 (Li-Ion 2,0 Ah ... 12,0 Ah)  |                 | 21,2 kg ... 22,3 kg                |
| Odporúčaná teplota okolia pre prevádzku   |                 | -18°C ... +50°C                    |
| Odporúčaná akupaky  |                 | M18B... / M18HB...                 |
| Odporúčané nabíjačky  |                 | M12-18... / M1418 C6               |
| <b>Informácia o hluku</b><br>Namerané hodnoty určené v súlade s EN 62841. V triede A posudzovaná hladina hluku prístroja činí typicky:<br>Hladina akustického tlaku (Kolisavosť K=3dB(A))<br>Hladina akustického výkonu (Kolisavosť K=3dB(A)) |                 | 92,37 dB(A)<br>103,37 dB(A)        |
| <b>Používajte ochranu sluchu!</b>   |                 |                                    |



Slov



#### Opis zariadenia

- ① Mierka pokosu
- ② Zarážky proti spätnému rázu
- ③ Rezný nôž s ochranným krytom / Ochranný kryt pílového kotúča
- ④ Rovnobežné vodidlo
- ⑤ Akumulátor
- ⑥ Indikátor ONE KEY
- ⑦ Spínač / Kryt spínača
- ⑧ Ručné koleso na nastavenie výšky
- ⑨ Páka uzamknutia skosenia
- ⑩ Stupnica skosenia
- ⑪ Koleso na nastavenie vodidla
- ⑫ Podložka drážky / Západka podložky drážky
- ⑬ Predlžujúce sklopné vodidlo
- ⑭ Prísuvná tyčka
- ⑮ Rezná stupnica indikátor
- ⑯ Rezná stupnica
- ⑰ Západky vodidla
- ⑱ Zámok vodidla
- ⑲ Maticový kľúč pílového kotúča uloženie / Maticový kľúč pílového kotúča
- ⑳ Rezný nôž
- ㉑ Rezný nôž / Rezný nôž s ochranným krytom uloženie
- ㉒ Prachový žľab
- ㉓ Mierka pokosu uloženie
- ㉔ Zarážky proti spätnému rázu uloženie
- ㉕ Rezný nôž uvoľňovacia páka

Slovensky

**⚠ POZOR** Prečítajte si všetky bezpečnostné upozornenia, pokyny, vyobrazenia a údaje, ktoré dostanete spolu s prístrojom. Zanedbanie dodržiavania Výstražných upozornení a pokynov uvedených v nasledujúcom texte môže mať za následok zásah elektrickým prúdom, spôsobí požiar a/alebo ťažké poranenie. Tieto výstražné upozornenia a bezpečnostné pokyny starostlivo uschovajte na budúce použitie.

## **⚠ BEZPEČNOSTNÉ POKYNY PRE STOLOVÉ PÍLY**

### 1) Upozornenia týkajúce sa ochranného krytu

a) **Ochranné kryty udržiavajte na určenom mieste. Ochranné kryty musia byť v prevádzkovom stave a musia byť správne namontované.** Ochranný kryt, ktorý je uvoľnený, poškodený alebo nefunguje správne, musí byť opravený alebo vymenený.

b) **Vždy používajte ochranný kryt pilového kotúča, rezný nôž a zariadenie proti spätnému rázu pre každú prerezávaciu operáciu.** Pre prerezávaciu operácie, pri ktorých pilový kotúč reže úplne cez hrúbku obrobku, ochranný kryt a ostatné bezpečnostné zariadenia pomáhajú znížiť riziko zranenia.

c) **Po ukončení operácie (ako napríklad falcovanie), ktorá vyžaduje odstránenie ochranného krytu, rezného noža a/alebo zariadenia proti spätnému rázu, ihneď opätovne namontujte ochranný systém.** Ochranný kryt, rezný nôž a zariadenie proti spätnému rázu pomáhajú znížiť riziko zranenia.

d) **Pred zapnutím spínača sa uistite, že sa pilový kotúč nenachádza v kontakte s ochranným krytom, rezným nožom ani obrobkom.** Neúmyselný kontakt týchto častí s pilovým kotúčom môže spôsobiť nebezpečný stav.

e) **Štrbinový klin justujte podľa popisu uvedenom v Návode na používanie.** Nesprávne odstup, polohovanie a zarovnanie môžu spôsobiť, že rezný nôž bude neúčinný pri znižovaní pravdepodobnosti spätného rázu.

f) **Aby rezný nôž a zariadenie proti spätnému rázu fungovali, musia byť spojené s obrobkom.** Rezný nôž a zariadenie proti spätnému rázu sú neúčinné pri rezaní obrobkov, ktoré sú príliš krátke na to, aby mohli byť spojené s rezným nožom a zariadením proti spätnému rázu. Za týchto podmienok nemožno zabrániť spätnému rázu pomocou rezného noža a zariadenia proti spätnému rázu.

g) **Používajte pre použitý pilový list vždy vhodný štrbinový klin.** Na správne fungovanie rezného noža musí byť priemer pilového kotúča zodpovedajúci príslušnému reznému nožu a teleso pilového kotúča musí byť tenšie ako hrúbka rezného noža a šírka rezania pilového kotúča musí byť širšia ako hrúbka rezného noža.

### 2) Upozornenia k postupom rezania

a) **⚠ NEBEZPEČENSTVO: Nikdy neumiestňujte svoje prsty ani ruky do blízkosti alebo do jednej línie s pilovým kotúčom.** Okamihí nepozornosti alebo pošmyknutie môžu nasmerovať Vašu ruku na pilový kotúč a spôsobiť vážne zranenie.

b) **Podávajte obrobok do pilového kotúča iba proti smeru otáčania.** Podávanie obrobku v rovnakom smere, ako sa pilový kotúč otáča nad stolom, môže mať za následok, že obrobok a Vaša ruka sú vtiahnuté do pilového kotúča.

c) **Nikdy nepoužívajte mierku pokosu na podávanie obrobku pri rozrezávaní a nepoužívajte rovnobežné vodidlo ako dĺžkový doraz pri priečnom rezaní s mierkou pokosu.**

Vedenie obrobku s rovnobežným vodidlom a mierkou pokosu v rovnakom čase zvyšuje pravdepodobnosť zovretia pilového kotúča a spätného rázu.

d) **Pri rozrezávaní vždy používajte silu na podávanie obrobku medzi vodidlom a pilovým kotúčom. Používajte prísuvnú tyčku, ak je vzdialenosť medzi vodidlom a pilovým kotúčom menšia ako 150 mm, a keď je táto vzdialenosť menšia ako 50 mm, použite prísuvný blok.** Tieto „pracovné pomôcky“ udržiavajú Vašu ruku v bezpečnej vzdialenosti od pilových kotúčov.

e) **Používajte iba prísuvnú tyčku poskytnutú výrobcom alebo skonštruovanú podľa pokynov.** Táto prísuvná tyčka poskytuje dostatočnú vzdialenosť ruky od pilového kotúča.

f) **Nikdy nepoužívajte poškodenú alebo narezanú prísuvnú tyčku.** Poškodená prísuvná tyčka sa môže zlomiť, čo spôsobí, že Vaša ruka vŕkne do pilového kotúča.

g) **Nevyklopujte žiadnu operáciu „voľnou rukou“.** Na polohovanie a vedenie obrobku vždy používajte buď rovnobežné vodidlo alebo mierku pokosu. „Voľnou rukou“ znamená používanie Vašich rúk na podopieranie alebo vedenie obrobku namiesto rovnobežného vodidla alebo miery pokosu. Rezanie voľnou rukou vedie k nesprávnemu nastaveniu, zovretiu a spätnému rázu.

h) **Nikdy nesiahajte okolo alebo nad rotujúci pilový kotúč.** Siahnutie po obrobku môže viesť k náhodnému kontaktu s pohybujúcim sa pilovým kotúčom.

i) **Zabezpečte pomocnú podperu obrobku na zadnej a/alebo bočných stranách pilového stola pre dlhé a/alebo široké obrobky, aby ste ich udržali vyrovnané.** Dlhý a/alebo široký obrobok má tendenciu otáčať sa na okraji stola, čo spôsobuje stratu kontroly, zovretie pilového kotúča a spätný ráz.

j) **Podávajte obrobok rovnomerným tempom. Obrobok neohýbajte ani nevytáčajte. Ak dôjde k zaseknutiu, ihneď vypnite nástroj, odpojte ho a potom uvoľnite zaseknutie.** Zaseknutie pilového kotúča obrobkom môže spôsobiť spätný ráz alebo zablokovanie motora.

k) **Neodstraňujte kusy odrezaného materiálu, keď je píla v prevádzke.** Materiál sa môže zachytiť medzi vodidlom alebo vnútorom ochranného krytu pilového kotúča a pilovým kotúčom a tak vtláčať Vaše prsty do pilového kotúča. Pred vybratím materiálu vypnite pílu a počkajte, kým sa pilový kotúč nezastaví.

l) **Pri rezaní obrobkov s hrúbkou menej ako 2 mm použite pomocné vodidlo v kontakte s vrchnou časťou stola.** Tenký obrobok sa môže vklíniť pod rovnobežné vodidlo a spôsobiť spätný ráz.

### 3) Dôvody spätných rázov a predchádzanie spätným rázom:

Spätný ráz je náhla reakcia obrobku v dôsledku zovretého, zaseknutého pilového kotúča alebo nerovnej línie rezu v obrobku vzhľadom na pilový kotúč alebo keď sa časť obrobku zovrie medzi pilový kotúč a rovnobežné vodidlo alebo iný pevný predmet.

Najčastejšie sa počas spätného rázu obrobok zdvihne zo stola zadnou časťou pilového kotúča a je hnaný smerom k pracovníkovi obsluhy.

Spätný ráz je následkom nesprávneho a chybného používania píly. Vhodnými preventívnymi opatreniami, ktoré popisujeme v nasledujúcom texte, mu možno zabrániť.



**Slov**

a) **Nikdy nestojte priamo v jednej línii s pilovým kotúčom. Vždy najte svoje telo na rovnej strane pilového kotúča ako vodidlo.** Spätný ráz môže obrobok poháňať vysokou rýchlosťou smerom k niekomu, kto stojí vpredu a je v jednej línii s pilovým kotúčom.

b) **Nikdy nesiahajte nad alebo za pilový kotúč na ťahanie alebo odopieranie obrobku.** Môže dôjsť k náhodnému kontaktu s pilovým kotúčom alebo spätý ráz môže vťiahnuť Vaše prsty do pilového kotúča.

c) **Nikdy nedržte a nestláčajte obrobok, ktorý je odrezávaný, proti otáčajúcejmu sa pilovému kotúču.** Stlačením obrobku, ktorý je odrezávaný, proti pilovému kotúču vznikne stav zovretia a spätý ráz.

d) **Zarovnajete vodidlo do paralelnej polohy s pilovým kotúčom.** Nesprávne zarovnané vodidlo stlačí obrobok proti pilovému kotúču a vytvorí spätý ráz.

e) **Používajte prítlačný hrebeň na vedenie obrobku proti stolu a vodidlu pri vytváraní neprerezaných rezov, ako je falcovanie.**

Prítlačný hrebeň pomáha ovládať obrobok v prípade spätého rázu.

f) **Pri vykonávaní rezu do slepých oblastí zmontovaných obrobkov dbajte na zvýšenú opatnosť.** Vyčnievajúci pilový kotúč môže rezať predmety, ktoré môžu spôsobiť spätý ráz.

g) **Podoprite veľké dosky, aby sa minimalizovalo riziko zovretia pilového kotúča a spätého rázu.** Veľké dosky majú tendenciu prehybať sa pod vlastnou váhou. Podpera (podpery) musí byť umiestnená pod všetkými časťami dosky, ktoré presahujú vrchnú časť stola.

h) **Pri rezaní obrobku, ktorý je skrútený, zauzlený, zvlnený alebo nemá rovnú hranu, je potrebné venovať zvýšenú opatnosť, aby ste ho viedli s mierkou pokosu alebo pozdĺž vodidla.** Zvlnený, zauzlený alebo skrútený obrobok je nestabilný a spôsobuje nesprávne nastavenie zárezu pilovým kotúčom, zovretie a spätý ráz.

i) **Nikdy nerežte viac ako jeden obrobok, nerežte vertikálne alebo horizontálne navrstvené obrobky.** Pilový kotúč by mohol zachytiť jednu alebo viac častí a spôsobiť spätý ráz.

j) **Pri opätovnom spustení píly s pilovým kotúčom v obrobku vycentrujte pilový kotúč v záreze tak, aby zuby píly nezaberali do materiálu.** Ak sa pilový kotúč zovrie, môže sa pri opätovnom spustení píly zdvihnúť obrobok a spôsobiť spätý ráz.

k) **Udržujte pilové kotúče čisté, ostré a s dostatočným nastavením. Nikdy nepoužívajte zvlnené pilové kotúče ani pilové kotúče s popraskanými alebo zlomenými zubami.** Ostré a správne nastavené pilové kotúče minimalizujú zovretie, blokovanie a spätý ráz.

#### 4) Upozornenia k prevádzkovému postupu stolovej píly

a) **Vypnite stolovú pílu a odpojte akumulátor pri demontáži stolovej vložky, pri výmene pilového kotúča alebo pri úpravách rezného noža, zariadenia proti spätnému rázu alebo ochranného krytu pilového kotúča a keď nechávate stroj bez dozoru.** Preventívne opatrenia zabránia nehodám.

b) **Nikdy nenechávajte stolovú pílu bežať bez dozoru. Vypnite ju a neopúšťajte nástroj, kým sa úplne nezastaví.** Bez dozoru bežiaci píla je nekontrolovateľným nebezpečenstvom.

c) **Umiestnite stolovú pílu v dobre osvetlených a rovných oblastiach, kde môžete udržiavať dobrú pozíciu a rovnováhu. Mala by byť inštalovaná v oblasti, ktorá poskytuje dostatok priestoru na ľahké zaobchádzanie s veľkosťou Vášho obrobku.** Stiesnené, tmavé oblasti a nerovné klzké podlahy vytvárajú predpoklad pre nehody.

d) **Často čistite a odstraňujte piliny spod pilového stola a/alebo zariadenia na zber prachu.** Nahromadené piliny sú horľavé a môžu sa samovoľne vznietiť.

e) **Stolová píla musí byť zaistená.** Stolová píla, ktorá nie je správne zaistená, sa môže pohybovať alebo prevrátiť.

f) **Odstráňte nástroje, zvyšky dreva atď. zo stola pred tým, než zapnete stolovú pílu.** Nepozornosť alebo potenciálne zaseknutie môžu byť nebezpečné.

g) **Vždy používajte pilové kotúče správnej veľkosti a tvaru (kosoštvorcové verus okrúhle) upínacieho otvoru.** Pilové kotúče, ktoré ne zodpovedajú montážnemu vybaveniu píly, budú bežať excentricky, čo spôsobí stratu kontroly.

h) **Nikdy nepoužívajte poškodené alebo nesprávne montážne prostriedky pilového kotúča, ako sú príruby, podložky pilových kotúčov, skrutky alebo matice.** Tieto montážne prostriedky boli špeciálne navrhnuté pre Vašu pílu, pre bezpečnú prevádzku a optimálny výkon.

i) **Nikdy nestojte na stolovej píle, nepoužívajte ju ako nášlapný stolček.** Môže dôjsť k vážnemu poraneniu, ak sa nástroj preklopi alebo ak náhodne dôjde ku kontaktu s rezným nástrojom.

j) **Uistite sa, že je pilový kotúč nainštalovaný tak, aby sa otáčal správnym smerom. Na stolovú pílu nepoužívajte brúsne kotúče, drôtené kefy ani abrazívne kotúče.** Nesprávna inštalácia pilového kotúča alebo použitie neodporúčaného príslušenstva môžu spôsobiť vážne poranenie.

#### Ďalšie bezpečnostné a pracovné pokyny

Drážkovanie, vykrúžovanie, rozmietanie a profilové frézovanie sú zakázané.

Používajte ochranu sluchu. Nadmerný hluk môže viesť k strate sluchu. Použite ochranné vybavenie. Pri práci s elektrickým náradím používajte vždy ochranné okuliare. Doporučujeme taktiež použitie súčastí ochranného odevu a ochrannej obuvi, ako sú protiprašná maska, ochranné rukavice, pevná a neklzajúca obuv, ochranná prilba a ochrana sluchu.

Prach, ktorý vzniká pri práci je často zdraviu škodlivý a nemal by sa dostať do tela. používajte odsávac prachu a noste vhodnú masku proti prachu. Uskladnený prach dôkladne odstráňte, napr. vysať.

Zaistite stabilnú polohu stroja.

Pred prvým použitím prosím prečítať návod na použitie a nechať si predviesť ako sa narába s náradím

Nepoužívajte poškodené alebo deformované pilové listy.

Používajte vždy iba riadne nabrúsené pilové listy.

Používajte iba drevoobrábacie kotúče špecifikované v tomto návode, ktoré spĺňajú požiadavky normy EN 847-1.

Na minimalizovanie vznikajúceho hluku sa musí nástroj nabrúsiť a všetky prvky znižujúce hluk (kryty atď.) náležito nastaviť.

Je dovolené používať iba nástroje, ktoré zodpovedajú norme EN 847-1.

Nástroje sa musia prepravovať a skladovať vo vhodnom obale; Vyberte si pilový list vhodný na rezanie vybraného materiálu.



Slov

Dodržiavajte maximálny počet otáčok uvedený na pilovom liste.  
Nepoužívajte pilové listy, vyrobené z rýchlorejznej ocele.  
Nepoužívajte prosím s brusnými kotúčmi!  
Odstráňte upínacie kľúče. Pred zapnutím nástroja vždy skontrolujte, či ste upínacie kľúče odstránili.

Závady na stroji, na ochrannom zariadení alebo na pilových listoch treba ihneď po zistení nahlásiť osobe zodpovednej za bezpečnosť.  
Nesiahajte do nebezpečnej oblasti bežacieho stroja.

Triesky alebo úlomky sa nesmú odstraňovať za chodu stroja.  
Vrchný ochranný kryt sa nesmie používať ako prepravný úchop!  
Počas prepravy náradia musí vrchný ochranný kryt zakrývať vrchnú časť pilového kotúča.

Skontrolujte, či sa paralelné vodidlo nachádza paralelne k pilovému kotúču.

Udržujte čistotu a pravidelne zametajte piliny a odrezky.

Pomimo zastosowania wszystkich ważnych przepisów konstrukcyjnych, w czasie eksploatacji urządzenia mogą występować zagrożenia spowodowane np. poprzec:

Wyrzucanie cząstki elementów obrabianych.  
Wyrzucanie cząstki elementów obrabianych w przypadku uszkodzenia narzędzi. Emisja hałasu, Wyrzucanie pyłu drzewnego.

Pred každou prácou na stroji výmenný akumulátor vytiahnuť.

**POZOR!** Aby ste zabránili nebezpečenstvu požiaru spôsobeného skratom, poraneniam alebo poškodeniam výrobku, neponárajte náradie, výmennú batériu alebo nabíjačku do kvapalín a postarajte sa o to, aby do zariadení a akumulátorov nevnikli žiadne tekutiny. Korodujúce alebo vodivé kvapaliny, ako je slaná voda, určité chemikálie a bieliace prostriedky alebo výrobky, ktoré obsahujú bieliadlo, môžu spôsobiť skrat.

Výmenné akumulátory systému M18 nabíjajú len nabíjacími zariadeniami systému M18. Akumulátory iných systémov týmto zariadením nenabíjajú.

Výmenné akumulátory a nabíjacie zariadenia neotvárať a skladovať len v suchých priestoroch. Chrániť pred vlhkosťou.

## POZOR



Toto zariadenie obsahuje gombíkovú/mincovú lítiovú batériu. Nová alebo použitá batéria môže spôsobiť vážne vnútorné popáleniny a viesť k usmrteniu do 2 hodín v prípade, že je prehltaná alebo vstúpi do tela. Vždy zaistíte kryt batériového priestoru. Ak sa bezpečne neuzavrie, zariadenie zastavte, vyberte batériu a držte ju mimo dosahu detí. Ak si myslíte, že niekto prehltol batériu alebo že inak vstúpila do tela, okamžite vyhľadajte lekársku pomoc.

## POUŽITIE PODĽA PREDPISOV

Svoju stolovú kotúčovú pílu používajte len na pílenie dreva a drevených výrobkov.

Stolovú kotúčovú pílu nikdy nepoužívajte na rezanie iných materiálov než aké sú uvedené v návode na obsluhu.

Rezivo s kruhovým alebo nepravidelným prierezom (napr. palivové drevo) sa nesmie rezať, pretože ho nie je možné bezpečne fixovať. Pri rezaní plochého materiálu na výšku sa k bezpečnému vedeniu musí používať vhodná pomocná zarážka.

Pozdĺžne rezanie, priečne rezanie, pokosové rezanie a rezanie skose-nia pomocou max. jedného namontovaného pilového kotúča.

## ZVÝŠKOVÉ RIZIKÁ

Dokonca ani pri riadnom používaní výrobku podľa predpisov sa nedajú úplne vylúčiť zvyškové riziká. Pri používaní môžu vzniknúť nasledujúce riziká, a preto by obsluha mala dodržiavať nasledovné pokyny:

- Aby sa zamedzilo poruchám sluchu, treba obmedziť dobu expozície a treba nosiť vhodnú ochranu sluchu.

- Obsluha by mala uskutočniť také opatrenia, aby sa zredukovali dôsledky vibrácií a obmedzila sa doba expozície.

- Treba nosiť ochrannú respiračnú masku, aby sa predišlo rizikám poškodenia zdravia, ktoré môžu vzniknúť vdýchnutím prachu z pílenia.

## ÚDRŽBA

Pred spustením akýchkoľvek úprav, čistenia a údržby na prístroji vyberte akumulátorový článok.

Vždy odpojte nástroj od elektrickej siete pred montážou alebo demontážou ostria píly.

Pravidelne odstraňujte prach. Odstráňte piliny nahromadené vo vnútri píly, aby ste zamedzili riziká vzniku požiaru.

Vymeňte opotrebovanú stolnú vložku.

Prístroj a ochranné zariadenie čistite suchou handričkou.

Vetracie otvory udržiavať stále v čistote.

Používať len Milwaukee príslušenstvo a Milwaukee náhradné diely. Súčiastky bez návodu na výmenu treba dať vymeniť v jednom z Milwaukee zákaznických centier (viď brožúru Záruka/Adresy zákaznických centier).

Pri udaní typu stroja a čísla nachádzajúceho sa na štítku dá sa v prípade potreby vyžiadať explózniva schéma prístroja od vášho zákaznického centra alebo priamo v Techtronic Industries GmbH, Max-Eyth-Straße 10, 71364 Winnenden, Germany.

## ONE-KEY™

Ak sa chcete dozvedieť viac o funkcionalite ONE-KEY tohto prístroja, pozrite si prosím Sprievodcu rýchlym štartom, ktorý je súčasťou tohto výrobku alebo choďte na <http://www.milwaukeeetool.com/one-key>

Aplikáciu ONE KEY si môžete na svoj smartphone stiahnuť z app store alebo z Google Play.

Výsledok skúšky spĺňa naše minimálne požiadavky v súlade s normami EN 301 489-1 / EN 301 489-17. In uporabniku bomo v navodilih za uporabo navedli smernice za obratovanje.

## AKUMULÁTORY

Dlhší čas nepoužívané výmenné akumulátory pred použitím dobíť.

Teplota vyššia ako 50°C znižuje výkon výmenného akumulátora. Zabráňte dlhšiemu ohriatiu slnkom alebo kúrením.

Pripájacie kontakty na nabíjacom zariadení a výmennom akumulátore udržiavať čisté.

Pre optimálnu životnosť je nutné akumulátory po použití plne dobíť. Dlhší čas nepoužívané výmenné akumulátory pred použitím dobíť.

K zabezpečeniu dlhej životnosti by sa akumulátory mali po nabití vybrať z nabíjačky.

Pri skladovaní akumulátora po dobu dlhšiu než 30 dní: Skladujte akumulátor v suchu pri cca 27°C. Skladujte akumulátor pri cca 30%-50% nabíjacej kapacity. Opakujte nabíjanie akumulátora každých 6 mesiacov.

Opotrebované výmenné akumulátory nezahadzujte do ohňa alebo medzi domový odpad. Milwaukee ponúka likvidáciu starých



výmenných akumulátorov, ktorá je v súlade s ochranou životného prostredia; informujte sa u Vášho predajcu.

Výmenné akumulátory neskladovať spolu s kovovými predmetmi (nebezpečenstvo skratu).

Pri extrémnych záťažach alebo extrémnych teplotách môže dôjsť k vytekaniu batéριοvej tekutiny z poškodeného výmenného akumulátora. Ak dôjde ku kontaktu pokožky s roztokom, postihnuté miesto umyť vodou a mydlom. Ak sa roztok dostane do očí, okamžite ich dôkladne vypláchnuť po dobu min. 10 min a bezodkladne vyhľadať lekára.

Do zasúvacieho otvoru pre výmenné akumulátory na nabíjacom zariadení, sa nesmú dostať žiadne kovové predmety (nebezpečenstvo skratu).

#### OCHRANA PROTI PREŤAŽENIU AKUMULÁTORA

Pri preťažení akumulátora prostredníctvom príliš vysokej spotreby prúdu, napr. extrémne vysoké krútiace momenty, uviaznutie nasadzovaného náradia, prudké nečakané zastavenie alebo skrat, sa elektrické náradie na 2 sekundy zastaví a samostatne sa vypne. K opätovnému zapnutiu uvoľníte a následne opäť stlačíte tlačidlový vypínač. Pri extrémnom zaťažení sa akumulátor môže silne zahriať. Ak k tomu dôjde, akumulátor sa vypne. Akumulátor v tomto prípade k dobitiu a aktivácii vložte opäť do nabíjačky.

#### PREPRAVA LÍTIOVO-IÓNOVÝCH BATÉRIÍ

Lítiovo-iónové batérie podľa zákonných ustanovení spadajú pod prepravu nebezpečného nákladu.

Preprava týchto batérií sa musí realizovať s dodržiavaním lokálnych, vnútroštátnych a medzinárodných predpisov a ustanovení.

Spotrebiteľia môžu tieto batérie bez problémov prepravovať po cestách.

Komerčná preprava lítiovo-iónových batérií prostredníctvom špeciálnych firiem podlieha ustanoveniam o preprave nebezpečného nákladu. Prípravu k vyexpedovaniu a samotnú prepravu smú vykonávať iba adekvátne vyškolené osoby. Na celý proces sa musí odborné dohliadať.

Pri preprave batérií treba dodržiavať nasledovné:

Zabezpečte, aby boli kontakty chránené a izolované, aby sa zamedzilo skratom. Dávajte pozor na to, aby sa zväzok batérií v rámci balenia nemohol zošmyknúť. Poškodené a vytečené batérie sa nesmú prepravovať. Kvôli ďalším informáciám sa obráťte na vašu špeciálnu firmu.

#### CE - VYHLÁSENIE KONFORMITY

Na našu výhradnú zodpovednosť vyhlasujeme, že produkt popísaný v časti „Technické údaje“ spĺňa všetky príslušné ustanovenia smerníc

2011/65/EÚ (RoHS)

2006/42/ES

2014/53/EÚ

a boli použité nasledovné harmonizované normy

EN 62841-1:2015

EN 62841-3-1:2014+AC:2015+A11:2017

EN 62479:2010

EN 55014-1:2017+A11:2020

EN 55014-2:2015

EN IEC 63000:2018

EN 301 489-1 V2.2.3

EN 301 489-17 V3.1.1

EN 300 328 V2.2.2



Winnenden, 2020-11-11

Alexander Krug / Managing Director  
Splnomocnený zostaviť technické podklady.

Techtronic Industries GmbH  
Max-Eyth-Straße 10, 71364 Winnenden, Germany



## SYMBOLY



Pred prvým použitím prístroja si pozorne prečítajte návod na obsluhu.



POZOR! NEBEZPEČENSTVO!



Pred každou prácou na stroji výmenný akumulátor vytiahnuť.



Používajte ochranu sluchu!



Pri práci nosiť vhodnú ochrannú masku, aby sa nedostal do ľudského organizmu.



Pri práci so strojom vždy noste ochranné okuliare.



Používajte ochranné rukavice!



Nikdy nedávajte ruky do priestoru pilového listu.



Prístroj je určený na použitie v krytých priestoroch, prístroj nevystavujte dažďu.



Príslušenstvo - nie je súčasťou štandardnej výbavy, odporúčané doplnenie z programu príslušenstva.



Prítlačný hrebeň a tlačné bloky je možné zakúpiť u odborných predajcov. Prosím, používajte len vysokokvalitné príslušenstvo.



Elektrické zariadenia, batérie/akumulátory sa nesmú likvidovať spolu s odpadom z domácností. Elektrické zariadenia, batérie/akumulátory treba zbierať oddelene a odovzdať ich v recyklačnom podniku na ekologickú likvidáciu. Na miestnych úradoch alebo u vášho špecializovaného predajcu sa spýtajte na recyklačné podniky a zberné dvory.

**n<sub>0</sub>**

Otáčky naprázdno

**V**

Napätie



Jednosmerný prúd



Značka zhody v Európe



Značka zhody v Británii



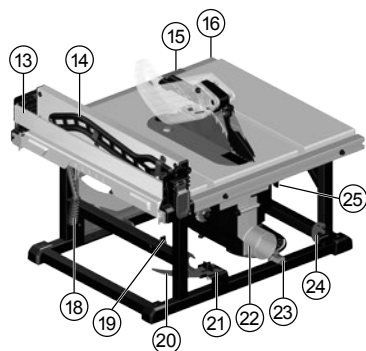
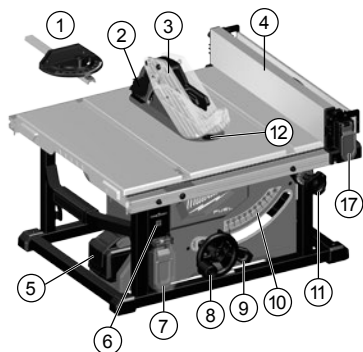
Značka zhody na Ukrajine



Značka zhody pre oblasť Eurázie



| DANE TECHNICZNE   |  | M18 FTS210                                 |
|---|--|--|
| tarczówka uniwersalna   |  |  |
| Numer produkcyjny   |  | 4609 60 02...<br>... 000001-999999         |
| Napięcie baterii akumulatorowej   |  | 18 V                                       |
| Prędkość bez obciążenia   |  | 6300 min <sup>-1</sup>                     |
| zakres częstotliwości   |  | 2402-2480 MHz                              |
| moc częstotliwości radiowej   |  | 1,8 dBm                                    |
| Średnica ostrza piły x średnica otworu  |  | 210 x 30 mm                                |
| Grubość tarczy piły   |  | maks. 1,55 mm                              |
| Grubość zęba piły   |  | min. 1,8 mm<br>maks. 2,2 mm                |
| Maksymalna głębokość cięcia pod kątem 0 / 45°   |  | 63,5 / 44 mm                               |
| Odległość między przykładnicą równoległą a tarczą piły maks.  |  | Lewo<br>Prawo<br>310 mm<br>525 mm / 622 mm |
| Ciężar wg procedury EPTA 01/2014 (Li-Ion 2,0 Ah ... 12,0 Ah)  |  | 21,2 kg ... 22,3 kg                        |
| Zalecana temperatura otoczenia w trakcie eksploatacji   |  | -18°C ... +50°C                            |
| Zalecane zestawy akumulatorowe  |  | M18B... / M18HB...                         |
| Zalecane ładowarki  |  | M12-18... / M1418 C6                       |
| <b>Informacja dotycząca szumów</b><br>Zmierzone wartości wyznaczono zgodnie z normą EN 62841. Poziom szumów urządzenia oszacowany jako A wynosi typowo:<br>Poziom ciśnienia akustycznego (Niepewność K=3dB(A))<br>Poziom mocy akustycznej (Niepewność K=3dB(A)) |  | 92,37 dB(A)<br>103,37 dB(A)                |
| <b>Należy używać ochroniaczy uszu!</b>  |  |  |



#### Opis urządzenia

- ① Prowadnica kątowna
- ② Zapadki przeciwdrzutowe
- ③ Klin rozszczepiający z osłoną / Osłona ostrza
- ④ Przykładnica równoległa
- ⑤ Akumulator
- ⑥ Wskaźnik ONE KEY
- ⑦ Przełącznik zasilania / Osłona przełącznika
- ⑧ Pokrętko do regulacji wysokości
- ⑨ Dźwignia blokady uciosu
- ⑩ Podziałka do pomiaru uciosu
- ⑪ Nastawnik liniiłu prowadzącego
- ⑫ Wkładka do stolika pilarki / Zatrask wkładki do stolika pilarki
- ⑬ Teleskopowa przykładnica do cięcia wzdłużnego
- ⑭ Popychacz
- ⑮ Wskaźnik podziałki odległości cięcia
- ⑯ Wskaźnik podziałki
- ⑰ Zaciski przykładnicy
- ⑱ Blokada przykładnicy
- ⑲ Miejsce do przechowywania klucza montażowego do tarczy piły / Miejsce do przechowywania
- ⑳ Klin rozszczepiający
- ㉑ Klin rozszczepiający / Klin rozszczepiający z osłoną klucza montażowego do tarczy piły
- ㉒ Przyłącze do odprowadzania pyłu i trocin
- ㉓ Prowadnica kątowna klucza montażowego do tarczy piły
- ㉔ Zapadki przeciwdrzutowe klucza montażowego do tarczy piły
- ㉕ Klin rozszczepiający dźwignia zwalniania

Polski

**⚠️ OSTRZEŻENIE** Przeczytać wszystkie wskazówki bezpieczeństwa, instrukcje, ilustracje i dane dołączone do urządzenia. Błędy w przestrzeganiu poniższych wskazówek mogą spowodować porażenie prądem, pożar i/lub ciężkie obrażenia ciała. Należy starannie przechowywać wszystkie przepisy i wskazówki bezpieczeństwa dla dalszego zastosowania.

## **⚠️ INSTRUKCJE BEZPIECZEŃSTWA DLA PILAREK STOŁOWYCH**

### **1) Ostrzeżenia związane z elementami ochronnymi**

a) **Oslony muszą być zamocowane na swoim miejscu. Oslony muszą być sprawne i prawidłowo zamontowane.** Osłona, która jest luźna, uszkodzona lub nie działa prawidłowo, musi zostać naprawiona lub wymieniona.

b) **Przy każdej operacji całkowitego przecinania materiału zawsze używaj osłony tarczy piły, klina rozszczepiającego i urządzenia przeciwodrzutowego.** W przypadku operacji przecinania, w których tarcza piły tnie całkowicie przez grubość obrabianego materiału, osłona i inne urządzenia zabezpieczające zmniejszają ryzyko obrażeń.

c) **Po ukończeniu operacji (takiej jak np. wręgowanie), która wymaga zdjęcia osłony, klina rozszczepiającego i/lub urządzenia przeciwodrzutowego należy natychmiast z powrotem zamontować system elementów ochronnych.** Osłona, klin rozszczepiający i urządzenie przeciwodrzutowe zmniejszają ryzyko obrażeń.

d) **Przed włączeniem przełącznika upewnij się, że tarcza piły dotyka osłony, klina rozszczepiającego lub obrabianego materiału.** Przypadkowy kontakt tych przedmiotów z tarczą piły może spowodować powstanie sytuacji niebezpiecznych.

e) **Klin rozszczepiający należy wyjustować jak opisane zostało to w instrukcji obsługi.** Nieprawidłowy odstęp, ustawienie i ułożenie może sprawić, że klin rozszczepiający nie będzie spełniał swej funkcji zmniejszania prawdopodobieństwa odrzutu.

f) **Aby klin rozszczepiający i urządzenie przeciwodrzutowe zadziałały, muszą one wejść w kontakt z obrabianym materiałem.** Klin rozszczepiający i urządzenie przeciwodrzutowe nie spełniają swej funkcji podczas cięcia materiałów, które są zbyt krótkie, aby mogły wejść w kontakt z klinem rozszczepiającym i urządzeniem przeciwodrzutowym. W takich warunkach klin rozszczepiający i urządzenie przeciwodrzutowe nie mogą zapobiec odrzutowi.

g) **Należy używać pasującego do używanego brzeszczotu klina rozszczepiającego.** Aby klin rozszczepiający działał prawidłowo, średnica tarczy piły musi być dopasowana do odpowiedniego klina rozszczepiającego, korpus tarczy musi być cieńszy niż grubość klina rozszczepiającego, a szerokość tnąca ostrza musi być szersza niż grubość klina rozszczepiającego.

### **2) Ostrzeżenia związane z procedurami cięcia**

a) **⚠️ NIEBEZPIECZEŃSTWO: Nigdy nie trzymaj palców ani dłoni w pobliżu ani w linii tarczy piły.** Chwila nieuwagi lub poślizgnięcie może skierować Twoją dłoń w kierunku ostrza piły i spowodować poważne obrażenia ciała.

b) **Popychaj obrabiany materiał do tarczy piły wyłącznie w kierunku przeciwnym do kierunku jej obrotów.** Popychanie materiału w tym samym kierunku, w którym obraca się tarcza piły

ponad stołem, może spowodować wciągnięcie materiału wraz z dłonią na tarczę piły.

c) **Nigdy nie używaj przewodnicy kątowej do posuwu obrabianego materiału podczas cięcia wzdłużnego, ani przykładnicy równoległej jako ogranicznika długości podczas cięcia poprzecznego za pomocą przewodnicy kątowej.** Jednoczesne prowadzenie obrabianego materiału za pomocą przykładnicy równoległej i przewodnicy kątowej zwiększa prawdopodobieństwo zablokowania tarczy i odrzutu.

d) **Podczas cięcia wzdłużnego zawsze przykładaj siłę posuwu obrabianego materiału między przykładnicą a tarczą piły. Użyj popychacza, gdy odległość między przykładnicą a tarczą jest mniejsza niż 150 mm, i dociskacza, gdy odległość ta jest mniejsza niż 50 mm.** Urządzenia „pomagające w pracy” będą utrzymywać rękę w bezpiecznej odległości od tarczy piły.

e) **Używaj wyłącznie popychacza dostarczonego przez producenta lub skonstruowanego zgodnie z instrukcjami.** Taki popychacz zapewni wystarczającą odległość dłoni od tarczy piły.

f) **Nigdy nie używaj uszkodzonego lub ponacinanego popychacza.** Uszkodzony popychacz może pęknąć, powodując przesunięcie dłoni w tarczę piły.

g) **Nie wykonuj żadnej operacji „ręcznego prowadzenia” materiału.** W celu pozycjonowania i prowadzenia obrabianego materiału zawsze używaj przykładnicy równoległej lub przewodnicy kątowej. „Prowadzenie ręczne” oznacza używanie rąk do podparcia lub prowadzenia obrabianego materiału zamiast używania przykładnicy równoległej lub przewodnicy kątowej. Przecinanie odrębne prowadzi do nieprawidłowego ustawienia, zablokowania tarczy piły i odrzutu.

h) **Nigdy nie sięgaj rękoma w pobliżu lub ponad obracającą się tarczą piły.** Sięganie po obrabiany materiał może prowadzić do przypadkowego kontaktu z ruchomą tarczą piły.

i) **Zapewnij pomocnicze podparcie stołowej dla długich i/lub szerokich materiałów, aby utrzymać je na jednym poziomie.** Długi i/lub szeroki obrabiany materiał ma tendencję do obracania się na krawędzi stołu powodując utratę kontroli, zablokowanie tarczy piły i odrzutu.

j) **Podczas cięcia dosuwaj materiał w równym tempie. Nie zginaj ani nie skręcaj obrabianego materiału. Jeśli nastąpi zakleszczenie, natychmiast wyłącz narzędzie, odłącz je, a następnie usuń zakleszczenie.** Zakleszczenie tarczy piły przez obrabiany materiał może spowodować odrzut lub zatrzymanie silnika.

k) **Nie usuwaj kawałków odciętego materiału podczas pracy piły.** Materiał może zostać uwięziony między przykładnicą lub wewnątrz osłony tarczy piły, a tarcza tnąca może pociągnąć palce w ostrze. Przed wyjęciem materiału wyłącz pilarkę i poczekaj, aż tarcza piły zatrzyma się.

l) **Podczas cięcia wzdłużnego materiałów o grubości mniejszej niż 2 mm użyj przykładnicy pomocniczej stykającej się z blatem stołu.** Cienki materiał może zaklinować się pod przykładnicą równoległą i spowodować odrzut.



Pol

### 3) Przyczyny i uniknięcie odbicia zwrotnego:

Odrzut to nagła reakcja obrabianego materiału, powstała w wyniku zablokowania, zakleszczenia tarczy piły lub nieprawidłowo ustawioną linią cięcia materiału względem ostrza tnącego lub gdy część materiału blokuje się pomiędzy tarczą piły a przykładnicą równoległą lub innym stałym obiektem.

Najczęściej podczas odrzutu obrabiany materiał jest podrywany ze stołu przez tylną część ostrza i wyrzucany w stronę operatora.

Odbicie zwrotne jest następstwem nieprawidłowego lub błędnego używania piły. Można mu zapobiec stosując odpowiednie środki ostrożności, tak jak opisano niżej.

a) **Nigdy nie stój bezpośrednio w linii z tarczą piły. Zawsze ustawiaj się po tej samej stronie ostrza tnącego, co przykładnica.** Odrzut może wyrzucić obrabiany materiał z dużą prędkością w kierunku każdej osoby stojącej z przodu i w linii z tarczą piły.

b) **Nigdy nie sięgaj dłońmi ponad lub z tyłu ostrza tnącego, by pociągnąć lub podeprzeć obrabiany materiał.** Może to spowodować przypadkowy kontakt z tarczą piły lub odrzut może wciągnąć palce w ostrze.

c) **Nigdy nie przytrzymuj i nie dociskaj przecinanego materiału do obracającej się tarczy piły.** Dociskanie przecinanego materiału do ostrza tnącego spowoduje powstanie warunków sprzyjających zablokowaniu i odrzutowi.

d) **Ustaw przykładnicę równoległe do tarczy piły.** Nieprawidłowo ustawiona przykładnica będzie dociskała obrabiany materiał do ostrza piły i spowoduje odrzut.

e) **Użyj przystawki do prowadzenia obrabianego materiału w kierunku stołu i przykładnicy podczas wykonywania cięć nieprzecinających materiału do końca, takich jak wręgowanie.**

Przystawka pomaga kontrolować obrabiany materiał w przypadku odrzutu.

f) **Zachowaj szczególną ostrożność podczas wykonywania cięcia w ślepych obszarach złożonych elementów.** Wystające ostrze piły może przeciąć elementy, które mogą spowodować odrzut.

g) **Podeprzyj duże panele, aby zminimalizować ryzyko zacięcia tarczy piły i odrzutu.** Duże panele mają tendencję do wyginania się pod własnym ciężarem. Podpora(-y) muszą być umieszczone pod wszystkimi częściami panelu zwisającymi poza blat stołu.

h) **Zachowaj szczególną ostrożność podczas cięcia materiału, który jest skręcony, związany, zdeformowany lub nie posiada prostej krawędzi, która pozwalałaby na prowadzenie go za pomocą prowadnicy kątowej lub wzdłuż przykładnicy.** Zdeformowany, związany lub skręcony materiał jest niestabilny i powoduje nieprawidłowe ustawienie rządu przy tarczy piły, zablokowanie i odrzut.

i) **Nigdy nie przecinaj więcej niż jednego materiału, ułożonego jeden na drugim lub obok siebie na raz.** Tarcza piły mogłaby poderwać jedną lub więcej części i spowodować odrzut.

j) **Po ponownym uruchomieniu piły z ostrzem tnącym znajdującym się w obrabianym materiale, wyśrodkuj tarczę piły w rzucie, aby zęby piły nie dotykały materiału.** Jeśli

tarcza piły się zablokuje, podczas ponownego uruchomienia może poderwać obrabiany materiał i spowodować odrzut.

k) **Tarcze piły powinny być czyste i ostre oraz w odpowiednim ustawieniu. Nigdy nie używaj wygiętych tarcz lub ostrzy z pękniętymi lub złamanymi zębami.** Ostre i odpowiednio ustawione tarcze minimalizują ryzyko zablokowania, zatrzymania i odrzutu.

### 4) Ostrzeżenia dotyczące procedury operacyjnej dla pilarek stołowych

a) **Wyłącz pilarkę stołową i odłącz akumulator podczas wyjmowania wkładki stołowej, wymiany tarczy tnącej lub dokonywania regulacji klina rozszczepiającego, urządzenia przeciwoдрzutowego lub osłony tarczy, a także gdy maszyna pozostaje bez nadzoru.** Środki zapobiegawcze pozwolą uniknąć wypadków.

b) **Nigdy nie zostawiaj pilarki stołowej bez nadzoru. Wyłącz ją i nie opuszczaj narzędzia do momentu, aż tarcza piły całkowicie się zatrzyma.** Piła pozostawiona bez nadzoru jest niekontrolowanym zagrożeniem.

c) **Umieść pilarkę stołową w dobrze oświetlonym miejscu i na równym podłożu, gdzie możesz utrzymać dobrą postawę i równowagę.** Powinna być zainstalowana w miejscu zapewniającym wystarczającą przestrzeń do łatwej obsługi rozmiaru danego materiału. Ciasne, ciemne miejsca i nierówne, śliskie posadzki sprzyjają wypadkom.

d) **Często czyść i usuwaj trociny spod pilarki stołowej i/lub urządzenia odsysającego pył.** Nagromadzone trociny są palne i mogą ulec samozapłonowi.

e) **Pilarka stołowa musi być zabezpieczona.** Pilarka stołowa, która nie jest odpowiednio zabezpieczona, może się przemieścić lub przewrócić.

f) **Usuń narzędzia, resztki drewna itp. ze stołu roboczego przed uruchomieniem pilarki stołowej.** Rozproszenie uwagi lub potencjalne zakleszczenie może być niebezpieczne.

g) **Zawsze używaj tarcz o prawidłowym rozmiarze i kształcie otworu montażowego (okrągłym lub w kształcie rombu).** Tarcze tnące niepasujące do elementów montażowych pilarki mogą się zdecentralizować powodując utratę kontroli nad urządzeniem.

h) **Nigdy nie używaj uszkodzonych lub niewłaściwych środków do montażu tarczy, takich jak kołnierze, podkładki ostre, śruby lub nakrętki.** Te elementy montażowe zostały specjalnie zaprojektowane do tej pilarki, w celu zapewnienia bezpiecznej eksploatacji i optymalnej wydajności.

i) **Nigdy nie stawaj na pilarcie stołowej i nie używaj jej jako podnóżka.** Jeżeli urządzenie przewróci się lub dojdzie do przypadkowego kontaktu z piłą, może to spowodować poważne obrażenia.

j) **Upewnij się, że tarcza piły jest odpowiednio zainstalowana i obraca się w prawidłowym kierunku. W pilarcie stołowej nie wolno używać tarcz szlifierskich, szcetek drucianych lub tarcz ściernych.** Nieprawidłowy montaż tarczy piły lub stosowanie akcesoriów innych niż zalecane może spowodować poważne obrażenia.



Pol

## **Dodatkowe wskazówki bezpieczeństwa i instrukcje robocze**

Frezowanie, rowkowanie, rozpiłowywanie i formowanie głowicy tarczy jest zabronione.

Stosować środki ochrony słuchu! Hałas może powodować utratę słuchu.

Stosować wyposażenie ochronne. Przy pracy maszyną zawsze nosić okulary ochronne. Zalecana jest odzież ochronna, jak maska pyłochronna, rękawice ochronne, mocne i chroniące przed poślizgiem obuwie, kask i ochronniki słuchu.

Pył wydzielający się podczas pracy z elektronarzędziem może być szkodliwy dla zdrowia i dlatego też nie powinien na mieć kontaktu z ciałem. Stosować układ pochłaniania pyłu i nosić odpowiednią maskę ochronną. Dokładnie usunąć nagromadzony pył np. przy pomocy odkurzacza.

Upewnić się, czy maszyna jest zawsze pewnie osadzona.

Przed rozpoczęciem użytkowania elektronarzędzia należy przeczytać instrukcję obsługi. O ile to możliwe, należy poprosić o zademonstrowanie pracy narzędzia.

Nie używać brzeszczotów/tarcz, które są zniekształcone lub uszkodzone.

Stosować tylko prawidłowo wyostrzone brzeszczoty.

Stosować wyłącznie ostrza do obróbki drewna określone w niniejszej instrukcji i zgodnie z normą EN 847-1.

W celu wyeliminowania generowania hałasu narzędzie musi być ostrzone, a wszystkie elementy wpływające na zmniejszenie hałasu (pokrywy itp.) muszą być prawidłowo ustawione.

Wolno stosować wyłącznie narzędzia, które spełniają wymagania normy EN 847-1.

Narzędzia muszą być transportowane i przechowywane w odpowiednim pojemniku;

Brzeszczot należy dobrać odpowiednio do ciętego materiału.

Należy zachowywać maksymalne obroty podane na brzeszczocie.

Nie używać brzeszczotów wykonanych ze stali szybkoobrotowej.

Proszę nie stosować tarcz szlifierskich

**ZDEJMIJCIE KLUCZYK ZACISKOWY.** Nabierzcie zwyczaju sprawdzania przed uruchomieniem narzędzia czy kluczyki zaciskowe zostały wyciągnięte.

Usterki maszyny, włączając w to urządzenie ochronne lub brzeszczoty, należy natychmiast po wykryciu zgłosić osobie odpowiedzialnej za bezpieczeństwo.

Podczas pracy strugarki nie zbliżać się do strefy niebezpiecznej.

Podczas pracy elektronarzędzia nie wolno usuwać trocin ani drzazg.

Górnej osłony nie wolno stosować jako uchwyt do transportowania!

Podczas transportowania urządzenia górna osłona musi chronić górną część piły tarczowej.

Sprawdźcie czy prowadnik cięcia równoległego jest równoległy do tarczy.

Usuwać resztki materiału z podłogi np. wióry i odcięte kawałki drewna.

Napriek dodržaniu všetkých relevantných konštrukčných predpisov môže pri používaní nástroja vzniknúť nebezpečenstvo, napr.:

odletovaním časti obrobka  
odletovaním časti nástroja pri poškodených nástrojoch  
odletovaním časti nástroja pri poškodených nástrojoch emisiou prachu

Przed przystąpieniem do jakichkolwiek prac na elektronarzędziu należy wyjąć wkładkę akumulatorową.

**OSTRZEŻENIE!** Aby uniknąć niebezpieczeństwa pożaru, obrażeń lub uszkodzeń produktu na skutek zwarcia, nie wolno zanurzać

narzędzia, akumulatora wymiennego ani ładowarki w cieczach i należy zatroszczyć się o to, aby do urządzeń i akumulatorów nie dostały się żadne ciecz. Zwarcie spowodować mogą korodujące lub przewodzące ciecz, takie jak woda morska, określone chemikalia i wybielacze lub produkty zawierające wybielacze.

Akumulatory Systemu M18 należy ładować wyłącznie przy pomocy ładowarek Systemu M18. Nie ładować przy pomocy tych ładowarek akumulatorów innych systemów.

Nie otwierać wkładek akumulatorowych i ładowarek. Przechowywać w suchych pomieszczeniach. Chronić przed wilgocią.

## **OSTRZEŻENIE**



Urządzenie posiada guzikową baterię litową. W przypadku pošknięcia lub dostania się do organizmu nowej lub używanej baterii może dojść do poparzenia wewnętrznych części ciała a nawet śmierci w ciągu zaledwie 2 godzin. Zawsze zabezpieczyć pokrywę na komorze baterii. Jeśli nie zostanie bezpiecznie zamknięta, zatrzymać urządzenie, usunąć baterię i trzymać ją w miejscu niedostępnym dla dzieci. W razie stwierdzenia pošknięcia lub dostania się baterii do organizmu w inny sposób, należy niezwłocznie skonsultować się z lekarzem.

## **WARUNKI UŻYTKOWANIA**

Tarczówki stołowej należy używać tylko do cięcia drewna i wyrobów drewnianych.

Tarczówki stołowej nigdy nie używać do cięcia materiałów innych niż podane w instrukcji obsługi.

Nie wolno ciąć przedmiotów obrabianych o przekroju okrągłym lub nieregularnym (np. drewno kominkowe, ponieważ nie są one pewnie zamocowane podczas cięcia. Podczas cięcia pionowego przedmiotów płaskich należy stosować oparcie pomocnicze do pewnego prowadzenia.

Cięcie wzdłużne, cięcie poprzeczne, cięcie ukośne i ukosowanie mogą być wykonywane za pomocą maks. jednej zamocowanej tarczy tnącej.

## **ZAGROŻENIA RESZTKOWE**

Nawet przy właściwym użytkowaniu produktu nie można całkowicie wykluczyć zagrożeń resztkowych. W przypadku stosowania mogą wystąpić następujące zagrożenia, dlatego też operator winien zwracać uwagę na następujące aspekty:

- Aby uniknąć uszkodzenia słuchu należy ograniczyć czas ekspozycji (na hałas) i używać odpowiedniej ochrony słuchu.

- Operator winien podjąć działania celem zredukowania oddziaływania wibracji i czasu ekspozycji.

- Należy używać maski do ochrony dróg oddechowych w celu wyeliminowania zagrożeń zdrowotnych, które mogą zaistnieć na skutek wdechania pyłu pochodzącego z piłowania.

## **UTRZYMANIE I KONSERWACJA**

Przed rozpoczęciem jakichkolwiek regulacji, czyszczenia i konserwacji urządzenia należy wyjąć akumulator.

Należy pamiętać, aby przed założeniem lub zdjęciem tarczy tnącej wyjąć wtyczkę z gniazda sieciowego.

Regularnie usuwać pył. W celu uniknięcia zagrożenia pożarem należy usuwać wióry gromadzące się we wnętrzu piły.

Wymieniać zużyta wkładkę stołu.

Oczyszczyć urządzenie i elementy zabezpieczające za pomocą suchej ściereczki.

Otwory wentylacyjne elektronarzędzia muszą być zawsze drożne.



Używać tylko i wyłącznie wyposażenia dodatkowego Milwaukee i części zamiennych Milwaukee. Gdyby trzeba było wymienić części, które nie zostały opisane, należy skontaktować się z przedstawicielem serwisu Milwaukee (patrz wykaz adresów punktów usługowych/gwarancyjnych).

Na życzenie można otrzymać rysunek widoku zespołu rozebranego. Przy zamawianiu należy podać numer oraz typ elektronarzędzia umieszczonego na tabliczce znamionowej. Zamówienia można dokonać albo u lokalnych przedstawicieli serwisu, albo bezpośrednio w Techtronic Industries GmbH, Max-Eyth-Straße 10, 71364 Winnenden, Germany.

#### ONE-KEY™

Aby dowiedzieć się więcej na temat funkcji ONE-KEY urzędzenia, zapoznaj się z instrukcją obsługi dołączonej do produktu lub odwiedź stronę <http://www.milwaukeetool.com/one-key>

Możesz pobrać aplikację ONE-KEY z sklepu App Store lub Google Play na swojego smartfona.

Wynik badania spełnia nasze minimalne wymagania zgodnie z normą EN 301 489-1 / EN 301 489-17. Przekażemy też klientowi wytyczne operacyjne w instrukcji obsługi.



#### BATERIE AKUMULATOROWE

Akumulatory, które nie były przez dłuższy czas użytkowane, należy przed użyciem naładować.

W temperaturze powyżej 50°C następuje spadek osiągniętych wkładki akumulatorowej. Unikaj długotrwałego wystawienia na oddziaływanie ciepła lub promieni słonecznych (niebezpieczeństwo przegrzania).

Styki ładowarek i wkładek akumulatorowych należy utrzymywać w czystości

Dla zapewnienia optymalnej żywotności akumulatory po użyciu należy naładować do pełnej pojemności. Akumulatory, które nie były przez dłuższy czas użytkowane, należy przed użyciem naładować.

Dla zapewnienia możliwie długiej żywotności akumulatory należy wyjąć z ładowarki po ich naładowaniu.

W przypadku składowania akumulatorów dłużej aniżeli 30 dni: Przechowywać je w suchym miejscu w temperaturze ok. 27°C. Przechowywać je w stanie naładowanym do ok. 30% - 50%. Ładować je ponownie co 6 miesięcy.

Zużytych akumulatorów nie wolno wrzucać do ognia ani traktować jako odpadów domowych. Milwaukee oferuje ekologiczną utylizację zużytych akumulatorów.

Nie przechowywać akumulatorów wraz z przedmiotami metalowymi (niebezpieczeństwo zwarcia).

W skrajnych warunkach temperaturowych lub przy bardzo dużym obciążeniu może dochodzić do wycieku kwasu akumulatorowego z uszkodzonych baterii akumulatorowych. W przypadku kontaktu z kwasem akumulatorowym należy natychmiast przemyć miejsce kontaktu wodą z mydłem. W przypadku kontaktu z oczami należy dokładnie przepłukiwać oczy przynajmniej przez 10 minut i zwrócić się natychmiast o pomoc medyczną.

Do ładowarki nie wolno wkładać żadnych przedmiotów metalowych (niebezpieczeństwo zwarcia).

#### ZABEZPIECZENIE PRZECIĄŻENIOWE AKUMULATORA

W przypadku przeciążenia akumulatora na skutek zbyt dużego poboru prądu, np. nadzwyczaj wysokich momentów obrotowych, zakleszczenie narzędzia roboczego, gwałtownego zatrzymania lub zwarcia, elektronarzędzie zatrzyma się w ciągu 2 sekund i samoczynnie się wyłączy. W celu ponownego włączenia narzędzia

należy zwolnić przycisk przełączający, a następnie ponownie go włączyć. Pod ekstremalnymi obciążeniami może dojść do silnego nagrzania się akumulatora. W takim wypadku akumulator wyłączy się. Wówczas należy wetknąć akumulator do ładowarki, aby go ponownie naładować i aktywować.

#### TRANSPORT AKUMULATORÓW LITOWO-JONOWYCH

Akumulatory litowo-jonowe podlegają ustawowemu przepisom dotyczącym transportu towarów niebezpiecznych.

Transport tych akumulatorów winien odbywać się przy przestrzeganiu lokalnych, krajowych i międzynarodowych rozporządzeń i przepisów.

Odbiorcom nie wolno transportować tych akumulatorów po drogach ot tak po prostu.

Komercyjny transport akumulatorów litowo-jonowych przez przedsiębiorstwa spedycyjne podlega przepisom dotyczącym transportu towarów niebezpiecznych. Przygotowania do wysyłki oraz transport mogą być wykonywane wyłącznie przez odpowiednio przeszkolone osoby. Cały proces winien odbywać się pod fachowym nadzorem.

W czasie transportu akumulatorów należy przestrzegać następujących punktów:

Celem uniknięcia zwarcia należy upewnić się, że zestyki są zabezpieczone i zaizolowane. Zwracać uwagę na to, aby zespół akumulatorów nie mógł się przemieszczać we wnętrzu opakowania. Nie wolno transportować akumulatorów uszkodzonych lub z wyciekającym z elektrolitem. Odnośnie dalszych wskazówek należy zwrócić się do swojego przedsiębiorstwa spedycyjnego.

#### DEKLARACJA ZGODNOŚCI CE

Oświadczamy na naszą wyłączną odpowiedzialność, że produkt opisany pod „Dane techniczne” spełnia wszystkie istotne przepisy dyrektyw

2011/65/UE (RoHS)

2006/42/WE

2014/53/UE

i zastosowano następujące zharmonizowane normy

EN 62841-1:2015

EN 62841-3-1:2014+AC:2015+A11:2017

EN 62479:2010

EN 55014-1:2017+A11:2020

EN 55014-2:2015

EN IEC 63000:2018

EN 301 489-1 V2.2.3

EN 301 489-17 V3.1.1

EN 300 328 V2.2.2



Winnenden, 2020-11-11

Alexander Krug / Managing Director  
Upelnomocniony do zestawienia danych technicznych

Techtronic Industries GmbH  
Max-Eyth-Straße 10, 71364 Winnenden, Germany

## SYMBOLE



Przed uruchomieniem elektronarzędzia zapoznać się uważnie z treścią instrukcji.



**UWAGA! OSTRZEŻENIE NIEBEZPIECZEŃSTWO!**



Przed przystąpieniem do jakichkolwiek prac na elektronarzędziu należy wyjąć wkładkę akumulatorową.



Należy używać ochroniaczy uszu!



Nosić odpowiednią maskę przeciwpyłową.



Nosić rękawice ochronne!



Nie należy nigdy wkładać rąk w strefę brzeszczotu piły.



Urządzenie można stosować tylko w pomieszczeniach zamkniętych. Nie wystawiać na deszcz.



Wyposażenie dodatkowe dostępne osobno.



Przystawka i dociskacze można zakupić u specjalistycznych dealerów. Należy używać tylko wysokiej jakości akcesoriów.



Urządzenia elektryczne, baterie/akumulatory nie mogą być usuwane razem z odpadami pochodzącymi z gospodarstw domowych. Urządzenia elektryczne i akumulatory należy gromadzić oddzielnie i w celu usuwania ich do odpadów zgodnie z wymaganiami środowiska naturalnego oddawać do przedsiębiorstwa utylizacyjnego. Proszę zasięgnąć informacji o centrach recyklingowych i punktach zbiorczych u władz lokalnych lub u wyspecjalizowanego dostawcy.

**n<sub>0</sub>**

Prędkość bez obciążenia

**V**

Napięcie V~



Prąd stały



Europejski Certyfikat Zgodności



Brytyjski Certyfikat Zgodności



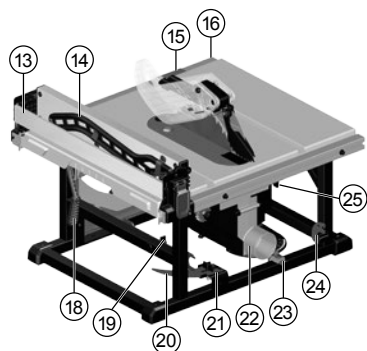
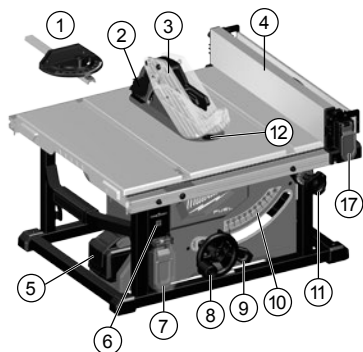
Ukraiński Certyfikat Zgodności



Euroazjatycki Certyfikat Zgodności



| MŰSZAKI ADATOK   | M18 FTS210                               |
|--|--|
| <b>Asztali körfűrész</b>   |  |
| Gyártási szám  | 4609 60 02...<br>... 000001-999999       |
| Akkumulátor feszültség   | 18 V                                     |
| Üresjárat fordulatszám   | 6300 min <sup>-1</sup>                   |
| Frekvenciasáv  | 2402-2480 MHz                            |
| Jelerősség   | 1,8 dBm                                  |
| Fűrészlap átmérő x lyukátmérő  | 210 x 30 mm                              |
| Fűrészlátrcsa lapvastagsága  | max. 1,55 mm                             |
| Fogvastagság   | min. 1,8 mm<br>max. 2,2 mm               |
| Max. vágási mélység foknál 0 / 45°   | 63,5 / 44 mm                             |
| Párhuzamvezető és fűrészlátrcsa közötti távolság max.  | Bal<br>Jobb<br>310 mm<br>525 mm / 622 mm |
| Súly a 01/2014 EPTA-eljárás szerint (Li-Ion 2,0 Ah ... 12,0 Ah)  | 21,2 kg ... 22,3 kg                      |
| Üzemeléshez ajánlott környezeti hőmérséklet  | -18°C ... +50°C                          |
| Ajánlott akkusomagok   | M18B... / M18HB...                       |
| Ajánlott töltőkészülékek   | M12-18... / M1418 C6                     |
| <b>Zajinformáció</b><br>A közölt értékek megfelelnek az EN 62841 szabványnak. A készülék munkahelyi zajszintje tipikusan:<br>Hangnyomás szint (K bizonytalanság=3dB(A))<br>Hangteljesítmény szint (K bizonytalanság=3dB(A))<br><b>Hallásvédő eszköz használata ajánlott!</b> | 92,37 dB(A)<br>103,37 dB(A)              |



#### Eszközleírás

- ① Ferdeszög-mérő
- ② Visszarugást megakadályozó körmök
- ③ Hasító kés védőburkolattal / Fűrészlátrcsa védőburkolata
- ④ Párhuzamvezető
- ⑤ Akkumulátor
- ⑥ ONE KEY jelzőlámpa
- ⑦ Tápfeszültség kapcsoló / Kapcsoló fedele
- ⑧ Magasságállító kézikerek
- ⑨ Vágásszög-rögzítő kar
- ⑩ Szögskála
- ⑪ Párhuzamvezető állítókerék
- ⑫ Toroklemez / Toroklemez-retesz
- ⑬ Túlnyúló billenő vezető
- ⑭ Tolórúd
- ⑮ Párhuzamskála jelző
- ⑯ Párhuzamskála
- ⑰ Vezetőreteszek
- ⑱ Vezetőrögzítő
- ⑲ Fűrészlap-kulcs tárolója / Fűrészlap-kulcs
- ⑳ Hasító kés
- ㉑ Hasító kés / Hasító kés védőburkolattal tárolója
- ㉒ Porcsúszda
- ㉓ Ferdeszög-mérő tárolója
- ㉔ Visszarugást megakadályozó körmök tárolója
- ㉕ Hasító kés kioldó kar





**FIGYELMEZTETÉS** Olvasson el minden, a géppel együtt megkapott biztonsági utalást, utasítást, ábrázolást és adatot. A következőkben leírt előírások betartásának elmulasztása áramütésekhez, tűzhöz és/vagy súlyos testi sérülésekhez vezethet. Kérjük a későbbi használatra gondosan őrizze meg ezeket az előírásokat.



## BIZTONSÁGI UTASÍTÁSOK A ASZTALI FÜRÉSZ HASZNÁLATÁHOZ

### 1) A védőburkolatokkal kapcsolatos figyelmeztetések

a) **A védőburkolatok mindig legyenek a helyükön. A védőburkolatoknak üzembeszállapotban és előírászerűen felszerelt helyzetben kell lenniük.** A meglazult, sérült vagy nem megfelelően működő védőburkolatot javítani vagy cserélni kell.

b) **Mindig használja a fűrésztárcsa védőburkolatát, a hasító kés és a visszarúgást megakadályozó eszközt minden átvágási művelethez.** A védőburkolat és a többi biztonsági eszköz segít a sérülésveszély csökkentésében olyan átvágási műveleteknél, ahol a fűrésztárcsa a munkadarab teljes vastagságát átvágja.

c) **Minden olyan művelet (például leélezés) elvégzése után azonnal helyezze vissza a vezetőrendszert, amely a védőburkolat, a hasító kés és/vagy a visszarúgást megakadályozó eszköz levételét igényli.** A védőburkolat, a hasító kés és a visszarúgást megakadályozó eszköz a sérülésveszély csökkentését segíti.

d) **Ügyeljen rá, hogy a kapcsoló bekapcsolása előtt a fűrésztárcsa ne érintkezzen a védőburkolattal, hasító késsel vagy a munkadarabbal.** Ezeknek az alkatrészeknek a fűrésztárcsával való rendellenes érintkezése veszélyes helyzetet teremthet.

e) **A Kezelési Utasításban leírtaknak megfelelően állítsa be a feszítőket.** A helytelen távolságbeállítás, pozicionálás és párhuzambeállítás hatástalaníthatja a hasító késnek a visszarúgást csökkentő képességét.

f) **A hasító kés és a visszarúgást megakadályozó eszköz akkor hatásos, ha behatol a munkadarabba.** A hasító kés és a visszarúgást megakadályozó eszköz nem hatásos, ha olyan munkadarabot vág, amely túl kicsi ahhoz, hogy a hasító kés és a visszarúgást megakadályozó eszköz behatoljon a munkadarabba. Ilyen körülmények között a hasító kés és a visszarúgást megakadályozó eszköz nem tudja megakadályozni a visszarúgást.

g) **Mindig az alkalmazásra kerülő fűrészlaphoz pontosan illő feszítőket használjon.** A hasító kés rendelkezésszerű működéséhez a fűrésztárcsa átmérőjének illeszkednie kell a megfelelő hasító késhez, és a fűrésztárcsa lapjának vékonyabbnak kell lennie, mint a hasító kés, és a fűrésztárcsa vágási szélességének nagyobbannak kell lennie, mint a hasító kés vastagsága.

### 2) Figyelmeztetések vágási eljárásokhoz



a) **VESZÉLY: Soha ne tegye ujjait vagy kezét a fűrésztárcsa közelébe vagy vágási vonalába.** Egy pillanatnyi figyelmetlenség vagy megcsúszás a kezét a fűrésztárcsa felé irányíthatja, ami súlyos személyi sérülést okozhat.

b) **A munkadarabot csak a fűrésztárcsa forgásirányával szemben vezesse a fűrésztárcsába.** Ha a munkadarabot a

fűrésztárcsa forgásirányába tolja az asztal felett, akkor a munkadarabot – és a kezét – behúzhatja a fűrésztárcsa.

c) **Hasítás esetén soha ne használja a ferdeszög-mérőt a munkadarab tolására, és ne használja a párhuzamvezetőt hosszirányú megállítóként, amikor keresztirányú vágást végez a ferdeszög-mérővel.** Ha a párhuzamvezetőt és a ferdeszög-mérőt egyidejűleg használja a munkadarab vezetésére, akkor megnő a fűrészlap beszorulásának és a visszarúgásnak a valószínűsége.

d) **Hasítás során a munkadarab tolási erőt mindig a párhuzamvezetőt és a fűrésztárcsa között alkalmazza.** Használjon tolórudat, ha a párhuzamvezetőt és a fűrésztárcsa közötti távolság 150 mm-nél kisebb, és használjon tolótuskót, ha a távolság 50 mm-nél kisebb. A „segédészközzel” a fűrészlátsától biztonságos távolságra tarthatja kezét.

e) **Csak a gyártó által szállított tolórudat vagy az utasításoknak megfelelően kialakított tolórudat használjon.** Ez a tolórúd kellő távolságot tart a keze és a fűrésztárcsa között.

f) **Soha ne használjon sérült vagy vágott tolórudat.** Sérült tolórúd eltörhet, aminek hatására a keze beleszúzhat a fűrészlátsába.

g) **Semmilyen munkaműveletet ne végezzen „szabadkézi” vágással.** Mindig használja a párhuzamvezetőt vagy a ferdeszög-mérőt a pozicionálásra és a munkadarab megvezetésére. A „szabadkézi” vágás azt jelenti, hogy a párhuzamvezetőt vagy a ferdeszög-mérőt helyett a kezével tartja vagy vezeti a munkadarabot.

h) **Soha ne nyúljon át forgó fűrésztárcsa fölött vagy mellett.** Ha a munkadarab után nyúl, akkor véletlenül érintkezhet a mozgó fűrészlátsával.

i) **Biztosítson kiegészítő munkadarab-megtámasztást a fűrészasztal hátuljánál és/vagy oldalainál hosszú és/vagy széles munkadarabok szintben tartásához.** Hosszú és/vagy széles munkadarab hajlamos átbillenni az asztal szélén, ami az ellenőrzés elvesztését, a fűrészlátsa beszorulását és visszarúgást eredményez.

j) **A munkadarabot egyenletes ütemben tolja. Ne hajlítsa és ne csavarja meg a munkadarabot. Ha a munkadarab beszorul, akkor azonnal kapcsolja ki a szerszámot, húzza ki a hálózati aljzatból, majd szabadítsa ki a beszorult darabot.** A fűrészlátsa munkadarabba való beszorulása visszarúgást és a motor beállítását okozhatja.

k) **Ne vegye le a levágott anyagdarabokat, amíg a fűrész mozgásban van.** Az anyag beszorulhat a párhuzamvezetőt és a fűrészlátsa közé, vagy a fűrészlátsa burkolatán belül, és a fűrészlátsa behúzhatja az ujjait a fűrészlátsába. Kapcsolja ki a fűrész és várja meg a fűrészlátsa teljes leállítását, mielőtt eltávolítja az anyagot.

l) **A 2 mm-nél vékonyabb munkadarabok hasítása esetén használjon az asztal felső felületével érintkező segédvezetőt.** A vékony munkadarab beékelődhet a párhuzamvezető alá és visszarúgást eredményezhet.

### 3) Egy visszarúgás okai és megelőzésének módja:

A visszarúgás a munkadarab hirtelen reakciója beszorult, elakadt fűrészlátsárára vagy a munkadarabban a fűrészlátsárhoz képest keletkezett eltérült vágási vonalra, vagy amikor a munkadarab



egy része beszorul a fűrésztárcsa és a párhuzamvezető vagy egyéb rögzített tárgy közé.

A visszarúgás esetén leggyakrabban az fordul elő, hogy a munkadarabot a fűrésztárcsa hátsó része felemeli az asztalról és a kezelő felé dobja.

Egy visszarúgás mindig a fűrész hibás vagy helytelen használatának következménye. Ezt az alábbiakban leírásra kerülő megfelelő óvatossági intézkedésekkel meg lehet gátolni.

a) **Soha ne álljon a fűrésztárcsa vonalában. A testét a fűrésztárcsának mindig azon az oldalán pozícionálja, mind a párhuzamvezető.** A visszarúgás nagy sebességgel vághatja ki a munkadarabot a fűrésztárcsa előtt vagy azzal egy vonalban állók felé.

b) **Ne nyúljon át a fűrésztárcsa felett vagy mögött a munkadarab visszahúzása vagy megtartása érdekében.** A fűrésztárcsával véletlenül érintkezhet és a visszarúgás behúhatja az ujjait a fűrésztárcsába.

c) **Soha ne tartsa és ne nyomja a vágás alatt levő munkadarabot a forgó fűrésztárcsának.** Ha a vágás alatt levő munkadarabot a forgó fűrésztárcsának nyomja, akkor a beszorulás és visszarúgás körülményeit teremti meg.

d) **A párhuzamvezetőt a fűrésztárcsával párhuzamosan állítsa be.** A rosszul beállított párhuzamvezető hozzácsorítja a munkadarabot a fűrésztárcsához, ami visszarúgást eredményez.

e) **Használjon nyomódeszkát a munkadarabnak az asztalhoz és a párhuzamvezetőhöz képest történő vezetésére, ha nem teljes átvágást, például leléjezést végez.**

A nyomódeszka segít a munkadarab irányításában a visszarúgás esetén.

f) **Különös óvatossággal járjon el, ha szerelt munkadarabok takart részein végez vágást.** A kiemelkedő fűrésztárcsa átvághat tárgyakat, ami visszarúgást eredményezhet.

g) **Nagy táblákat alá kell támasztani, hogy csökkentse a fűrésztárcsa beszorulásának és a visszarúgásnak a veszélyét.** Nagy táblák hajlamosak belógni a saját súlyuk miatt. A tábla asztalon túlnyúló részei alá megfelelő alátámasztást kell helyezni.

h) **Különös óvatossággal járjon el, ha megcsavarodott, csomós, görbe vagy egyenes éllel nem rendelkező munkadarabokon végez vágást ferdeszög-mérővel vagy párhuzamvezetővel.** A megcsavarodott, csomós vagy görbe munkadarab instabil és a fűrészjárat eltolódását okozza a fűrésztárcsához képest, ami beszorulást és visszarúgást eredményez.

i) **Egynél több, függőlegesen vagy vízszintesen összefogott munkadarabot ne vágjon.** A fűrésztárcsa egy vagy több darabot felkaphat és visszarúgást okozhat.

j) **Ha úgy indítja újra a fűrész, hogy a fűrésztárcsa a munkadarabban van, akkor a fűrésztárcsát a fűrészjárat közepére állítsa be úgy, hogy a fűrészfogak ne vágjanak bele az anyagba.** Ha a fűrésztárcsa beszorul, akkor felemelheti a munkadarabot és visszarúgást okozhat a fűrész újraindításakor.

k) **A fűrésztárcsa legyen mindig tiszta, éles és megfelelően beállítva. Soha ne használjon meggörbült, vetemedett fűrésztárcsát, vagy repedt, törött fogú fűrésztárcsát.** Élezze meg és megfelelően állítsa be a fűrésztárcsát a beszorulás, beállítás és visszarúgás minimalisra csökkentése érdekében.

#### 4) Az asztali fűrész üzemeltetési eljárásának figyelemztetési

a) **Kapcsolja ki az asztali fűrész és vegye ki akkumulátort, amikor eltávolítja az asztalbetétet, cseréli a fűrésztárcsát vagy a hasító kés, a visszarúgást megakadályozó eszköz vagy a fűrésztárcsa-burkolat beállításait végzi, illetve ha a gépet felügyelet nélkül hagyja.** Az óvintézkedésekkel elkerülhetők a balesetek.

b) **Soha ne hagyja az asztali fűrész felügyelet nélkül. Kapcsolja ki és addig ne hagyja ott a szerszámot, amíg az teljesen le nem áll.** A felügyelet nélkül hagyott üzemelő fűrész ellenőrizetlen veszélyforrás.

c) **Az asztali fűrész jól megvilágított és sík területen állítsa fel, ahol megfelelő álló helyzetet és egyensúlyt tud tartani. Olyan helyen kell felállítani, ahol kellő hely áll rendelkezésre az adott méretű munkadarab könnyű kezelésére.** A szűk, sötét területek és egyenetlen, csúszós talaj balesetek forrása.

d) **Gyakran takarítsa el a fűrészporthoz az asztal alatti területekről és/vagy a porgyűjtő eszközből.** A felgyülemlett fűrészporthoz gyűlékony, és öngyulladás következhet be.

e) **Az asztali fűrész le kell rögzíteni.** A nem megfelelően rögzített asztali fűrész elmozdulhat vagy felbillenhet.

f) **Az asztali fűrész bekapcsolása előtt távolítsa el a szerszámokat, a faforgácsot stb. az asztalról.** A figyelemelvonás vagy az esetleges elakadás veszélyes lehet.

g) **Mindig megfelelő tegemléretű és alakú (rombusz vagy kerek) fűrésztárcsát használjon.** A fűrész rögzítő elemeihez nem illeszkedő fűrésztárcsák kifutnak a központos helyzetből és az ellenőrzés elvesztését okozzák.

h) **Soha ne használjon sérült vagy nem megfelelő rögzítő elemeket, például karimákat, fűrésztárcsa-alátéteket, csavarokat és anyákat.** Ezeket a rögzítő elemeket kifejezetten ehhez a fűrészhez tervezték, a biztonságos üzem és az optimális teljesítmény érdekében.

i) **Soha ne álljon az asztali fűrészre, ne használja fellépő eszközként.** Súlyos sérülés következhet be, ha a szerszám felbillen vagy ha a vágószerszámmal véletlenül érintkezésbe kerül.

j) **Ügyeljen rá, hogy a fűrésztárcsa a helyes irányba forogjon. Az asztali fűrészre ne használjon köszörűköveket, drótkéféket vagy dörzskerekeket.** A nem előírászerű fűrésztárcsa felszerelése vagy a nem ajánlott tartozék használata súlyos sérülést okozhat.

#### További biztonsági és munkavégzési utasítások

Burkolatvágás, belevágás, újrafűrészelés és öntőforma vágása tilos. Viseljen hallásvédőt. A zaj hatása hallásvesztést okozhat.

Használjon védőfelszerelést! Ha a gépen dolgozik, mindig hordjon védőszemüveget! Javasoljuk a védőruházat, úgymint porvédő maszk, védőcipő, erős és csúszásbiztos lábbeli, sisak és hallásvédő használatát.

A munkavégzőkor keletkező por az egészségre ártalmas lehet. Ilyen esetben ajánlatos a megfelelő elszívó berendezés és a védőmaszk használata. A munkaterületen lerakódott port alaposan el kell takarítani.

Biztosítani kell, hogy a gép helyzete állandóan biztonságos legyen.



A készülék első használata előtt szíveskedjen a kezelési útmutatót figyelmesen átolvasni és a gyakorlati tudnivalókat elsajátítani. Nem szabad sérült vagy deformálódott vágólapot használni.

Csak előírászerűen megélesített fűrészlapokat szabad használni!

Csak a jelen használati utasításban megjelölt, az EN 847-1 szabványnak megfelelő, fagegmunkálásra alkalmas fűrészlátrcsát használjon.

A zajkibocsátás minimalizálása érdekében a szerszámot meg kell élezni, és minden zajcsökkentő elemet (burkolatok stb.) előírászerűen be kell állítani.

Csak olyan szerszámot szabad használni, amely megfelel az EN 847-1 előírásainak.

A szerszámokat csak arra alkalmas tartóban szállítsa és tárolja;

Váltszanak a vágni kívánt anyagnak megfelelő fűrészlapot!

Be kell tartani a fűrészlapon feltüntetett maximális fordulatszámot! Ne használjanak gyorsacélból készült fűrészlapokat!

Ne használjuk csiszolókoronggal!

TÁVOLJTSA EL A BEÁLLÍTÓKULCSOKAT. Válgjon szokásává az, hogy a készülék beindítása előtt leellenőrizi, hogy a kulcsokat eltávolította-e.

A gépben, a védőberendezésben vagy a fűrészlapokon jelentkező hibákat észlelésük után azonnal jelenteni kell a biztonságért felelős személynek.

A működő készülék munkaterületére nyúlni balesetveszélyes és tilos.

A munka közben keletkezett forgácsokat, szilánkokat, törmelékét, stb. csak a készülék teljes leállása után szabad a munkaterületről eltávolítani.

A gép felső védőburkolatát ne használja fogantyúként a gép szállítása közben!

Szállítás közben a felső védőburkolatnak el kell takarni a fűrészlap felső részét.

Ellenőrizze, hogy a párhuzamos vágásvezető párhuzamos a tárcsa lapjával.

A padlót anyagmaradványoktól, pl. forgácstól és fűrészelési maradványoktól tisztán kell tartani.

Minden fontos szerelési előírás betartása ellenére a gép üzemeltetése közben még veszélyek léphetnek fel, például:

a munkadarab-részek elrepülése, a szerszám-részek elrepülése következtében sérült szerszámok esetén, zajkibocsátás, faporkibocsátás.

Karbantartás, javítás, tisztítás, stb. előtt az akkumulátort ki kell venni a készülékből.

**FIGYELMEZTETÉS!** A rövidzárlat általi tűz, sérülések vagy termékkárosodások veszélye elkerülésére ne merítse a szerszámot, a cserélhető akkut vagy a töltőkészüléket folyadékokba, és gondoskodjon arról, hogy ne hatoljanak folyadékok a készülékekbe és az akkuba. A korrózió hatású vagy vezetőképes folyadékok, mint pl. a sós víz, bizonyos vegyi anyagok, fémhígítók vagy fehérítő tartalmú termékek, rövidzárlatot okozhatnak.

Az M18 elnevezésű rendszerhez tartozó akkumulátorokat kizárólag a rendszerhez tartozó töltővel töltsse fel. Ne használjon más rendszerbe tartozó töltőt.

Az akkumulátort, töltőt nem szabad megbontani és kizárólag száraz helyen szabad tárolni. Nedvességtől óvni kell.

## FIGYELMEZTETÉS



Az eszköz lítium gomebelemeket tartalmaz. Az új vagy használt elem akár 2 órán belül súlyos belső égési sérülést okozhat és halálhoz vezethet, ha lenyelik vagy ha a testbe kerül. Mindig rögzítse az elemtartó fedelét. Ha a fedél nem zár stabilan, akkor állítsa le az eszközt, vegye ki az elemet és tartsa gyermekek által nem hozzáférhető helyen. Azonnal hívjon orvost, ha úgy véli, hogy valaki lenyelte az elemet vagy más módon a testébe került.

## RENDELTESSZERŰ HASZNÁLAT

Az asztali körfűrész csak faanyagok és fatermekék fűrészeléséhez használható.

Az asztali körfűrész nem szabad más anyagok vágására használni, mint ami a kezelési útmutatóban szerepel!

Nem szabad kör-, vagy szabálytalan keresztmetszetű munkadarabokat (pl. tűzifa) fűrészelni, mivel a fűrészeléskor nem lehet ezeket biztosan rögzíteni. Az élére állított lapos munkadarabok fűrészelésénél a biztos megvezetéshez egy megfelelő segédútközöt kell használni.

Hasító vágás, keresztirányú vágás, gervégás és ferde vágás max. egy felszerelt fűrészlátrcsával történhet.

## FENNMARADÓ VESZÉLYEK

Fennmaradó veszélyek még a termék szabályos használata mellett sem zárhatók ki teljes egészében. Az alkalmazás során a következő kockázatok merülhetnek fel, ezért a kezelőnek be kell tartania az alábbiakat:

- A halláskárosodás elkerülése érdekében korlátozni kell az expozíció idejét, és megfelelő hallásvédőt kell viselni.

- A kezelőnek intézkedéseket kell tennie a vibráció hatásainak csökkentésére és az expozíció idejének korlátozására.

- Légzésvédő maszkot kell viselni azon egészségügyi kockázatok csökkentésére, amelyek a fűrészpor belélegzése által keletkezhetnek.

## KARBANTARTÁS

Az eszközön végzett mindennemű beállítás, tisztítás és karbantartás megkezdése előtt vegye ki az akkumulátort.

A fűrészlap felhelyezése és eltávolítása előtt ügyeljen arra, hogy kihúzza a szerszámot az elektromos hálózatból.

Portalanítsa rendszeresen. Távolítsa el a fűrész belsejében lerakódott fűrészport a tűzveszély elkerülése érdekében.

Az elhasználdott asztalbetétet ki kell cserélni.

A készüléket és a védőeszközt száraz kendővel tisztítsa.

A készülék szellőzőnyílásait mindig tisztán kell tartani.

Csak Milwaukee tartozékokat és Milwaukee pótkatétrészeket szabad használni. Az olyan elemeket, melyek cseréje nincs ismertetve, cseréltesse ki Milwaukee szervizzel (lásd Garancia/Ügyfélszolgálat címei kiadványt).

Szükség esetén a készülékek robbantott ábráját - a készülék típusa és azonosító száma alapján a területileg illetékes Milwaukee márkaszerviznél vagy közvetlenül a gyártótól (Technicon Industries GmbH, Max-Eyth-Straße 10, 71364 Winnenden, Germany) lehet kérni.

## ONE-KEY™

Az eszköz ONE-KEY funkcióinak részletes ismertetését megtalálja a termékhez mellékelte Gyors Kezdés útmutatóban vagy ezen a honlapon: <http://www.milwaukeetool.com/one-key>

A ONE-KEY alkalmazás az App Store-ból vagy a Google Play-ből tölthető le.

A vizsgálati eredmény teljesíti az EN 301 489-1 / EN 301 489-17 szerinti minimális követelményeinket. Az üzemeltetési útmutatót a felhasználói kézikönyvben biztosítjuk a vevő számára.



## AKKUK

A hosszabb ideig üzemben kívül lévő akkumulátort használat előtt ismételten fel kell tölteni.

50°C feletti hőmérsékletnél csökkenhet az akkumulátor teljesítménye. Kerülni kell a túlzottan meleg helyen vagy napon történő hosszabb idejű tárolást.

A töltő és az akkumulátor csatlakozóit mindig tisztán kell tartani.

Az optimális élettartam érdekében használat után az akkukat teljesen fel kell tölteni. A hosszabb ideig üzemben kívül lévő akkumulátort használat előtt ismételten fel kell tölteni.

A lehetőleg hosszú élettartamhoz az akkukat feltöltés után ki kell venni a töltőkészületről.

Az akku 30 napot meghaladó tárolása esetén: Az akkut kb. 27 °C-on, száraz helyen kell tárolni. Az akkut kb. 30-50%-os töltöttségi állapotban kell tárolni. „Az akkut 6 havonta újra fel kell tölteni.

A használt akkumulátort ne dobja tűzbe vagy a háztartási szemétkosárba. Tájékoztadjon a szakszerű megsemmisítés helyi lehetőségeiről.

Az akkumulátort ne tárolja együtt fém tárgyakkal. (Rövidzárlat veszélye).

Akkumulátor sav folyhat a sérült akkumulátorból extrém terhelés alatt, vagy extrém hő miatt. Ha az akkumulátor sav a bőrre kerül azonnal mossa meg szappanos vízzel. Szembe kerülés esetén folyóvíz alatt tartsa a szemét minimum 10 percig és azonnal forduljon orvoshoz.

Ügyeljen arra, hogy a töltő aknájába ne kerüljön semmilyen fém tárgy, mert ez rövidzárlatot okozhat.

## AZ AKKUMULÁTOR TÚLTERHELÉS ELLENI VÉDELME

Az akkumulátor nagyon magas áramfogyasztással való túlterhelése esetén, pl. rendkívül nagy nyomatok, a szerszám beszorulása, hirtelen leállás vagy rövidzárlat miatt, az elektromos szerszám 2 másodpercre leáll és magától lekapcsol. Az újbóli bekapcsoláshoz engedje el a nyomókapcsolót, majd kapcsolja be ismét. Extrém mértékű terhelés esetén az akku erősen felforrósodhat. Ebben az esetben az akku lekapcsol. Az ismételt feltöltéshez és aktiváláshoz ekkor dugja az akkut a töltőkészületbe.

## LÍTIUM-ION AKKUK SZÁLLÍTÁSA

A lítium-ion akkuk a veszélyes áruk szállítására vonatkozó törvényi rendelkezések hatálya alá tartoznak.

Az ilyen akkuk szállításának a helyi, országos és nemzetközi előírások és rendelkezések betartása mellett kell történnie.

A fogyasztók minden további nélkül szállíthatják az ilyen akkukat közúton.

A lítium-ion akkuk szállítmányozási vállalatok általi kereskedelmi célú szállítására a veszélyes áruk szállítására vonatkozó rendelkezések érvényesek. A kiszállítás előkészítését és a szállítást kizárólag megfelelő képzettségű személyek végezhetik. A teljes folyamatnak szakmai felügyelet alatt kell történnie.

A következő pontokat kell figyelembe venni akkuk szállításakor:

Biztosítsa, hogy a rövidzárlatok elkerülése érdekében az érintkezők védve és szigetelve legyenek. Ügyeljen arra, hogy az akkucsomag ne tudjon elcsúszni a csomagoláson belül. Tilos sérült vagy kifolyt akkukat szállítani. További útmutatásokért forduljon szállítmányozási vállalatához.

## CE-AZONOSSÁGI NYILATKOZAT

Kizárólagos felelősségünk alapján kijelentjük, hogy a „Műszaki adatok” fejezetben leírt termék megfelel a irányelvek összes vonatkozó rendelkezésének  
2011/65/EU (RoHS)  
2006/42/EK  
2014/53/EU  
harmonizált szabvány és a

EN 62841-1:2015  
EN 62841-3-1:2014+AC:2015+A11:2017  
EN 62479:2010  
EN 55014-1:2017+A11:2020  
EN 55014-2:2015  
EN IEC 63000:2018  
EN 301 489-1 V2.2.3  
EN 301 489-17 V3.1.1  
EN 300 328 V2.2.2



Winnenden, 2020-11-11

Alexander Krug / Managing Director  
Műszaki dokumentáció összeállításra felhatalmazva  
Techtronic Industries GmbH  
Max-Eyth-Straße 10, 71364 Winnenden, Germany



## SZIMBÓLUMOK



Kérjük alaposan olvassa el a tájékoztatót mielőtt a gépet használja.



FIGYELEM! FIGYELMEZTETÉS! VESZÉLY!



Karbantartás, javítás, tisztítás, stb. előtt az akkumulátort ki kell venni a készülékből.



Hallásvédő eszköz használata ajánlott!

Hordjon e célra alkalmas porvédőmaszkot.



Munkavégzés közben ajánlatos védőszemüveget viselni.



Hordjon védőkesztyűt!



A kezeknek soha nem szabad a fűrészlap tartományába kerülniük.



A készülék kizárólag zárt térben történő használatra alkalmas és semmiképpen sem szabad esőnek kitenni.



Azokat a tartozékokat, amelyek gyárilag nincsenek a készülékhez mellékelve, külön lehet megrendelni.



Nyomórúd és tolótuskók szakkereskedőnél vásárolhatók. Csak minőségi tartozékokat használjon.



Az elektromos eszközöket, elemeket/akkukat nem szabad a háztartási hulladékkal együtt ártalmatlanítani. Az elektromos eszközöket és akkukat szelektíven kell gyűjteni, és azokat környezetbarát ártalmatlanítás céljából hulladékhasznosító üzemben kell leadni. A helyi hatóságoknál vagy szakkereskedőjénél tájékozódjon a hulladékudvarokról és gyűjtőhelyekről.

**n<sub>0</sub>**

Üresjárat fordulatszám

**V**

Volt AC



Egyenáram



Európai megfelelőségi jelölés



Egyesült királyságbeli megfelelőségi jelölés



Ukrán megfelelőségi jelölés



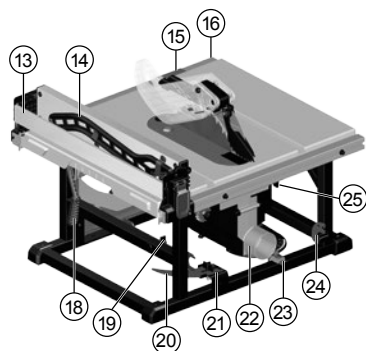
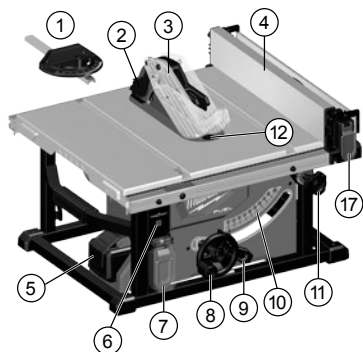
Eurázsiai megfelelőségi jelölés



| TEHNIČNI PODATKI<br>namizna krožna žaga   |  | M18 FTS210                                 |
|---|--|--|
| Proizvodna številka   |  | 4609 60 02...<br>... 000001-999999         |
| Napetost izmenljivega akumulatorja  |  | 18 V                                       |
| Število vrtljajev v prostem teku  |  | 6300 min <sup>-1</sup>                     |
| Frekvenčni pas  |  | 2402-2480 MHz                              |
| Radijsko frekvenco  |  | 1,8 dBm                                    |
| List žage ø x vrtalni ø   |  | 210 x 30 mm                                |
| Debelina rezila žage  |  | maks. 1,55 mm                              |
| Debelina zobcev   |  | min. 1,8 mm<br>maks. 2,2 mm                |
| Maks. Globina reza pri 0 / 45°  |  | 63,5 / 44 mm                               |
| Razdalja med vzporednim varovalom in rezilom žage maks.   |  | Levo<br>Desno<br>310 mm<br>525 mm / 622 mm |
| Teža po EPTA-proceduri 01/2014 (Li-Ion 2,0 Ah ... 12,0 Ah)  |  | 21,2 kg ... 22,3 kg                        |
| Priporočena temperatura okolice za obratovanje  |  | -18°C ... +50°C                            |
| Priporočeni kompleti akumulatorjev  |  | M18B... / M18HB...                         |
| Priporočeni polnilniki  |  | M12-18... / M1418 C6                       |
| <b>Informacije o hrupnosti</b><br>Vrednosti merjenja ugotovljene ustrezno za EN 62841. Raven hrupnosti naprave ovrednotena za A, znaša tipično:<br>Nivo zvočnega tlaka (Nevarnost K=3dB(A))<br>Višina zvočnega tlaka (Nevarnost K=3dB(A)) |  | 92,37 dB(A)<br>103,37 dB(A)                |
| <b>Nosite zaščito za sluh!</b>  |  |  |



Slo



#### Opis naprave

- ① Nastavek za rezanje
- ② Sojemalnik proti povratnemu udarcu
- ③ Rezilo za cepljenje z varovalom / Varovalo noža
- ④ Vzporedno varovalo
- ⑤ Baterije
- ⑥ Indikator ONE KEY
- ⑦ Glavno stikalo / Pokrovček stikala
- ⑧ Po višini nastavljlivo ročno kolo
- ⑨ Aretirna ročica za navpično poševno rezanje
- ⑩ Skala za navpično poševno rezanje
- ⑪ Kolesce za nastavljanje omejitev
- ⑫ Rezalna plošča / Zapah rezalne plošče
- ⑬ Dvižni podaljšek omejitev
- ⑭ Potisni drog
- ⑮ Skala za vzporedno rezanje Indikator
- ⑯ Skala za vzporedno rezanje
- ⑰ Omejitveni zapahi
- ⑱ Omejitvena ključavnica
- ⑲ Rezilni ključ Shranjevanje / Rezilni ključ
- ⑳ Rezilo za cepljenje
- ㉑ Rezilo za cepljenje / Rezilo za cepljenje z varovalom Shranjevanje
- ㉒ Drča za prah
- ㉓ Nastavek za rezanje Shranjevanje
- ㉔ Sojemalnik proti povratnemu udarcu Shranjevanje
- ㉕ Rezilo za cepljenje Ročica za aktiviranje

Slovensko

**⚠ OPOZORILO** Preberite vse varnostne napotke, navodila, prikaze in podatke, ki ste jih prejeli skupaj z napravo. Napake zaradi neupoštevanja spodaj navedenih opozoril in napotil lahko povzročijo električni udar, požar in/ali težke telesne poškodbe. Vsa opozorila in napotila shranite, ker jih boste v prihodnje še potrebovali.

## **⚠ VARNOSTNA NAVODILA ZA MIZNE ŽAGE**

### 1) Varnostna opozorila

- Varovala naj bodo nameščena. Varovala morajo delovati in biti primerno nameščena.** Če je varovalo ohlapno, poškodovano ali ne deluje pravilno, ga je treba popraviti in zamenjati.
- Pri vsaki operaciji popolnega rezanja vedno uporabljajte varovalo za nož žage, rezilo za cepljenje in napravo proti povratnemu udarcu.** Za operacije popolnega rezanja, kjer rezilo žage popolnoma prereže obdelovanec, varovalo in druge varnostne priprave pomagajo zmanjšati tveganje poškodb.
- Po opravljeni operaciji (npr. cepljenju), ki zahteva odstranitev varovala, rezila za cepljenje in/ali naprave proti povratnim udarcem, takoj namestite varovalo nazaj.** Varovalo, rezilo za cepljenje in naprava proti povratnim udarcem pomagajo zmanjšati tveganje poškodb.
- Prepričajte se, da se rezilo žage pred vklopom stikala ne dotika varovala, rezila za cepljenje ali obdelovanca.** Nenameren stik teh delov z rezilom žage lahko povzroči tvegane okoliščine.
- Zagozdo nastavite tako, kot je opisano v navodilu za uporabo.** Zaradi nepravilnih razdalj, položaja in poravnave lahko rezilo za cepljenje izgubi učinkovitost zmanjšanja verjetnosti povratnega udarca.
- Rezilo za cepljenje in naprava proti povratnim udarcem bosta delovala, če bosta vstavljena v obdelovanec.** Rezilo za cepljenje in naprava proti povratnim udarcem ne bosta delovala pri rezanju obdelovanec, ki so prekratki, da bi se zataknili v rezilo za cepljenje in napravo proti povratnim udarcem. Pod temi pogoji rezilo za cepljenje in naprava proti povratnemu udarcu povratnega udarca ne moreta preprečiti.
- Uporabljajte zagozdo, ki se prilega vpetemu žaginemu listu.** Da bo rezilo za cepljenje delovalo pravilno, se mora premer rezila žage ujemati z ustreznim rezilom za cepljenje, telo rezila žage mora biti tanjše od debeline rezila za cepljenje in širina rezanja mora biti širša od debeline rezila za cepljenje.

### 2) Opozorila glede postopkov rezanja

- ⚠ NEVARNO: V bližino ali vzporedno z rezilom žage nikoli ne segajte s prsti ali z rokami.** Trenutek nepozornosti ali zdrs lahko usmerijo vašo roko priti rezilu in povzročijo hude telesne poškodbe.
- Obdelovanec vstavljajte v rezilo žage samo v nasprotni smeri rotacije.** Če boste obdelovanec vstavljali v smeri vrtenja žage nad mizo, se lahko zgodi, da bo obdelovanec skupaj z vašo roko povlečen v rezilo žage.
- Nastavka za rezanje nikoli ne uporabljajte za vstavljanje obdelovanca pri cepljenju in ne uporabljajte vzporednega varovala za zaustavljanje pri križnem rezanju z nastavkom**

za rezanje. Če obdelovanec hkrati usmerjate z vzporednim varovalom in nastavkom za rezanje, to poveča verjetnost, da se bo rezilo žage zataknilo in udarilo nazaj.

- Pri cepljenju vedno pritiskajte obdelovanec med omejitvijo in rezilom žage. Ko je razdalja med rezilom žage in omejitvijo manjša od 150 mm, uporabite potisni drog, če pa je razdalja manjša od 50 mm, uporabite potisni blok.** Naprave za „pomoč pri delu“ bodo poskrbele, da boste imeli roko na varni razdalji od rezila žage.
  - Uporabljajte le priložen potisni drog proizvajalca ali takšnega, ki je konstruiran v skladu z navodili.** Ta potisni drog zagotavlja zadostno razdaljo med roko in rezilom žage.
  - Nikoli ne uporabljajte poškodovanega ali odrezanega potisnega droga.** Poškodovan potisni drog se lahko zlomi, kar lahko povzroči, da vam roka zdrsrne v rezilo žage.
  - Ničesar ne delajte „prostoročno“. Za nameščanje in vodenje obdelovanca vedno uporabljajte ali vzporedno varovalo ali nastavek za rezanje.** „Prostoročno“ pomeni, da z rokami podpirate ali vodite obdelovanec namesto, da bi uporabili vzporedno varovalo ali nastavek za rezanje. Prostoročno zaganje povzroči neporavnane kose, zatikanje in povratni udarec.
  - Nikoli ne segajte okoli ali čez vrteče se rezilo žage.** Seganje za obdelovanec lahko povzroči nenameren stik s premikajočim se rezilom žage.
  - Dolge in/ali široke obdelovance podprite na višino z dodatnim obdelovanecem, tako da podprete zadnje in/ali sprednje strani mizne žage.** Dolg in/ali širok obdelovanec ima tendenco, da se prekucne na rob mize, zaradi česar lahko izgubite nadzor, lahko se zagodzi rezilo žage ali pa pride do povratnega udarca.
  - Obdelovanec vstavljajte z enakomerno hitrostjo. Obdelovanca ne upogibajte in ne sukajte. Če pride do zatikanja, takoj izklopite orodje, odklopite ga in odstranite zagozdo.** Če se obdelovanec zatakne za rezilo žage, lahko pride do povratnega udarca ali zaustavitve motorja.
  - Med obratovanjem žage ne odstranjujte kosov odrezanega materiala.** Material se lahko ujame med omejitve ali notranjost varovala rezila žage in rezilo žage lahko povleče vaše prste proti sebi. Izklopite žago in počakajte, da se rezilo žage zaustavi, nato pa odstranite material.
  - Kadar cepite obdelovance debeline, manjše od 2 mm, uporabite dodatno omejitvev v stiku z zgornjim delom mize.** Tanek obdelovanec se lahko zatakne pod vzporedno varovalo in ustvari povratni udarec.
- ### 3) Vzroki in preprečevanje povratnega udarca:
- Povratni udarec je nenadna reakcija obdelovanca zaradi stisnjenega, zataknenega rezila žage ali neporavnane linije reza v obdelovancu glede na rezilo žage ali ko se del obdelovanca zatakne med rezilo žage in vzporedno varovalo ali drug fiksiran predmet. Med povratnimi udarci se obdelovanec največkrat dvigne od mize pri zadnjem delu rezila žage in odbije nazaj proti uporabniku. Povratni udarec je posledica napačne uporabe žage. Preprečite ga lahko s primernimi previdnostnimi ukrepi, ki so opisani v nadaljevanju besedila.
- Nikoli ne stojte neposredno za rezilom žage. Vedno imejte telo na isti strani rezila žage, kot je omejitvev.** Povratni



udarec lahko odbije obdelovanec z visoko hitrostjo proti komurkoli, ki stoji pred rezilom žage ali v njegovi liniji.

b) **Nikoli ne segajte čez rezilo žage ali za njim, da bi povlekli ali podprli obdelovanec.** Lahko nenamerno pridete v stik z rezilom žage ali pa povratni udarec povleče vaše prste v rezilo žage.

c) **Nikoli ne držite in ne pritiskajte obdelovanca, ki ga režete, proti rezilu žage.** Če obdelovanec, ki ga želite odrezati, pritisnete ob rezilo žage, boste ustvarili pogoje za zagozdenje in povratni udarec.

d) **Poravnajte omejitve vzporedno z rezilom žage.** Nepravilna omejitev bo vkleščila obdelovanec ob rezilo žage in ustvarila povratni udarec.

e) **Za vodenje obdelovanca proti mizi in omejitvi pri nepopolnih rezih, kot je cepljenje, uporabite vzmetno ploščo.** Vzmetna plošča pomaga nadzorovati obdelovanec v primeru povratnega udarca.

f) **Bodite še posebej previdni pri rezanju v slepa območja sestavljenih obdelavancev.** Zevajoče rezilo žage lahko prereže predmete, ki lahko povzročijo povratni udarec.

g) **Podprite velike plošče, da zmanjšate tveganje vkleščanja rezila žage in povratni udarec.** Velike plošče se rade povesijo zaradi lastne teže. Podporo(e) namestite pod vse dele plošče, ki presegajo površino mize.

h) **Bodite še posebej previdni pri rezanju obdelovanca, ki je zvit, zavozlan, ovit ali če nima ravnega roba, po katerem bi ga lahko vodili mimo vzporednega varovala ali omejitve.** Zavit, zavozlan ali zvit obdelovanec je nestabilen in povzroča nepravilnost zaseka z rezilom žage, zagozdenje in povratni udarec.

i) **Nikoli ne režite več kot enega obdelovanca, niti zloženih navpično niti vodoravno.** Rezilo žage lahko zagradi enega ali več kosov in ustvari povratni udarec.

j) **Ob ponovnem zagonu rezila žage, ki je v obdelovancu, poravnajte rezilo žage v zarez, da zobje žage ne bodo zasajeni v material.** Če se rezilo žage zagodzi, lahko dvigne obdelovanec in ob ponovnem zagonu žage ustvari povratni udarec.

k) **Rezila žage naj bodo čista, ostra in pravilno nastavljena. Nikoli ne uporabljajte zvitih rezil žage ali rezil žage z razpokanimi ali polomljenimi zobci.** Ostra in pravilno nastavljena rezila žage zmanjšajo verjetnost zagozdenja, zatakinitve in povratnega udarca.

#### 4) Opozorila glede delovnih postopkov z žago

a) **Izklopite mizno žago in pri odstranjevanju vstavka mize, zamenjavi rezila žage ali nastavljanju rezila za cepljenje, naprave proti povratnemu udarcu ali varovalo noža in kadar naprava ni pod nadzorom, odklopite akumulator.** Previdnostni ukrepi bodo preprečili nesreče.

b) **Nikoli ne pustite delovati mizne žage brez nadzora. Izključite jo in orodja ne zapustite, dokler se popolnoma ne zaustavi.** Delujoča žaga, ki ni pod nadzorom, predstavlja nenadzorovano tveganje.

c) **Namestite mizno žago na dobro osvetljeno in ravno območje, kjer lahko stojite stabilno in uravnoteženo. Nameščena mora biti na področju, ki omogoča dovolj prostora za preprosto ravnanje z velikostjo obdelovanca.** Ozka, temna območja in neravna spolzka tla povečajo nevarnost za nesreče.

d) **Pogosto čistite in odstranjujte lesni prah izpod mizne žage in/ali naprave za zbiranje prahu.** Nabran lesni prah je vnetljiv in se lahko vžge sameđojno.

e) **Mizna žaga mora biti zavarovana.** Mizna žaga, ki ni pravilno zavarovana, se lahko premakne ali prevrne.

f) **Preden vključite mizno žago, z mize odstranite orodja, ostanke lesa itd.** Motnje in potencialna zagozda so lahko nevarni.

g) **Vedno uporabljajte rezila žage pravilne velikosti in oblike lukenj (diamantna ali okrogla).** Rezila žage, ki se ne ujemajo s strojno opremo za nameščanje žage, ne bodo tekla središčno, kar povzroči izgubo nadzora.

h) **Nikoli ne uporabljajte poškodovanih ali napačnih sredstev za pritrditev rezila žage, kot so pribornice, matice rezila žage, vijaki ali matice.** Ta sredstva za pritrditev so bila oblikovana posebej za vašo žago, za varno in optimalno delovanje.

i) **Nikoli ne stojte na mizni žagi, ne uporabljajte jo kot pripomoček za vzpenjanje.** Če se orodje prevrne ali če se nenamerno dotaknete rezalnega orodja, lahko pride do resnih poškodb.

j) **Prepričajte se, da je rezilo žage nameščeno tako, da se vrti v pravilno smer. Na rezilu žage ne uporabljajte brusnih diskov, žičnatih krtač ali abrazivnih diskov.** Nepravilna namestitve rezila žage ali uporaba pripomočkov, ki niso priporočeni, lahko povzročijo resne poškodbe.

#### Nadaljna varnostna in delovna opozorila

Dolbljenje, obsekavanje, ponovno rezanje in čelno oblikovanje je prepovedano.

Nosite zaščito za sluh. Hrup lahko povzroči izgubo sluha.

Uporabite zaščitno opremo. Pri delu s strojem vedno nosite zaščitna očala. Priporočajo se zaščitna oblačila, kot npr. maska za zaščito proti prahu, zaščitne rokavice, trdno in nedrseče obuvalo, čelada in zaščita za sluh.

Prah, ki nastaja pri delu, je pogosto zdravju škodljiv in naj ne zaide v telo. Uporabljajte odsesavanje prahu in dodatno nosite primerno masko za zaščito proti prahu. Prah, ki se usede, temeljito očistite, npr. posesajte.

Zagotovite, da bo stroj zmeraj stal varno (npr. pritrditev na pul). Priporočamo, da pred prvo uporabo naprave skrbno preberete navodilo za uporabo in da se poučite o praktični uporabi.

Ne uporabljajte žaginih listov, ki so poškodovani ali deformirani.

Uporabljajte zgolj primerno ostrene žagine liste.

Uporabljajte le rezila, ki so določena v teh navodilih in so v skladu z EN 847-1.

Da bi orodje sproščalo kar najmanj hrupa, mora biti naostreno. Prav tako morajo biti pravilno nameščeni vsi elementi za zmanjševanje hrupa (pokrovi itd.).

Uporabljajte samo orodje, ki ustreza EN 847-1.

Orodje transportirajte in hranite v primerni pripravi za prenašanje; Izberite rezanemu materialu ustrezen žagin list.

Ravnati se je potrebno glede na največjo dovoljeno število vrtljajev navedeno na žaginem listu.

Ne uporabljajte žaginih listov izdelanih iz hitreznega jekla.

Ne uporabljati brusne plošče

Odstranite ključice. Preden vključite napravo, se vedno prepričajte, ali ste odstranili ključice.





Napake, ki nastopijo na napravi, vključno z varnostno pripravo ali žaginimi listi, je po odkritju potrebno takoj javiti odgovorni osebi za varnost.

Ne segajte na področje nevarnosti tekočega stroja.

Trske ali iveri se pri tekočem stroju ne smejo odstranjevati.

Zgornjega zaščitnega pokrova ni dovoljeno uporabljati kot ročaj za prenašanje!

Zgornji zaščitni pokrov mora med transportom stroja pokrivati zgornji del žaginega lista.

Preverite, ali je vzporedno vodilo vzporedno z žaginim listom.

Tla ohranjajte ostankov materiala npr. odrezkov in ostankov žaganja prosta.

Kljub upoštevanju vseh veljavnih predpisov o gradnji lahko pri delu s strojem nastopijo preostale nevarnosti, npr. zaradi: odletelih delov orodja, odletelih delov poškodovanega orodja, emisije hrupa, emisije lesnega prahu.

Pred vsemi deli na stroji odstranite izmenljivi akumulator.

**OPOZORILO!** V izogib, s kratkim stikom povzročene nevarnosti požara, poškodb ali okvar na proizvodu, orodja, izmenljivega akumulatorja ali polnilne naprave ne potaplajte v tekočine in poskrbite, da ne bo prihajalo do vdora tekočin v naprave in akumulatorje. Korozivne ali prevodne tekočine, kot so slana voda, določene kemikalije in belila ali proizvodi, ki le ta vsebujejo, lahko povzročijo kratek stik.

Izmenljive akumulatorje sistema M18 polnite samo s polnilnimi aparati sistema M18. Ne polnite nobenih akumulatorjev iz drugih sistemov.

Izmenljivih akumulatorjev in polnilnih aparatov ne odpirajte in jih hranite samo v suhih prostorih. Zaščitite jih pred mokroto.

## OPOZORILO



Ta naprava ima gumbasto/litijevo baterijo. Nova ali rabljena baterija lahko povzroči hude notranje opekline in povzroči smrt v samo 2 urah, če se pogotne ali pride v telo na kakšen drug način. Vedno zavarujte pokrov na predelu za baterije. Če se predel ne zapira varno, zaustavite napravo, odstranite baterijo in jo hranite zunaj dosega otrok. Če menite, da je nekdo pogotnil baterijo ali je prišla v telo na kakšen drug način, takoj poiščite zdravniško pomoč.

## UPORABA V SKLADU Z NAMEMBOSTJO

Uporabljajte Vašo namizno cirkularno samo za žaganje lesa in lesnih proizvodov.

Namizno cirkularno nikdar ne uporabljajte za rezanje drugih kot v navodilih za uporabo navedenih materialov.

Obdelovalci z okroglimi ali neenakomernim prerezom (npr. drva) ni dovoljeno žagati, saj jih med žaganjem ni mogoče varno držati. Pri pokončnem žaganju ploskih obdelovancev je potrebno za varno vodenje uporabiti primeren pomožni naslon.

Vzporedno rezanje, križno rezanje, vodoravno poševno rezanje (mitre) in navpično poševno rezanje (bevel) z maksimalno enim rezilom žage.

## PREOSTALE NEVARNOSTI

Celo pri pravilni uporabi proizvoda preostalih nevarnosti ni mogoče popolnoma izključiti. Pri uporabi lahko nastopijo sledeča tveganja, zaradi česar mora upravljalca upoštevati naslednje:

- V izogib okvari sluha je potrebno omejiti čas izpostavljenosti in nositi primerno zaščitno sluha.

- Upravljalca naj izvaja ukrepe za zmanjševanje učinka vibracij in omejitev časa izpostavljenosti.

- V izogib zdravstvenih tveganj, do katerih lahko pride vsled vdihovanja prahu pri žaganju, je potrebno nositi zaščitno masko za dihanje.

## VZDRŽEVANJE

Pred nastavitvami, čiščenjem in vzdrževanjem na napravi odstranite nadomestni akumulator.

Pred nameščanjem ali odstranjevanjem rezila žage se prepričajte, da ste orodje odklopili z napajanja.

Redno odstranite prah. Odstranite v notranjosti žage nakopičeno žagovino, kako bi preprečili rizik vnetja

Obrahljen mizni vložek nadomestiti.

Napravo in zaščitno pripravo čistite s suho krpo.

Pazite na to, da so prežračevalne reže stroja vedno čiste.

Uporabljajte samo Milwaukee pribor in Milwaukee nadomestne dele. Poskrbite, da sestavne dele, katerih zamenjavo ni opisana, zamenjajo v Milwaukee servisni službi (upoštevajte brošuro Garancija aslovi servisnih služb).

Po potrebi se lahko pri vaši servisni službi ali direktno pri Techtronic Industries GmbH naroči eksplozijska risba naprave ob navedbi tipa stroja in številke s tipske ploščice Techtronic Industries GmbH, Max-Eyth-Straße 10, 71364 Winnenden, Germany.

## ONE-KEY™

Če želite izvedeti več o delovanju z ENIM KLJUČEM te naprave, si oglejte navodila za hiter zagon, ki vsebujejo ta izdelek ali obiščite spletno stran <http://www.milwaukeetool.com/one-key>

Aplikacijo ONE-KEY si lahko snamete na pametni telefon v trgovini App Store ali Google Play.

Preizkusni izid izpolnjuje naše minimalne zahteve po EN 301 489-1 / EN 301 489-17. A zákaznikovi dame prevádzkové pokyny v užívateľskej príručke.

## AKUMULATORJI

Izmenljive akumulatorje, ki jih daljši čas niste uporabljali, pred uporabo naknadno napolnite.

Temperatura nad 50°C zmanjšuje zmogljivost izmenljivega akumulatorja. Izogibajte se daljšemu segrevanju zaradi sončnih žarkov ali gretja.

Pazite, da ostanje priključni kontakti na polnilnem aparatu in izmenljivem akumulatorju čisti.

za optimalno življenjsko dobo je potrebno akumulatorje po uporabi do konca napolniti. Izmenljive akumulatorje, ki jih daljši čas niste uporabljali, pred uporabo naknadno napolnite.

Za čim daljšo življenjsko dobo naj se akumulatorji po napolnitvi vzamejo ven iz naprave za polnjenje.

Pri skladiščenju akumulatorjev dalj kot 30 dni: Akumulator skladiščiti pri 27°C in na suhem. Akumulator skladiščiti pri 30%-50% stanja polnjenja. Akumulator spet napolniti vsakih 6 mesecev.

Izrabljenih izmenljivih akumulatorjev ne mečite v ogenj ali v gospodinjске odpadke. Milwaukee nudi okolju prijazno odlaganje starih izmenljivih akumulatorjev; prosimo povprašajte vašega strokovnega trgovca.



Slo

Izmenljivih akumulatorjev ne hranite skupaj s kovinskimi predmeti (nevarnost kratkega stika).

Pod ekstremno obremenitvijo ali ob ekstremni temperaturi iz poškodovanega izmenljivega akumulatorja lahko izteka akumulatorska tekočina. Po stiku z akumulatorsko tekočino prizadeto mesto takoj izperite z vodo in milom. Po stiku z očmi takoj najmanj 10 minut dolgo temeljito izpirajte in nemudoma obiščite zdravnika.

V odprtino za nameščanje izmenljivih akumulatorjev na polnilnih aparatih ne smejo zaiti nikakršni kovinski deli (nevarnost kratkega stika).

#### ZAŠČITA PREOBREMENITVE AKUMULATORJA

Pri preobremenitvi akumulatorja s previsoko porabo toka, npr. ekstremno visoki vrtilni momenti, zatik uporabljenega orodja, nenadna zaustavitev ali kratek stik, se električno orodje za 2 sekundi ustavi in samodejno izklopi. Za ponoven vklop izpustite pritisno stikalo in nato znova vklopite. Pod ekstremnimi obremenitvami se lahko akumulator močno segreje. V tem primeru se akumulator izklopi. Za ponovno polnitev in aktiviranje akumulatorja ga je potrebno vstaviti v polnilec.

#### TRANSPORT LITIJ-IONSКИH AKUMULATORJEV

Litij-ionski akumulatorji so podvrženi zakonskim določbam transporta nevarnih snovi.

Transport teh akumulatorjev se mora izvajati upoštevajoč lokalne, nacionalne in mednarodne predpise in določbe.

Potrošniki lahko te akumulatorje še nadalje transportirajo po cesti. Komercialni transport litij-ionskih akumulatorjev s strani špediterskih podjetij je podvržen določbam transporta nevarnih snovi. Priprava odpreme in transporta se lahko vrši izključno s strani ustrezno izšolanih oseb. Celoten proces je potrebno strokovno spremljati.

Pri transportu akumulatorjev je potrebno upoštevati sledeče točke:

V izogib kratkim stikom zagotovite, da bodo kontakti zaščiteni in izolirani. Bodite pozorni na to, da paket akumulatorja v notranjosti embalaže ne bo mogel zdrsniti. Poškodovanih ali iztekajočih akumulatorjev ni dovoljeno transportirati. Za nadaljnja navodila se obrnite na vaše špeditersko podjetje.

#### CE-IZJAVA O KONFORMNOSTI

S polno odgovornostjo izjavljamo, da izdelek, opisan pod „Tehnični podatki“ izpolnjuje vse ustrezne določbe direktiv

2011/65/EU (RoHS)

2006/42/ES

2014/53/EU

ter da so bili uporabljeni naslednji harmonizirani standardi

EN 62841-1:2015

EN 62841-3-1:2014+AC:2015+A11:2017

EN 62479:2010

EN 55014-1:2017+A11:2020

EN 55014-2:2015

EN IEC 63000:2018

EN 301 489-1 V2.2.3

EN 301 489-17 V3.1.1

EN 300 328 V2.2.2



Winnenden, 2020-11-11

Alexander Krug / Managing Director

Pooblaščen za izdelavo spisov tehnične dokumentacije.

Techtronic Industries GmbH

Max-Eyth-Straße 10, 71364 Winnenden, Germany



## SIMBOLI



Prosimo, da pred uporabo pozorno preberete to navodilo za uporabo.



**POZOR! OPOZORILO! NEVARNO!**



Pred vsemi deli na stroji odstranite izmenljivi akumulator.



Nosite zaščito za sluh!

Nosite ustrezno masko proti prahu.



Pri delu s strojem vedno nosite zaščitna očala.



Nositi zaščitne rokavice



Nikdar ne dajajte rok v območje žaginega lista.



Naprava je primerna samo za uporabo v prostorih, naprave ne izpostavljajte dežju.



Oprema – ni vsebovana v obsegu dobave, priporočeno dopolnilo iz programa opreme.



Vzmetno ploščo in potisne bloke je mogoče kupiti pri specializiranih trgovcih. Prosimo, uporabite le kakovosten pribor.



Električnih naprav, baterij/akumulatorjev ni dovoljeno odstranjevati skupaj z gospodinjstskimi odpadki. Električne naprave in akumulatorje je potrebno zbirati ločeno in za okolju prijazno odstranitev, oddati podjetju za reciklažo. Pri krajevnem uradu ali vašem strokovnem prodajalcu se pozanimajte glede reciklažnih dvorišč in zbirnih mest.

**n<sub>0</sub>**

Število vrtljajev v prostem teku

**V**

Napetost



Enosmerni tok



Evropska oznaka za združljivost



Britanska oznaka za združljivost



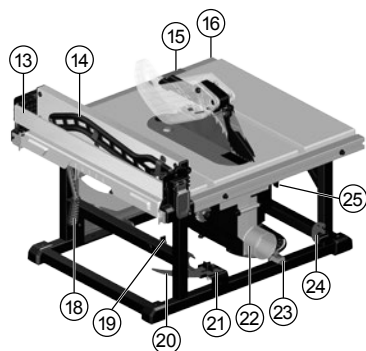
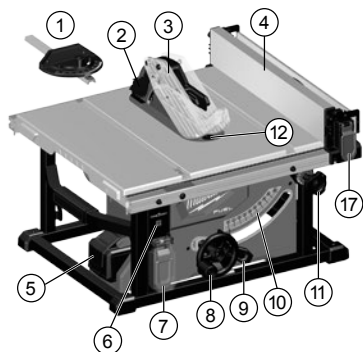
Ukrajinska oznaka za združljivost



Evrazijska oznaka za združljivost



| TEHNIČKI PODACI   |                                    | M18 FTS210                |
|---|------------------------------------|---------------------------|
| <b>Nepomična kružna pila</b>  |                                    |                           |
| Broj proizvodnje  | 4609 60 02...<br>... 000001-999999 |                           |
| Napon baterije za zamjenu   | 18 V                               |                           |
| Broj okretaja praznog hoda  | 6300 min <sup>-1</sup>             |                           |
| Frekvencijski pojas   | 2402-2480 MHz                      |                           |
| Radiofrekvencijska snaga  | 1,8 dBm                            |                           |
| List pile- $\emptyset$ x Bušenje- $\emptyset$   | 210 x 30 mm                        |                           |
| Debljina okvira lista pile  | max. 1,55 mm                       |                           |
| Debljina zubaca   | min. 1,8 mm<br>max. 2,2 mm         |                           |
| Max. dubina reza kod 0 / 45°  | 63,5 / 44 mm                       |                           |
| Razmak između paralelnog graničnika i lista max.  | Lijevo<br>Desno                    | 310 mm<br>525 mm / 622 mm |
| Težina po EPTA-proceduri 01/2014 (Li-Ion 2,0 Ah ... 12,0 Ah)                                      | 21,2 kg ... 22,3 kg                |                           |
| Preporučena temperatura okoline za pogon  | -18°C ... +50°C                    |                           |
| Preporučeni akumulatorski paket   | M18B... / M18HB...                 |                           |
| Preporučeni punjači   | M12-18... / M1418 C6               |                           |
| <b>Informacije o buci</b>   |                                    |                           |
| Mjerne vrijednosti utvrđene odgovarajuće EN 62841. A-ocijenjeni nivo buke aparata iznosi tipično: |                                    |                           |
| Nivo pritiska zvuka (Nesigurnost K=3dB(A))  |                                    | 92,37 dB(A)               |
| Nivo učinka zvuka (Nesigurnost K=3dB(A))  |                                    | 103,37 dB(A)              |
| <b>Nositi zaštitu sluha!</b>  |                                    |                           |



#### Opis proizvoda

- ① Kutni graničnik
- ② Zaštita od povratnog udara
- ③ Rascjepni klin sa zaštitom / Zaštita lista
- ④ Paralelni graničnik
- ⑤ Akumulator
- ⑥ Indikator s JEDNOM TIPKOM
- ⑦ Prekidač / Zaštitni pokrov
- ⑧ Ručni kotačić za namještanje visine
- ⑨ Poluga za zatezanje nagiba
- ⑩ Skala nagibnog kuta
- ⑪ Kotačić za namještanje paralelnog graničnika
- ⑫ Ubodna pločica / Zapor ubodne pločice
- ⑬ Produžetak preklopnog paralelnog graničnika
- ⑭ Šipka za guranje
- ⑮ Skala paralelnog graničnika indikator
- ⑯ Skala paralelnog graničnika
- ⑰ Zapori paralelnog graničnika
- ⑱ Blokada paralelnog graničnika
- ⑲ Ključ za list skladištenje / Ključ za list
- ⑳ Rascjepni klin
- ㉑ Rascjepni klin / Rascjepni klin sa zaštitom skladištenje
- ㉒ Lijevak za prašinu
- ㉓ Kutni graničnik skladištenje
- ㉔ Zaštita od povratnog udara skladištenje
- ㉕ Rascjepni klin Poluga za otpuštanje

**⚠** **UPOZORENIE** Pročitajte sve sigurnosne upute, napomene, prikaze i podatke koje dobijete uz uređaj. Ako se ne bi poštivale napomene o sigurnosti i upute to bi moglo uzrokovati strujni udar, požar i/ili teške ozljede. Sačuvajte sve napomene o sigurnosti i upute za buduću primjenu.

## **⚠** SIGURNOSNE UPUTE ZA STOLNE KRUŽNE PILE

### 1) Upozorenja za zaštitu

- Ostavite svu zaštitu montiranu. Zaštita mora biti funkcionalna i ispravno montirana.** Labavu, oštećenu ili nefunkcionalnu zaštitu popravite ili zamijenite.
- Prilikom svakog rezanja uvijek koristite zaštitu za list, rascjepni klin i uređaj za sprečavanje povratnog udara.** Tijekom rezanja za vrijeme kojeg listovi režu kroz cijelu debljinu obratka, zaštita i drugi sigurnosni uređaji smanjuju rizik od ozljeda.
- Nakon završetka radnih postupaka (npr., izrade žljebova) za koje je potrebno odstranjivanje zaštitnih pokrova, rascjepnog klina i/ili uređaja za sprečavanje povratnog udara, odmah ponovno postavite zaštitni sustav.** Zaštita, rascjepni klin i uređaj za sprečavanje povratnog udara pomažu u smanjenju rizika od ozljeda.
- Prije uključivanja pile pazite na to da list ne dodiruje zaštitu, rascjepni klin ili obradak.** Slučajan dodir tih komponenti s listom može prouzročiti opasno stanje.
- Podesite klin raspora kako je opisano u uputama za uporabu.** Pogrešan razmak, postavljanje i usmjerenost mogu biti razlog zbog kojeg rascjepni klin ne može uspješno spriječiti povratni udar.
- Kako bi rascjepni klin i uređaj za sprečavanje povratnog udara mogli raditi, oni moraju moći zahvatiti obradak.** Prilikom rezanja obratka koji su prekratki za korištenje rascjepnog klina i uređaja za sprečavanje povratnog udara, rascjepni klin i uređaj za sprečavanje povratnog udara ne mogu zahvatiti obradak. U tim okolnostima povratni se udar ne može spriječiti rascjepnim klinom ili uređajem za zaštitu povratnog udara.
- Za korištenje list pile upotrijebite odgovarajući klin raspora.** Kako bi rascjepni klin ispravno funkcionirao, promjer lista mora odgovarati prikladnom rascjepnom klinu, okvir lista mora biti tanji od rascjepnog klina i zubac mora biti širi od debljine rascjepnog klina.

### 2) Sigurnosne napomene za rezanje

- ⚠ OPASNOST Prste i ruke držite dalje od lista.** Trenutak nepažnje ili klizanje može vašu ruku usmjeriti prema listu i prouzročiti ozbiljne ozljede.
- Obradak vodite samo u smjeru suprotnom od smjera okretanja lista.** Vođenje obratka u istom smjeru kao što je smjer okretanja lista iznad stola može prouzročiti to da list povuče obradak i vašu ruku.
- Za uzdužne rezove nikad ne koristite kutni graničnik za vođenje obratka, a za poprečne rezove s kutnim graničnikom nikad ne koristite dodatni paralelni graničnik za namještanje duljine.** Istovremeno vođenje obratka s paralelnim i kutnim graničnikom povećava mogućnost zaglavljivanja lista i povratnog udara.

d) **U slučaju poprečnih presjeka uvijek koristite dovolnu snagu na obradak između vodilice graničnika i lista. Koristite šipku za guranje ako je razmak između vodilice graničnika i lista manji od 150 mm ili blok za guranje ako je razmak manji od 50 mm.** Slična pomagala za rad omogućuju da vam ruka bude na sigurnoj udaljenosti od lista.

- Koristite samo šipku za guranje koju je isporučio proizvođač ili koja je konstruirana samo u skladu s uputama.** Šipka za guranje osigurava dovoljni razmak ruke od lista.
- Nikad ne koristite oštećenu šipku za guranje koja je izrezana.** Oštećena šipka za guranje može puknuti i prouzročiti klizanje vaše ruke prema listu.
- Nikad ne provodite aktivnosti „slobodnom rukom“.** Koristite ili paralelni ili kutni graničnik za postavljanje i vođenje obratka. „Slobodna ruka“ podrazumijeva korištenje ruku umjesto paralelnog ili kutnog graničnika. Pijenje slobodnom rukom vodi do pogrešnog poravnavanja, zaglavljivanja i povratnog udara.
- Nikad ne dodirujte područje iznad ili oko lista koji se okreće.** Posezanje za obratkom može dovesti do slučajnog dodira pokretnog lista.
- Osigurajte pomoćnu potporu dugačkim i/ili širokim obradcima iza i/ili bočno od stola kružne pile tako da obratci ostanu vodoravni.** Dugački i/ili široki obratci skloni su naginjanju preko ruba stola kružne pile; to uzrokuje gubitak kontrole, zaglavljivanje lista i povratni udar.
- Ravnomjerno vodite obradak. Ne savijajte ga i ne okrećite ga.** Ako list zaglavi, odmah isključite uređaj, izvucite mrežni kabel i uklonite zastoj. Ako list zaglavi zbog obratka, mogući su povratni udar ili blokada motora.
- Ne uklanjajte otpiljeni materijal dok pila radi.** Materijal se može zaglaviti između graničnika ili u zaštitu lista i prilikom izvlačenja može povući prste u list. Isključite pilu i pričekajte da se list zaustavi prije nego što uklonite materijal.
- Koristite pomoćne graničnike koji dodiruju površinu stola pri izradi žljebova na obradcima tanjima od 2 mm.** Tanki obradak može se iskriviti ispod paralelnog graničnika i prouzročiti povratni udar.

### 3) Uzroci i izbjegavanje povratnog udara:

Povratni udar je nagla reakcija obratka zbog prignječnog ili zagavljenog lista ili nastaje zbog pogrešno postavljene crte reza na obratku ili ako se dio obratka zaglavi između lista i paralelnog graničnika ili drugog pričvršćenog objekta.

U većini slučajeva tijekom povratnog udara stražnji dio lista podiže obradak sa stola kružne pile i odbacuje ga u pravcu rukovatelja. Povratni udar je posljedica pogrešne ili neispravne uporabe pile. On se može spriječiti prikladnim mjerama opreza, koje su opisane u daljnjem tekstu.

- Nikada nemojte stajati u izravnoj ravni s listom. Uvijek postavite svoje tijelo na istoj strani lista na kojoj se nalazi graničnik.** U slučaju povratnog udara obradak se može velikom brzinom odbaciti na ljude koji se nalaze ispred lista ili u ravni s njim.
- Nikad ne posežite iznad ili iza lista kako biste povukli ili poduprli obradak.** Moguće je slučajni dodir s pilom ili povratni udar koji može prouzročiti da list povuče vaše prste.



c) **Ne držite i ne pritišćite izrezani obradak o rotirajući list.** Pritisakanje obratka koji se reže o list prouzročit će zaglavljivanje i povratni udar.

d) **Graničnik poravnajte paralelno s listom.** Pogrešno poravnati graničnik pritisnut će obradak o list i prouzročiti povratni udar.

e) **U slučaju zarezivanja, poput izrade žljebova, koristite pomagalo za stabilizaciju putanje kako biste obradak vodili prema stolu i graničniku.**

Pomagalo za stabilizaciju putanje pomaže kontrolirati obradak u slučaju povratnog udara.

f) **Budite posebno oprezni ako radite rez na nepreglednim dijelovima sastavljenih obradaka.** Ispupčeni list može rezati objekte koji mogu prouzročiti povratni udar.

g) **Poduprite velike ploče kako biste smanjili rizik od prignječnja lista i povratnog udara.** Veće ploče sklone su savijanju pod vlastitom težinom. Poptoranji/potpornje treba staviti ispod svih dijelova koji strše preko površine stola.

h) **Budite posebno oprezni prilikom rezanja obratka koji je okrenut, zamršen, izvitoperen i koji nema ravni rub za vođenje pomoću paralelnog ili kutnog graničnika.** Okrenut, zamršen ili izvitoperen obradak je nestabilan i prouzrokuje pogrešno poravnavanje zasjeka pomoću lista, zaglavljivanje ili povratni udar.

i) **Nikad nemojte rezati više od jednog obratka, koji su okomito ili vodoravno složeni na hrpi.** List može zahvatiti jedan ili više dijelova i prouzročiti povratni udar.

j) **U slučaju ponovnog pokretanja pile čiji se list nalazi u obratku, centrirajte list u zasjek tako da zupci pile ne zahvate obradak.** Zaglavljeni list može podignuti obradak i prouzročiti povratni udar ako se pila ponovno pokrene.

k) **Listovi moraju biti čisti, oštri i dovoljno ukošeni. Nikad ne koristite izvitoperene listove ili listove s napuknutim ili puknutim zupcima.** Oštri i ispravno ukošeni listovi smanjuju zaglavljivanje, blokiranje i povratni udar.

#### 4) Sigurnosna upozorenja za rukovanje stolnim kružnim pilama

a) **Isključite stolnu kružnu pilu i odspojite ju od akumulatorskog paketa prije uklanjanja stolnog umetka, zamjene lista i namještanja rascjepnog klina, uređaja za sprečavanje povratnog udara ili zaštitu za list te kada ostavljate stroj bez nadzora.** Mjerama predostrožnosti sprečavaju se nesreće.

b) **Stolnu kružnu pilu nikad ne ostavljajte bez nadzora dok radi. Isključite je i ne ostavljajte alat dok se konačno ne zaustavi.** Pila koja radi bez nadzora predstavlja nekontroliranu opasnost.

c) **Postavite stolnu kružnu pilu na ravno mjesto koje je dobro osvijetljeno i na kojem sigurno stojite i možete održavati ravnotežu. Mjesto postavljanja mora imati dovoljno prostora za jednostavno rukovanje veličinom vašeg obratka.** Zacršena, tamna područja i neravni klizavi podovi mogu prouzročiti nesreće.

d) **Redovito čistite i uklanjajte piljevinu ispod stolne kružne pile i/ili uređaja za usis prašine.** Nakupljena piljevina je zapaljiva i može se sama zapaliti.

e) **Osigurajte stolnu kružnu pilu.** Stolna kružna pila koja nije dobro osigurana može se pomaknuti ili prevrnuti.

f) **Uklonite alate, ostatke drveta itd. sa stola prije nego što uključite stolnu kružnu pilu.** Skretanje pozornosti ili moguća zastoj mogu biti opasni.

g) **Uvijek koristite listove ispravne veličine i oblika (dijamante u usporedbi s okruglim) s odgovarajućim prihvatnim povrćtima.** Listovi pile koji ne odgovaraju montažnim dijelovima pile okretat će se necentrično i mogu dovesti do gubitka kontrole nad pilom.

h) **Nikad ne koristite oštećeni ili neispravni pribor za montažu listova poput prirubnica, pločica listova, vijaka i matica.** Ovaj pribor za montažu posebno je konstruiran za vašu pilu, siguran rad i optimalna radna svojstva.

i) **Nikad se nemojte penjati na stolnu kružnu pilu, ne koristite je kao pomagalo za penjanje.** Moguće su ozbiljne ozljede ako se uređaj prevrne ili ako slučajno dodirnete rezni alat.

j) **Pazite na to da je list instaliran kako bi se okretao u ispravnom smjeru. Na stolnoj kružnoj pili ne koristite brusne ploče, žičane četke ili abrazivne ploče.** Nestručna montaža lista ili uporaba dodatnog pribora koji nije preporučen mogu prouzročiti ozbiljne ozljede.

#### Ostale sigurnosne i radne upute

Zabranjeni su izrada utora, užljebljivanje, ponovno piljenje kao ni glodanje profila.

Nosite zaštitu za sluh. Djelovanje buke može uzrokovati gubitak sluha. Upotrebljavati zaštitnu opremu. Kod radova sa strojem uvijek nositi zaštitne naočale. Preporučuje se zaštitna odjeća, kao zaštitna maska protiv prašine, zaštitne rukavice, čvrste i protiv klizanja sigurne cipele, šljem i zaštitu sluha.

Prašina koja nastaje kod rada je često štetna po zdravlje i ne bi smjela dospjeti u tijelo. Primijeniti usisavanje prašine i dodatno nositi prikladnu zaštitnu masku protiv prašine. Sleglu prašinu temeljito odstraniti, npr. usisati.

Utvrđiti da stroj uvijek ima sigurnu poziciju stajanja.

Preporučuje se, prije prvotne upotrebe aparata uputu o upotrebi brižljivo pročitati i dati se uvesti u praktično rukovanje.

Listove pile koji su oštećeni ili deformirani ne koristiti. Upotrebljavati samo pravilno naoštrene listove za pile.

Koristite samo oštrice za obradu drveta navedene u ovim uputama koje ispunjavaju normu EN 847-1.

Da bi se minimirao razvoj buke, alat mora biti naoštren, a svi elementi za smanjenje buke (pokrivni elementi itd.) moraju biti propisno namješteni.

Dopuštena je uporaba samo onih alata koji udovoljavaju normu EN 847-1.

Alati se moraju transportirati i čuvati u prikladnoj posudi; Izabrati list za pilu koji je prikladan za materijal koji se reže.

Pridržavati se najvećeg broja okretaja koji je naveden na listu pile.

Ne upotrebljavati listove pile izrađene od brzoreznog čelika

Ne upotrebljavati brusne ploče!

Uklonite ključeve za zatezanje. Prije nego uključite napravu, uvijek provjeravajte dali su ključevi za zatezanje uklonjeni.

Greške u stroju, uključno zaštitnu napravu ili listove pile, se moraju prijaviti osobi nadležnoj za sigurnost, ukoliko se ove otkriju.

Ne sezati u područje opasnosti radećeg stroja.

Piljevina ili iverje se za vrijeme rada stroja ne smiju odstranjivati.



Gornji zaštitni poklopac ne smije se upotrebljavati kao ručka za transportiranje!

Za vrijeme transporta stroja gornji zaštitni poklopac mora prekrivati gornji dio lista pile.

Provjerite dali je vodilo za paralelni rez postavljeno paralelno pilom.

Tlo osloboditi od ostataka materijala, kao piljevine i ostataka od piljenja

Iako su preuzete sve sigurnosne mjere, pri eksploataciji naprave je moguće, da nastanu sljedeće opasnosti: da obrađivani predmet odskoči, ukoliko je alat oštećen je moguće da odskoči, emisije buke, emisije drvenog praha.

Prije svih radova na stroju izvaditi bateriju za zamjenu.

**UPOZORENIE!** Zbog izbjegavanja opasnosti od požara jednim kratkim spojem, opasnosti od ozljeda ili oštećenja proizvoda, alat, izmjenjivi akumulator ili napravu za punjenje ne uronjavati u tekućine i pobrinite se za to, da u uređaje ili akumulator ne prodiru nikakve tekućine. Korozirajuće ili vodljive tekućine kao slana voda, određene kemikalije i sredstva za bijeljenje ili proozvodi koji sadrže sredstva bijeljenja, mogu prouzročiti kratak spoj.

Baterije sistema M18 puniti samo sa uređajem za punjenje sistema M18. Ne puniti baterije iz drugih sistema.

Baterije za zamjenu i uređaje za punjenje ne otvarati i čuvati ih samo u suhim prostorijama. Čuvati protiv vlage.

#### UPOZORENIE



Uređaj sadrži gumbaste litijeve baterije. Nova ili korištena baterija mogu prouzročiti teške unutarnje opekotine i smrt u samo dva sata ako se progutaju ili uđu u tijelo. Uvijek pazite na to da je baterijski pretinac prekriven. Ako nije dobro zatvoren, zaustavite uređaj i uklonite bateriju te ju držite izvan dohvata djece. Ako mislite da je netko progutao bateriju ili da je ona na drugi način ušla u tijelo, zatražite liječnički savjet.

#### PROPIISNA UPOTREBA

Cirkular koristite samo za rezanje drva ili drvenih produkta.

Nikako ne upotrebljavajte cirkulara za rezanje drugih materijala, osim onih koji su navedeni u uputama za rukovanje.

Izratke sa okruglim i nepravilnim presjekom (npr. drva za loženje) se ne smiju piliti, jer se oni prilikom piljenja ne mogu držati. Kod osvojenih piljenja plosnatih izradaka se mora primijeniti prikladan pomoćni graničnik za sigurno vođenje.

Uzdugo rezanje, poprečno rezanje, kutno rezanje i nagibni rezovi uz uporabu maks. jednog montiranog lista.

#### PREOSTALE OPASNOSTI

Isto i kod propisne uporabe proizvoda se preostale opasnosti ne mogu potpuno isključiti. Kod uporabe mogu nastupiti sljedeći rizici, tako da poslušioc treba sljedeće uzeti u obzir:

- Zbog izbjegavanja oštećenja sluha se mora ograničiti vrijeme ekspozicije i nositi prikladna zaštita sluha.
- Operater mora donijeti mjere, kako bi djelovanja vibracija smanjio i ograničio vrijeme ekspozicije.
- Nositi se mora maska za zaštitu disanja kako bi se izbjegli zdravstveni rizici koji mogu nastati udisanjem prašine piljenja.

#### ODRŽAVANJE

Prije početka postavljanja, čišćenja ili održavanja uređaja izvadite baterije.

Prije priključivanja ili uklanjanja lista pile osigurajte da je alat iskopčan iz izvora za napajanje.

Prah redovno čistite. Piljevine, koje se nalijepe na unutarnju stranu cirkulara čistite redovno, kako bi izbjegli opasnosti požara.

Istrošeni uložak stola promijeniti

Aparat i zaštitni uređaj čistite jednom suhom krpom.

Proreze za prozračivanje stroja uvijek držati čistima.

Primijeniti samo Milwaukee opremu i Milwaukee rezervne dijelove. Sastavne dijelove, čija zamjena nije opisana, dati zamijeniti kod jedne od Milwaukee servisnih službi (poštivati brošuru Garancija/Adrese servisa).

Po potrebi se može zatražiti crtež eksplozije aparata uz davanje podataka o tipu stroja i desetoznamenkastog broja na pločici snage kod Vaše servisne službe ili direktno kod Techtronic Industries GmbH, Max-Eyth-Straße 10, 71364 Winnenden, Germany.

#### ONE-KEY™

Kako biste saznali više o ONE-KEY funkcionalnosti ovog uređaja, pogledajte vodič za brzo pokretanje ili idite na mrežnu stranicu <http://www.milwaukeetool.com/one-key>

Aplikaciju ONE-KEY možete preuzeti na vaš pametni telefon preko App Store ili Google Play.

Rezultat ispitivanja ispunjava naše najmanje zahtjeve po EN 301 489-1 / EN 301 489-17. I dostavit ćemo smjernice za uporabu kupcu u uputstvu za uporabu.

#### BATERIJE

Baterije koje duže vremena nisu korištene, prije upotrebe napuniti. Temperatura od preko 50°C smanjuje učinak baterija. Duže zagrijavanje od strane sunca ili grijanja izbjeći.

Priključne kontakte na uređaju za punjenje i baterijama držati čistima.

Za optimalni vijek trajanja se akumulatori poslije upotrebe moraju sasvim napuniti. Baterije koje duže vremena nisu korištene, prije upotrebe napuniti.

Za što moguće duži vijek trajanja, akumulatori se nakon punjenja moraju odstraniti iz punjača.

Kod skladištenja akumulatora duže od 30 dana: Akumulator skladištiti na suhom kod ca. 27°C. Akumulator skladištiti kod ca. 30%-50% stanja punjenja. Akumulator ponovno napuniti svakih 6 mjeseci.

Istrošene baterije za zamjenu ne bacati u vatru ili u kućno smeće. Milwaukee nudi mogućnost uklanjanja starih baterija odgovarajuće okolini. Milwaukee nudi mogućnost uklanjanja starih baterija odgovarajuće okolini; upitajte molimo Vašeg stručnog trgovca.

Baterije za zamjenu ne čuvati skupa sa metalnim predmetima (opasnost od kratkog spoja).

Pod ekstremnim opterećenjem ili ekstremne temperature može iz oštećenih baterija iscuriti baterijska tekućina. Kod dodira sa baterijskom tekućinom odmah isprati sa vodom i sapunom. Kod kontakta sa očima odmah najmanje 10 minuta temeljno ispirati i odmah potražiti liječnika.

U prostor za punjenje baterija u uređaju za punjenje ne smiju dospijeti metalni dijelovi (opasnost od kratkog spoja).



Hrv

## ZAŠTITA OD PREOPTEREĆENJA AKUMULATORA

Kod preopterećenja akumulatora prevelikom potrošnjom struje, npr. ekstremno visoki zakretni momenti, uklještenje radnog alata, naglo zaustavljanje ili kratak spoj, električni alat se zaustavlja 2 sekunde i isključuje se samostalno. Za ponovno uključivanje ispustiti okidač sklopke i zatim ponovno uključiti. Pod ekstremnim opterećenjima se akumulator može jako zagrijati. U ovom slučaju se akumulator isključuje. Akumulator zatim utaknuti u punjač kako bi se ovaj ponovno napunio i zatim aktivirao.

## TRANSPORT LITIJSKIH IONSKIH BATERIJA

Litijske-ionske baterije spadaju pod zakonske odredbe u svezi transporta opasne robe.

Prijevoz ovih baterija mora uslijediti uz poštivanje lokalnih, nacionalnih i internacionalnih propisa i odredaba.

Korisnici mogu bez ustručavanja ove baterije transportirati po cestama.

Komercijalni transport litijsko-ionskih baterija od strane transportnih poduzeća spada pod odredbe o transportu opasne robe. Otpremničke priprave i transport smiju izvoditi isključivo odgovarajuće školovane osobe. Kompletni proces se mora pratiti na stručan način.

Kod transporta baterija se moraju poštivati slijedeće točke:

Uvjerite se da su kontakti zaštićeni i izolirani kako bi se izbjegli kratki spojevi. Pazite na to, da blok baterija unutar pakiranja ne može proklizavati. Oštećene ili iscurjele baterije se ne smiju transportirati. U svezi ostalih uputa obratite se vašem prijevoznom poduzeću.

## CE-IZJAVA KONFORMNOSTI

Izjavljujemo pod vlastitom odgovornošću da proizvod opisan u odjeljku „Tehnički podaci“ ispunjava sve potrebne odredbe smjernica

2011/65/EU (RoHS)

2006/42/EC

2014/53/EU

i da su korišteni sljedeći usklađeni standardi

EN 62841-1:2015

EN 62841-3-1:2014+AC:2015+A11:2017

EN 62479:2010

EN 55014-1:2017+A11:2020

EN 55014-2:2015

EN IEC 63000:2018

EN 301 489-1 V2.2.3

EN 301 489-17 V3.1.1

EN 300 328 V2.2.2



Winnenden, 2020-11-11

Alexander Krug / Managing Director

Ovlašten za formiranje tehničke dokumentacije.

Techtronic Industries GmbH

Max-Eyth-Straße 10, 71364 Winnenden, Germany

## SIMBOLI



Molimo da pažljivo pročitate uputu o upotrebi prije puštanja u rad.



PAŽNJA! UPOZORENIE! OPASNOST!



Prije svih radova na stroju izvaditi bateriju za zamjenu.



Nositi zaštitu sluha!

Nositi prikladnu zaštitnu masku protiv prašine.



Kod radova na stroju uvijek nositi zaštitne naočale.



Nositi zaštitne rukavice!



Ruke nikada ne stavljati na područje lista pile.



Aparat je prikladan samo za korištenje u prostorijama, aparat ne izlagati kiši.



Oprema - u opsegu isporuke nije sadržana, preporučena dopuna iz promograma opreme.



Pomagalo za stabilizaciju putanje i blokovi za garanje mogu se kupiti u specijaliziranim trgovinama. Koristite samo visokokvalitetni pribor.



Elektrouredaji, baterije/akumulatori se ne smiju zbrinjavati skupa sa kućnim smećem. Električni uređaji i akumulatori se moraju skupljati odvojeno i predati na zbrinjavanje primjereno okolišu jednom od pogona za iskorišćavanje. Raspitajte se kod mjesnih vlasti ili kod stručnog trgovca u svezi gospodarstva za recikliranje i mjesta skupljanja.

**n<sub>0</sub>**

Broj okretaja praznog hoda

**V**

Napon



Istosmjerna struja



Evropski znak suglasnosti



Britanski znak suglasnosti



Ukrajinski znak suglasnosti

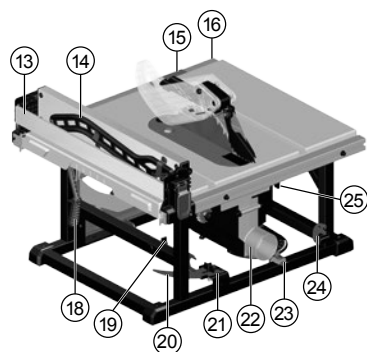
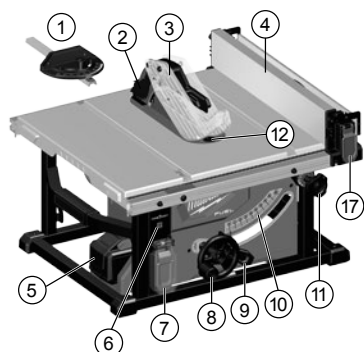


Euroazijski znak suglasnosti

Hrvatski



| TEHNISKIE DATI  |  | M18 FTS210  |
|---|--|---|
| galda ripzāģis  |  |   |
| Izlaides numurs   |  | 4609 60 02...<br>... 000001-999999                |
| Akumulātoru spriegums   |  | 18 V  |
| Tukšgaitas apgriezumu skaits  |  | 6300 min <sup>-1</sup>                            |
| Frekvenču josta   |  | 2402-2480 MHz                                     |
| Signāla jauda   |  | 1,8 dBm   |
| Zāģa ripas ārējais diametrs x iekšējais diametrs  |  | 210 x 30 mm                                       |
| Zāģa asmens biezums   |  | maksimālais 1,55 mm                               |
| Zobu biezums  |  | minimālais 1,8 mm<br>maksimālais 2,2 mm           |
| Maksimālais griezuma dziļums lenķī 0 / 45°  |  | 63,5 / 44 mm                                      |
| Attālums starp garenzāģēšanas vadlīnēālu un zāģa asmeni maksimālais                     |  | Pa kreisi<br>Pa labi<br>310 mm<br>525 mm / 622 mm |
| Svars atbilstoši EPTA -Procedure 01/2014 (Li-Ion 2,0 Ah ... 12,0 Ah)                    |  | 21,2 kg ... 22,3 kg                               |
| Darbībai ieteicamā apkārtnes temperatūra  |  | -18°C ... +50°C                                   |
| Ieteicamie akumulatoru komplekti  |  | M18B... / M18HB...                                |
| Ieteicamās uzlādes ierīces  |  | M12-18... / M1418 C6                              |
| <b>Trokšņu informācija</b>  |  |   |
| Vērtības, kas noteiktas saskaņā ar EN 62841. A novērtētās aparātūras skaņas līmenis ir: |  |   |
| Trokšņa spiediena līmenis (Nedrošība K=3dB(A))  |  | 92,37 dB(A)                                       |
| Trokšņa jaudas līmenis (Nedrošība K=3dB(A))   |  | 103,37 dB(A)                                      |
| <b>Nēsāt trokšņa slāpētāju!</b>   |  |   |



#### Ierīces apraksts

- ① Zāģēšanas lenķa marķieris
- ② Pretatsītieta sprūdi
- ③ Šķēlējnazis ar aizsargu / Asmens aizsargs
- ④ Garenzāģēšanas vadlīnēāls
- ⑤ Baterija
- ⑥ ONE KEY indikators
- ⑦ Jaudas slēdža / Slēdža apvalks
- ⑧ Augstuma regulēšanas rokrats
- ⑨ Zāģēšanas lenķa iestatītāja fiksēšanas svira
- ⑩ Zāģēšanas lenķa iestatītāja skala
- ⑪ Vadlīnēāla regulēšanas rats
- ⑫ Asmens plāksnīte / Asmens plāksnītes aizbidnis
- ⑬ Pagarināts garenzāģēšanas vadlīnēāls
- ⑭ Bīdāmais rokturis
- ⑮ Garenzāģēšanas skalas indikators
- ⑯ Garenzāģēšanas skalas
- ⑰ Vadlīnēāla aizbidņi
- ⑱ Vadlīnēāla bloķētāji
- ⑲ Asmens uzgriežņu atslēgas uzglabāšana / Asmens uzgriežņu atslēgas
- ⑳ Šķēlējnazis
- ㉑ Šķēlējnazis / Šķēlējnazis ar aizsargu uzglabāšana
- ㉒ Putekļu atsūces kanāls
- ㉓ Zāģēšanas lenķa marķieris uzglabāšana
- ㉔ Pretatsītieta sprūdi uzglabāšana
- ㉕ Šķēlējnazis ieslēgšanas svira

Latviski

**⚠** **UZMANĪBU** Izlasiet visus drošības norādījumus, instrukcijas, attēlus un datus, ko saņemat kopā ar ierīci. Šeit sniegto drošības noteikumu un norādījumu neievērošana var izraisīt aizdegšanos un būt par cēloni elektriskajam triecienam vai nopietnam savainojumam. **Pēc izlasīšanas uzglabājiet šos noteikumus turpmāki izmantošanai.**

## **⚠** GALDA ŽĀGU LIETOŠANAS DROŠĪBAS NORĀDĪJUMI

### 1) Aizsargi

a) **Aizsargiem jāatrodas paredzētās vietās. Aizsargiem jābūt darba kārtībā, un tie pareizi jāuzstāda.** Aizsargs, kas ir valģis, bojāts vai nedarbojas pareizi, ir jāizremontē vai jānomaina.

b) **Veicot caurzāģēšanu, vienmēr izmantojiet zāģa asmens aizsargu, šķelējnazī un pretatsitienu ierīci.** Caurzāģēšanas laikā, kad zāģa asmens pilnībā pārzāģē sagataves biežumu, aizsargs un citas drošības ierīces palīdz samazināt ievainojumu risku.

c) **Pēc tādās darbības (piemēram, gropēšanas) pabeigšanas, kuras laikā jānoņem aizsargs, šķelējnazis un/vai pretatsitienu ierīce, nekavējoties no jauna uzstādiat aizsargu sistēmu.** Aizsargs, šķelējnazis un pretatsitienu ierīce palīdz samazināt ievainojumu risku.

d) **Pirms zāģa slēdža ieslēgšanas pārliecinieties, vai zāģa asmens nesaskaras ar aizsargu, šķelējnazī vai sagatavi.** Šo ierīču netiša saskaršanās ar zāģa asmeni var radīt bīstamu stāvokli.

e) **Veiciet drošības regulāciju, kā norādīts lietošanas pamācībā.** Nepareizi iestatīta atstatuma, nepareiza novietojuma un centrējuma rezultātā šķelējnazis nespēj samazināt atsitienu iespēju.

f) **Lai šķelējnazis un pretatsitienu ierīce darbotos, tiem jābūt saslēgtiem ar sagatavi.** Šķelējnazis un pretatsitienu ierīce ir neefektīvi, zāģējot sagataves, kas ir pārāk īsas, lai varētu tās saslēgt ar šķelējnazī un pretatsitienu ierīci. Šādos apstākļos šķelējnazī un pretatsitienu ierīces nevar novērst atsitienu.

g) **Lietojiet drošīgnāzi, kas atbilst iestiprinātajam zāģa asmenim.** Lai šķelējnazis darbotos pareizi, zāģa asmeņa diametram jāatbilst atbilstošajam šķelējnazim, zāģa asmenim jābūt plānākam par šķelējnazī un zāģa asmens zāģēšanas atveres platumam jābūt plātākam par šķelējnazī biežumu.

### 2) Bīdīnājumi par zāģēšanas drošību

a) **⚠ BĪSTAMI! Nekad nenovietojiet pirkstus vai rokas zāģa asmens tuvumā vai vienā līnijā ar tā kustības virzienu.** Neuzmanības vai pasliedšanās rezultātā Jūsu roka var nokļūt uz zāģa asmens un izraisīt smagus miesas bojājumus.

b) **Padodiet sagatavi uz zāģa asmeni tikai pretēji rotācijas virzienam.** Sagataves padošana tajā pašā virzienā, kādā zāģa asmens griežas virs galda, var ievilkēt sagatavi un Jūsu roku zāģa asmenī.

c) **Nekad neizmantojiet slīpā zāģējuma marķieri, lai padotu sagatavi garenzāģējot un neizmantojiet garenzāģēšanas vadlīnēšu garuma apturēšanai, kad tiek veikta šķērszāģēšana ar slīpā zāģējuma marķieri.** Vienlaicīga sagataves vadīšana ar garenzāģēšanas vadlīnēšu un slīpā

zāģējuma marķieri palielina zāģa asmens iespīlēšanās un atsitienu iespējamību.

d) **Garenzāģēšanas laikā jāsadala sagatavei pieliktais padeves spēks starp vadlīnēšu un zāģa asmeni. Izmantojiet bīdāmo rokturi, ja attālums starp vadlīnēšu un zāģa asmeņiem ir mazāks par 150 mm, un izmantojiet bīdāmo bloku, ja šis attālums ir mazāks par 50 mm.** Ierīces, kas „palīdz strādāt”, saglabās Jūsu roku drošā attālumā no zāģa asmens.

e) **Izmantojiet tikai bīdāmo rokturi, ko piegādājis ražotājs vai kas izgatavots saskaņā ar instrukcijām.** Šis bīdāmais rokturis nodrošina pietiekamu rokas attālumu no zāģa asmens.

f) **Nekad neizmantojiet bojātu vai iepīļušu bīdāmo rokturi.** Bojāts bīdāmais rokturis var salūzt, un Jūsu roka var uzkrīst uz zāģa asmens.

g) **Nestrādājiet ar rokām bez palīgierīcēm. Vienmēr izmantojiet vai nu garenzāģēšanas vadlīnēšu, vai slīpā zāģējuma marķieri, lai novietotu un vadītu sagatavi.** Strādāt ar rokām bez palīgierīcēm nozīmē izmantot rokas, lai atbalstītu vai vadītu sagatavi, nevis paralēlu vadotni vai slīpā zāģējuma marķieri. Zāģēšana ar rokām bez palīgierīcēm izraisa novirzes, iespīlēšanos un atsitienu.

h) **Nekad nesniedzieties aiz rotējoša zāģa asmens vai virs tā.** Sniegšanās pēc sagataves var novest pie nejaūšas saskares ar rotējošo zāģa asmeni.

i) **Nodrošiniet zāģa galda aizmugurē un/vai sānos sagataves papildu atbalstu garām un/vai platām sagatavēm, lai tās būtu līdzsvaras.** Garai un/vai platai sagatavei ir tendence griezties uz galda malas, izraisot kontroles zudumu, zāģa asmeņu iespīlēšanos un atsitienu.

j) **Padodiet sagatavi vienmērīgā tempā. Nevelciet vai negrieziet sagatavi. Ja rodas sastrēgums, nekavējoties izslēdziet ierīci, atvienojiet to no strāvas avota un pēc tam iztīriet sastrēgumu.** Zāģa asmens iestrēgšana sagatavē var izraisīt atsitienu vai motora apstāšanos.

k) **Ja zāģis darbojas, neizmēģiniet nozāģēt materiāla gabalus.** Materiāls var iestrēgt starp vadlīnēšu un zāģa asmens aizsargu iekšpusi, un zāģa asmens ievilkīs Jūsu pirkstus asmenī. Pirms materiāla izņemšanas izslēdziet zāģi un pagaidiet, līdz zāģa asmens apstājas.

l) **Garenzāģējot sagataves, kuru biežums ir mazāks par 2 mm, izmantojiet papildu vadlīnēšu, kas saskaras ar galda virsmu.** Plāna sagatave var iekļēties zem garenzāģēšanas vadlīnēša un radīt atsitienu.

### 3) Atsitienu cēloņi un tā novēršana:

Atsitiens ir pēkšņa sagataves reakcija uz iespiestu vai iestrēgušu zāģa asmeni vai novirzījusies sagataves zāģēšanas līnija attiecībā pret zāģa asmeni, kā arī tad, ja daļa sagataves ir iespiēta starp zāģa asmeni un garenzāģēšanas vadlīnēšu vai citu nekustīgu objektu.

Visbiežāk atsitienu laikā zāģa asmens aizmugurējā daļa paceļ no galda sagatavi un met to operatora virzienā.

Atsitiens ir zāģa kiudains vai nepareizas lietošanas sekas. No tā var izvairīties, veicot zināmus piesardzības pasākumus, kas aprakstīti turpmākajā izklāstā.

a) **Nekad nestāviet tieši vienā līnijā ar zāģa asmens kustības virzienu. Stāviet tajā zāģa asmens pusē, kur atrodas vadlīnēšs.** Atsitiens var mest sagatavi lielā ātrumā pret

cilvēku, kas stāv zāģa asmens priekšā un vienā līnijā ar tā kustības virzienu.

b) **Nekad nesniedzieties pāri zāģa asmenim vai aiz tā, lai vilktu vai atbalstītu sagatavi.** Jūs varat nejausi pieskarties pie zāģa asmens vai atsitēties var ieraut Jūsu pirkstus zāģa asmeni.

c) **Nekad neturiet un nespiediet zāģējamo sagatavi pret rotējošu zāģa asmeni.** Zāģējamās sagataves spiešana pret zāģa asmeni rada iespēļēšanos un atsitētienu.

d) **Novietojiet vadlīnēļu paralēli zāģa asmenim.** Nepareizi novietots vadlīnēļš spiež sagatavi pret zāģa asmeni un rada atsitētienu.

e) **Izmantojiet piespiedēļplāksnīti, lai sagatavi vadītu pret galdu un vadlīnēļu, veicot neaurzāģēšanas darbus, piemēram, gropēšanu.**

Piespiedēļplāksnīte palīdz saglabāt kontroli pār sagatavi atsitētienu gadījumā.

f) **Esat īpaši piesardzīgs, veicot iezāģējumus samontētu sagatavju neredzamajās zonās.** Iegremdētais zāģa asmens var aizķert objektus, kas var izraisīt atsitētienu.

g) **Atbalstiet lielus paneļus, lai samazinātu zāģa asmens iespēļēšanas un atsitētienu risku.** Lieliem paneļiem ir tendence ieliekties zem pašu svara. Atbalsts (-) jānovieto zem visām paneļā daļām, kas pārkaras pāri galda virsmā.

h) **Esiet īpaši piesardzīgs, zāģējot sagriežušos, zarainu vai sametušos sagatavi vai sagatavi, kurai nav taisnas malas, lai to vadītu ar slīpā zāģējuma marķieri vai gar vadlīnēļu.** Sametusias, zaraina vai sagriežusias sagatave ir nestabila, un tas izraisa iezāģējuma novirzi no zāģa asmens, iespēļēšanos un atsitētienu.

i) **Nekad neizāģējiet vairāk par vienu sagatavi, kas ir sakrautas vertikāli vai horizontāli.** Zāģa asmens var aizķert vienu vai vairākus gabalus un izraisīt atsitētienu.

j) **Atkārtoti ieslēdzot zāģi ar zāģa asmeni sagatavē, centrējiet zāģa asmeni iezāģējumā tā, lai zāģa zobi nebūtu savienoti ar materiālu.** Ja zāģa asmens iespēļējas, tas var pacelt sagatavi un izraisīt atsitētienu, kad zāģis tiek no jauna palaists.

k) **Uzturiet zāģu asmeņus tīrus, asus un pietiekami nokomplektētus. Nekad neizmantojiet saliektus zāģa asmeņus vai zāģa asmeņus ar ieplaisājušiem vai salauztiem zobiem.** Asi un pareizi iestatīti zāģu asmeņi līdz minimumam samazina iespēļēšanos, apturēšanu un atsitētienu.

#### 4) Brīdinājumi par galda zāģa darbināšanas drošību

a) **Izņemot galda ieliktni, mainot zāģa asmeni vai pielāgojot šķelējnāzi, pretbloķēšanas ierīci vai asmeņu aizsargu, kā arī tad, kad galda zāģis tiek atstāts bez uzraudzības, izslēdziet galda zāģi un atvienojiet bateriju paketi.** Piesardzības pasākumi palīdzēs izvairīties no negadījumiem.

b) **Nekad neatstājiet galda zāģi bez uzraudzības. Izslēdziet to un neatstājiet bez uzraudzības, līdz tas pilnībā apstājas.** Neuzraudzīts strādājošs zāģis rada nekontrolējamu risku.

c) **Novietojiet galda zāģi labi apgaismotā un līdzenā vietā, kur Jūs varat saglabāt stabilu ķermeņa stāvokli un līdzsvaru. Nepieciešams uzstādīt to tā, lai pietiktu vietas konkrētā izmēra sagataves apstrādāšanai.** Pārāk šauras,

tumšas vietas un nelīdzenas, slīdenas grīdas paaugstina nelaiemes gadījumu risku.

d) **Bieži tīriet un noņemiet zāģskaidas no zem zāģu galda un/vai putekļu atsūces kanāla.** Uzkrājušās zāģskaidas ir viegli uzliesmojošas un var pašaiždegties.

e) **Galda zāģis ir jānostiprina.** Nepareizi nostiprināts galda zāģis var pārvietoties vai apgāzties.

f) **Pirms galda zāģa ieslēģšanas noņemiet no galda instrumentus, koksnē atliekas utt.** Neuzmanība vai iespējama iestrēģšana var būt bīstama.

g) **Lietojiet zāģa asmeņus ar pareizu centrālās atveres izmēru un formu (rombveida vai apaļu).** Zāģa asmeņi, kas neatbilst uzstādīšanas ierīcēm, rotē ekscentriski, izraisot kontroles zudumu.

h) **Nelietojiet bojātus vai nepiemērotus zāģa asmeņus uzstādīšanas līdzekļus, piemēram, atlokus, zāģa asmeņu paplāksnes, skrūves vai uzgriežņus.** Šie uzstādīšanas līdzekļi ir speciāli paredzēti Jūsu zāģim, drošai darbībai un optimālai veiktspējai.

i) **Nekad nestāviet uz galda zāģa, nelietojiet to kā pakāpienu.** Ja ierīce apgāžas vai Jūs nejausi pieskarties pie asmens, var rasties smags miesas bojājums.

j) **Pārliecinieties, vai zāģa asmens ir uzstādīts tā, lai tas griestos pareizajā virzienā. Neapstrādājiet galda zāģi ar slīpripām, stieplu sukām vai abrazīvām ripām.** Nepareizi uzstādīts zāģa asmens var neparedzētu piederumu lietošana var izraisīt smagus miesas bojājumus.

#### Citas drošības un darba instrukcijas

Aizliegts zāģēt taisnstūrveida gropes savienojumiem, zāģēt biezus dēļus, zāģēt horizontālā virzienā un zāģēt profilus.

Nēsājiet ausu aizsargus. Trokšņa iedarbība var izraisīt dzirdes zudumu.

Jāizmanto aizsargaprikojums. Strādājot ar mašīnu, vienmēr jānēsā aizsargbrilles. Ieteicams nēsāt aizsargapģērbu, kā piemēram, aizsargmasku, aizsargcimdus, kurpes no stingra un neslīdīga materiāla, ķiveri un ausu aizsargus.

Putekļi, kas rodas strādājot, bieži ir kaitīgi veselībai, un tiem nevajadzētu nokļūt ķermenī. Vajag izmantot putekļusūcēju un bez tam nēsāt masku, kas pasargā no putekļiem. Nosēdušos putekļus vajag aizvēkt, piem. nosūknēt.

Nodrošināt, lai ierīce vienmēr stāvētu stabili.

Pirms instrumenta pirmās lietošanas tiek ieteikts izlasīt lietošanas pamācību un iepazīties ar tā praktisko pielietojumu

Neizmantojiet bojātus vai deformētus zāģa diskus.

Lietojiet tikai pareizi uzasinātas zāģa plātnes.

Izmantojiet tikai koka zāģēšanas asmeņus, kas norādīti šajā rokasgrāmatā un kas atbilst EN 847-1.

Lai samazinātu troksni, darbinstrumentam jābūt uzasinātam, un visiem trokšņa slāpēšanas elementiem (pārsegiem u.c.) jābūt noregulētiem saskaņā ar noteikumiem.

Drīkst izmantot tikai standartam EN 847-1 atbilstošus darbinstrumentus.

Darbinstrumentu pārnēsāšanai un glabāšanai jāizmanto piemērota tvērtne.

Lietojiet zāģa plātni, kas ir piemērota attiecīgā materiāla griešanai.



Lat

Nodrošiniet, lai netiktu pārsniegti uz zāga plātnes norādītie maksimālie apgrīzieni.

Nelietojiet zāga plātnes, kas izgatavotas no ātrām darbām paredzētā tērauda.

Nedrīkst lietot slīpriņas!

Noņemiet spaspiedējatslēgas. Pirms ierīces ieslēgšanas vienmēr pārbaudiet, vai spaspiedējatslēgas tika noņemtas.

Ja mašīnā, ieskaitot aizsardzības ierīces vai zāga plātni, ir radusies kļūda, tad tikko kā tā ir konstatēta, par to jāziņo personai, kas ir atbildīga par drošības tehniku.

Nelikt rokas mašīnas darbības laukā.

Skaidas un atlūzas nedrīkst ņemt ārā, kamēr mašīna darbojas.

Pārnēsājot iekārtu, augšējo aizsargpārsegu nedrīkst izmantot par rokturi!

Iekārtas pārvietošanas laikā augšējām aizsargpārsegām jānosedz zāgripas augšdaļa.

Pārbaudiet, vai paralēlgriezuma vadotne atrodas paralēli pret zāgplātni.

Raudzīties, lai uz grīdas nemētātos materiālu atlikumi, piem., zāgskaidas, atgrīezumi.

Neskatoties uz visu relevanto būvniecības noteikumu normu ievērošanu, darbinot mašīnu, var vēl rasties bīstamība, piem., no: atpakaļ atmetajām sagataves daļām, atpakaļ atmetajām sagataves daļām instrumentu bojājumu gadījumā, trokšņu emisijas, koksnes putekļu emisijas  
Pirms mašīnai veikt jebkāda veida apkopes darbus, ir jāizņem ārā akumulators.

**UZMANĪBU!** Lai novērstu īssavienojuma izraisītu aizdegšanās, savaiņojumu vai produkta bojājuma risku, neiegremdējiet instrumentu, maināmo akumulatoru vai uzlādes ierīci šķīdumos un rūpējieties par to, lai ierīces un akumulatoros neiekleļtu šķīdums. Koroziju izraisoši vai vadītspējīgi šķīdumi, piemēram, sālsūdens, noteiktas ķīmikālijas, balinātāji vai produkti, kas satur balinātājus, var izraisīt īssavienojumu.

M18 sistēmas akumulatorus lādēt tikai ar M18 sistēmas lādētājiem. Nedrīkst lādēt citus akumulatorus no citām sistēmām.

Akumulatorus un lādētājus nedrīkst taisyt vaļā un tie jāuzglabā sausās telpās.

## UZMANĪBU



Šai ierīcei ir pogas/monētas tipa litija baterija. Ja jauna vai lietota baterija tiek norīta vai nonāk ķermenī, tā ar izraisīt smagus iekšējus apdegumus un nāvi ātrāk nekā 2 stundu laikā.

Vienmēr nostipriniet baterijas nodalījuma vāciņu. Ja tas droši neaizveras, apturiet ierīci, izņemiet bateriju un noglabājiet bērniem nepieejamā vietā. Ja domājat, ka baterijas ir norītas vai citādi nonākušas ķermenī, nekavējoties meklējiet medicīnisku palīdzību.

## NOTEIKUMIEM ATBILŠOŠS IZMANTOJUMS

Izmantojiet galda ripzāģi tikai koksnes un koka izstrādājumu zāgēšanai.

Nekad nelietojiet galda ripzāģi, lai grieztu citus materiālus nekā norādīts lietošanas instrukcijā.

Formas ar apalu vai neregulāru šķērsgrizumu (piem., malka, nedrīkst tikt zāgētas, ja zāgēšanas procesa laikā tās netiek droši nostiprinātas. Zāģējot augstās malas plakanajām formām ir jāizmanto piemēroti instrumenti zāgēšanai vadībai.

Garenzāģēšana, šķērszāģēšana, taisnstūrveida zāģēšana un leņķzāģēšana, izmantojot ne vairāk par vienu uzmontēto zāģa asmeni.

## PĀRĒJIE RISKI

Pat lietojot ierīci atbilstoši noteikumiem, nav iespējams pilnībā izslēgt citus riskus. Ierīces izmantošanas laikā var rasties turpmākie riska faktori, kādēļ ierīces lietotājam nepieciešams ievērot turpmākās norādes:

- Lai izvairītos no paliekošiem dzirdes traucējumiem, ierobežojiet darba ilgumu ar ierīci un lietojiet piemērotus dzirdes aizsardzības līdzekļus.

- Ierīces lietotājam ir jāveic nepieciešamie pasākumi, lai mazinātu vibrāciju radīto ietekmi, kā arī samazinātu darba ilgumu ar ierīci.

- Strādājot ar ierīci, ir jālieto elpošanas maskas, lai izvairītos no veselības problēmām, ko izraisa radīto putekļu ieelpošana.

## APKOPE

Pirms instrumenta regulēšanas, tīrīšanas vai tehniskās apkopes atvienojiet akumulatora komplektu.

Pirms zāga asmens pievienošanas vai noņemšanas noteikti atslēdziet instrumentu no strāvas padeves.

Regulāri notīriet putekļus. Lai novērstu ugunsbīstamību, iztīriet zāga iekšpusē sakrājušās zāgskaidas.

Nomainīt nolietotojušos galda plati.

Iekārtu un aizsardzības aprīkojumu jātura ar tīru un sausu lupatīņu.

Vajag vienmēr uzmanīti, lai būtu tīras dzesēšanas atveres.

Izmantojiet tikai firmu Milwaukee piederumus un firmas Milwaukee rezerves daļas. Lieciet nomainīt detaļas, kuru nomaīņa nav aprakstīta, kādā no firmu Milwaukee klientu apkalpošanas servisiem. (Skat. brošūru „Garantija/klientu apkalpošanas serviss”).

Ja nepieciešams, klientu apkalpošanas servīsa vai tieši pie firmas Techtronic Industries GmbH, Max-Eyth-Strasse 10, 71364 Winnenden, Germany, var pieprasīt instrumenta numurs, kas norādīts uz jaudas paneļa.

## ONE-KEY™

Lai uzziņātu vairāk par šīs iekārtas ONE-KEY funkcijām, lūdz, skatiet iekārtas piegādes komplektā iekļauto atīras palaides rokasgrāmatu vai apmeklējiet tīmekļa vietni <http://www.milwaukee-tool.com/one-key>

ONE-KEY lietotni savā viedtālrunī varat lejupielādēt no App Store vai Google Play.

Pārbaudes rezultāts izpilda mūsu minimālās prasības atbilstoši standartam EN 301 489-1 / EN 301 489-17. Lietošanas instrukcijas klientam ir sniegtas lietotāja rokasgrāmatā.

## AKUMULĀTORI

Akumulātori, kas ilgāku laiku nav izmantoti, pirms lietošanas jāuzlāde.

Pie temperatūras, kas pārsniedz 50°C, akumulatoru darbība tiek negatīvi ietekmēta. Vajag izvairīties no ilgākas saules un karstuma iedarbības.

Lādētāja un akumulatoru pievienojuma kontakti jāuztur tīri.

Lai baterijas darba ilgums būtu optimāls, pēc iekārtas izmantošanas tā jāuzlāde. Akumulātori, kas ilgāku laiku nav izmantoti, pirms lietošanas jāuzlāde.

Lai akumulatori kalpotu pēc iespējas ilgāku laiku, tos pēc uzlādes ieteicams atvienot no lādētāj ierīces.

Akumulatora uzglabāšana ilgāk kā 30 dienas: uzglabāt akumulatoru pie aptuveni 27°C un sausā vietā. Uzglabāt akumulatoru uzlādes stāvoklī aptuveni pie 30%-50%. Uzlādēt akumulatoru visus 6 mēnešus no jauna.

Izmantotos akumulārus nedrīkst mest uguni vai parastajos atkritumos. Firma Milwaukee piedāvā iespēju vecos akumulātorus savākt apkārtējo vidi saudzējošā veidā; jautājiet specializētā veikalā.

Akumulātorus nav ieteicams glabāt kopā ar metāla priekšmetiem (iespējams isslēgums).

Pie ārkārtas slodzes un ārkārtas temperatūrām no bojātā akumulātorā var izteciēt akumulātorā šķidrums. Ja nonākat saskarsmē ar akumulātorā šķidrums, saskarsmes vieta nekavējoties jānomazgā ar ūdeni un ziepēm. Ja šķidrums nonācis acīs, acis vismaz 10 min. skalot un nekavējoties konsultēties ar ārstu.

Jāuzmanās, lai akumulātoru lādētājā nenokļūtu nekādi metāla priekšmeti (iespējams isslēgums).

#### AKUMULĀTORA AIZSARDZĪBA PRET PĀRSLOGOJUMU

Ja akumulatori tiek pārslogoti ļoti liela strāvas patēriņa rezultātā, piemēram, ļoti lielos griezes momentos, iesprūstot darba rikam, pēkšņi apstājoties vai issavienojuma gadījumā elektroinstruments apstājas uz 2 sekundēm un pats izslēdzas. Lai to atkal ieslēgtu, atlaidiet ieslēgšanas pogu un tad to ieslēdziet no jauna. Esot ārkārtīgi augstam noslogojumam, akumulators var spēcīgi sakarst. Šādā gadījumā akumulators atslēdzas. Akumulatoru var ievietot lādētājā, lai to atkal uzlādētu un aktivizētu.

#### LITĪJA JONU AKUMULĀTORU TRANSPORTĒŠANA

Uz litija jonu akumulatoriem attiecas noteikumi par bīstamo kravu pārvadāšanu.

Šo akumulatoru transportēšana jāveic saskaņā ar vietējiem, valsts un starptautiskajiem normatīvajiem aktiem un noteikumiem.

Patērētāja darbības, pārvadājot šos akumulatorus pa autoceļiem, nav reglamentētas.

Uz litija jonu akumulatoru komerciālu transportēšanu, ko veic ekspedīcijas uzņēmums, attiecas bīstamo kravu pārvadāšanas noteikumi. Sagatavošanas darbus un transportēšanu drīkst veikt tikai atbilstoši apmācīts personāls. Viss process jāveda profesionāli.

Veicot akumulatoru transportēšanu, jāievēro:

Pārliedzinieties, ka kontakti ir aizsargāti un izolēti, lai izvairītos no issavienojumiem. Pārliedzinieties, ka akumulators iepakojumā nevar paslidēt. Bojātus vai tekošus akumulatorus nedrīkst transportēt. Plašāku informāciju Jūs varat saņemt no ekspedīcijas uzņēmuma.

#### ATBILSTĪBA CE NORMĀM

Mēs ar pilnu atbildību paziņojam, ka izstrādājums, kas raksturots sadaļā „Tehniskie dati”, atbilst visām attiecīgajām prasībām direktīvās

2011/65/ES (RoHS)

2006/42/EK

2014/53/ES

un ir piemēroti šādi saskaņotie standarti

EN 62841-1:2015

EN 62841-3-1:2014+AC:2015+A11:2017

EN 62479:2010

EN 55014-1:2017+A11:2020

EN 55014-2:2015

EN IEC 63000:2018

EN 301 489-1 V2.2.3

EN 301 489-17 V3.1.1

EN 300 328 V2.2.2



Winnenden, 2020-11-11

Alexander Krug / Managing Director  
Pilnvarotais tehniskās dokumentācijas sastādītājs.

Techtronic Industries GmbH

Max-Eyth-Straße 10, 71364 Winnenden, Germany



Lat

## SĪMBOLI



Pirms sākt lietot instrumentu, lūdzu, izlasiet lietošanas pamācību.



**UZMANĪBU! BĪSTAMI!**



Pirms mašīnai veikt jebkāda veida apkopes darbus, ir jāizņem arī akumulators.



Nēsāt trokšņa slāpētāju!

Jānēsā piemērota maska, kas pasargā no putekļiem.



Strādājot ar mašīnu, vienmēr jānēsā aizsargbrilles.



Jāvalkā aizsargcimdi!



Raugieties, lai rokas vienmēr būtu ārpus zāģa diska zonas.



Šis instruments ir piemērots tikai darbam iekšstelpās. Sargāt instrumentu no lietus.



Piederumi - standartapriekojumā neietvertās, bet ieteicamās papildus komplektācijas detaļas no piederumu programmas.



Piespiedējplāksnītes un bidāmos blokus var iegādāties pie specializētiem izplatītājiem. Lūdzu, izmantojiet tikai augstas kvalitātes piederumus.



Elektriskus aparātus, baterijas/akumulatorus nedrīkst izmantot kopā ar mājāsaimniecības atkritumiem. Elektriski aparāti un akumulatori ir jāsavāc atsevišķi un jānodod atkritumu pārstrādes uzņēmumā videi saudzīgai utilizācijai. Jautājiet vietējā iestādē vai savam specializētājam tirgotājam, kur atrodas atkritumu pārstrādes uzņēmumi vai savākšanas punkti.

**n<sub>0</sub>** Tukšgaitas apgriezienu skaits

**V** Spriegums



Līdzstrāva



Eiropas atbilstības zīme



Lielbritānijas atbilstības zīme



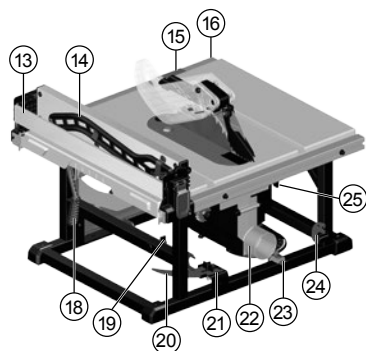
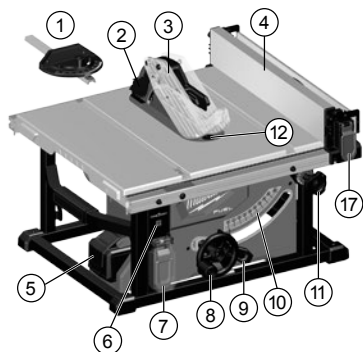
Ukrainas atbilstības zīme



Eirāzijas atbilstības zīme

# Latviski

| TECHNINIAI DUOMENYS   |                 | M18 FTS210                         |
|---|-----------------|------------------------------------|
| diskinės pjūvimo staklės  |                 |                                    |
| Produkto numeris  |                 | 4609 60 02...<br>... 000001-999999 |
| Keičiamo akumuliatoriaus įtampa   |                 | 18 V                               |
| Sūkių skaičius laisva eiga  |                 | 6300 min <sup>-1</sup>             |
| dažnių juosta   |                 | 2402-2480 MHz                      |
| radijo dažnių galia   |                 | 1,8 dBm                            |
| Pjovimo disko $\varnothing$ x grežinio $\varnothing$  |                 | 210 x 30 mm                        |
| Pjovimo disko korpuso storis  |                 | maks. 1,55 mm                      |
| Dantukų storis  |                 | min. 1,8 mm<br>maks. 2,2 mm        |
| Maks. Pjūvio gylis, esant 0 / 45°   |                 | 63,5 / 44 mm                       |
| Atstumas tarp įpjovimo kreiptuvo ir pjovimo disko maks.   | Kairė<br>Dešinė | 310 mm<br>525 mm / 622 mm          |
| Prietaiso svoris įvertintas pagal EPTA 01/2014 tyrimų metodiką (Li-Ion 2,0 Ah ... 12,0 Ah)        |                 | 21,2 kg ... 22,3 kg                |
| Rekomenduojama aplinkos temperatūra eksploatuojant  |                 | -18°C ... +50°C                    |
| Rekomenduojami akumuliatoriai   |                 | M18B... / M18HB...                 |
| Rekomenduojami įkrovikliai  |                 | M12-18... / M1418 C6               |
| <b>Informacija apie keliamą triukšmą</b>  |                 |                                    |
| Vertės matuotos pagal EN 62841. Įvertintas A įrenginio keliamo triukšmo lygis dažniausiai sudaro: |                 |                                    |
| Garso slėgio lygis (Paklaida K=3dB(A))  |                 | 92,37 dB(A)                        |
| Garso galios lygis (Paklaida K=3dB(A))  |                 | 103,37 dB(A)                       |
| <b>Nešioti klausos apsaugines priemones!</b>  |                 |                                    |



#### Įrenginio aprašymas

- ① Įstrižo pjūvio matuoklis
- ② Apsaugos nuo atitrankos strektės
- ③ Skėlimo peilis su apsaugu / Disko apsaugas
- ④ Įpjovimo kreiptuvas
- ⑤ Akumuliatorius
- ⑥ ONE KEY indikatorius
- ⑦ Maitinimo jungiklio / Jungiklio dangtelis
- ⑧ Aukščio reguliavimo rankenėlė
- ⑨ Nuožambio užfiksavimo svirtis
- ⑩ Nuožambaus pjūvio skalė
- ⑪ Kreiptuvo reguliavimo ratukas
- ⑫ Angos plokštė / Angos plokštės sklendė
- ⑬ Pailginamas atverčiamas kreiptuvas
- ⑭ Stūmimo lazdelė
- ⑮ Įpjovimo skalės indikatorius
- ⑯ Įpjovimo skalės
- ⑰ Kreiptuvo sklendės
- ⑱ Kreiptuvo užraktas
- ⑲ Pjovimo disko veržliarakčio sandėliavimas / Pjovimo disko veržliarakčio
- ⑳ Skėlimo peilis
- ㉑ Skėlimo peilis / Skėlimo peilis su apsaugu sandėliavimas
- ㉒ Dulkių latakas
- ㉓ Įstrižo pjūvio matuoklis sandėliavimas
- ㉔ Apsaugos nuo atitrankos strektės sandėliavimas
- ㉕ Skėlimo peilis atleidimo svirtis

**⚠ DĖMESIO** Perskaitykite visas saugos nuorodas, instrukcijas, iliustracijas ir duomenis, kuriuos gaunate su prietaisu. Jei nepaisysite žemiau pateiktų saugos nuorodų ir reikalavimų, gali trenkti elektros smūgis, kilti gaisras ir/arba galite sunkiai susižaloti arba sužaloti kitus asmenis. Išsaugokite šias saugos nuorodas ir reikalavimus, kad ir ateityje galėtumėte jais pasinaudoti.

## **⚠ PJOVIMO STAKLIŲ SAUGOS INSTRUKCIJOS**

### 1) Su apsaugais susiję įspėjimai

a) **Apsaugai turi būti uždėti savo vietose. Apsaugų darbinė būklė turi būti gera, jie turi būti tinkamai sumontuoti.** Laisvus, apgadintus ar netinkamai veikiančius apsaugus reikia suremontuoti arba pakeisti.

b) **Atlikdami bet kokius pjovimo kiaurai darbus visada naudokite disko apsaugą, skėlimo peilį ir apsaugos nuo atatranks įrenginį.** Atliekant pjovimo kiaurai darbus, kai pjovimo diskas pjauna kiaurai per visą ruošinio storį, apsaugas ir kiti saugos įrenginiai padės sumažinti susižalojimų riziką.

c) **Užbaigę darbą (pvz., užkaičių darymą), kurį atliekant reikėjo nuimti apsaugą, skėlimo peilį ir apsaugos nuo atatranks įrenginį, iškart vėl uždėkite apsaugų sistemą.** Apsaugas, skėlimo peilis ir apsaugos nuo atatranks įrenginys padės sumažinti susižalojimų riziką.

d) **Prieš įjungdami jungiklį įsitikinkite, kad pjovimo diskas nesiliečia prie apsaugo, skėlimo peilio ar ruošinio.** Pjovimo diskui netyčia prisilietus prieš šių elementų gali susidaryti pavojingos sąlygos.

e) **Sureguliuokite skeliamąją peilą, kaip apražyta naudojimo instrukcijoje.** Dėl netinkamo atstumo bei padėties nustatymo ir išlygiavimo skėlimo peilis gali veikti neefektyviai ir nemažinti atatranks tikimybės.

f) **Tam, kad skėlimo peilis ir apsaugos nuo atatranks įrenginys veiktų, jie turi sukibti su ruošiniu.** Skėlimo peilis ir apsaugos nuo atatranks įrenginys veiks neefektyviai pjaunant per trumpus ruošinius, su kuriais negali sukibti skėlimo peilis ir apsaugos nuo atatranks įrenginys. Esant šioms sąlygoms skėlimo peilis ir apsaugos nuo atatranks įrenginys negalės apsaugoti nuo atatranks.

g) **Naudokite sumontuotam pjūklui tinkantį skeliamąją peilą.** Tam, kad skėlimo peilis veiktų tinkamai, pjovimo disko skersmuo turi atitikti atitinkamą skėlimo peilį, o disko korpusas turi būti plonesnis už skėlimo peilį, disko pjaunamo griovelio plotis turi būti didesnis už skėlimo peilio storį.

### 2) Pjovimo procedūrų įspėjimai

a) **⚠ PAVOJUS: Niekada nelaikykite pirštų ar rankų šalia pjovimo disko arba vienoje linijoje su juo.** Dėl neatidumavimo akimirks ar paslydimo ranka gali nukrypti link pjovimo disko, todėl galite sunkiai susižaloti.

b) **Stumkite ruošinį link pjovimo disko tik prieš sukimosi kryptį.** Stumiant ruošinį pjovimo disko sukimosi virš stalo kryptimi, ruošinys ir rankos gali būti įtraukti į pjovimo diską.

c) **Įpjaudami niekada nestumkite ruošinio įstrižo pjūvio matuokliu ir nenaudokite įpjovimo kreiptuvo kaip ilgio stabdiklio, kai pjaunate su įstrižo pjūvio matuokliu.**

Kreipiant ruošinį įpjovimo kreiptuvu ir įstrižo pjūvio matuokliu vienu metu padidėja pjovimo disko sulinkimo ir atatranks tikimybė.

d) **Įpjaudami visada stumkite ruošinį tarp kreiptuvo ir pjovimo disko. Kai atstummas tarp kreiptuvo ir pjovimo disko yra mažesnis kaip 150 mm, naudokite stūmimo lazdele, o kai atstummas yra mažesnis kaip 50 mm, naudokite stūmimo bloką.** Naudojant „pagalbinius“ įrenginius rankos bus saugiu atstumu nuo pjovimo disko.

e) **Naudokite tik gamintojo pateikiamą arba pagal instrukcijas sukonstruotą stūmimo lazdele.** Ši stūmimo lazdele užtikrina pakankamą atstumą tarp rankos ir pjovimo disko.

f) **Niekada nenaudokite apgadintos ar nupjautos stūmimo lazdelės.** Apgadinta stūmimo lazdele gali lūžti, o ranka gali nuslysti prie pjovimo disko.

g) **Neatlikite jokių veiksmų „laisvomis rankomis“.** Ruošinio padėčiai nustatyti arba jam kreipti visada naudokite įpjovimo kreiptuvą arba įstrižo pjūvio matuoklį. „Laisvomis rankomis“ reikšia prilaikyti arba nukreipti ruošinį rankomis, o ne įpjovimo kreiptuvu arba įstrižo pjūvio matuokliu. Pjovimas laisvomis rankomis gali sąlygoti neišlygiavimą, sulinkimą ar atatranką.

h) **Niekada nesiekite per besisukantį pjovimo diską ar virš jo.** Siekdami paimti ruošinį virš pjovimo disko galite netyčia prisiliesti prie besisukančio pjovimo disko.

i) **Pjaudami ilgus ir (arba) plačius ruošinius pasirūpinkite papildoma ruošinio atrama staliniu pjūklo gale ir (arba) šonuose, kad ruošiniai būtų lygūs.** Ilgas ir (arba) platus ruošinys yra linkęs pasisukti stalo krašte, todėl galima prarasti kontrolę, gali sulinkti pjovimo diskas ir įvykti atatranka.

j) **Ruošinį stumkite vienuodu tempu. Nelenkite ir nesukite ruošinio. Užstrigus ruošiniu iškart išjunkite įrankį, ištraukite maitinimo laidą ir išvalykite strigtį.** Pjovimo disko užkirtimas ruošiniu gali sukelti atatranką arba užstrigdyti varklį.

k) **Nenuimkite nupjautų ruošinio dalių, kol pjūklas veikia.** Ruošinys gali įstrigti tarp kreiptuvo ar pjovimo disko apsaugo viduje, o pjovimo diskas gali įtraukti jūsų pirštus. Prieš nuimdami ruošinio dalis išjunkite pjūklą ir palaukite, kol pjovimo diskas nustos sukstis.

l) **Kai įpjaujami ruošiniai yra plonesni negu 2 mm, naudokite pagalbinį kreiptuvą stalo viršuje.** Plonas ruošinys gali būti prispaustas po įpjovimo kreiptuvu ir sukelti atatranką.

### 3) ATATRANKOS PRIEPASTYS IR BŪDAI JOS IŠVENGTI:

Atatranka yra staigi ruošinio reakcija į pjovimo disko sugnybimą, užstrigimą ar ruošinio pjūvio linijos nesulygiavimą pagal pjovimo diską arba kai ruošinio dalis įstringa tarp pjovimo disko ir įpjovimo kreiptuvo ar kito fiksuoto objekto.

Atatranks metu pjovimo disko galinė dalis dažniausia pakelia ruošinį ir stumia link operatoriaus.

Atatranka yra netinkamo prietaiso naudojimo arba klaidingo valdymo rezultatas. Atitinkamos priemonės (pr. pirmiau) leidžia jos išvengti.

a) **Niekada nestovėkite tiesiogiai vienoje linijoje su pjovimo disku. Visada stovėkite toje pačioje pjovimo disko pusėje, kurioje įrengtas kreiptuvas.** Atatranka gali dideliu greičiu stumti ruošinį link pjūklo disko priekyje ar vienoje linijoje su juo stovinčių žmonių.



b) **Niekada nesiekite virš pjovimo disko ar už jo, norėdami patraukti ar prilaukti ruošinį.** Galite netyčia prisiliesti prie pjovimo disko arba atatranka gali įtraukti jūsų pirštus į pjovimo diską.

c) **Niekada nelaukiate pjaunamo ruošinio ir nespauskite jo prie besisukančio pjovimo disko.** Spaudžiant pjaunamą ruošinį prie pjovimo disko, diskas gali sulinkti ir susidaryti atatranka.

d) **Sulygiuokite kreiptuvą, kad jis būtų lygiagrečiai pjovimo diskui.** Neišlygiuotas kreiptuvas gali prispausti ruošinį prie pjovimo disko ir sukelti atatranką.

e) **Atlikdami ne kiaušus pjūvius, pavyzdžiui, užkaitas, kreipkite ruošinį link stalo ir kreiptuvo plokštė su įpjovomis.**

Plokštė su įpjovomis padeda kontroliuoti ruošinį įvykiu atatranka.

f) **Būkite labai atsargūs pjaudami surinktų ruošinių aklinas vietas.** Išsikisantis pjovimo diskas gali pjauti objektus, galinčius sukelti atatranką.

g) **Siekdami sumažinti pjovimo disko suspaudimo ir atatrankos riziką, atremkite dideles plokštes.** Didelės plokštės gali įlįnti dėl savo pačių svorio. Atrama (-os) turi būti padėtos po visomis plokštėmis, išsikisantioms už stalo viršaus, dalimis.

h) **Būkite labai atsargūs pjaudami ruošinį, kuris yra susuktas, deformuotas, turi daug ataugų ar neturi tiesaus kampo, kurį būtų galima kreipti įstrižo pjūvio matuokliu arba palei kreiptuvą.** Turintis daug ataugų, deformuotas ar susuktas ruošinys yra nestabilus, pjūvis gali tapti nesulygiuotas su pjovimo disku, sulinkti ir sukelti atatranką.

i) **Niekada nepjaukite kelių vertikaliai ar horizontaliai sukrautų ruošinių.** Pjovimo diskas gali sugriebti vieną ar daugiau dalių ir sukelti atatranką.

j) **Iš naujo paleidę pjūklą su pjovimo disku ruošinyje, dėkite jį prapjovos viduryje ir įsitikinkite, kad pjūklų dantukai neliečia ruošinio.** Jei pjovimo diskas įstrigo, jis gali pakelti ruošinį ir sukelti atatranką iš naujo įjungus pjūklą.

k) **Pasirūpinkite, kad pjovimo diskai būtų švarūs, aštrūs ir tinkamai nustatyti. Niekada nenaudokite deformuotų pjovimo disko arba diskų su įskilusiais ar lūžusiais dantukais.** Aštrūs ir tinkamai nustatyti pjovimo diskai sumažins sulinkimo, užstrigimo ir atatrankos tikimybę.

#### 4) Darbo su stalinio pjūklų įspėjimai

a) **Nuimdami stalo įdėklą, keisdami pjovimo diską, reguliuodami skėlimo peilį, apsaugos nuo atatrankos įrenginį ar peilio apsaugą, palikdami mašiną be priežiūros, visada išjunkite stalinį pjūklą ir atjunkite akumulatorius.** Įmdamiesi atsargumo priemonių išvengsite nelaimių.

b) **Niekada nepalikite veikiančio stalinio pjūklų be priežiūros. Išjunkite jį ir nepalikite įrankio, kol jis visiškai nesustos.** Neprižiūrimas pjūklas yra nekontroliuojamas pavojaus šaltinis.

c) **Statykite stalinį pjūklą gerai apšviestoje ir lygioje vietoje, kurioje galite patogiai stovėti ir išlaikyti pusiausvyrą. Pjūklą reikia įrengti pakankamai erdvoje vietoje, kurioje būtų patogų dirbti su turimo dydžio ruošiniu.** Užgriozdintos ir tamsios vietos, nelygios slidžios grindys dažnai yra nelaimingų atsitikimų priežastimi.

d) **Dažnai valykite ir šalinkite pjovimo dulkes po pjūklų stalu ir (arba) dulkių surinkimo įtaisais.** Susikaupusios pjovimo dulės yra degios, jos gali savaime užsidegti.

e) **Stalinis pjūklas turi būti pritvirtintas.** Netinkamai pritvirtintas stalinis pjūklas gali pajudėti arba apvirsti.

f) **Prieš įjungdami stalinį pjūklą nuo stalo nuimkite įrankius, medienos atbraižas ir pan.** Dėmesio atitraukimas ar galima strigtis gali būti pavojingi.

g) **Visada naudokite tinkamo dydžio pjovimo diskus su tinkamos formos (deimanto formos, o ne apvalias) atraminėmis angomis.** Pjovimo diskai, nesutampantys su pjūklų tvirtinimo įranga, išsibalansuos, todėl prarasite įrankio kontrolę.

h) **Niekada nenaudokite apgadintų ar netinkamų pjovimo disko tvirtinimo priemonių, pavyzdžiui, jungių, pjovimo disko veržlių, varžtų ar poveržlių.** Šios tvirtinimo priemonės yra specialiai pritaikytos jūsų pjūklui ir užtikrina saugų bei optimalų jo veikimą.

i) **Niekada nestovėkite stalinio pjūklų, nenaudokite jo kaip kopėčių.** Įrankiui apvirtus arba netyčia prisilietus prie pjovimo įrankio galimi sunkūs sužalojimai.

j) **Patikrinkite, ar pjovimo diskas yra sumontuotas ir sukasi tinkama kryptimi. Su stalinio pjūklų nenaudokite šlifavimo diskų, vielinių šepetėlių ar abrazyvinių diskų.** Netinkamai sumontavus pjovimo diską ar naudojant kitus nei rekomenduojami priedus galimi sunkūs sužalojimai.

#### Kiti saugumo ir darbo nurodymai

Draudžiama pjauti cokolius, raizyti, pjauti lentas išilgai ir atlikti figūrinius pjūvius.

Nešiokite klausos apsaugos priemones. Dėl didelio triukšmo poveikio gali būti pažeidžiama klausos.

Dėvėkite apsaugines priemones. Dirbdami su mašina visada užsidėkite apsauginius akinius. Rekomenduotina dėvėti apsaugines priemones: apsaugos nuo dulkių respiratorius, apsaugines pirštines, kietus batus neslidžiais padais, šalną ir klausos apsaugos priemones.

Darbo metu kylančios dulės dažnai kenkia sveikatai, todėl turėtų nepatekti į organizmą. Naudokite dulkių nusiurbimą, papildomai nešiokite tinkamą apsaugos nuo dulkių kaukę. Kruopščiai pašalinkite, pvz. nusiurbkite, nusėdusias dulkes.

Užtikrinti, kad įrenginys stovėtų stabiliai.

Mes rekomenduojame, prieš pirmą kartą naudojant prietaisą, atidžiai perskaityti naudojimo instrukciją ir išklausti paaikškinimų apie praktinį naudojimą.

Nenaudoti apgadintų ir deformuotų pjūklų diskų.

Naudokite tik taisyklingai pagალstus pjovimo diskus.

Naudokite tik šiame vadove nurodytus medienos apdirbimo diskus, atitinkančius standartą EN 847-1.

Siekiant sumažinti triukšmą, įrankis turi būti pagალstas, o visi triukšmui mažinti skirti elementai (dangčiai ir kt.) turi būti tvarkingai sumontuoti.

Leidžiama naudoti tik tokius įrankius, kurie atitinka normą EN 847-1.

Įrankius transportuoti ir laikyti reikia tam tikslui pritaikytose dėžėse.

Pasirinkite pjaunamą medžiagą tinkamą pjovimo diską.

Būtina neviršyti ant pjovimo disko nurodyto maksimalaus sūkių skaičiaus.

Negalima naudoti iš greitapjūvio plieno pagamintų pjovimo diskų.

Nedėkite šlifavimo diskų!



Liet

Pašalinkite įtempimo raktus. Prieš įjungiant prietaisą visada patikrinkite, ar įtempimo raktai yra pašalinti.

Pastebėjus bet kokius mašinos, taip pat ir saugos įrenginių bei pjovimo disko gedimus, tai reikia tuojau pat pranešti už saugumą atsakingam asmeniui.

Nekiškite rankų į veikiančio įrenginio pavojaus zoną.

Draudžiama išiminti drožles ar nuopjovas, įrenginiui veikiant.

Viršutinį apsauginį gaubtą draudžiama naudoti kaip rankeną transportavimui!

Mašinos transportavimo metu viršutinis apsauginis gaubtas turi uždengti viršutinę pjovimo disko dalį.

Patikrinkite, ar lygiagretaus pjovimo bėgis stovi lygiagrečiai pjovimo diskui.

Pasirūpinti tvarka, kad ant grindų nesimėtų ty medžiagų atliekos: drožlės, nuopjovos.

Net laikantis visų svarbių instrukcijos nurodymų, naudojant įrenginį gali kilti susidaryti pavojus, pvz., dėl: skrendančių dalių, skrendančių įrankio dalių, kai darbo įrankiai sugadinti, triukšmo emisijos, medžio dulkių emisijos.

Prieš atlikdami bet kokius darbus įrenginyje, išimkite keičiamą akumuliatorių.

**DĖMESIO!** Siekdami išvengti trumpojo jungimo sukeltą gaisro pavojų, sužalojimų arba produkto pažeidimų, nekiskite įrankio, keičiamo akumulatoriaus arba įkroviklio į skysčius ir pasirūpinkite, kad į prietaisus arba akumulatorius nepatektų jokių skysčių. Koroziją sukeliantys arba laidūs skysčiai, pvz., sūrus vanduo, tam tikri chemikalai ir balikliai arba produktai, kurių sudėtyje yra baliklių, gali sukelti trumpąjį jungimą.

Keičiamus M18 sistemos akumulatorius kraukite tik „M18“ sistemos įkrovikliais. Nekraukite kitų sistemų akumuliatorių.

Keičiamų akumuliatorių ir įkroviklių nelaikykite atvirai. Laikykite tik sausoje vietoje. Saugokite nuo drėgmės.

## DĖMESIO



Įrenginyje yra mygtuko / tabletės tipo ličio maitinimo elementas. Prarytas ar kaip nors kitaip patekęs į organizmą naujas arba naudotas maitinimo elementas per 2 valandas gali sukelti sunkių vidinių nudegimų ar mirtį. Visada pritvirtinkite maitinimo elemento skyriaus dangtį. Jei dangtis neužsidaro, išjunkite įrenginį, išimkite maitinimo elementą ir padėkite jį vaikams nepasiekiamoje vietoje. Jei manote, kad koks nors asmuo galėjo praryti maitinimo elementą arba jis kaip nors kitaip pateko į organizmą, nedelsdami kreipkitės į gydytoją.

## NAUDOJIMAS PAGAL PASKIRTĮ

Diskinį pjūklą galima naudoti tik medienos ir medžio gaminių pjovimui.

Diskinio pjūklo niekada nenaudokite kitokiems medžiagoms pjauti, nei tai nurodyta naudotojo vadove.

Apvalaus ar netaisyklingo skersinio pjūvio detalių, pavyzdžiui, malkų, pjauti negalima, kadangi pjaunant jų neįmanoma saugiai pritvirtinti. Pjaunant plokščias detales briauna žemyn reikia panaudoti tinkamą pagalbinę atramą apsaugai užtikrinti.

Įpjovimas, skersinis pjovimas, įstrižas ir nuožambus pjovimas naudoant daugiausiai vieną sumontuotą pjovimo diską.

## KITI PAVOJAI

Net ir pagal paskirtį naudojant produktą negalima visiškai išvengti kitų pavojų. Naudojant galimos šios rizikos, todėl naudotojas turėtų atkreipti dėmesį į šiuos dalykus:

- Norint nepažeisti klausos, reikia riboti naudojimo laiką ir dėvėti tinkamą klausos apsaugą.

- Naudotojas turėtų imtis priemonių, kad sumažintų vibracijos poveikį ir riboti naudojimo laiką.

- Būtina dėvėti kvėpavimo apsaugą, siekiant išvengti sveikatai keliamų pavojų, kylančių įkvėpus pjovimo metu atsiradusių dulkių.

## TECHNINIS APTARNAVIMAS

Prieš reguliuodami, valydami ir atlikdami techninę įrenginio priežiūrą išimkite akumuliatorių.

Prieš montuodami ar nuimdami pjūklo geležtę, įrankį nuo elektros maitinimo šaltinio būtina atjunkite.

Būtina reguliariai nuvalyti dulkes. Dėl priešgaisrinės saugos šalinkite pjūklo viduje susikaupusias medžio drožles.

Pakeisti susidėvėjusią stalo plokštę.

Sausu skudurėliu nuvalykite prietaisą ir apsauginį įrenginį.

Įrenginio vėdinimo angos visada turi būti švarios.

Naudokite tik „Milwaukee“ priedus ir „Milwaukee“ atsargines dalis. Dalis, kurių keitimas neaprašytas, leidžiama keisti tik „Milwaukee“ klientų aptarnavimo skyriams (žr. garantiją/klientų aptarnavimo skyrių adresus brošiūroje).

Jei reikia, nurodant įrenginio tipą bei specifikacijų lentelėje esantį numerį, iš klientų aptarnavimo skyriaus arba tiesiai iš Techtronic Industries GmbH, Max-Eyth-Straße 10, 71364 Winnenden, Germany, galima užsisakyti prietaiso surinkimo brėžinius.

## ONE-KEY™

Norėdami daugiau sužinoti apie šio įrenginio funkciją ONE-KEY, žr. su šiuo gaminiu priededamą Trumpąjį žinyną arba eikite į svetainę <http://www.milwaukeetool.com/one-key>

Jūs galite iš „App Store“ arba „Google Play“ į savo išmanųjį telefoną atsisiųsti ONE-KEY programėlę.

Bandyimų rezultatai atitinka mūsų minimalius reikalavimus pagal EN 301 489-1 / EN 301 489-17. Naudojimo patarimų klientui bus pateikiama naudotojo vadove.

## AKUMULIATORIAI

Ilgesnį laiką nenaudotus keičiamus akumuliatorius prieš naudojimą įkraukite.

Aukštesnė nei 50°C temperatūra mažina keičiamų akumuliatorių galią. Venkite ilgesnio saulės ar šilumos šaltinių poveikio.

Įkroviklio ir keičiamo akumulatoriaus jungiamieji kontaktai visada turi būti švarūs.

Kad prietaisas kuo ilgiau veiktų, pasinaudoję juo, iki galo įkraukite akumuliatorius. Ilgesnį laiką nenaudotus keičiamus akumuliatorius prieš naudojimą įkraukite.

Siekiant užtikrinti kuo ilgesnį baterijos tarnavimo laiką, reikėtų ją po atlikto įkrovimo iškart išimti iš įkroviklio.

Bateriją laikant ilgiau nei 30 dienų, būtina atkreipti dėmesį į šias nuorodas: bateriją laikyti sausoje aplinkoje, esant apie 27 °C temperatūrai. Baterijos įkrovimo lygis turi būti nuo 30% iki 50%. „Baterija pakartotinai turi būti įkraunama kas 6 mėnesius.

Sunaudotų keičiamų akumuliatorių nedeginkite ir nemeskite į buitines atliekas. „Milwaukee“ siūlo tausojantį aplinką sudėvėtų keičiamų akumuliatorių tvarkymą, apie tai prekybos atstovo.

Keičiamų akumuliatorių nelaikykite kartu su metaliniais daiktais (trumpojo jungimo pavojus).

Ekstremalių apkrovų arba ekstremalios temperatūros poveikyje iš keičiamų akumuliatorių gali iškėti akumulatoriaus skystis. Išsitiesus akumulatoriaus skystį, tuoj pat nuplaukite vandeniu su muilu. Patekęs į akis, tuoj pat ne trumpiau kaip 10 minučių gausiai skalaukite vandeniu ir tuoj pat kreipkitės į gydytoją.

Į įkroviklį keičiamiems akumuliatoriams įstatymui skirtą vamzdį turi nepatekti jokios metalinės dalys (trumpojo jungimo pavojus).

Alexander Krug / Managing Director  
Įgalios parengti techninius dokumentus.

Techtronic Industries GmbH  
Max-Eyth-Straße 10, 71364 Winnenden, Germany

## APSAUGA NUO AKUMULATORIAUS PERKROVOS

Jeigu akumuliatoriui tenka didelės elektros energijos sąnaudos, pavyzdžiui, ypač dideli sukimo momentai, įstatomo įrankio užstrigimas, staigus sustabdymas arba trumpasis jungimas, elektros įrankis sustabdomas 2 s ir po to pats išsijungia. Norint įrankį pakartotinai įjungti, reikia atleisti jungiklį ir vėl jį įjungti. Dėl ekstremalių apkrovų akumuliatorius gali labai stipriai įkaisti. Tokiu atveju jis išsijungia. Tada akumuliatorių reikia įkvišti į kroviklį, kad jis įsikrautų ir veiktų.

## LIČIO JONŲ AKUMULATORIŲ PERVEŽIMAS

Ličio jonų akumuliatoriams taikomos įstatyminės nuostatos dėl pavojingų krovinių pervežimų.

Šiuos akumuliatorius pervežti būtina laikantis vietinių, nacionalinių ir tarptautinių direktyvų ir nuostatų.

Naudotojai šiuos akumuliatorius gali naudoti savo transporte be jokių kitų sąlygų.

Už komercinį ličio jonų akumuliatorių pervežimą atsako ekspedicijos įmonė pagal nuostatas dėl pavojingų krovinių pervežimo. Pasiruošimo išsiųsti ir pervežimo darbus gali atlikti tik atitinkamai išmokyti asmenys. Visas procesas privalo būti prižiūrimas.

Pervežant akumuliatorius būtina laikytis šių punktų:

Siekiant išvengti trumpųjų jungimų, įsitinkinkite, kad kontaktai yra apsaugoti ir izoliuoti. Atkreipkite dėmesį, kad akumuliatorius pakutes viduje neslidinėtų. Draudžiama pervežti pažeistus arba tekančius akumuliatorius. Dėl detalesnių nurodymų kreipkitės į savo ekspedicijos įmonę.

## CE ATITIKTIES PAREIŠKIMAS

Prisiimdami visą atsakomybę pareiškiame, kad gaminyje, aprašytas „Techniniuose duomenyse“, atitinka taikomus reikalavimus, išdėstytus direktyvoje

2011/65/ES (RoHS)

2006/42/EB

2014/53/ES

ir buvo taikyti šie darnieji standartai

EN 62841-1:2015

EN 62841-3-1:2014+AC:2015+A11:2017

EN 62479:2010

EN 55014-1:2017+A11:2020

EN 55014-2:2015

EN IEC 63000:2018

EN 301 489-1 V2.2.3

EN 301 489-17 V3.1.1

EN 300 328 V2.2.2



Winnenden, 2020-11-11

## SIMBOLIAI



Prieš pradėdami dirbti su prietaisais, atidžiai perskaitykite jo naudojimo instrukciją.



DĖMESIO! ĮSPĖJIMAS! PAVOJUS!



Prieš atlikdami bet kokius darbus įrenginyje, išimkite keičiamą akumuliatorių.



Nešioti klausos apsaugines priemones!

Dėvėti tinkamą apsauginę kaukę nuo dulkių.



Dirbdami su įrenginiu visada nešioti apsauginius akinius.



Lietojiet aizsardzības cimdus!



Rankas laikyti kuo toliau nuo diskinio pjūklų.



Prietaisą galima naudoti tik patalpose, saugoti prietaisą nuo lietaus.



Priedas – neįeina į tiekimo komplektaciją, rekomenduojamas papildymas iš priedų asortimento.



Plokštę su įpjovomis ir stūmimo blokus galima įsigyti iš specializuotų parduotėjų. Naudokite tik kokybiškus priedus.



Elektros prietaisų, baterijų/akumuliatorių šalinti kartu su buitinėmis atliekomis negalima. Elektros prietaisus ir akumuliatorius reikia surinkti atskirai ir atiduoti perdavimo įmonei, kad būtų pašalinti aplinkai saugiu būdu. Vietos valdžios institucijose arba specializuotose prekybos vietose pasidomėkite apie perdavimo ir surinkimo centrus.

Sūkių skaičius laisva eiga



Įtampa



Nuolatinė srovė



Europos atitikties ženklas



Britanijos atitikties ženklas



Ukrainos atitikties ženklas

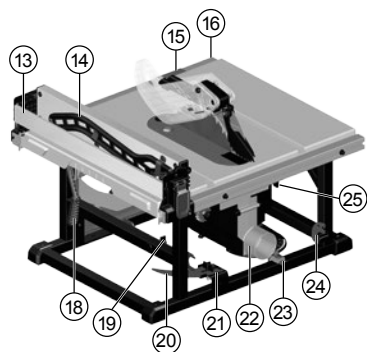
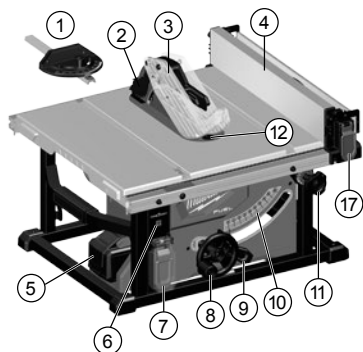


Eurazijos atitikties ženklas



Lietuviškai

| TEHNILISED ANDMED<br>töölauga ketassaag  |  | M18 FTS210                                  |
|--|--|---|
| Tootmisnumber  |  | 4609 60 02...<br>... 000001-999999          |
| Vahetatava aku pinge   |  | 18 V  |
| Pöörlemiskiirus tühijooksul  |  | 6300 min <sup>-1</sup>                      |
| Sagedusriba  |  | 2402-2480 MHz                               |
| Saatevõimsus   |  | 1,8 dBm                                     |
| Saelehe ø x puuri ø  |  | 210 x 30 mm                                 |
| Saeketta kere paksus   |  | max 1,55 mm                                 |
| Saehamba paksus  |  | min 1,8 mm<br>max 2,2 mm                    |
| Max löikesügavus puhul 0 / 45°   |  | 63,5 / 44 mm                                |
| Kaugus paralleeljuhiku ja saeketta vahel max   |  | Vasak<br>Parem<br>310 mm<br>525 mm / 622 mm |
| Kaal vastavalt EPTA-protseduurile 01/2014 (Li-Ion 2,0 Ah ... 12,0 Ah)  |  | 21,2 kg ... 22,3 kg                         |
| Soovituslik keskkonna temperatuur töötamiseks  |  | -18°C ... +50°C                             |
| Soovituslikud akupakid   |  | M18B... / M18HB...                          |
| Soovituslik laadija  |  | M12-18... / M1418 C6                        |
| <b>Müra andmed</b><br>Mõõteväärtused on kindlaks tehtud vastavalt normile EN 62841. Seadme tüüpiline hinnanguline (müratase):<br>Helirõhutase (Määramatus K=3dB(A))<br>Helivõimsuse tase (Määramatus K=3dB(A)) |  | 92,37 dB(A)<br>103,37 dB(A)                 |
| <b>Kandke kaitseks kõrvaklappe!</b>  |  |   |



#### Seadme kirjeldus

- ① Kaldelõiketugi
- ② Tagasilöögivastased pörklingid
- ③ Lõhestusnuga kaitsmega / Kettakaits
- ④ Paralleeljuhik
- ⑤ Aku
- ⑥ ÜHE VÕTME näidik
- ⑦ Toitelüliti / Lülitikate
- ⑧ Kõrguse reguleerimise käsiratas
- ⑨ Seadenurgiku lukustushoob
- ⑩ Seadenurgiku skaala
- ⑪ Juhiku reguleerimise ratas
- ⑫ Tilgasoone plaat / Tilgasoone plaadi riivistus
- ⑬ Väljaulatuv pöördjuhik
- ⑭ Vajutuspulk
- ⑮ Paralleeljuhiku skaala näidik
- ⑯ Paralleeljuhiku skaala
- ⑰ Juhiku riivistused
- ⑱ Juhiku lukk
- ⑲ Saeketta võtme hoiukoht / Saeketta võtme
- ⑳ Lõhestusnuga
- ㉑ Lõhestusnuga / Lõhestusnuga kaitsmega hoiukoht
- ㉒ Tolmurenn
- ㉓ Kaldelõiketugi hoiukoht
- ㉔ Tagasilöögivastased pörklingid hoiukoht
- ㉕ Lõhestusnuga Vabastushoob



**TÄHELEPANU** Lugege kõik seadmega kaasas olevad ohutusjuhised, juhendid, joonised ja andmed läbi.

Ohutusnõuete ja juhiste eiramise tagajärjeks võib olla elektrilöökk, tulekahju ja/või rasked vigastused.

**Hoidke kõik ohutusnõuded ja juhised edasiseks kasutamiseks hoolikalt alles.**



## LAUASAE OHUTUSJUHISED

### 1) Kaitseesadistega seotud hoiatused

a) **Kaitseesadised peavad olema ettenähtud kohtades. Kaitseesadised peavad olema töökorras ja õigesti paigaldatud.** Lahtine, kahjustunud või mittetoimiv kaitseesadist tuleb parandada või välja vahetada.

b) **Kasutage iga lõike tegemisel alati kettakaitset, lõhestusnuga ja tagasilöögivastast seadet.** Läbilõike tegemisel lõikab saeketas läbi kogu detailipaksuse, kaitsekate ja teised kaitseesadised aitavad vältida vigastusohu.

c) **Kinnitage kaitseesüsteem pärast kaitseelemendi, lõhestusnoga ja/või tagasilöögivastase seadme eemaldamist nõudva operatsiooni (nt soone lõikamine) lõpetamist kohe tagasi.** Kaitse, lõhestusnuga ja tagasilöögivastane seade aitavad vältida vigastusohu.

d) **Veenduge enne sisselülitamist, et saeketas ei puutu vastu kaitseelementi, lõhestusnuga või töödeldavat detaili.** Juhuslik kokkupuude nende elementidega võib põhjustada ohtliku olukorra.

e) **Justeerige lõikekiil kasutusjuhendis toodud viisil.** Ebaõige kaugus, paigutus ja joendus võivad muuta lõhestusnoga toime tagasilöögi tõenäosuse vähendamisel ebaefektiivseks.

f) **Selleks et lõhestusnuga ja tagasilöögivastane seade töötaksid, peavad need töödeldava detailiga kokkupuutes olema.** Lõhestusnuga ja tagasilöögivastane seade ei toimi, kui lõigatav detail on liiga lühike, et lõhestusnuga või tagasilöögivastane seade nendega kokkupuutesse ulatuksid. Sellisel juhul ei saa lõhestusnuga ega tagasilöögivastane seade tagasilööki takistada.

g) **Kasutage paigaldatud saeketta jaoks sobivat lõikekiilu.** Selleks et lõhestusnuga korralikult töötaks, peab saeketas olema sobiva läbimõõduga ning saeketta kere peab olema alati õhem kui lõhestusnoga paksus, samuti peab saeketta lõikelaius olema laiem kui lõhestusnoga paksus.

### 2) Lõikeprotseduuri hoiatused



**OHUD:** Ärge kunagi pange sõrmi ega käsi saeketta lähedusse ega selle liikumisaslasse. Käsi võib hetkelise tähelepanematu või komistamise tõttu saekettaga kokkupuutesse sattuda ning selle tagajärjel võivad tekkida rasked kehavigastused.

b) **Andke töödeldavat detaili saekettale ette ainult pöörlemisjuhtimisele vastupidises suunas.** Detaili etteandmine saeketta pöörlemisega samas suunas laua kohal võib kaasa tuua selle et detail ja teie käsi tõmmatakse vastu saekettast.

c) **Ärge kasutage lõhestamise ajal detaili etteandmiseks kunagi kaldlõiketuge ega lõikenurga mõõdikuga lõikamisel paralleeljuhitik pikkusestopperina.** Tööriista juhtimine paralleeljuhitikuga ja kaldlõiketoeaga samal ajal suurendab tõenäosust, et saeketas jääb kinni ja tekib tagasilöökk.

d) **Lõhestamisel rakendage detaili etteandmise jõudu toe ja saeketta vahel. Kasutage lükkamispulka, kui toe ja saeketta vaheline kaugus on alla 150 mm, ning kasutage vajutusplokki, kui kaugus on alla 50 mm.** Need abivahendid hoiavad käed saekettast ohutult kaugusel.

e) **Kasutage üksnes tootja poolt tarnitud või juhistelet vastavat lükkamispulka.** See pulk hoiab käe saekettast piisavalt kaugusel.

f) **Ärge kasutage kahjustunud või lõigatud lükkamispulka.** Kahjustunud lükkamispulka võib puruneda ning põhjustada käe sattumise vastu saekettast.

g) **Ärge tehke ühtki operatsiooni vaba käega. Kasutage detaili paigutamiseks ja juhtimiseks alati kas paralleeljuhitik või kaldlõiketuge.** Vaba käega kasutamise all mõeldakse seda, kui kasutate detaili toetamiseks või juhtimiseks kätt, mitte paralleeljuhitik või kaldlõiketuge. Vaba käega saagimine toob kaasa vale joenduse, kinnijäämise ja tagasilöögi.

h) **Ärge kunagi küünitage pöörleva saeketta ümber või kohal.** Detaili järele küünitamine võib kaasa tuua juhusliku kontakti liikuva saekettaga.

i) **Pikkade ja/või laiade detailide hoidmiseks kasutage täiendavaid tugeid saeketta taga ja/või külgedel.** Pikk ja/või lai detail kipub lauaserval pöörlema, mistõttu kaob juhitudus, tekib saeketta kinnijäämine ja tagasilöökk.

j) **Andke detaili ette ühtlaselt. Ärge painutage ega väänake detaili. Kui saeketas jääb kinni, lülitage seade kohe välja, lahutage tööriist ja kõrvaldage seejärel ummistus.** Saeketta kinnijäämine detaili võib põhjustada tagasilöögi või mootori väljasuremise.

k) **Ärge eemaldage lõigatud materjali tükke töötava saega.** Materjal võib juhiku vahele või kettakaitse ja saeketta vahele kinni jääda ning teie sõrmed vastu saekettast tõmmata. Lülitage saag välja ja oodake, kuni saeketas jääb seisma, enne kui materjali eemaldate.

l) **Üle 2 mm paksuste detailide lõhestamiseks kasutage lisajuhitik, mis oleks tööpinnaga kokkupuutes.** Õhuke detail võib paralleeljuhitiku alla kinni kiiluda ja tagasilöögi põhjustada.

### 3) Tagasilöögi põhjused ja vältimine:

Tagasilöökk on detaili ootamatu reaktsioon kinnijäänud saeketta või viltu läinud lõike korral või kui osa detailist jääb saeketta ja paralleeljuhitiku või muu fikseeritud komponendi vahele kinni.

Kõige sagedamini tõstab saeketta tagumine osa tagasilöögi korral detaili laualt üles ja paiskab operaatore suunas.

Tagasilöökk on tööriista väärkasutamise ja/või valede töövõtete tagajärg. Seda saab vältida, võttes tarvitusele sobivad ettevaatusabinõud, mis on toodud allpool.

a) **Ärge kunagi seiske saekettaga samal joonel. Olge alati saeketta küljel.** Tagasilöökk võib paisata detaili suurel kiirusel isiku pihta, kes seisab saeketta ees või saekettaga samal joonel.

b) **Ärge kunagi küünitage üle saeketta või saeketta taha, et detaili tõmmata või toetada.** Vastasel juhul võite saekettaga kokkupuutesse sattuda või võib tekkida tagasilöökk, mistõttu teie sõrmed satuvad vastu saekettast.

c) **Ärge kunagi hoidke ega vajutage lõigatavat detaili vastu pöörlevat saekettast.** Lõigatava detaili vajutamise vastu saekettast tekib blokeerumistingimuse ja tagasilöögi.



d) **Joondate juhik saekettaga paralleelseks.** Valesti joondate paralleljuhik surub detaili vastu saeketast kinni ja tekitab tagasilöögi.

e) **Kasutage mitteläbivate lõigete tegemisel, näiteks lõhestamisel detaili juhtimiseks vastu lauda ja paralleeljuhikut lisafiksaatorit.**

Lisafiksaator aitab hoida detaili tagasilöögi korral kontrolli all.

f) **Monteeritud detailide pimedates piirkondades lõikamisel olge eriti ettevaatlik.** Etteulatav saeketas võib lõigata komponente, mis tekitavad tagasilöögi.

g) **Toetage suuri plaate, et vähendada saeketta kinnijäämise ja tagasilöögi ohtu.** Suured paneelid kipuvad oma raskuse all rippesse vajuma. Pange tugi või toed paneeli kõigi osade alla, mis ulatuvad üle tööpinna.

h) **Olge eriti ettevaatlik selliste detailide lõikamisel, mis on vändunud, sõlmestunud, kõverad või ilma sirge servata, nii et neid ei saa juhtida kaldlõiketoe abil või mööda paralleelte.** Kõver, sõlmestunud või vändunud detail on ebastabiilne ja tekitab saelõike paigastnihkumise saeketta suhtes, kinnijäämise ja tagasilöögi.

i) **Ärge lõigake vertikaalselt või horisontaalselt vrnastatuna kunagi korraga rohkem kui üht detaili.** Saeketas võib ühte või mitmesse detaili kinni jääda ja tagasilöögi põhjustada.

j) **Kui taaskäivitate sae ja saeketas on detaili sees, tsentrereerige saeketas saelõikes nii, et saehambad ei ole materjalis kinni.** Kui saeketas jääb kinni, võib see detaili üles tõsta ja põhjustada sae taaskäivitamisel tagasilöögi.

k) **Hoidke saekettaid puhtana, teravana ja piisavalt täpse räsaga. Ärge kasutage kõveraid saekettaid ega saekettaid, mille hambad on möranenud või purunenud.** Teravad ja korrektselt räsaga saekettad vähendavad kinnijäämise, mootori väljasuremise ja tagasilöögi ohtu.

#### 4) Lauasae kasutamise alased hoiatused

a) **Lülitage lausaag välja ja lahutage akupakk tilgasoone plaadi eemaldamisel, saeketta vahetamisel ning lõhestusnoa, tagasilöögi vastase seadme või kettakaitse reguleerimisel, samuti seadme juurest lahkumisel.** Ettevaatusabinõud aitavad vältida õnnetusi.

b) **Ärge kunagi jätke töötavat lausaagi järelevalveta. Lülitage saag välja ja ärge lahkuge selle juurest enne, kui see on täielikult seisma jäänud.** Järelevalveta jäetud töötav saag on ohtlik.

c) **Pange lausaag üles hästvalgustatud kohta tasasele pinnale, samuti peate saama paigalduskohas säilitada stabiilse seisuasendi ja tasakaalu. Saag tuleb paigaldada kohta, kus on piisavalt ruumi detailide hõlpsaks käitlemiseks.** Kitsad, pimedad ja libedad paigalduskohad tekitavad õnnetusohu.

d) **Puhastage ja eemaldage sagedasti saelaua alla ja/või tolmukogurisse kogunevat saetolmu.** Ladestuv saetolm on tuleohtlik ja võib iseeneslikult süttida.

e) **Lauasaag tuleb fikseerida.** Korralikult fikseerimata lausaag võib paigast liikuda või ümber minna.

f) **Eemaldage laualt enne lauasae sisselülitamist tööriistad, puidujätmed jms.** Tähelepanu hajumine ja ummistus võivad olla ohtlikud.

g) **Kasutage alati õige suuruse ja völikujuga (teemant vs ümar) saekettaid.** Sae montaažielementidele mittevastavad saekettad lähevad tsentrast välja ning põhjustavad juhitavuse kaotamise.

h) **Ärge kasutage kahjustunud või ebaõigeid saekettaid paigaldamise vahendeid, nagu äärikud, seibid, poldid ja mutrid.** Paigaldusvahendid on spetsiaalselt sae jaoks loodud, et tagada ohutu töö ja optimaalsed tulemused.

i) **Ärge kunagi seiske lauasae peal ega kasutage seda astumiseks.** Kui tööriist läheb ümber või satute kokkupuutesse lõikevahendiga, võivad tagajärjeks olla rasked vigastused.

j) **Veenduge, et saeketas on paigaldatud nii, et see pöörleb õiges suunas. Ärge kasutage lauasaal lihvkettaid ega terasharju.** Saeketta vale paigaldus või mittesoovitatud tarvikute kasutamine võib põhjustada raskeid vigastusi.

#### Edasised ohutus- ja tööjuhised

Soonte freesimine, profiilide lõikamine, jaotussaagimine ja vormimispeaga lõikamine on keelatud.

Kandke kaitseks kõrvaklappe. Müra toime võib põhjustada kuulmiskadu.

Kasutada kaitsevarustust. Masinaga töötamisel kanda alati kaitseprille. Kaitseriitusega soovitatakse kasutada tolmumaski kaitsekindaid, kinniseid ja libisemisvastase tallaga jalanõusid, kiivrit ja kuulmisteede kaitset.

Töötamisel tekkiv tolm on sageli tervistkahjustav ning ei tohiks organismi sattuda. Kasutage tolmüraimemist ning kandke täiendavalt sobivat tolmukaitsemaski. Kogunenud tolm eemaldage põhjalikult, nt imemisega.

Kontrollida tuleb, et seade oleks alati stabiilses asendis.

Enne seadme esmakordset kasutamist on soovitatav kasutamisujuhendit hoolikalt lugeda ning lasta endale praktiliselt käsitemist tutvustada.

Kahjustatud või deformeerunud saekettaid ei tohi kasutada.

Kasutada ainult nõuetekohaselt teritatud saelehti.

Kasutage ainult selles kasutusjuhendis esitatud tootja poolt soovitatud saekettaid, mis vastavad EN 847-1 standardile.

Müra vähendamiseks peab tarvik olema teritatud ja kõik mürasummutuselemendid (katted jmt) nõuetekohaselt seadistatud.

Kasutada tohib vaid tarvikuid, mis vastavad standardile EN 847-1.

Seadet tuleb transportida ja hoida sobivas pakendis;

Lõigatava materjali jaoks valida välja sobiv saeleht.

Pidada kinni saelehele märgitud maksimaalsest pöörete arvust.

Mitte kasutada kiiriloikerestest valmistatud saelehti.

Lihvimiskettaid ei tohi kasutada!

Eemaldage pingutusvõtmel. Kontrollige alati enne seadme sisselülitamist, kas pingutusvõtmed on eemaldatud.

Masina, kaitseesadiste või saelehtede vigadest tuleb kohe nende avastamisel teavitada ohutuse eest vastutavat isikut.

Ärge pange kätt töötava masina ohupiirkonda.

Puru ega pilpaid ei tohi eemaldada masina töötamise ajal.

Ülemist kettakaitset ei tohi kasutada käepidemena seadme transportimiseks!

Seadme transportimise ajal peab ülemine kettakaitse saeketta ülemist osa katma.

Kontrollige, kas paralleellõikejuhk asetseb saekettaga paralleelselt.



Est

Põrand tuleb hoida materjalijääkidest, nt saepurust ja jääk-klotsidest puhas.

Kõikidest asjasepuutuvatest ehitusekirjadest kinnipidamisest hoolimata võib masinaga töötamisel tekkida veel ohte, mille põhjustavad nt:

töödeldava eseme küljest tükide eemalpaiskumine, tööriista osade eemalpaiskumine katkiste tööriistade korral, müraemissioon, puutolmu emissioon.

Enne kõiki töid masina kallal võtke vahetatava aku välja.

**TÄHELEPANU!** Lühisest põhjustatud tuleohtu, vigastuste või toote kahjustuste vältimiseks ärge kaske tööriista, vahetusakut ega laadimiseadet vedelikku ning jälgige, et vedelikke ei tungiks seadmesse ega akusse. Korrodeeruvad või elektrit juhtivad vedelikud, nagu soolvesi, teatud kemikaalid ja pleegitusained või pleegitusaineid sisaldavad tooted, võivad põhjustada lühist.

Laadige süsteemi M18 vahetatavaid akusid ainult süsteemi M18 laadijatega. Ärge laadige nendega teiste süsteemide akusid.

Ärge avage vahetatavaid akusid ega laadijaid ning ladustage neid ainult kuivades ruumides. Kaitske niiskuse eest.

## TÄHELEPANU



See seade sisaldab nõopatareid (liitiumpatarei). Uus või kasutatud patarei võib põhjustada raskeid sisemisi põletusi ja surma vaid 2 tunniga pärast allaneelamist või organismi sattumist. Kinnitage alati akupesaga kate. Kui see ei sulgu turvaliselt, seisake seade, eemaldage patarei ja hoidke seda lastele kättesaamatuks. Kui kahtlustate, et keegi on patarei alla neelanud või see on muul viisil organismi sisenenud, pöörduge kohe arsti poole.

## KASUTAMINE VASTAVAALT OTSTARBELE

Kasutage oma ketassaepinki ainult puidu ja puidutoodete saagimiseks.

Ketassaepinki ei tohi kasutada kunagi muu, kui kasutusjuhendis kirjas oleva materjali lõikamiseks.

Ümara või ebakorrapärase ristlõikega detaile (nt küttepuid) ei tohi saagida, sest need ei püsi saagimisel kindlalt paigal. Kui õhukesti lamedaid detaile saetakse nii, et need on serva peal püsti, tuleb need ohutu töötamise tagamiseks teostada sobiva abitõkisega.

Lõhestamine, ristlõikamine, kaldlõikamine ja faasi lõikamine on lubatud vaid ühe paigaldatud saekettaga.

## JÄÄKOHUD

Isegi toote nõuetekohase kasutamise korral pole võimalik jääkohte täielikult välistada. Kasutamisel võib esineda järgmisi riske, mistõttu peaks operaator järgnevat järgima:

- Kuulmekahjustuste vältimiseks tuleb ekspositsiooniga piirata ja sobivat kuulmekaitset kanda.

- Operaator peaks rakendama meetmeid vibratsioonimõjude vähendamiseks ja ekspositsiooniaja piiramiseks.

- Terviseriskide vältimiseks, mis võivad esineda saetolmu sissehingamisel, tuleb kanda respiraatorit.

## HOOLDUS

Eemaldage akupakk enne seadme reguleerimist, puhastamist ja hooldust.

Enne saeketta kinnitamist või eemaldamist veenduge, et sae toide on lahti ühendatud.

Eemaldage regulaarselt tolm. Tuleohtu vältimiseks eemaldage sae sisemusse kogunenud saepuru.

Kulunud lauakaitse tuleb asendada.

Puhastage seadet ja kaitseseadist kuiva lapiga.

Hoidke masina õhutuspilud alati puhtad.

Kasutage ainult Milwaukee tarvikuid ja Milwaukee tagavaraosi. Detailid, mille väljavahetamist pole kirjeldatud, laske välja vahetada Milwaukee klienditeeninduspunktis (vaadake brošüüri garantii / klienditeeninduste aadressid).

Vajaduse korral võite tellida seadme läbilõikejoonise, näidates ära masina tüübi ja andmesildil oleva numbriga. Selleks pöörduge klienditeeninduspunkti või otse: Techtronic Industries GmbH, Max-Eyth-Straße 10, 71364 Winnenden, Germany.

## ONE-KEY™

Lisateabe saamiseks selle seadme ONE-KEY funktsiooni kohta lugege tootega kaasas olevat lühijuhendit või külastage veebilehte <http://www.milwaukee.com/one-key>

ONE-KEY rakenduse saate App Store või Google Play kaudu oma nutitelefonile alla laadida.

Katsetulemus täidab meie miinimumnõudeid EN 301 489-1 / EN 301 489-17 järgi. Klient saab kasutusjuhiseid lugeda kasutusjuhendist.

## AKUD

Pikemat aega mittekasutatud akusid laadige veel enne kasutamist.

Temperatuur üle 50 °C vähendab vahetatava aku töövõimet. Vältige pikemat soojenemist päikese või kütteseadme mõjul.

Hoidke laadija ja vahetatava aku ühenduskontaktid puhtad.

Optimaalse patarei eluaega tagamiseks, pärast kasutamist lae patarei plokki täielikult. Pikemat aega mittekasutatud akusid laadige veel enne kasutamist.

Akud tuleks võimalikult pika kasutusea saavutamiseks pärast täislaadimist laadijast välja võtta.

Aku ladustamisel üle 30 päeva: Ladustage akut kuivas kohas u 27°C juures. Ladustage akut u 30-50% laetusseisundis. Laadige aku iga 6 kuu tagant täis.

Ärge visake tarvitatud vahetatavaid akusid tulle ega olmeprügisse. Milwaukee pakub vanade akude keskkonnahoidlikku käitlust; palun küsige oma erialaselt tarnijalt.

Ärge säilitage vahetatavaid akusid koos metallesemetega (lühiseht).

Äärmuslikul koormusel või äärmuslikul temperatuuril võib kahjustatud vahetatavast akut akuedelik välja voolata. Akuedelikuga kokkupuutumise korral peske kohe vee ja seebiga. Silma sattumise korral loputage kiiresti põhjalikult vähemalt 10 minutit ning pöörduge viivitamatult arsti poole.

Laadijal olevasse vahetatava aku ühenduskambrisse ei tohi sattuda metalloosi (lühiseht).

## AKU KOORMUSKAITSE

Kui akumulaatorid on ülekoormatud liiga suure energiakulu tõttu, näiteks, liiga suurte pöörete korral, kinnikiilunud seadme, äkilise seiskumise või lühühenduse korral instrument seiskub 2 sekundiks ja lülitub ise välja. Uuesti sisse lülitamiseks tuleb päästik esmalt vabastada ning seejärel uuesti alla suruda. Ülisuurel koormusel võib aku kuumeneda kõrgete temperatuurideni. Sellisel juhul lülitub aku välja. Aku tuleb laadimiseks ja taasaktiveerimiseks sisestada laadimiseadmesse.



Est

## LIITIUMIOONAKUDE TRANSPORTIMINE

Liitiumioonakud on allutatud ohtlike ainete transportimisega seonduvatele õigusaktidele.

Nende akude transportimine peab toimuma kohalikest, sise-riiklikest ja rahvusvahelistest eeskirjadest ning määrustest kinni pidades.

Tarbijad tohivad neid akusid edasiste piiranguteta tänaval transportida.

Liitiumioonakude kommertstransport ekspedeerimisettevõtete kaudu on allutatud ohtlike ainete transportimisega seonduvatele õigusaktidele. Tarne-ettevalmistusi ja transporti tohivad teostada eranditult vastavalt koolitatud isikud. Kogu protsessi tuleb asjatundlikult jälgida.

Akude transportimisel tuleb järgida järgmisi punkte:

Tehke kindlaks, et kontaktid on lühiste vältimiseks kaitsitud ja isoleeritud. Pöörake tähelepanu sellele, et akupakk ei saaks pakendis nihkuda. Kahjustatud või välja voolanud akusid ei tohi kasutada. Pöörduge edasiste juhiste saamiseks ekspedeerimisettevõtte poole.

## EÜ VASTAVUSAVALDUS

Kinnitame oma ainuvastutusel, et „Tehniliste andmete“ all kirjeldatud toode vastab direktiivide kõigile asjakohastele sätetele 2011/65/EU (RoHS)

2006/42/EÜ

2014/53/EU

ning täidetud on järgmiste ühtlustatud standardite nõuded.

EN 62841-1:2015

EN 62841-3-1:2014+AC:2015+A11:2017

EN 62479:2010

EN 55014-1:2017+A11:2020

EN 55014-2:2015

EN IEC 63000:2018

EN 301 489-1 V2.2.3

EN 301 489-17 V3.1.1

EN 300 328 V2.2.2



Winnenden, 2020-11-11

Alexander Krug / Managing Director

On volitatud koostama tehnilist dokumentatsiooni.

Techtronic Industries GmbH

Max-Eyth-Straße 10, 71364 Winnenden, Germany

## SÜMBOLID



Palun lugege enne käiklaskmist kasutamisujuhend hoolikalt läbi.



ETTEVAATUST! TÄHELEPANU! OHUD!



Enne kõiki töid masina kallal võtke vahetatav aku välja.



Kandke kaitseks kõrvalkappe!

Kanda sobivat kaitsemaski.



Masinaga töötades kandke alati kaitseprille.



Kanda kaitsekindaid!



Mitte kunagi ei tohi panna käsi saeketta piirkonda.



Seade sobib ainult ruumides kasutamiseks, ärge jätke seadet vihma kätte.



Tarvikud - ei kuulu tarne komplekti, soovitatav täiendus on saadaval tarvikute programmis.



Lisafiksaatorit ja vajutusplokket saab osta vastavatest kauplustest.



Elektriseadmeid, patareisid/akusid ei tohi utiliseerida koos majapidamisprügiga. Elektriseadmed ja akud tuleb eraldi kokku koguda ning kõrvaldada keskkonnasõbralikul moel töötlemiskeskusesse. Küsige infot jäätmeäitlusjaamade ja kogumispunktide kohta oma kohalike ametnike või edasimüüja käest.

n<sub>0</sub>

Pöörlemiskiirus tühijooksul

V

Pinge



Alalisvool



Euroopa vastavusmärk



Ühendkuningriigi vastavusmärk



Ukraina vastavusmärk

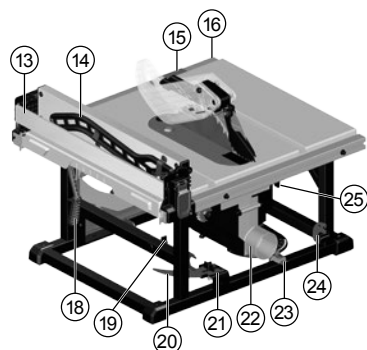
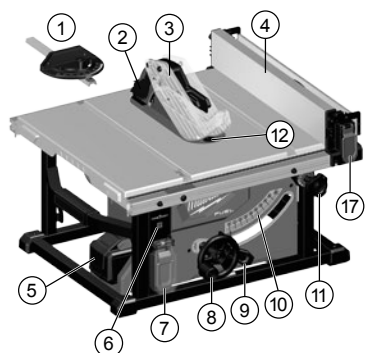


Euraasia vastavusmärk





| ТЕХНИЧЕСКИЕ ДАННЫЕ  |  | M18 FTS210                             |
|---|--|--|
| Круглопильный станок с рабочим столом   |  |  |
| Серийный номер изделия  |  | 4609 60 02...<br>... 000001-999999     |
| Вольтаж аккумулятора  |  | 18 V                                   |
| Число оборотов без нагрузки   |  | 6300 min <sup>-1</sup>                 |
| диапазон частот   |  | 2402-2480 MHz                          |
| мощность радиоизлучения   |  | 1,8 dBm                                |
| Диаметр диска пилы x диаметр отверстия  |  | 210 x 30 mm                            |
| Толщина диска пилы  |  | макс. 1,55 mm                          |
| Толщина зубца   |  | мин. 1,8 mm<br>макс. 2,2 mm            |
| Макс. Глубина пиления при 0 / 45°   |  | 63,5 / 44 mm                           |
| Расстояние между направляющей планкой и лезвием пилы макс.  |  | Слева 310 mm<br>Справа 525 mm / 622 mm |
| Вес согласно процедуре ЕРТА 01/2014 (Li-Ion 2,0 Ah ... 12,0 Ah)   |  | 21,2 kg ... 22,3 kg                    |
| Температура окружающей среды, рекомендованная для эксплуатации  |  | -18°C ... +50°C                        |
| Рекомендованные аккумуляторные блоки  |  | M18B... / M18NB...                     |
| Рекомендованные зарядные устройства   |  | M12-18... / M1418 C6                   |
| <b>Информация по шумам</b>  |  |  |
| Значения замерялись в соответствии со стандартом EN 62841. Уровень шума прибора, определенный по показателю A, обычно составляет: |  |  |
| Уровень звукового давления (Небезопасность K=3dB(A))  |  | 92,37 dB(A)                            |
| Уровень звуковой мощности (Небезопасность K=3dB(A))   |  | 103,37 dB(A)                           |
| <b>Пользуйтесь приспособлениями для защиты слуха.</b>   |  |  |



#### Описание устройства

- ① Приспособление для резки под углом
- ② Устройство защиты от отскока
- ③ Расклинивающий нож с предохранителем / Защитный кожух лезвия
- ④ Направляющая планка
- ⑤ Аккумулятор
- ⑥ Индикатор ONE KEY
- ⑦ Выключатель питания / Кожух выключателя
- ⑧ Маховик регулировки высоты
- ⑨ Рычаг блокировки наклона
- ⑩ Шкала угла наклона
- ⑪ Диск регулировки параллельного упора
- ⑫ Защитная плита / Стопор защитной плиты
- ⑬ Откидывающаяся планка
- ⑭ Направляющая линейка
- ⑮ Шкала резания индикатор
- ⑯ Шкала резания
- ⑰ Стопоры планки
- ⑱ Блокиратор планки
- ⑲ Гаечный ключ для лезвия хранение / Гаечный ключ для лезвия
- ⑳ Расклинивающий нож
- ㉑ Расклинивающий нож / Расклинивающий нож с предохранителем хранение
- ㉒ Воронка для пыли
- ㉓ Приспособление для резки под углом хранение
- ㉔ Устройство защиты от отскока хранение
- ㉕ Расклинивающий нож рычаг разжимания

**⚠ ВНИМАНИЕ** Ознакомьтесь с правилами техники безопасности, техническими регламентами, изображениями и данными, прилагаемыми к устройству. Упущения, допущенные при не соблюдении указаний и инструкций по технике безопасности, могут стать причиной электрического поражения, пожара и тяжелых травм. Сохраняйте эти инструкции и указания для будущего использования.

## **⚠ ИНСТРУКЦИЯ ПО БЕЗОПАСНОЙ ЭКСПЛУАТАЦИИ НАСТОЛЬНОЙ ПИЛЫ**

### **1) Меры предосторожности, касающиеся защитных кожухов**

- а) Защитные кожухи должны быть на месте. Они должны быть в рабочем состоянии и правильно установлены.** Неплотно прилегающий, поврежденный или неправильно функционирующий защитный кожух подлежит ремонту или замене.
- б) При проведении любых работ по распиливанию насквозь обязательно используйте защитный кожух лезвия, расклинивающий нож и устройство защиты от отскока.** Во время работ по распиливанию, когда лезвие пилы проходит заготовку насквозь, защитные кожухи и другие защитные устройства помогают снизить риск травмы.
- в) После проведения тех видов работ, которые требуют снятия защитного кожуха, расклинивающего ножа и/или устройства защиты от отскока (например, прорезание канавок), немедленно верните их на место.** Защитный кожух, расклинивающий нож и устройство защиты от отскока помогают снизить риск травмы.
- г) Перед включением пилы убедитесь, что лезвие пилы не касается защитного кожуха, расклинивающего ножа или заготовки.** Случайное прикосновение к ним лезвия пилы может создать опасную ситуацию.
- д) Установите распорный клин согласно описанию в руководстве по эксплуатации.** Неправильно установленные расстояние, положение и выравнивание могут привести к тому, что расклинивающий нож не сможет полностью выполнить свою функцию по снижению риска отскока.
- е) Для обеспечения надлежащего функционирования расклинивающего ножа и устройства защиты от отскока они должны иметь возможность воздействия на заготовку.** При распиле слишком коротких заготовок расклинивающий нож и устройство защиты от отскока неэффективны, так как не могут воздействовать на них. В этих условиях расклинивающий нож и устройство защиты от отскока неспособны предупредить отскок.
- ж) Применяйте распорный клин, отвечающий используемому пыльному полотну.** Для обеспечения надлежащего функционирования расклинивающего ножа диаметр лезвия пилы должен совпадать с соответствующим расклинивающим ножом, толщина диска пилы должна быть меньше толщины расклинивающего ножа, а ширина реза пилы должна превышать толщину расклинивающего ножа.

### **2) Меры предосторожности во время разрезания**

- а) ⚠ ОПАСНОСТЬ: Ни в коем случае не помещайте пальцы или кисти рук поблизости от лезвия пилы или вдоль него.** Если вы отвлечетесь всего на секунду или пила соскользнет с траектории, ваша рука может оказаться в контакте с лезвием пилы, следствием чего может стать серьезная травма.
- б) Подавайте заготовку на лезвие пилы только в направлении, противоположном его вращению.** Если вы будете подавать заготовку в том же направлении, в котором вращается лезвие пилы над столом, то это может привести к тому, что заготовку — а значит и вашу руку — затянет в пилу.
- в) Ни в коем случае не подавайте заготовку на лезвие пилы при помощи приспособления для резки под углом при продольной резке и не используйте направляющую планку в качестве ограничителя длины при поперечной резке с приспособлением для резки под углом.** Направление заготовки при помощи одновременно направляющей планки и приспособления для резки под углом повышает риск застревания лезвия пилы и отскока.
- г) Подавая заготовку на лезвие пилы во время продольной резки, всегда направляйте заготовку в промежуток между планкой и лезвием пилы. Если расстояние между планкой и лезвием пилы менее 150 мм, воспользуйтесь направляющей линейкой или, если это расстояние менее 50 мм — направляющим брусом.** Устройства-«помощники» будут удерживать вашу руку на безопасном расстоянии от лезвия пилы.
- д) Пользуйтесь только направляющей линейкой, предоставленной производителем или сконструированной согласно инструкции.** Направляющая линейка будет удерживать кисть руки на достаточном расстоянии от лезвия пилы.
- е) Ни в коем случае не пользуйтесь направляющей линейкой, если она повреждена или разрезана.** Поврежденная направляющая линейка может сломаться, вследствие чего ваша рука попадет на лезвие пилы.
- ж) Ни в коем случае не работайте «голыми руками.** Для выравнивания и направления заготовки всегда пользуйтесь либо направляющей планкой, либо приспособлением для резки под углом. Работа «голыми руками» означает поддержание или направление заготовки при помощи рук, а не направляющей планки или приспособления для резки под углом. При распиливании «голыми руками» есть риск соскальзывания, застревания или отскока.
- з) Никогда не помещайте руки в пространство вокруг вращающегося лезвия пилы или над ним.** Если вы протянете руку, чтобы коснуться заготовки, то можете случайно коснуться вращающегося лезвия пилы.
- и) Обеспечивайте дополнительную поддержку длинных и/или широких заготовок сзади и/или по бокам стола, чтобы держать их на одном уровне.** Длинные и/или широкие заготовки могут начать крутиться на краю стола, что приведет к потере контроля, застреванию лезвия пилы и отскоку.

ж) **Подавайте заготовку равномерно. Не сгибайте и не крутите заготовку. Если лезвие заклинило в заготовке, немедленно выключите инструмент, отключите его от сети питания и после этого устранив заклинивание.** Заклинивание лезвия пилы в заготовке может вызвать отскок или остановку двигателя.

к) **Не пытайтесь удалить куски отрезанного материала во время работы пилы.** Материал может застрять между планкой и лезвием или внутри защитного кожуха лезвия, затянув таким образом ваши пальцы на лезвие. Перед удалением материала выключите пилу и дождитесь ее остановки.

л) **При продольной резке заготовок менее 2 мм толщиной воспользуйтесь дополнительной защитной планкой.** Тонкая заготовка может застрять под направляющей планкой и вызвать отскок.

### 3) Причины и предотвращение обратного удара:

Отскок представляет собой внезапную реакцию заготовки на зажимание, заклинивание или смещение лезвия пилы внутри заготовки, а также на застревание части заготовки между лезвием пилы и направляющей планкой или другим неподвижным объектом.

В большинстве случаев при отскоке заготовка поддается с поверхности стола задней частью лезвия пилы и летит, вращаясь, в сторону пользователя.

Обратный удар является следствием неправильного или ошибочного использования пилы. Он может быть предотвращен соответствующими мерами предосторожности, описанными ниже.

а) **Никогда не стойте на одной линии с лезвием пилы. Вставайте только с той стороны лезвия пилы, где находится защитная планка.** При отскоке заготовка может на большой скорости полететь в сторону любого, кто стоит впереди или на одной линии с лезвием пилы.

б) **Пытаясь вынуть или поддержать заготовку, ни в коем случае не помещайте руки в область над лезвием пилы или за ним.** В этом случае может произойти случайное прикосновение к лезвию пилы или возникнуть отскок, вследствие чего ваши пальцы могут затянуть внутрь лезвия пилы.

в) **Ни в коем случае не пытайтесь удерживать и прижимать разрезаемую заготовку в вращающемся лезвию пилы.** Прижимая разрезаемую заготовку к вращающемуся лезвию пилы, вы создаете риск его застревания и отскока.

г) **Выворачивайте планку параллельно с лезвием пилы.** В случае смещения планки заготовку прижмет к лезвию пилы и возникнет отскок.

д) **При выполнении несквозных распилов, например при прорезании канавок, направляйте заготовку в сторону стола и планки при помощи гребенчатого прижима.**

Гребенчатый прижим поможет удержать контроль над заготовкой в случае отскока.

е) **Будьте особенно осторожны при распиливании слепых зон сборных заготовок.** Выступающее лезвие пилы может разрезать предметы, вызывая таким образом отскок.

г) **Для крупных панелей лучше предусмотреть опору, чтобы минимизировать риск зажимания и отскока.** Крупные панели часто прогибаются под собственным весом. Опору(-ы) нужно размещать под всеми частями панели, которые свисают со стола.

г) **Будьте особенно осторожны при распиле скрученных, сучковатых, деформированных или не имеющих ровных краев заготовок: их необходимо подавать при помощи приспособления для резки под углом или вдоль планки.** Деформированные, сучковатые или скрученные заготовки неустойчивы и вызывают смещение лезвия в пропиле, застревание лезвия и отскок.

и) **Ни в коем случае не распилывайте одновременно несколько заготовок, штабелированных вертикально или горизонтально.** Пила может захватить один или несколько кусков древесины и создать отскок.

ж) **Вновь запуская пилу, лезвие которой уже находится внутри заготовки, отцентрируйте лезвие пилы в пропиле, так чтобы зубья пилы не были погружены внутрь материала.** Застывшее лезвие может приподнять заготовку и вызвать отскок при повторном включении пилы.

з) **Лезвия пилы должны быть чистыми, острыми и правильно настроенными. Ни в коем случае не пользуйтесь лезвиями, если они деформированы или имеют треснувшие или сломанные зубья.** Острые и правильно настроенные лезвия сводят к минимуму риск застревания, внезапного останова или отскока.

### 4) Меры предосторожности при эксплуатации настольной пилы

а) **При удалении пластины для пропила, замене лезвия или настройке расклинивающего ножа, устройства защиты от отскока или защитного кожуха лезвия, а также при оставлении без надзора выключайте настольную пилу и отсоединяйте аккумуляторную батарею.** Принятие мер предосторожности позволит избежать инцидентов.

б) **Ни в коем случае не оставляйте работающую настольную пилу без надзора. Выключите ее и не оставляйте до тех пор, пока она полностью не остановится.** Работающая пила, оставленная без надзора, представляет собой неконтролируемый источник опасности.

в) **Устанавливайте настольную пилу в хорошо освещенном, ровном месте, где вы сможете устойчиво стоять, соблюдая баланс. Пилу следует устанавливать там, где есть достаточно пространства для удобного маневрирования заготовкой вашего размера.** Ограниченные, плохо освещенные места, а также места с неровным скользким полом будут создавать риски для возникновения инцидентов.

г) **Регулярно проводите уборку и очистку области под столом и/или пылесборника от опилок.** Большие скопления опилок являются легко воспламеняющимся и самовозгорающимся материалом.

д) **Настольная пила должна быть прочно закреплена.** Плохо закрепленная настольная пила может сдвинуться или опрокинуться.



- f) **Перед включением настольной пилы уберите со стола инструменты, древесные отходы и т.п.** Потеря бдительности или заклинивание могут иметь опасные последствия.
- g) **Пользуйтесь только лезвиями с отверстиями пильного вала подходящих размеров и форм (ромбовидными или круглыми).** Лезвия пилы, не совпадающие с установочной фурнитурой пилы, будут идти со смещением, что вызовет потерю контроля.
- h) **Ни в коем случае не пользуйтесь поврежденной или ненадлежащей установочной фурнитурой пилы, в том числе фланцами, шайбами, болтами или гайками.** Надлежащая фурнитура специально предназначена для того, чтобы гарантировать безопасность работы и оптимальный уровень производительности вашей пилы.



- i) **Никогда не ставьте на настольную пилу и не используйте ее как стул-стремянку.** Опрокидывание инструмента или случайный контакт с режущим инструментом может повлечь за собой серьезную травму.
- j) **Устанавливайте лезвие пилы так, чтобы оно вращалось в нужном направлении. Не устанавливайте на настольную пилу точильные или шлифовальные круги, а также металлические щетки.** Ненадлежащая установка лезвия пилы или использование не рекомендованных для нее принадлежностей могут стать причиной получения серьезной травмы.

#### **Дополнительные указания по безопасности и работе**

Облицовка панелями, шпунтование, продольный раскрой и опрессовка запрещены.

Используйте наушники! Воздействие шума может привести к потере слуха.

Пользоваться средствами защиты. Работать инструментом всегда в защитных очках. Рекомендуется спецдежда: пылезазщитная маска, защитные перчатки, прочная и нескользящая обувь, каска и наушники.

Пыль, образующаяся при работе с данным инструментом, может быть вредна для здоровья и попасть на тело. Пользуйтесь системой пылеудаления и надевайте подходящую защитную маску. Тщательно убирайте скапливающуюся пыль (напр. пылесосом).

Удостоверьтесь в том, что машина всегда имеет надежное положение.

Прежде чем пользоваться инструментом, пожалуйста, прочтите инструкцию. Если возможно попросите продемонстрировать как работать с инструментом.

Не используйте поврежденные или деформированные пильные диски.

Применяйте только пильные диски, заточенные надлежащим образом.

Используйте только лезвия для деревообработки, указанные в настоящем руководстве и соответствующие стандарту EN 847-1.

Чтобы минимизировать шум при работе, необходимо затачивать инструменты надлежащим образом установить все шумопоглощающие элементы (защитные крышки и т.п.).

Используйте только тот инструмент, который соответствует требованиям EN 847-1.

Инструменты должны перевозиться и храниться в подходящем контейнере.

Выберите пригодное для разрезаемого материала пильное полотно.

Соблюдайте максимальное число оборотов, указанное на пильном диске.

Не применяйте какие-либо пильные диски из быстрорежущей стали.

Не использовать шлифовальные круги!

Удалите зажимные ключи. Перед каждым включением устройства проверьте, удалены ли зажимные ключи.

В случае обнаружения дефектов в станке, включая защитное устройство или пильные полотна, сообщите об этом немедленно ответственному лицу.

Никогда не касайтесь опасной режущей зоны в момент работы.

Не убирайте опилки и обломки при включенном инструменте.

Верхний защитный кожух не должен использоваться как рукоятка для переноски инструмента!

Во время транспортировки инструмента верхний защитный кожух должен закрывать верхнюю часть пильного диска.

Проверьте, расположена ли параллельная направляющая для реза параллельно диску пилы.

Удаляйте с пола остатки материала, например, опилки и стружку.

Даже при выполнении всех технических условий эксплуатации станка может быть связана с определенными опасностями, обусловленными:

вылетом частей обрабатываемого материала, вылетом деталей инструмента при его повреждении, шумовой нагрузкой, образованием древесной пыли.

Выньте аккумулятор из машины перед проведением с ней каких-либо манипуляций.

**ВНИМАНИЕ!** Для предотвращения опасности пожара в результате короткого замыкания, травм и повреждения изделия не опускайте инструмент, сменный аккумулятор или зарядное устройство в жидкости и не допускайте попадания жидкостей внутрь устройств или аккумуляторов. Коррозионные и проводящие жидкости, такие как соленый раствор, определенные химикаты, отбеливающие средства или содержащие их продукты, могут привести к короткому замыканию.

Для зарядки аккумуляторов модели M18 используйте только зарядным устройством M18. Не заряжайте аккумуляторы других систем.

Никогда не вскрывайте аккумуляторы или зарядные устройства и храните их только в сухих помещениях. Следите, чтобы они всегда были сухими.

#### **ВНИМАНИЕ**



Устройство использует кнопочный/плоский круглый литиевый аккумулятор. Новый или использованный аккумулятор может вызвать сильные внутренние ожоги и привести к смерти в течение 2 часов в случае проглатывания или попадания в организм. Всегда закрепляйте крышку аккумуляторного отсека. Если она не закрывается надежно, остановите устройство, извлеките аккумулятор и храните его в недоступном для детей месте. Если вы считаете, что человек проглотил аккумулятор или что аккумулятор иным образом попал в организм, обратитесь за экстренной медицинской помощью.

## ИСПОЛЬЗОВАНИЕ

Используйте циркулярную пилу только для распиливания дерева и деревянных изделий.

Не используйте циркулярную пилу для отрезания материалов, не указанных в руководстве по эксплуатации.

Распиловка заготовок с круглым или неправильным поперечным сечением (напр., дров) запрещена, так как при распиловке их нельзя надежно удерживать. При распиловке плоских заготовок по ребру для надежного направления следует использовать подходящий дополнительный упор.

Продольная и поперечная распиловка, резка под углом и в наклоне могут производиться не более чем одним установленным лезвием пилы.

## ОСТАТОЧНЫЕ ОПАСНОСТИ

Даже при надлежащем использовании изделия невозможно полностью исключить остаточные опасности. При использовании могут возникать указанные ниже риски, поэтому пользователь должен соблюдать следующие пункты:

- Чтобы предотвратить повреждения органов слуха, необходимо ограничить время экспозиции и использовать подходящие средства защиты.

- Пользователь должен принять меры для сокращения воздействия вибрации и ограничения времени экспозиции.

- Для предотвращения риска для здоровья, который может возникнуть из-за вдыхания пыли, образующейся при распиловке, необходимо использовать респиратор.

## ОБСЛУЖИВАНИЕ

Перед началом любых работ по настройке, очистке или техническому обслуживанию устройства извлеките аккумулятор.

Отключите инструмент от питающей сети перед установкой или снятием режущего полотна.

Регулярно удаляйте пыль. Во избежание возгорания удаляйте скопившиеся внутри станка опилки.

Заменяйте изношенные прокладки, укладываемые на стол.

Очищать прибор и защитное устройство с помощью сухой салфетки.

Всегда держите охлаждающие отверстия чистыми.

Пользуйтесь аксессуарами и запасными частями Milwaukee. В случае возникновения необходимости в замене, которая не была описана, обращайтесь в один из сервисных центров по обслуживанию электроинструментов Milwaukee (см. список сервисных организаций).

При необходимости может быть заказан чертеж инструмента с трехмерным изображением деталей. Пожалуйста, укажите номер и тип инструмента и закажите чертеж у Ваших местных агентов или непосредственно у Techtronic Industries GmbH, Max-Eyth-Strasse 10, 71364 Winnenden, Germany.

## ONE-KEY™

Чтобы узнать больше о технических возможностях ONE-KEY данного устройства, обратитесь к краткому руководству пользователя, поставляемому с изделием, или пройдите по ссылке <http://www.milwaukeeool.com/one-key>

Вы можете загрузить приложение ONE-KEY на свой смартфон через App Store или Google Play.

Результат испытания соответствует нашим минимальным требованиям согласно EN 301 489-1 / EN 301 489-17. Мы предоставляем заказчику инструкции по эксплуатации в руководстве пользователя.

## АККУМУЛЯТОР

Перед использованием аккумулятора, которым не пользовались некоторое время, его необходимо зарядить.

Температура свыше 50°C снижает работоспособность аккумуляторов. Избегайте продолжительного нагрева или прямого солнечного света (риск перегрева).

Контакты зарядного устройства и аккумуляторов должны содержаться в чистоте.

Для обеспечения оптимального срока службы аккумулятор необходимо полностью заряжать после использования прибора. Перед использованием аккумулятора, которым не пользовались некоторое время, его необходимо зарядить.

Для достижения максимально возможного срока службы аккумуляторы после зарядки следует вынимать из зарядного устройства.

При хранении аккумулятора более 30 дней: Храните аккумулятор при 27°C в сухом месте. Храните аккумулятор с зарядом примерно 30% - 50%. Каждые 6 месяцев аккумулятор следует заряжать.

Не выбрасывайте использованные аккумуляторы вместе с домашним мусором и не сжигайте их. Дистрибьюторы компании Milwaukee предлагают восстановление старых аккумуляторов, чтобы защитить окружающую среду.

Не храните аккумуляторы вместе с металлическими предметами во избежание короткого замыкания.

Аккумуляторная батарея может быть повреждена и дать течь под воздействием чрезмерных температур или повышенной нагрузки. В случае контакта с аккумуляторной кислотой немедленно промойте место контакта мылом и водой. В случае попадания кислоты в глаза промойте глаза в течение 10 минут и немедленно обратитесь за медицинской помощью.

Не допускается попадания каких-либо металлических предметов в аккумуляторный отсек зарядного устройства во избежание короткого замыкания.

## ЗАЩИТА АККУМУЛЯТОРА ОТ ПЕРЕГРУЗКИ

При перегрузке аккумулятора слишком сильным током, например, вследствие слишком большого крутящего усилия, заклинивания электроинструмента, внезапной остановки или короткого замыкания электроинструмент останавливается в течение 2 секунд и отключается самостоятельно. Для повторного включения следует отжать кнопку включения и потом снова включить. При предельно высоких нагрузках аккумулятор может сильно нагреться. В этом случае аккумулятор отключится. Чтобы снова зарядить и активировать аккумулятор, подключите его к зарядному устройству.



РУС

## ТРАНСПОРТИРОВКА ЛИТИЙ-ИОННЫХ АККУМУЛЯТОРОВ

Литий-ионные аккумуляторы в соответствии с предписаниями закона транспортируются как опасные грузы.

Транспортировка этих аккумуляторов должна осуществляться с соблюдением местных, национальных и международных предписаний и положений.

Эти аккумуляторы могут перевозиться по улице потребителем без дальнейших обязательств.

При коммерческой транспортировке литий-ионных аккумуляторов экспедиторскими компаниями действуют положения, касающиеся транспортировки опасных грузов. Подготовка к отправке и транспортировка должны производиться исключительно специально обученными лицами. Весь процесс должен находиться под контролем специалиста.

При транспортировке аккумуляторов необходимо соблюдать следующие пункты:

Убедитесь, что контакты защищены и изолированы во избежание короткого замыкания. Следите за тем, чтобы аккумуляторный блок не соскользнул внутри упаковки. Транспортировка поврежденных или протекающих аккумуляторов запрещена. За дополнительными указаниями обратитесь к своему экспедитору.



## ДЕКЛАРАЦИЯ О СООТВЕТСТВИИ СТАНДАРТАМ ЕС

Мы несем исключительную ответственность за то, что изделие, описанное в разделе «Техническая информация» соответствует всем применимым положениям директив 2011/65/EU (RoHS) 2006/42/EC 2014/53/EU а также следующим согласованным стандартам

EN 62841-1:2015  
EN 62841-3-1:2014+AC:2015+A11:2017  
EN 62479:2010  
EN 55014-1:2017+A11:2020  
EN 55014-2:2015  
EN IEC 63000:2018  
EN 301 489-1 V2.2.3  
EN 301 489-17 V3.1.1  
EN 300 328 V2.2.2



Winnenden, 2020-11-11

Alexander Krug / Managing Director  
Уполномочен на составление технической документации.  
Techtronic Industries GmbH  
Max-Eyth-Straße 10, 71364 Winnenden, Germany

## СИМВОЛЫ



Пожалуйста, внимательно прочтите инструкцию по использованию перед началом любых операций с инструментом.



**ВНИМАНИЕ! ПРЕДУПРЕЖДЕНИЕ! ОПАСНОСТЬ!**



Выньте аккумулятор из машины перед проведением с ней каких-либо манипуляций.



Пользуйтесь приспособлениями для защиты слуха.

Надевайте противопылевой респиратор.



При работе с инструментом всегда надевайте защитные очки.



Надевать защитные перчатки!



Никогда не протягивайте руки в область пыльного полотна.



Устройство может использоваться только внутри помещений. Не допускается оставлять устройство под дождем.



Принадлежности – в стандартную комплектацию не входит, поставляется в качестве дополнительной принадлежности.



У специализированных дилеров можно приобрести гребенчатый прижим и направляющие бруски. Рекомендуем пользоваться только принадлежностями высокого качества.



Электроприборы, батареи/аккумуляторы запрещено утилизировать вместе с бытовым мусором.

Электрические приборы и аккумуляторы следует собирать отдельно и сдавать в специализированную компанию для утилизации в соответствии с нормами охраны окружающей среды. Получите в местных органах власти или у вашего специализированного дилера сведения о центрах вторичной переработки и пунктах сбора.

**n<sub>0</sub>**

Число оборотов без нагрузки

**V**

Вольт пост. тока



Постоянный ток



Европейский знак соответствия



Британский знак соответствия



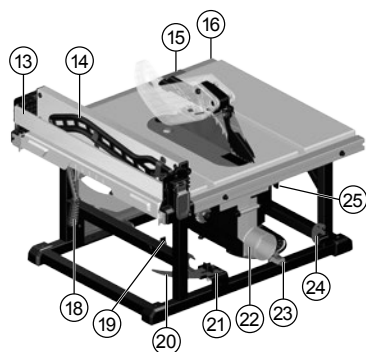
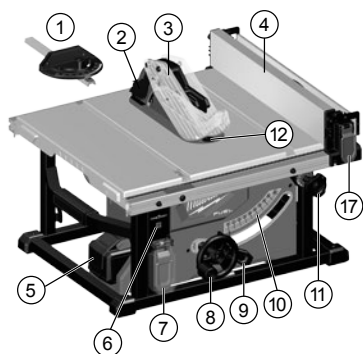
Украинский знак соответствия



Евразийский знак соответствия



| ТЕХНИЧЕСКИ ДАННИ  |                                    | M18 FTS210                |
|---|------------------------------------|---------------------------|
| Стационарен циркуляр  |                                    |                           |
| Производствен номер   | 4609 60 02...<br>... 000001-999999 |                           |
| Напрежение на акумулатора   | 18 V                               |                           |
| Обороти на празен ход   | 6300 min <sup>-1</sup>             |                           |
| Радиочестотна лента   | 2402-2480 MHz                      |                           |
| Радиочестотна мощност   | 1,8 dBm                            |                           |
| Ø на режещия диск х Ø на отвора   | 210 x 30 mm                        |                           |
| Дебелина на тялото на режещия диск  | макс. 1,55 mm                      |                           |
| Дебелина на зъбците   | мин. 1,8 mm<br>макс. 2,2 mm        |                           |
| Максимална Дълбочина на рязане при 0 / 45°  | 63,5 / 44 mm                       |                           |
| Разстояние между паралелния водач и режещия диск макс.  | Отляво<br>Отдясно                  | 310 mm<br>525 mm / 622 mm |
| Тегло съгласно процедурата ЕРТА 01/2014 (Li-Ion 2,0 Ah ... 12,0 Ah)                                   | 21,2 kg ... 22,3 kg                |                           |
| Препоръчителна температура на околната среда при експлоатация   | -18°C ... +50°C                    |                           |
| Препоръчителни акумулаторни батерии   | M18B... / M18HB...                 |                           |
| Препоръчителни зарядни устройства   | M12-18... / M1418 C6               |                           |
| <b>Информация за шума</b>   |                                    |                           |
| Измерените стойности са получени съобразно EN 62841. Оцененото с А ниво на шума на уреда е съответно: |                                    |                           |
| Равнище на звуковото налягане (Несигурност K=3dB(A))  | 92,37 dB(A)                        |                           |
| Равнище на мощността на звука (Несигурност K=3dB(A))  | 103,37 dB(A)                       |                           |
| <b>Да се носи предпазно средство за слуха!</b>  |                                    |                           |



#### Описание на устройството

- ① Ъглов водач
- ② Палци против откат
- ③ Разцепващ клин с предпазител / Предпазител на режещия диск
- ④ Паралелен водач
- ⑤ Акумулаторна батерия
- ⑥ Индикатор ONE KEY
- ⑦ Ключ за стартиране / Капак на ключа за стартиране
- ⑧ Ръчно колело за регулиране на височината
- ⑨ Лост за фиксиране на наклона на среза
- ⑩ Скала за наклона на среза
- ⑪ Колело за регулиране на преградата
- ⑫ Прорезна плоча / Резе на прорезната плоча
- ⑬ Разгъваща се удължаваща преграда
- ⑭ Бутащ прът
- ⑮ Индикатор на скалата за рязане -0
- ⑯ Индикатор на скалата за рязане
- ⑰ Резета за преградата
- ⑱ Лост за заключване на преградата
- ⑲ Гаечен ключ за смяна на режещия диск Място за съхранение на гаечния ключ за смяна на режещия диск / Гаечен ключ за смяна на режещия диск
- ⑳ Разцепващ клин
- ㉑ Разцепващ клин / Разцепващ клин с предпазител Място за съхранение на гаечния ключ за смяна на режещия диск
- ㉒ Изход за изхвърляне на прах



- 23) Ъглов водач Място за съхранение на гаечния ключ за смяна на режещия диск
- 24) Палци против откат Място за съхранение на гаечния ключ за смяна на режещия диск
- 25) Разцепващ клин Лост за освобождаване

**⚠ ВНИМАНИЕ** Прочетете всички указания за безопасност, инструкции, изображенията и техническите данни, които получавате с уреда. Пропуски при спазването на указанията и на инструкциите за безопасност могат да доведат до токов удар, пожар и/или тежки наранявания. **Запазете всички указания и инструкции за безопасност за бъдещето.**

## ⚠ ИНСТРУКЦИИ ЗА БЕЗОПАСНОСТ ПРИ РАБОТА С НАСТОЛЕН ЦИРКУЛЯР

### 1) Предупреждения за безопасност

- a) **Не отстранявайте предпазните устройства. Те трябва да са в изправност и да бъдат монтирани правилно.** Разхлабено, повредено или неправилно работещо предпазно устройство следва да бъде поправено или подменено.
- b) **Винаги използвайте предпазителя на режещия диск, разцепващия клин и противооткатното устройство при всяка операция за пълно разрязване.** При пълно разрязване, когато режещият диск прерязва изцяло работния детайл, предпазителят и другите устройства за обезопасяване спомагат за намаляване на риска от нараняване.
- c) **Веднага поставете обратно предпазните устройства след приключване на операция (напр. изрязването на жлеб), която налага свалянето на предпазителя, разцепващия клин и/или противооткатното устройство.** Предпазителят, разцепващият клин и противооткатното устройство спомагат за намаляване на риска от нараняване.
- d) **Преди да включите машината, се уверете, че режещият диск не влиза в досег с предпазителя, разцепващия клин или работния детайл.** Случайният досег на тези елементи с режещия диск може да предизвика опасност.
- e) **Настройвайте разтварящия клин по начина, описан в ръководството за експлоатация.** Недостатъчното отстояние, неправилното поставяне и подравняване могат да направят разцепващия клин безполезен при намаляване вероятността от откат.
- f) **За да могат разцепващият клин и противооткатното устройство да сработят, те трябва да се врежат в работния детайл.** Разцепващият клин и противооткатното устройство са безполезни, когато режете работни детайли, които са твърде къси, за да се врежат в тях разцепващият клин и противооткатното устройство. При такива условия разцепващият клин и противооткатното устройство не могат да предотвратят отката.
- g) **Използвайте подходящ за режещия диск разтварящ клин.** За да може разцепващият клин да си върши работата, диаметърът на режещия диск трябва да отговаря на този на

разцепващия клин, тялото на режещия диск да бъде по-тънко от ширината на разцепващия диск, а ширината нарязане на режещия диск трябва да бъде по-голяма от ширината на разцепващия клин.

### 2) Предупреждения по време нарязане

- a) **⚠ ОПАСНОСТ: Никога не поставяйте пръстите или ръцете си в близост до режещия диск или успоредно на него.** Достатъчен е миг невнимание или плъзване и ръката Ви може да бъде увлечена към режещия диск и да се стигне до сериозно нараняване.
- b) **Подавайте работния детайл към режещия диск само по посока обратна на тази на въртенето му.** Подаването на работния детайл по посока равна с тази на въртенето на диска над плота може да доведе до увеличаване на детайла и на ръката Ви към режещия диск.
- c) **Никога не използвайте ъглов водач, за да подавате работния детайл, когато бичите, и не използвайте паралелния водач като ограничител на дължината, когато извършвате напречно рязане с ъгловия водач.** Воденето на работния детайл едновременно с паралелния водач и с ъгловия водач увеличава вероятността от заклещване на режещия диск и от откат.
- d) **Когато бичите, винаги прилагайте силата на подаване на работния детайл между преградата и режещия диск.** Използвайте бутач прът, когато разстоянието между преградата и режещия диск е по-малко от 150 мм, и бутач блок, когато разстоянието е по-малко от 50 мм. Тези помагачи при работата устройства ще държат ръката Ви на безопасно разстояние от режещия диск.
- e) **Използвайте единствено предоставения от производителя бутач прът или такъв, който е изработен според указанията.** Бутачият прът позволява ръката да стои на достатъчно разстояние от режещия диск.
- f) **Никога не използвайте повреден или срязан бутач прът.** Повреденият бутач прът може да се счупи и да накара ръката Ви да се плъзне към режещия диск.
- g) **Никога не работете със „свободни ръце“.** Винаги използвайте или паралелен водач, или ъглов водач, за да позиционирате и водите работния детайл. Със „свободни ръце“ означава да ползвате ръцете си за опора или за водене на работния детайл, вместо да ползвате паралелен водач или ъглов водач. Рязането със „свободни ръце“ води до неправилно подравняване, заклещване и откат.
- h) **Никога не се пресягайте в близост до или над въртящ се режещ диск.** Пресягането за да вземете работен детайл може да доведе до случаен досег с въртящия се режещ диск.
- i) **Когато работите с дълги или широки работни детайли, за да ги държите във водоравно положение, подпирайте опора за задния край и/или за страните на плота.** Дългите и/или широки работни детайли могат да се олюляват при ръба на плота, което може да доведе до загуба на контрол и оттам до заклещване на режещия диск и до откат.
- j) **Подавайте работния детайл равномерно. Не огъвайте и не усуквайте работния детайл. Ако се получи приклевване, веднага изключете циркуляра, извадете захранващия кабел и едва тогава почистете**



**приклещването.** Приклещването на работния детайл от режещия диск може да причини откат или да причини спиране на мотора поради претоварване.

**к) Не отстранявайте парчета отрязан материал, докато циркулярът работи.** Възможно е материалът да се заклеши между преградата или вътре в предпазителя на режещия диск и дискът да дръпне пръстите Ви към себе си. Изключете циркуляра и изчакайте режещия диск да спре напълно, преди да отстранявате материал.

**l) Използвайте допълнителна преграда, която се опира в повърхността на плота, когато бичите работни детайли с дебелина под 2 мм.** Тънкият работен детайл може да се вклини под паралелния водач и да предизвика откат.

**3) Причини за възникване на откат и начини на предотвратяването му:**

Откатът е внезапна реакция на работния детайл, предизвикана от приклевен или задръстен режещ диск или неправилно подравнена линия на разреза в работния детайл по отношение на режещия диск, или когато част от работния детайл се заклеши между режещия диск и паралелния водач или друг неподвижен предмет.

При откат най-често работният детайл бива вдигнат от плота от задния край на режещия диск и бива запретен към оператора. Откатът е резултат от неправилното използване и/или боравене с електроинструмента. Чрез взимането на подходящи предпазни мерки, както е описано по-долу, той може да бъде предотвратен.

- а) Никога не стойте успоредно на режещия диск. Винаги заставяйте така, че тялото Ви да бъде от същата страна на режещия диск като преградата.** При отката работният детайл може да бъде запретен с висока скорост към васеи, който стои пред режещия диск или успоредно на него.
- б) Никога не се пресягайте над режещия диск или зад него, за да издръпвате или поддържате работния детайл.** Може да се получи случен досет с режещия диск или откатът да притегли пръстите Ви към режещия диск.
- в) Никога не натискайте работния детайл, който режете, към въртящия се режещ диск.** Натискането на работния детайл към режещия диск ще предизвика условия за заклещване и откат.
- д) Подравнете преградата така, че да е паралелна на режещия диск.** Недобре подравнената преграда ще приклеши работния детайл към режещия диск и това ще предизвика откат.
- е) Използвайте притискателни палци, за да водите работния детайл срещу плота и преградата, когато правите непрекъсващи разрези, като например изработването на канал.** Притискателните палци помагат за управлението на работния детайл в случай на откат.
- ф) Бъдете особено внимателни, когато режете части от повърхността на сглобени работни детайли, които не виждате.** Стърчащия режещ диск може да пререже предмети, които да предизвикат откат.
- г) Укрепвайте големите плоскости, за да сведете до минимум опасността от прищипване на режещия диск**

**и от откат.** Големите плоскости имат склонност да провисват под собствената си тежест. Опората/опорите трябва да бъдат поставени под всички части на плочата, която режете, които стърчат извън работния плот.

- h) Бъдете особено внимателни, когато режете работен детайл, който е усукан, има чепове или няма прав ръб, по който да бъде воден с ъглов водач или по дължината преградата.** Усуканите и изкривени работни детайли или такива с чепове са нестабилни и причиняват лошо подравняване на прореза с режещия диск, заклещване и откат.
- и) Никога не режете повече от един работен детайл едновременно, без значение дали са поставени отвесно, или водоравно.** Възможно е режещият диск да захване едно или повече парчета и това да предизвика откат.
- j) При повторно пускане на циркуляра със забит в работния детайл режещ диск, центрирайте режещия диск в прореза така, че зъбците да не са впити в материала.** Ако режещият диск се приклеши, той може да преобърне работния детайл и да произведе откат при повторното пускане на циркуляра.
- к) Поддържайте режещите дискове чисти и заточени и се уверете, че са достатъчно на брой. Никога не използвайте усукани режещи дискове или такива с напукани или счупени зъбци.** Заточените и правилно поставените режещи дискове свеждат до минимум приклещването, отката и спирането на мотора поради претоварване.

**4) Предупреждения при работа с настолния циркуляр**

- а) Изключете настолния циркуляр и свалете акумулаторната батерия, като изваждате вложката на плота, сменяте режещия диск, сменяте или регулирате разцепващия клин, регулирате противооткатното устройство или предпазното устройство на режещия диск, както и когато оставяте машината без надзор.** Предпазните мерки ще Ви помогнат да избегнете нещастни случаи.
- б) Никога не оставяйте циркуляра да работи без надзор.** Изключете го и останете при него, докато не спре напълно. Оставеният без надзор работещ циркуляр представлява опасност.
- в) Поставете настолния циркуляр в добре осветена помещение в равен под, по който можете да стъпвате здраво и лесно да пазите равновесие.** Настолният циркуляр трябва да бъде поставен на място, на което има достатъчно пространство за работа с работните детайли. Пренаселените работни пространства, слабоосветените такива и неравният и хлъзгав под са предпоставка за нещастни случаи.
- д) Регулярно почиствайте и отстранявайте дървените стърготини, които се събират под плота на циркуляра и/или в устройството за прахоулавяне.** Насъбралите се дървени стърготини могат да се самовъзпламенят.
- е) Настолният циркуляр трябва да бъде здраво закрепен.** Недобре закрепеният циркуляр може да се отмести или прекутури.

f) **Преди да включите циркуляра, отстранете всички инструменти и отпадъчни дървесни частици от плата.** Разсейването или евентуалното заклещване на материал може да бъде опасно.

g) **Винаги използвайте режещи дискове с правилен размер и форма на въртящата ос (кръгла спрямо многоостена).** Режещи дискове, чиито характеристики не отговарят на тези на елементите за закрепване към циркуляра, могат да бият встрани при въртене, а това да доведе до загуба на контрол.

h) **Никога не използвайте повредени или неправилни средства за закрепване на режещия диск, като например фланци, шайби, болтове или гайки.** Тези средства за закрепване са проектирани специално за Вашия трион и гарантират безопасната му и ефикасна работа.

i) **Никога не стойте върху плата на циркуляра и не го използвайте като стълба.** При прекатурване на циркуляра или при случаен досег с режещия диск може да се стигне до сериозно нараняване.

j) **Уверете се, че режещият диск е монтиран така, че да се върти в правилата посока. Не използвайте точилни кръгове, телени четки или абразивни кръгове върху настолен циркуляр.** Неправилният монтаж на режещия диск или използването на непоръчителни аксесоари може да доведе до сериозни наранявания.

### Допълнителни указания за работа и безопасност

Забранено е изрязването на канали и улеи, както и повторното рязане и рязането с оформяща глава.

Носете средство за защита на слуха. Шумът може да доведе до загуба на слуха.

Да се използват предпазни средства. При работа с машината винаги носете предпазни очила. Препоръчват се защитно облекло и прахозащитна маска, защитни ръкавици, здрави и нехлъзгащи се обувки, каска и предпазни средства за слуха.

При работа на открито или когато в машината могат да попаднат влага или прах, се препоръчва уредът да се свързва чрез защитен прекъсвач за утечен ток с максимално 30 mA ток на действие.

Уверете се, че машината винаги е стабилно разположена.

Препоръка: преди първото използване на уреда внимателно прочетете упътването за експлоатация и помолете да Ви инструктират как на практика се работи с уреда.

Не използвайте листовے на трион, които са повредени или деформирани.

Да се използват само правилно заточени режещи дискове.

Използвайте само режещи дискове за дърво, обозначени в това ръководство, които съответстват на EN 847-1.

За да се намали до минимум шума инструментът трябва да е заточен и всички елементи за намаляване на шума (капацити и т.н.) трябва да бъдат регулирани правилно.

Използвайте само инструменти, които отговарят на EN 847-1.

Инструментите трябва да бъдат транспортирани и съхранявани в подходяща кутия;

Изберете режещ диск, подходящ за материала, който ще се реже.

Да се спазва максималната честота на въртене, посочена на режещия диск.

Да не се използват режещи дискове, изработени от бързорежеща стомана.

Моля не използвайте шлифовъчни дискове!

Отстранете гаечния ключ. Преди включване на уреда контролирайте непрекъснато, дали са отстранени гаечните ключове.

За дефекти на машината, включително на предпазителя или на режещите дискове, трябва да се съобщава на лицето, отговорно за безопасността, веднага след като бъдат открити.

Не бъркайте в зоната на опасност на работещата машина.

Стружки или отчупени парчета да не се отстраняват, докато машина работи.

Горният предпазител не бива да бъде използван за носене!

Во време транспортировки инструмента верхний защитный кожух должен закрывать верхнюю часть пильного диска.

Контролирайте, дали паралелограмния механизъм се намира паралелно към циркуляра.

Почиствайте пода от остатъци от материал - например стърготини и остатъци от рязането.

Въпреки спазването на строителните изисквания при работа на машината могат да възникнат допълнителни опасности, напр. породи:

разпръскване на части от детайла, разпръскване на части от детайла при повредени инструменти, шумови емисии, замърсяване от дървесен прах.

Преди започване на каквито е да работи по машината извадете акумулатора.

**ВНИМАНИЕ!** За да избегнете опасността от пожар, предизвикана от късо съединение, както и нараняванията и повредите на продукта, не потапяйте инструмента, сменяемата акумулаторна батерия или зарядното устройство в течности и се погрижете в уредите и акумулаторните батерии да не попадат течности. Течностите, предизвикващи корозия или провеждащи електричество, като солена вода, определени химикали, изобелващи вещества или продукти, съдържащи изобелващи вещества, могат да предизвикат късо съединение.

Акумулатори от системата M18 да се зареждат само със зарядни устройства от системата M18 laden. Да не се зареждат акумулатори от други системи.

Не отваряйте акумулатори и зарядни устройства и ги съхранявайте само в сухи помещения. Пазете ги от влага.

### ВНИМАНИЕ



Това устройство се захранва с клетъчна литиева батерия от тип кочче. Както новите, така и използваните батерии могат да причинят тежки вътрешни изгаряния и доведат до смърт за не повече от 2 часа след поглъщане или попадане в тялото. Винаги проверявайте дали капачето на батерията е добре затворено. Ако не се затваря добре, спрете устройството, извадете батерията и я дръжте далече от деца. Ако мислите, че някой може да е погълнал батерията или че тя е попаднала в тялото по друг начин, потърсете незабавна медицинска помощ.



**БЪЛ**

## ИЗПОЛЗВАНЕ ПО ПРЕДНАЗНАЧЕНИЕ

Използвайте циркуляра само за рязане на дърво и дървени продукти.

Никога не използвайте циркуляра за рязане на други материали, освен на тези, които са посочени в ръководството за обслужването му.

Материали с кръгъл или неравномерен разрез (например дърва за огрев) не трябва да бъдат рязани, тъй като при рязане не разполагат със стабилна опора. При вертикално рязане на плосък дървен материал следва да се използва подходящ помощен ограничител за сигурно направляване.

Не се допуска извършването на разрязване, напречно рязане, рязане под ъгъл и изрязване на фаски при използване на повече от един режещ диск.

## ОСТАТЪЧНИ РИСКОВЕ

Дори и при правилна употреба на продукта не всички остатъчни рискове могат да бъдат напълно избегнати. Следните рискове могат да възникнат при употребата, поради което работещият с уреда трябва да спазва следното:

- За да се избегнат увреждания на слуха, да се ограничи максимално времето на работа с уреда и да се носи подходяща защита на ушите.

- Препоръчва се работещият с уреда да предприеме мерки за намаляване на ефектите от вибрацията и да ограничи времето на работа с уреда.

- Да се носи защитна маска, за да се избегнат рисковете за здравето, които могат да възникнат от вдишването на стърготини.

## ПОДДРЪЖКА

Преди да настройвате, почиствате и извършвате дейности по поддръжката на уреда, извадете батерията.

Уверете се, че инструментът е с прекъснато електрическо захранване, преди да поставяте или сваляте режещия диск.

Почиствайте редовно праха. Почиствайте стърготините, които се събират във вътрешността на циркуляра, за да не допуснете опасност от пожар.

Сменете износената подложка за маса.

Почиствайте уреда и предпазното съоръжение със суха кърпа.

Вентилационните шлицы на машината да се поддържат винаги чисти.

Да се използват само аксесоари на Milwaukee и резервни части на Milwaukee. Елементи, чията подмяна не е описана, да се дадат за подмяна в сервиз на Milwaukee (вижте брошурата „Гаранция и адреси на сервизи“).

При необходимост можете да поискате за уреда от Вашия сервиз или директно от Techtronic Industries GmbH, Max-Eyth-Strasse 10, 71364 Winnenden, Germany, чертеж за в случай на експлозия, като посочите типа на машината и номер върху заводската табелка.

## ONE-KEY™

За да научите повече за функционалността ONE KEY на този уред, прочетете приложеното кратко ръководство или ни посетете в интернет на <http://www.milwaukee.com/one-key>. Можете да изтеглите ONE KEY приложението на Вашия смартфон от App Store или Google Play.

Резултатът от изпитванията отговаря на нашите минимални изисквания съгласно EN 301 489-1 / EN 301 489-17. На клиента ще бъдат предоставени указания за експлоатация в ръководството за употреба.

## АКУМУЛАТОРИ

Акумулатори, които не са ползвани по-дълго време, преди употреба да се дозаредят.

Температура над 50°C намалява мощността на акумулатора. Да се избягва по-продължително нагряване на слънце или от отопление.

Поддържайте чисти присъединителните контакти на зарядното устройство и на акумулатора.

За оптимална продължителност на живот след употреба батериите трябва да се заредят напълно. Акумулатори, които не са ползвани по-дълго време, преди употреба да се дозаредят.

За възможно по-дълга продължителност на живот батериите трябва да се изваждат от уреда след зареждане.

При съхранение на батериите за повече от 30 дни: съхранявайте батерията при прибл. 27°C и на сухо място. Съхранявайте батерията при 30 до 50 % от заряда. Зареждайте батерията на всеки 6 месеца.

Не изхвърляйте изхабените акумулатори в огъня или в битовите отпадъци. Milwaukee предлага екологосъобразно събиране на старите акумулатори; моля попитайте Вашия специализиран търговец.

Не съхранявайте акумулаторите заедно с метални предмети (опасност от късо съединение).

При екстремно натоварване или екстремна температура от повредени акумулатори може да изтече батерийна течност. При допир с такава течност веднага измийте с вода и сапун. При контакт с очите веднага изплаквайте старателно най-малко 10 минути и незабавно потърсете лекар.

В гнездото за акумулатори на зарядните устройства не бива да попадат метални части (опасност от късо съединение).

## ЗАЩИТА ОТ ПРЕТОВАРВАНЕ НА БАТЕРИЯТА

Електроинструментът спира за 2 секунди и се изключва автоматично при претоварване на батерията чрез много висока консумация на енергия, причинена например от изключително висок въртящ момент, заклиняване на работния инструмент, внезапно спиране или късо съединение. За да го включите повторно, освободете превключвателя и след това включете уреда. При извънредни натоварвания акумулаторът може да се нагрее силно. В този случай акумулаторът изключва. Тогава акумулаторът да се включи към зарядното устройство, за да се дозареди и активира.



**БЪЛ**

## ПРЕВОЗ НА ЛИТИЕВО-ЙОННИ БАТЕРИИ

Литиево-йонните батерии са предмет на законовите разпоредби за превоз на опасни товари.

Превозът на тези батерии трябва да се извършва в съответствие с местните, националните и международните разпоредби и регламенти.

Потребителите могат да превозват тези батерии по пътя без допълнителни изисквания.

Превозът на литиево-йонни батерии от транспортни компании е предмет на законовите разпоредбите за превоз на опасни товари. Подготовката на превоза и самият превоз трябва да се извършват само от обучени лица. Целият процес трябва да е под професионален надзор.

Спазвайте следните изисквания при превоз на батерии:

Уверете се, че контактите са защитени и изолирани, за да се избегне късо съединение. Уверете се, че няма опасност от разместване на батерията в опаковката. Не превозвайте повредени батерии или такива с течове. Обърнете се към Вашата транспортна компания за допълнителни инструкции.

## СЕ - ДЕКЛАРАЦИЯ ЗА СЪОТВЕТСТВИЕ

Ние декларираме, изцяло на наша отговорност, че продуктът, описан в „Технически данни“, съответства на всички необходими изисквания на директивите

2011/65/EC (RoHS)

2006/42/EO

2014/53/EC

и че са използвани следните хармонизирани стандарти

EN 62841-1:2015

EN 62841-3-1:2014+AC:2015+A11:2017

EN 62479:2010

EN 55014-1:2017+A11:2020

EN 55014-2:2015

EN IEC 63000:2018

EN 301 489-1 V2.2.3

EN 301 489-17 V3.1.1

EN 300 328 V2.2.2



Winnenden, 2020-11-11

Alexander Krug / Managing Director

Упълномощен за съставяне на техническата документация

Techtronic Industries GmbH

Max-Eyth-Straße 10, 71364 Winnenden, Germany

## СИМВОЛИ



Преди пускане на уреда в действие моля прочетете внимателно инструкцията за използване.



**ВНИМАНИЕ! ПРЕДУПРЕЖДЕНИЕ! ОПАСНОСТ**



Преди започване на каквито е да е работи по машината извадете акумулатора.



Да се носи предпазно средство за слуха!

Да се носи подходяща прахозащитна маска.



При работа с машината винаги носете предпазни очила.



Да се носят предпазни ръкавици!



Внимавайте ръцете Ви да не попаднат в обсега на листа на триона.



Уредът е подходящ за използване само в помещения. Да не се излага на дъжд.



Акcesoари - Не се съдържат в обема на доставката, препоръчвано допълнение от програмата за акcesoари.



Притискателни палци и бутващи блокове могат да бъдат закупени от специализираните магазини. Използвайте само висококачествени акcesoари.



Електрическите уреди, батерии/аккумуляторни батерии не трябва да се изхвърлят заедно с битовите отпадъци. Електрическите уреди и акумулаторни батерии трябва да се събират отделно и да се предават на службите за рециклиране на отпадъците според изискванията за опазване на околната среда. Информирайте се при местните служби или при местните специализирани търговци относно местата за събиране и централите за рециклиране на отпадъци.

**n<sub>0</sub>**

Обороти на празен ход

**V**

Напрежение



Постоянен ток



Европейски знак за съответствие



Британски знак за съответствие



Украински знак за съответствие

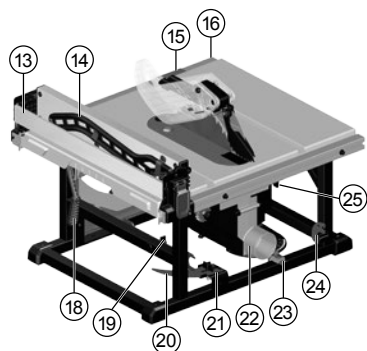
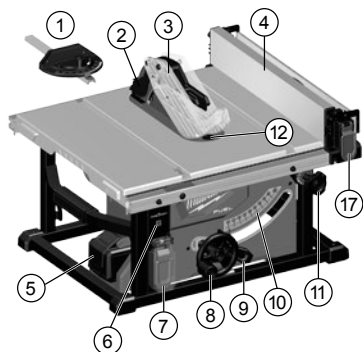


Евро-азиатски знак за съответствие



**БЪЛ**

| DATE TEHNICE   |                                    | M18 FTS210                  |
|--|------------------------------------|-----------------------------|
| <b>Ferestrău circular cu masă</b>  |                                    |                             |
| Număr producție  | 4609 60 02...<br>... 000001-999999 |                             |
| Tensiune acumulator  | 18 V                               |                             |
| Viteza de mers în gol  | 6300 min <sup>-1</sup>             |                             |
| Banda de frecvențe   | 2402-2480 MHz                      |                             |
| Puterea de radiofrecvență  | 1,8 dBm                            |                             |
| Diametru lamă x diametru orificiu  | 210 x 30 mm                        |                             |
| Grosimea pânzei fierăstrăului  | max. 1,55 mm                       |                             |
| Grosimea dinților pânzei fierăstrăului   | min. 1,8 mm<br>max. 2,2 mm         |                             |
| Adâncime max de tăiere la 0 / 45°  | 63,5 / 44 mm                       |                             |
| Distanța între bara de despicare și pânza fierăstrăului max.   | Stânga<br>Dreapta                  | 310 mm<br>525 mm / 622 mm   |
| Greutatea conform „EPTA procedure 01/2014” (Li-Ion 2,0 Ah ... 12,0 Ah)   | 21,2 kg ... 22,3 kg                |                             |
| Temperatură ambientală recomandată pentru funcționare  | -18°C ... +50°C                    |                             |
| Seturi de baterii recomandate  | M18B... / M18HB...                 |                             |
| Încărcător de baterii recomandat   | M12-18... / M1418 C6               |                             |
| <b>Informație privind zgomotul</b><br>Valori măsurate determinate conform EN 62841. Nivelul de zgomot evaluat cu A al aparatului este tipic de:<br>Nivelul presiunii sonore (Nesiguranță K=3dB(A))<br>Nivelul sunetului (Nesiguranță K=3dB(A)) |                                    | 92,37 dB(A)<br>103,37 dB(A) |
| <b>Purtați căști de protecție</b>  |                                    |                             |



#### Descrierea dispozitivului

- ① Scala de tăiere oblică
- ② Clicheți antirecul
- ③ Cuțit de despicare cu apărătoare / Apărătoarea pânzei
- ④ Bara de despicare
- ⑤ Acumulator
- ⑥ Indicator ONE KEY
- ⑦ Întrerupător de curent electric / Capac comutator
- ⑧ Timon pentru reglarea înălțimii
- ⑨ Pârghie de blocare înclinare
- ⑩ Scala de înclinare
- ⑪ Timon pentru reglarea barei
- ⑫ Placă pentru introducerea vârfului fierăstrăului / Zăvorăre pentru placa de introducere a vârfului fierăstrăului
- ⑬ Bară extensibilă detașabilă
- ⑭ Baghetă de împingere
- ⑮ Scala de despicare indicator
- ⑯ Scala de despicare
- ⑰ Blocare bară
- ⑱ Opritor bară
- ⑲ Cheie fixă pânză depozitare / Cheie fixă pânză
- ⑳ Cuțit de despicare
- ㉑ Cuțit de despicare / Cuțit de despicare cu apărătoare depozitare
- ㉒ Duza praf
- ㉓ Scala de tăiere oblică depozitare
- ㉔ Clicheți antirecul depozitare
- ㉕ Cuțit de despicare Levier de eliberare



**AVERTISMENT** Citiți toate instrucțiunile de securitate, recomandările, reprezentările grafice și datele pe care le primiți livrate împreună cu aparatul. Nerespectarea indicațiilor de avertizare și a instrucțiunilor poate provoca electrocutare, incendii și/sau răniri grave.  
Păstrați toate indicațiile de avertizare și instrucțiunile în vedere utilizărilor viitoare.



## INSTRUCȚIUNI DE SIGURANȚĂ PENTRU FERĂȘTRAIE DE MASĂ

### 1) Avertizări privind apărătoarele

- Mentțineți apărătoarele la locul destinat. Apărătoarele trebuie să fie în stare de funcționare și montate în mod corespunzător.** O apărătoare desprinsă, deteriorată sau care nu funcționează corect, trebuie reparată sau înlocuită.
- Pentru orice operațiune de tăiere de la un capăt la altul, utilizați întotdeauna apărătoarea pânzei, cuțitul de despicare și dispozitivul anti-recul.** Pentru operațiuni de tăiere de la un capăt la altul, în cadrul cărora cuțitul fierăstrăului taie prin întreaga grosime a piesei de lucru, apărătoarea și alte dispozitive de siguranță contribuie la reducerea riscului de rănire.
- După efectuarea unei operațiuni ce necesită îndepărtarea apărătorii (cum ar fi fasonarea), a cuțitului de despicare și/sau a dispozitivului anti-recul, reatașați imediat sistemul de protecție.** Apărătoarea, cuțitul de despicare și dispozitivul anti-recul contribuie la reducerea riscului de rănire.
- Înainte ca întrerupătorul să fie în poziția pornit, asigurați-vă că pânza fierăstrăului nu face contact cu apărătoarea, cu cuțitul de despicare sau cu piesa de prelucrat.** Contactul neintenționat dintre aceste elemente și pânza fierăstrăului poate conduce la pericole.
- Ajustați pana de despicat conform celor descrise în instrucțiunile de folosire.** Cuțitul de despicare poate deveni ineficace în reducerea probabilității de recul, în cazul în care sunt încorect distanța între elemente, poziționarea și alinierea acestora.
- Pentru funcționarea cuțitului de despicare și a dispozitivului anti-recul, acestea trebuie să fie bine fixate în piesa de prelucrat.** Cuțitul de despicare și dispozitivul anti-recul sunt ineficiente în cazul în care se taie piese de prelucrat care sunt prea scurte pentru buna fixare a cuțitului de despicat și a dispozitivului anti-recul în aceste piese. În aceste condiții, cuțitul de despicat și dispozitivul anti-recul nu pot împiedica un recul.
- Foliștii o pană de despicat adecvată pânzei de ferăstrău întrebunțate.** Pentru funcționarea adecvată a cuțitului de despicat, diametrul lamei fierăstrăului trebuie să se alinieze cu cuțitul de despicat în mod adecvat și pânza fierăstrăului trebuie să fie mai subțire decât grosimea cuțitului de despicat, iar lățimea de tăiere a pânzei fierăstrăului trebuie să fie mai mare decât grosimea cuțitului de despicat.

### 2) Avertismente privind procedurile de tăiere

- PERICOL: Nu plasați niciodată degetele sau mâinile în imediata apropiere sau în linie cu pânza fierăstrăului.** Într-un moment de neatenție sau în cazul unei alunecări, mâna dvs. ar putea fi direcționată către pânza fierăstrăului, cauzând astfel grave vătămări corporale.

- Dirjecționați piesa de prelucrat către pânza fierăstrăului numai în sens opus direcției de rotație a pânzei.**

Dirjecționarea piesei de prelucrat către pânza fierăstrăului în direcția de rotație a acesteia deasupra mesei, poate avea ca și consecință tragerea piesei de lucru și a mâinii dvs. către pânza fierăstrăului.

- În cazul despiciării de-a lungul barei de despicare, nu utilizați niciodată scala de tăiere oblică în scopul direcționării piesei de prelucrat și nu utilizați bara de despicare ca și limitator al lungimii, atunci când efectuați tăieri în zig-zag cu ajutorul scalei de tăiere oblică.**

Ghidarea piesei de prelucrat de-a lungul barei de despicare și a scalei de tăiere oblică în mod concomitent, conduce la creșterea probabilității prinderii pânzei fierăstrăului și a reculului.

- În cadrul procesului de rupere, forța de direcționare a piesei de prelucrat se va aplica întotdeauna între bară și pânza fierăstrăului. Utilizați o baghetă de împingere atunci când distanța între bară și pânza fierăstrăului este mai mică decât 150 mm, iar atunci când această distanță este mai mică decât 50 mm, utilizați un bloc de împingere.** „Dispozitivele de lucru ajutătoare” mențin o distanță de siguranță între mâna dvs. și pânza fierăstrăului.

- Utilizați numai bagheta de împingere pusă la dispoziție de către producător sau construită conform instrucțiunilor.** Această baghetă de împingere asigură o distanță suficientă între mâna dvs. și pânza fierăstrăului.

- Nu utilizați niciodată o baghetă de împingere deteriorată.** O baghetă de împingere deteriorată se poate rupe, ceea ce poate duce la alunecarea mâinii dvs. către pânza fierăstrăului.

- Nu efectuați nici o operațiune „cu mâna liberă”. În scopul poziționării și direcționării piesei de prelucrat, utilizați întotdeauna fie bara de despicare, fie scala de tăiere oblică.** Prin „cu mâna liberă” se înțelege utilizarea mâinilor în scopul susținerii și direcționării piesei de prelucrat, în locul barei de despicare sau a scalei de tăiere oblică. Tăierea cu mâna liberă duce la deplasament, prindere și recul.

- Nu vă întindeți niciodată pe după sau peste o pânză de ferăstrău în rotație.** Când vă întindeți după o piesă de prelucrat, poate avea loc un contact accidental cu pânza fierăstrăului în mișcare.

- În cazul pieselor de prelucrat care sunt lungi sau late, asigurați susținerea lor adițională pe masă, la capetele și/sau în părțile acestora.** O piesă de prelucrat lungă sau lată are tendința de a pivota în jurul marginii mesei, ducând astfel la pierderea controlului, prinderea pânzei fierăstrăului și recul.

- Dirjecționați piesa de prelucrat într-un ritm lent și regulat. Nu îndoiiți sau răsușiți piesa de prelucrat. În cazul unei blocări, scoateți imediat unelata din priză, apoi deblocați-o.** Blocarea pânzei fierăstrăului prin piesa de prelucrat, poate duce la recul sau la blocarea motorului.

- Nu îndepărtați așchii în timp ce fierăstrăul este în funcțiune.** Acestea se pot bloca între bară sau în apărătoarea pânzei fierăstrăului și pânza fierăstrăului, trăgând astfel degetele dvs. către pânza fierăstrăului. Înainte de a îndepărta așchile, scoateți fierăstrăul din funcțiune și așteptați până când pânza fierăstrăului s-a oprit.



l) În cadrul operațiunii de despicare, utilizați o bară aditională pentru cazul în care piesa de prelucrat este mai subțire de 2 mm. O piesă de prelucrat subțire poate intra sub bara de despicare, cauzând astfel un recul.

### 3) Cauzele și evitarea unui recul:

Reculul este o reacție bruscă a piesei de prelucrat, datorată unei pânze de fierăstrău blocate sau unui deplasament al liniei de tăiere în piesa de prelucrat față de pânza fierăstrăului sau datorată prinderii piesei de prelucrat între pânza fierăstrăului și bara de despicare sau altui obiect fix.

În cele mai multe cazuri, în timpul reculului, piesa de prelucrat este aruncată de pe masă de către partea din spate a pânzei fierăstrăului și este propulsată către operator.

Reculul este consecința utilizării greșite sau defectuoase a ferăstrăului. El poate fi împiedicat prin măsuri de prevedere adecvate, conform celor descrise în cele ce urmează.

a) **Nu stați niciodată colinear cu pânza fierăstrăului. Poziționați-vă întotdeauna pe aceeași parte a pânzei fierăstrăului ca și bara.** Reculul poate propulsa cu viteză mare piesa de prelucrat către orice stă în fața sau colinear cu pânza fierăstrăului.

b) **Nu vă întindeți niciodată peste sau pe după pânza de fierăstrăului în scopul de a trage sau de a susține piesa de prelucrat.** Aceasta poate atrage după sine contactul accidental cu pânza fierăstrăului sau reculul poate trage degetele dvs. către pânza fierăstrăului.

c) **Nu țineți sau apăsați niciodată contra pânzei fierăstrăului piesa de prelucrat care tocmai este tăiată.** Apăsarea către pânza fierăstrăului a piesei de prelucrat care tocmai este tăiată, va produce prinderea și reculul acesteia.

d) **Poziționați bara așa încât aceasta să fie paralelă cu pânza fierăstrăului.** În cazul unui deplasament al barei, pânza fierăstrăului va prinde piesa de prelucrat și va crea un recul.

e) **Atunci când executați tăieri care nu merg până la capăt, cum ar fi lucrări de fălțuit, utilizați o placă cu icuri pentru a direcționa piesa de prelucrat către banc și bară.** În cazul unui recul, placa cu icuri ajută în menținerea controlului asupra piesei de prelucrat.

f) **Procedați cu deosebită precauție atunci când tăiați în zone orbe ale piesei de prelucrat.** Partea proeminentă a pânzei fierăstrăului poate tăia obiecte ce cauzează recul.

g) **Sprîjiniți panouri de dimensiuni mari, pentru a minimiza riscul blocării pânzei fierăstrăului și reculului.** Panourile de dimensiuni mari tind să se lase sub propria greutate. Sub toate acele părți ale panoului care depășesc masa, trebuie plasat(e) suport(uri).

h) **Procedați cu deosebită precauție atunci când tăiați o piesă de prelucrat care este distorsionată, cu noduri, strâmbă sau care nu are o margine dreaptă pentru a putea fi direcționată prin intermediul scalei de tăiere oblică sau barei de despicare.** O piesă de prelucrat care este distorsionată, cu noduri, strâmbă sau care nu are o margine dreaptă este instabilă și produce deplasamentul tăieturii față de pânza fierăstrăului, prindere și recul.

i) **Nu tăiați niciodată mai mult de o piesă de prelucrat deodată, stivuită vertical sau orizontal.** Pânza fierăstrăului ar putea apuca una sau mai multe bucăți, cauzând astfel un recul.

j) **La repornirea fierăstrăului cu pânza în piesa de prelucrat, centrați pânza fierăstrăului în tăietură, așa încât dinții pânzei să nu fie ancorați în material.** Dacă pânza fierăstrăului este în material atunci când se repornește fierăstrăul, pânza poate ridica piesa de prelucrat și produce recul.

k) **Mențineți pânzele fierăstrăului curate, ascuțite și fără uzură. Nu utilizați niciodată pânze de fierăstrău strâmbे sau pânze de fierăstrău cu dinți fisurați sau rupti.** Pânze de fierăstrău ascuțite și care nu prezintă uzură, reduc riscul de prindere, blocare și recul.

### 4) Avertismente privind operarea fierăstrăului de masă

a) **Opriiți fierăstrăul de masă și deconectați acumulatorul atunci când demontați placa de inserție pentru banc, când schimbați pânza fierăstrăului sau când ajustați cuțitul de despicare, dispozitivul anti-recul sau apărătoarea pânzei, precum și atunci când aparatul este nesupraveheat.** Măsurile de precauție evită accidentele.

b) **Nu lăsați niciodată nesupraveheat fierăstrăul de masă, atunci când acesta este în funcțiune. Scoateți-l din funcțiune și nu părăsiți unealta până când aceasta nu s-a oprit complet.** Un fierăstrău nesupraveheat constituie un risc necontrolat.

c) **Plasați fierăstrăul de masă într-o zonă bine iluminată și nivelată, zona în care vă puteți menține bine stabilitatea și echilibrul. Fierăstrăul ar trebui plasat într-un spațiu suficient de mare pentru ca piesa de prelucrat să poată fi manevrată cu ușurință.** Zone înghesuite, întunecate și podele denivelate, alunecoase, favorizează producerea de accidente.

d) **Curățați și îndepărtați în mod frecvent rumegușul de sub fierăstrăul de masă și /sau dispozitivul de colectare a prafului.** Rumegușul acumulat în cantitate mare este inflamabil și se poate autoaprinde.

e) **Fierăstrăul de masă trebuie să fie securizat.** Un fierăstrău de masă nesecurizat poate să se deplaseze sau să se răstoarne.

f) **Înainte de a pune în funcțiune fierăstrăul de masă, îndepărtați uneltele, resturile din lemn, etc. de pe banc.** Distragerea atenției sau o eventuală înghesuială la locul de muncă pot fi periculoase.

g) **Utilizați întotdeauna pânze de fierăstrău cu mărimea și forma corectă (diamant vis avis de cerc) a orificiilor axului.** Pânze de fierăstrău neadecvate pentru dispozitivul de montare al fierăstrăului, se roteșc decentrat, cauzând astfel pierderea controlului.

h) **Nu utilizați niciodată accesorii de montare a pânzei ce sunt deteriorate sau neadecvate, cum ar fi flanșe, șaibe pentru pânza de fierăstrău, bolțuri și piulițe.** Aceste accesorii de montare au fost proiectate special pentru fierăstrăul dvs., în scopul asigurării unei operări sigure și unei performanțe optime.

i) **Nu stați niciodată pe banc, nu utilizați bancul ca și taburet-scară.** Răsturnarea unelei sau contactul accidental cu unelata tăietoare, pot provoca răniri grave.

j) **Asigurați-vă că pânza fierăstrăului este montată astfel încât să se rotească în direcția adecvată. Nu utilizați discuri de șlefuit, perii de sârmă sau discuri abrazive pe un fierăstră de masă.** Pânze de fierăstrău montate în mod neadecvat sau accesorii nerecomandate, pot cauza răniri grave.





## Instrucțiunile suplimentare de siguranță și de lucru

Este interzisă lambrisarea, tocarea, rețezarea și tăierea de capete deeturnare.

Purtați aparatoarele de urechi. Expunerea la zgomot poate duce la pierderea auzului.

Folosiți echipament de protecție. Purtați întotdeauna ochelari de protecție când lucrați cu mașina. Se recomandă utilizarea hainelor de protecție ca de ex. Măști contra prafului, mănuși de protecție, încălțăminte stabilă nealunecoasă, cască și aparatoare de urechi.

Praful care apare când se lucrează cu această sculă poate fi dăunător sănătății și prin urmare nu trebuie să atingă corpul. Utilizați un sistem de absorbție a prafului și purtați o mască de protecție împotriva prafului. Îndepărtați cu grijă praful depozitat, de ex. cu un aspirator.

Aveți în vedere ca mașina să aibe mereu o poziție sigură.

Înainte de utilizarea sculei, vă rugăm citiți instrucțiunile. Se prezintă scula, dacă este posibil.

Nu folosiți pânze de circular deteriorate ori deformate.

Folosiți numai pânze de ferăstrău ascuțite regulamentar.

Folosiți doar pânze pentru prelucrarea lemnului specificate în acest manual, care aplică standardul EN 847-1.

Pentru a minimiza emisiile de zgomot, accesoriul de lucru trebuie ascuțit și toate elementele pentru diminuarea zgomotului (capace protectoare etc.) să fie e reglate în conformitate cu normele în vigoare.

Pot fi utilizate numai scule care corespund EN 847-1.

Sculele trebuie transportate și depozitate în recipiente corespunzătoare;

Folosiți pânza de ferăstrău potrivită pentru materialul care urmează a fi tăiat.

Respectați turația maximă indicată pe pânza de ferăstrău.

Nu folosiți pânze de ferăstrău din oțel rapid

Montarea unor discuri abrazive este interzisă!

SCOATEȚI CHEILE DE STRĂNGERE. Obișnuiți-vă să verificați că nu ați uitat chei de strângere sau de reglaj pe mașină înainte de a o pune în funcțiune.

Eventualele deranjamente ale mașinii, inclusiv cele la instalația de protecție respectiv la pânzele de ferăstrău, trebuie comunicate fără întârziere persoanei responsabile pentru siguranță.

Nu intrați niciodată în zona de pericol a plăcii când este în mișcare.

Rumegușul și spanul nu trebuie îndepărtate în timpul funcționării mașinii.

Capota superioară de protecție nu va fi utilizată ca mâner pentru transport!

Pe parcursul transportului mașinii, capota superioară de protecție trebuie să acopere partea superioară a pânzei de ferăstrău.

Verificați dacă ghidul de tăiere paralelă este paralel cu lama.

Păstrați podeaua liberă de resturi de material, de ex. aşchii și resturi de la tăiatul lemnului.

În ciuda respectării tuturor prescripțiilor constructive relevante, în timpul exploatarei mașinii încă mai pot să apară pericole, de ex. prin: Desprindere de bucăți din piesa care se prelucrează, Desprinderea de bucăți din accesoriul de lucru, în cazul în care acestea sunt deteriorate, Emisii de zgomot, Emisii de praf de lemn.

Îndepărtați acumulatorul înainte de începerea lucrului pe mașina  
**AVERTISMENT!** Pentru a reduce pericolul unui incendiu și evitarea rănirilor sau deteriorarea produsului în urma unui scurtcircuit nu imersați scula, acumulatorul de schimb sau încărcătorul în lichide și asigurați-vă să nu pătrundă lichide în aparate și acumulatori. Lichidele corosive sau cu conductibilitate, precum apa sărată, anumite

substanțe chimice și înalbitori sau produse ce conțin înalbitori, pot provoca un scurtcircuit.

Folosiți numai încărcătoare System M18 pentru încărcarea acumulatorilor System M18. Nu folosiți acumulatori din alte sisteme.

Nu deschideți niciodată acumulatorii și încărcătoarele și pastrați-le numai în încăperi uscate. Pastrați-le întotdeauna uscate.

## AVERTISMENT



Acestă sculă conține o baterie rotundă specializată tip litiu. O baterie nouă sau folosită poate cauza arsuri interne severe și poate provoca chiar decesul chiar și în 2 ore dacă este înghițită sau dacă intră în corp. Asigurați mereu capacul de pe compartimentul cu baterii. Dacă nu se închide în mod sigur, opriți dispozitivul, îndepărtați bateria și nu o lăsați la îndemâna copiilor. Dacă suspectați că cineva a înghițit o baterie sau că aceasta a intrat în corp prin alte modalități, apelați de urgență la un medic.

## CONDIȚII DE UTILIZARE SPECIFICATE

Utilizați ferăstrăul circular cu masă doar pentru debitarea lemnului și a produselor lemnoase.

Nu folosiți ferăstrăul circular cu masă niciodată pentru tăierea altor materiale decât cele indicate în instrucțiunile de utilizare.

Nu este permis ca piesele cu secțiune circulară sau neregulată (de ex. lemne de foc) să fie tăiate la fierăstrău, întrucât în timpul tăierii ele nu sunt fixate în condiții de siguranță. La tăierea pieselor plane în poziție verticală trebuie utilizat un opritor auxiliar adecvat în vederea asigurării unei ghidări sigure.

Despicarea, tăierea în zig-zag, tăierea oblică și în fază, utilizând max. o pânză de fierăstrău montată.

## RISURI REZIDUALE

Chiar și când produsul este utilizat corect, riscurile reziduale nu pot fi complet excluse. Următoarele riscuri pot apărea în timpul utilizării, de aceea utilizatorul trebuie să țină cont de următoarele:

- Pentru a evita deficiențele auditive trebuie limitat timpul de expunere și trebuie purtată o protecție auditivă adecvată.
- Utilizatorul ar trebui să ia măsuri pentru a reduce efectele vibrațiilor și pentru a limita timpul de expunere.
- Pentru a evita riscurile pentru sănătate care pot apărea din cauza inhalării de praf provenit din prelucrare se va purta o mască pentru protecția respirației.

## INTREȚINERE

Îndepărtați blocul de baterii înainte de a începe orice lucrare de ajustare, curățare și întreținere asupra dispozitivului.

Asigurați-vă că deconectați unealta de la sursa de alimentare înainte de atașarea sau înălțurarea lamei ferăstrăului.

Îndepărtați regulat praful. Pentru evitarea pericolului de incendiu, îndepărtați rumegușul acumulat în interiorul ferăstrăului.

Înlocuiți inserția uzată a mesei.

Curățați aparatul și dispozitivul de protecție cu o lavetă uscată.

Fantele de aerisire ale mașinii trebuie să fie menținute libere tot timpul

Utilizați numai accesorii și piese de schimb Milwaukee. Dacă unele din componente care nu au fost descrise trebuie înlocuite, vă rugăm contactați unul din agenții de service Milwaukee (vezi lista noastră pentru service / garanți

Dacă este necesară, se poate comanda o imagine descompusă a sculei. Vă rugăm menționați numărul art. Precum și tipul mașinii tipărit pe etichetă și comandați desenul la agenții de service locali sau direct la Techtronic Industries GmbH, Max-Eyth-Straße 10, 71364 Winnenden, Germany.



## ONE-KEY™

Pentru a afla mai multe despre funcționalitatea ONE-KEY a acestui dispozitiv, vă rugăm să consultați ghidul rapid anexat acestui produs sau să accesați <http://www.milwaukeetool.com/one-key>  
Puteți descărca aplicația ONE-KEY de pe App Store sau Google Play pe Smartphone-ul dvs.

Rezultatul verificării satisface cerințele noastre minime în conformitate cu EN 301 489-1 / EN 301 489-17. Vom transmite clientului ghidul operațional integrat în Manualul de utilizare.

## ACUMULATORI

Acumulatorii care nu au fost utilizați o perioadă de timp trebuie reincărcați înainte de utilizare

Temperatura mai mare de 50°C (122°F) reduce performanța acumulatorului. Evitați expunerea prelungită la căldură sau radiație solară (risca de supraîncălzire)

Contactele încărcătoarelor și acumulatorilor trebuie păstrate curate.

În scopul optimizării duratei de funcționare, bateriile trebuie reincărcate complet după utilizare. Acumulatorii care nu au fost utilizați o perioadă de timp trebuie reincărcați înainte de utilizare  
Pentru o durată de viață cât mai lungă, acumulatorii ar trebui scoși din încărcător după încărcare.

La depozitarea acumulatorilor mai mult de 30 zile: Acumulatorii se depozitează la cca. 27°C și la loc uscat. Acumulatorii se depozitează la nivelul de încărcare de cca. 30%-50%. Acumulatorii se încarcă din nou la fiecare 6 luni.

Nu aruncați acumulatorii uzați la containerul de reziduri menajere și nu îi ardeți. Milwaukee Distributors se oferă să recupereze acumulatorii vechi pentru protecția mediului înconjurător.

Nu depozitați acumulatorul împreună cu obiecte metalice (risca de scurtcircuit)

Acidul se poate scurge din acumulatorii deteriorați la încălziri sau temperaturi extreme. În caz de contact cu acidul din acumulator, spălați imediat cu apă și săpun. În caz de contact cu ochii, clătiți cu atenție timp de cel puțin 10 minute și apelați imediat la îngrijire medicală.

Nu se permite introducerea nici unei piese metalice în locașul pentru acumulator al încărcătorului. (risca de scurtcircuit)

## PROTECȚIE SUPRAÎNCĂRCARE ACUMULATOR

În caz de suprasarcină a acumulatorului prin consum foarte mare de curent, de ex. ca urmare a unor momente de rotație extreme, înțepenirea sculei inserate, stop bruscat sau scurtcircuit, scula electrică se oprește pentru 2 secunde și se deconectează de la sine. Pentru reconectare dați drumul întrerupătorului și conectați din nou. În condiții de încălziri extreme, acumulatorul se poate încălzi peste măsură. În acest caz, acumulatorul se decuplează. Pentru a-l reincărca și activa, puneți acumulatorul în în aparatul de încărcare.

## TRANSPORTUL ACUMULATORILOR CU IONI DE LITIU

Acumulatorii cu ioni de litiu cad sub incidența prescripțiilor legale pentru transportul de mărfuri periculoase.

Transportul acestor acumulatori trebuie să se efectueze cu respectarea prescripțiilor și reglementărilor pe plan local, național și internațional.

Consumatorilor le este permis transportul rutier nerestricționat al acestui tip de acumulatori.

Transportul comercial al acumulatorilor cu ioni de litiu prin intermediul firmelor de expediție și transport este supus reglementărilor transportului de mărfuri periculoase. Pregătirile pentru expediție și transport au voie să fie efectuate numai de către personal instruit corespunzător. Întregul proces trebuie asistat în mod competent.

Următoarele puncte trebuie avute în vedere la transportul acumulatorilor:

Pentru a se evita scurtcircuite, asigurați-vă de faptul că sunt protejate și izolate contactele. Aveți grijă ca pachetul de acumulatori să nu poată aluneca în altă poziție în interiorul ambalajului său. Este interzis transportarea unor acumulatori deteriorați sau care pierd lichid. Pentru indicații suplimentare adresați-vă firmei de expediție și transport cu care colaborați.

## DECLARAȚIE DE CONFORMITATE

Declarăm pe propria răspundere că produsul descris în capitolul „Date tehnice” îndeplinește toate cerințele relevante ale directivelor

2011/65/UE (RoHS)

2006/42/CE

2014/53/UE

și au fost utilizate următoarele standarde armonizate

EN 62841-1:2015

EN 62841-3-1:2014+AC:2015+A11:2017

EN 62479:2010

EN 55014-1:2017+A11:2020

EN 55014-2:2015

EN IEC 63000:2018

EN 301 489-1 V2.2.3

EN 301 489-17 V3.1.1

EN 300 328 V2.2.2



Winnenden, 2020-11-11

Alexander Krug / Managing Director  
Împuternicit să elaboreze documentația tehnică.

Techtronic Industries GmbH

Max-Eyth-Straße 10, 71364 Winnenden, Germany

## SIMBOLURI



Va rugăm citiți cu atenție instrucțiunile înainte de pornirea mașinii



PERICOL! AVERTIZARE! ATENȚIE!



Îndepărtați acumulatorul înainte de începerea lucrului pe mașina



Purtați căști de protecție

Purtați o mască de protecție corespunzătoare împotriva prafului.



Purtați întotdeauna ochelari de protecție când utilizați mașina.



Purtați mănuși de protecție!



Nu introduceți niciodată mâinile în perimetrul pânzei de circular.



Acest aparat este recomandat doar pentru utilizare în interior. Nu expuneți niciodată aparatul la ploaie.



Accesoriu - Nu este inclus în echipamentul standard, disponibil ca accesoriu



Pene de lemn și blocuri de împingere pot fi achiziționate în comerțul de specialitate. Vă rugăm să utilizați numai accesorii de înaltă calitate.



Aparatele electrice, bateriile/acumulatorii nu se elimină împreună cu deșeurile menajere. Aparatele electrice și acumulatorii se colectează separat și se predau la un centru de reciclare, în vederea eliminării ecologice. Informați-vă de la autoritățile locale sau de la comercianții acreditați în legătură cu centrele de reciclare și de colectare.

**n<sub>0</sub>** Viteza de mers în gol

**V** Tensiune



Curent continuu



Marcă de conformitate europeană



Marcă de conformitate britanică



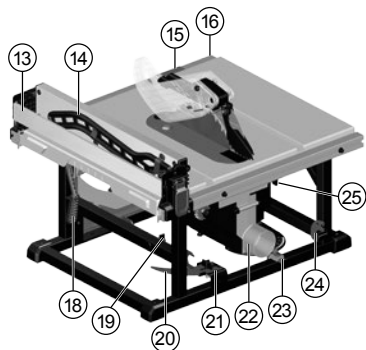
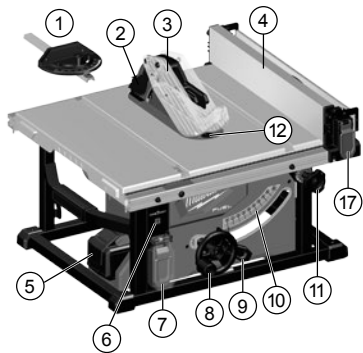
Marcă de conformitate ucraineană



Marcă de conformitate eurasiatică



| ТЕХНИЧКИ ПОДАТОЦИ   |               | M18 FTS210                         |
|---|---------------|------------------------------------|
| Кружна пила за маса   |               |                                    |
| Производен број   |               | 4609 60 02...<br>... 000001-999999 |
| Волтажа на батеријата   |               | 18 V                               |
| Брзина без оптоварување   |               | 6300 min <sup>-1</sup>             |
| Фреквентен опсег  |               | 2402-2480 MHz                      |
| моќност на предавателот   |               | 1,8 dBm                            |
| Сечило на пила дијаметар x дијаметар на отвор   |               | 210 x 30 mm                        |
| Дебелина на листот за сечење  |               | макс. 1,55 mm                      |
| Дебелина на запците   |               | мин. 1,8 mm<br>макс. 2,2 mm        |
| Макс. Длабочина на сечење при 0 / 45°   |               | 63,5 / 44 mm                       |
| Растојание помеѓу паралелниот граничник и листот од пилата макс.  | Лево<br>Десно | 310 mm<br>525 mm / 622 mm          |
| Тежина според ЕПТА-процедурата 01/2014 (Li-Ion 2,0 Ah ... 12,0 Ah)  |               | 21,2 kg ... 22,3 kg                |
| Препорачана температура на околината за работа  |               | -18°C ... +50°C                    |
| Препорачани комплекти акумулаторски батерии   |               | M18B... / M18HB...                 |
| Препорачани полначи   |               | M12-18... / M1418 C6               |
| <b>Информации за бучавата</b>   |               |                                    |
| Измерените вредности се одредени согласно стандардот EN 62841. А-оценетото ниво на бучава на апаратот типично изнесува: |               |                                    |
| Ниво на звучен притисок. (Несигурност K=3dB(A))   |               | 92,37 dB(A)                        |
| Ниво на јачина на звук. (Несигурност K=3dB(A))  |               | 103,37 dB(A)                       |
| <b>Носте штитник за уши.</b>  |               |                                    |



#### Опис на уредот

- ① Корито за режење
- ② Палци (запнувачи) против повратен удар
- ③ Раздвојувач со заштита / Штитник на сечилото
- ④ Паралелен граничник
- ⑤ Батерија
- ⑥ Индикатор ONE KEY
- ⑦ Вклучување во струја / Поклопец на прекинувачот
- ⑧ Рачно тркало за подесување на висината
- ⑨ Рачка за заклучување на наклонот
- ⑩ Скала за косина
- ⑪ Тркало за подесување на граничникот
- ⑫ Убодна плоча / Затворач на убодната плоча
- ⑬ Продолжителна вртлива преграда
- ⑭ Стапце за туркање
- ⑮ Паралелна скала индикатор
- ⑯ Паралелна скала
- ⑰ Затворачи на оградата
- ⑱ Брава за оградата
- ⑲ Клуч за листот место за чување / Клуч за листот
- ⑳ Раздвојувач
- ㉑ Раздвојувач / Раздвојувач со заштита место за чување
- ㉒ Канал за правот
- ㉓ Корито за режење место за чување
- ㉔ Палци (запнувачи) против повратен удар место за чување
- ㉕ Раздвојувач Рачка за отклучување



**ПРЕДУПРЕДУВАЊЕ** Прочитајте ги сите безбедносни напомени, упатства, цртежи и податоци, коишто ги добивате заедно со уредот. Забораване на почитувањето на безбедносните упатства и инструкции можат да предизвикаат електричен удар, пожар и/или тешки повреди. **Сочувајте ги сите безбедносни упатства и инструкции за во иднина.**




## БЕЗБЕДНОСНИ УПАТСТВА ЗА СТОЛНА ПИЛА

### 1) Предупредувања поврзани со заштитата

- a) **Заштитниците чувајте ги на своето место. Заштитниците мора да бидат во работна состојба и да бидат правилно монтирани.** Заштитникот кој е лабав, оштетен или кој не функционира исправно, мора да поправи или да се замени.
- b) **Секогаш користете заштита за пилата, раздвојувач и уред против повратен удар за секоја операција на сечење.** За операции на сечење каде што листот од пилата целосно ја пресекува дебелината на работното парче, заштитникот и другите безбедносни уреди помагаат да се намали ризикот од повреда.
- c) **Веднаш повторно ставете го заштитниот систем откако ќе завршите една операција (како на пр. правење жлебови), а која изискувала да ги тргнете заштитата, раздвојувачот и/или уредот против повратни удари.** Заштитникот, раздвојувачот и уредот против повратен удар помагаат да се намали ризикот од повреда.
- d) **Уверете се листот од пилата да не допира до заштитникот, раздвојувачот или работното парче пред да го вклучите прекинувачот.** Ненамерниот контакт на овие предмети со ножот од пилата може да предизвика опасност.
- e) **Наштелувајте го ножот за острење како што е наведено во овој прирачник.** Неправилниот размак, позиционирање и порамнување можат да го направат раздвојувачот неефикасен за намалување на веројатноста од повратен удар.
- f) **За да работат правилно, раздвојувачот и уредот против повратен удар мора да бидат закачени за парчето кое се обработува.** Раздвојувачот и уредот против повратен удар не се ефикасни кога сечете работни парчиња кои се прекратки за да се закачат за раздвојувачот и уредот против повратен удар. Под овие околности, повратниот удар не може да се спречи со раздвојувачот и со уредот против повратен удар.
- g) **Употребете соодветен нож за острење на употребуваното сечило.** За да функционира правилно, пречникот на листот од пилата мора да одговара на соодветниот раздвојувач, телото на листот од пилата мора да биде потенко од дебелината на раздвојувачот, а ширината на сечење на листот од пилата мора да биде поширока од дебелината на раздвојувачот.

### 2) Предупредувања за процедурите на сечење

- a)  **Опасност: Никогаш не ставајте ги прстите или дланките во близина или во линија со листот од пилата.** Само еден момент на невнимание или едно подлизување

може да Ви ја насочи дланката кон листот од пилата и да доведе до сериозна повреда.

- b) **Парчето кое го обработувате ставајте го на листот од пилата само во правецот на вртењето.** Ако го ставате обработуваното парче во ист правец во кој се врти и листот од пилата на масата, тоа може да предизвика парчето кое го обработувате и Вашата рака да бидат повлечени кон листот од пилата.
- c) **Никогаш не користете аголен граничник за да го ставате обработуваното парче кога режете, и немојте да користите паралелен граничник како стопер за должина кога прережувате со аголен граничник.** Ако обработуваното парче го водите во исто време со паралелниот граничник и со аголниот граничник, тоа ја зголемува веројатноста листот од пилата да се заглави и да има повратен удар.
- d) **Кога режете, секогаш применувајте сила колку што е потребно за да го ставите обработуваното парче помеѓу граничникот и листот на пилата. Користете стапче за туркање кога растојанието помеѓу граничникот и листот од пилата е помало од 150мм, а користете гредичка за туркање кога ова растојание е помало од 50мм.** Ваквите алатки за „помош при работа“ ќе Ви чуваат Вашите раце на безбедна оддалеченост од листот на пилата.
- e) **Користете само стапче за туркање обезбедено од производителот или кое е изработено во склад со упатствата.** Ова стапче за туркање овозможува доволна оддалеченост на дланката од листот на пилата.
- f) **Како стапче за туркање никогаш немојте да користите оштетено или пресечено стапче.** Оштетеното стапче за туркање може да се скрши и да предизвика раката да Ви се слизне накај листот од пилата.
- g) **Не вршете никаква операција „со слободна рака“.** Секогаш користете или паралелен граничник за сечење или аголен граничник за да го позиционирате и водите обработуваното парче. „Слободна рака“ значи користење на Вашите дланки за да го потпрете или водите обработуваното парче, наместо тоа да го сторите со паралелен граничник или со аголен граничник. Сечењето со слободна рака доведува до неизрамнетост, заглавување и повратен удар.
- h) **Никогаш немојте да се пресегнувате околу или преку листот од пилата која се врти.** Пресегнувањето по обработуваното парче може да доведе до несреќен контакт со листот на пилата која е во движење.
- i) **Обезбедете помошна потпора за обработуваното парче на задната и/или на страните од столната пила за долги и широки парчиња коишто ги обработувате, за да ги држат рамно.** Долгите и/или широките обработувани парчиња имаат тенденција да се мрдаат на работ од масата и да предизвикаат губење на контролата, заглавување на листот од пилата и повратен удар.
- j) **Обработуваното парче ставајте го рамномерно. Немојте да го виткате или вртите обработуваното парче. Доколку дојде до заглавување, веднаш исклучете ја алатката, извадете го кабелот од струја, а потоа одгладувајте ја.** Доколку обработуваното парче се



заглави кај листот од пилата, тоа може да предизвика повратен удар или запирање на моторот.

**к) Немојте да го тргате сечениот материјал додека пилата работи.** Материјалот може да се заглави помеѓу граничникот или внатре во заштитникот за листот од пилата и листот од пилата и да Ви ги повлече прстите накај листот од пилата. Исклучете ја пилата и почекајте листот од пилата да застане, па потоа земете го материјалот.

**л) Користете помошна ограда во контакт со горниот дел на масата кога режете работни парчиња потенки од 2мм.** Тенките работни парчиња може да се заглават под паралелниот граничник и да предизвикаат повратен удар.

### 3) Причини и начин на спречување на повратен ефект.

Повратен удар е ненадејна реакција на обработуваното парче поради притиснат, заглавен лист на пила или поради крива линија на сечење на обработуваното парче, или кога некој дел од обработуваното парче ќе се заглави помеѓу листот од пилата и паралелниот граничник или некој друг фиксиран предмет.

Најчесто, за време на повратниот удар обработуваното парче се подига од масата со задниот дел од листот на пилата и се здвижува накај операторот.

Повратниот ефект е резултат на неправилна употреба на пилата и/или некоректни работни процедури или услови и може да биде избегнат со превземање на соодветни претпазливи постапки наведени подолу.

**а) Немојте никогаш да стоите во линија со листот од пилата. Вашето тело секогаш поставувајте го на иста страна од листот на пилата каде што е заштитната ограда.** Повратниот удар може да предизвика обработуваното парче со голема брзина да летне кон некого што стои пред или во линија со листот од пилата.

**б) Немојте никогаш да се пресегнувате преку или позади листот од пилата за да го турнете или придржите обработуваното парче.** Може да дојде до случаен контакт со листот од пилата или до повратен удар и да Ви ги повлече прстите накај листот од пилата.

**в) Обработуваното парче кое го сечете немојте никогаш да го држите наспроти листот од пилата кој се врти.** Ако го притискате сеченото обработувано парче накај листот од пилата, тоа ќе предизвика заглавување и повратен удар.

**д) Израмнете ја оградата да биде паралелна со листот од пилата.** Неизрамнетата ограда ќе го притисне обработуваното парче накај листот од пилата и ќе предизвика повратен удар.

**е) Користете летва со перца за да го водите обработуваното парче накај масата и оградата кога правите сечења без пробивање, како што е правењето жлебови.**

Летвата со перца служи да се контролира обработуваното парче во случај на повратен удар.

**ф) Бидете екстра претпазливи кога сечете „на слепо“ некои спојувани работни парчиња.** Листот од пилата којшто штрчи, може да пресече предмети кои ќе предизвикаат повратен удар.

**г) Големите панели потпрете ги за да се минимизира ризикот од притиснување и повратен удар.** Големите панели се склони да попуштат под сопствената тежина. Под

сите делови на панелот кои висат преку масата мора да се стават потприраци.

**h) Бидете екстра внимателни кога сечете работно парче кое е искривено, со џумки, извитоперено или нема рамен раб за да се води со аголен граничник или долж оградата.** Работното парче кое е извитоперено, со џумки или искривено, е нестабилно и предизвикува неизрамнетост на засекот со листот од пилата, заглавување и повратен удар.

**и) Никогаш не сечете повеќе од едно работно парче, поставено вертикално или хоризонтално.** Листот од пилата може да потфати едно или повеќе парчиња и да предизвика повратен удар.

**ј) Кога ја рестартирате пилата, а листот од пилата се наоѓа во работното парче, нацентрирајте го листот од пилата во засекот, така што заштитите од пилата да не се навлезени во материјалот.** Доколку листот од пилата се заглави, истиот може да го поткрне работното парче и да предизвика повратен удар кога машината се рестартира.

**к) Листовите од пилата одржувајте ги чисти, остри и со доволно резерва. Никогаш не користете извитоперени листови од пила или листови со испукани или искривени заштити.** Острите и правилно наместени листови од пила го минимизираат заглавувањето, запирањето на работата на моторот и повратниот удар.

### 4) Предупредувања за работната процедура на столната пила

**а) Исклучете ја столната пила и исклучете го пакувањето со батериите кога го отстранувате вметокот во масата, кога го менувате листот на пилата или кога правите подесувања на раздвојувачот, на уредот против повратен удар или на заштитата на пилата, и кога машината ја оставате ненадгледувана.** Со превентивните мерки ќе избегнете несреќи.

**б) Никогаш не оставајте ја столната пила да работи ненадгледувана. Исклучете ја и не ја напуштајте алатката додека таа целосно не запре.** Ненадгледуваната вклучена пила претставува неконтролирана опасност.

**в) Столната пила поставете ја на добро осветлено и рамно место каде што ќе имате добри стартни услови и добра подлога. Таа треба да се инсталира на место каде што ќе имате доволно простор со испукање да ракувате со парчето кое го обработувате.** Тесните, мрачени простории и нерамниот, лизгав под се извор на несреќи.

**д) Често чистете ја и отстранувајте ја пилевината под столната пила и/или од уредот за собирање прав.** Насобраната пилевина е запалива и би можела да се самозапали.

**е) Столната пила мора да се фиксира.** Столна пила која не е правилно фиксирана, може да се измрда или да се преврти.

**ф) Отстранете ги алатките, дрвените струготини и сл. од масата пред да ја вклучите столната пила.** Расеаноста и потенцијалното заглавување можат да бидат опасни.

**г) Секогаш користете листови за пила со точна големина и облик на дупката (ромбен или тркалезен облик).**

Листовите на пилата кои не одговараат на монтажниот прибор



на пилата ќе излезат од центарот (ќе се децентрираат), и тоа ќе предизвика губење на контролата.

h) **Никогаш немојте да користите оштетени или неисправни уреди за монтирање на листовите на пилата, како на пр. прирабници, шајбни за листовите на пилата, завртки или навртки.** Овие помагала за монтажа се специјално дизајнирани за Вашата пила, за безбедно работење и оптимални резултати.

i) **Никогаш немојте да стоите на столната пила и немојте да ја користите како скалило.** Може да се случат сериозни повреди ако алатката се преврти или ако случајно дојдете во допир со алатот за сечење.

j) **Уверете се дали листот од пилата е монтиран да ротира во точниот правец. На столната пила немојте да користите брусни плочи, жичени четки или абразивни тркала.** Неправилно намонтиран лист од пила или користењето на прибор кој не е препорачан, може да предизвика сериозна повреда.

### Останати безбедносни и работни упатства

Забрането е длабење, браздење, ново нарежување и леене на резната глава.

Носете штитник за уши. Влијанието на бука може да предизвика губење на сепитото за слух.

Употребувајте заштитна опрема. При работа со машината постојано носете заштитни очила. Се препорачува заштитна облека како: маска за заштита од прашина, заштитни ракавици, цврсти чевли што не се лизгаат, кацига и заштита за уши.

Прашината која се крева при работа со овој алат може да биде штетна по здравјето и затоа не го изложувајте го телото. Користете систем за апсорпција на прашината и носете соодветна заштитна маска. Одстранете ја целосно наталожената прашина пр: со правосмукалка.

Обезбедете, машината да стои постојано цврсто.

Пред да го употребите алатот ве молиме прочитајте ги инструкциите. Доколку е возможно со претходна демонстрација. Не употребувајте оштетени или деформирани дискови.

Користете само сечила кои се соодветно наострени.

Користете само ножеви за сечење дрво, специфицирани во овој прирачник, кои се во согласност со EN 847-1.

За да се намали бучавата, алатот мора да биде наострен и сите елементи за намалување на бучавата (поклопците итн.) да бидат уредно наместени.

Смее да се користи само алат што одговара на нормата EN-847-1 Алатите треба да се транспортираат и чуваат во соодветен контејнер.

Неопходно е да изберете го виде ножот кој е погоден за материјалот со сече.

Ок клучно значење е да се остане до максимално специфицираната брзина на сечилото.

Не користете сечила за пила кои се направени од високобрзински челик

Ве молиме не користете абразивни дискови-шмиргли на оваа машина!

Тргнете ги клучевите за затегање. Секогаш пред да го вклучите апаратот, проверете дали сте ги тргнале клучевите за затегање.

Никогаш не посегнувајте во зоната на опасната работна површина при вклучена машина.

Прашината и струготините не смеат да се одстрануваат додека е машината работи.

Горниот заштитен поклопец не смеа да се користи како рачка за транспортирање!

За време на транспортирањето на машината, горниот заштитен поклопец мора да го покрива горниот дел на листот од пилата.

Проверете дали паралелната лизгачка преграда е паралелна со листот од пилата.

Одржувајте го подот чист од остатоци од материјал, на пример струготини или остатоци од пилење.

И покрај придржувањето кон сите релевантни градежни прописи, при работењето на машината може да дојде до некакви опасности, како на пр. поради:

летање на делови од работните предмети;

летање на делови од работните предмети во случај на оштетен алат емисија на бучава емисија на дрвен прах

Извадете го батеријскиот склоп пред отпочнување на каков и да е зафат врз машината.

**ПРЕДУПРЕДУВАЊЕ!** За да избегнете опасноста од пожар, од наранувања или од оштетување на производот, коишто ги создава краток спој, не ја потопувајте во течност алатката, заменливата батерија или полначот и пазете во уредите и во батериите да не проникнуваат течности. Корозивни или електропроводливи течности, како солена вода, одредени хемикалии, избелувачки препарати или производи кои содржат избелувачки супстанции, можат да предизвикаат краток спој.

Користете исклучиво Систем M18 за полнење на батерији од M18 систем. Не користете батерији од друг систем.

Не ги отворајте насилно батериите и полначите, и чувајте ги само на суво место. Чувајте ги постојано суви.

### ПРЕДУПРЕДУВАЊЕ



Овој уред содржи една копчеста литиумска батерија. Доколку се голтне, или доколку влезе во телото, нова или стара батерија може да предизвика тешки внатрешни изгореници и да доведе до смрт за помалку од два часа. Секогаш обезбедувајте го поклопецот на батеријата. Доколку не се затвора добро, запрете го уредот, извадете ја батеријата и држете ја понастрана од деца. Ако мислите дека батеријата била голтната или дека влегла во телото, веднаш побарајте лекарска помош.

### СПЕЦИФИЦИРАНИ УСЛОВИ НА УПОТРЕБА

Користете столна пила само за сечење дрва и продукти на дрво Никогаш не ја користете столна пила за сечење други материјали освен наведените во прирачникот за употреба.

Предмети со кружен или нерамномерен пресек (на пример огревно дрво) не смеат да се пилаат, бидејќи при пилење не можат да се држат сигурно. При аглоно пилење рамни предмети мора да се употребува соодветен помошен аншлаг со цел за безбедно водење.

Сечење со одрежување, аглоно отсечување и сечење под косина со помош на макс. еден монтиран лист за пила.



## ОСТАТОЧНИ ОПАСНОСТИ

Дури и при уредна употреба на производот не можат во целост да се исклучат остаточни опасности. При употребата можат да се појават следниве ризици, поради кое што корисникот мора да обрати внимание на следново:

- За да се спречи оштетувањето на слухот мора да се ограничи времето на експозиција и да се носи соодветна заштита за слух.

- Корисникот треба да превземе мерки за да го редуцира влијанието на вибрациите и за да го ограничи времето на експозиција.

- Треба да се носи маска за заштита на дишењето за да се избегнат ризици по здравјето кои што можат да настанат со вдишување на правот од пилењето.

## ОДРЖУВАЊЕ

Пред да почнете со било какво подесување, чистење и сервисирање на уредот, извадете ја батеријата.

Уверете се дека алатката е исклучена од напојување пред да го прикачите или отстраните сечилото.

Оддалечувајте редовно прашина. Внатре во пилата оддалечувајте натрупени струготини, да се избегна ризик на пожар

Заменете ја изабаната подлога за маса.

Апаратот и заштитната направа очистете ја со сува крпа.

Вентилациските отвори на машината мора да бидат комплетно отворени постојано.

Користете само Milwaukee додаточи и резервни делови. Доколку некои од компонентите кои не се опишани треба да бидат заменети, Ве молиме контактирајте ги сервисните агенти на Milwaukee (консултирајте ја листата на адреси).

Доколку е потребно можно е да биде набавен детален приказ на алатот. Ве молиме наведете го бројот на артиклот како и типот на машина кој е отпечатен на етикетата и порачајте ја скицата кај локалниот застапник или директно кај: Techtronic Industries GmbH, Max-Eyth-Strasse 10, 71364 Winnenden, Germany.

## ONE-KEY™

За да дознаете повеќе за ONE-KEY функциите на овој уред, прочитајте го приложеното упатство за брз старт или посетете не на веб-страницата: <http://www.milwaukeeetool.com/one-key> Апликацијата ONE-KEY можете да ја симнете на Вашиот смартфон преку App Store или Google Play.

Резултатот од инспекцијата ги исполнува нашите минимални барања според EN 301 489-1 / EN 301 489-17. Во прирачникот за корисници на муштериите ќе им дадеме упатство за ракување.

## БАТЕРИИ

Батриите кои не биле користени подолго време треба да се наполнат пред употреба.

Температура повисока од 50oC (122oF) го намалуваат траењето на батериите. Избегнувајте подолго изложување на батериите на високи температури или сонце (ризик од прегревање).

Клемите на полначот и батериите мора да бидат чисти.

За оптимален работен век батериите мора да се наполнат целосно по употреба. Батриите кои не биле користени подолго време треба да се наполнат пред употреба.

За можно подолг век на траење, апаратите после нивното полнење треба да бидат извадени од апаратот за полнење на батериите.

Во случај на складирање на батеријата подолго од 30 дена: Акумулаторот да се чува на температура од приближно 27°C и на суво место. Акумулаторот да се складира на приближно 30%-50% од состојбата на наполнетост. Акумулаторот повторно да се наполни на секои 6 месеци.

Не ги оставајте искористените батери во домашниот отпад и не горете ги. Дистрибутерите на Милвоки ги собираат старите батери, со што ја штитат нашата околина.

Не ги чувајте батериите заедно со метални предмети (ризик од краток спој).

Киселината од оштетените батериите може да истече при екстреман напон или температури. Доколку дојдете во контакт со исатата, измијте се веднаш со сапун и вода. Во случај на контакт со очите плакнете ги убаво најмалку 10 минути и задолжително одете на лекар.

Метални парчиња не смеат да навлезат во делот за полнење на батерија (ризик од краток спој).

## ЗАШТИТА ОД ПРЕОПТЕРУВАЊЕ НА БАТЕРИЈАТА

Во случај на преоптоварување на батериите поради enormно висока потрошувачка на електрична енергија, на пр. екстремно висок број на вртежни моменти, заглавување на оперативната алатка, неочекувано сопирање или краток спој, електричната алатка прекинува со работа и по 2 секунди автоматски се исклучува. За повторно вклучување ослободете го притискачот на прекинувачот, а потоа повторно вклучете. Во случај на екстремни оптоварувања батеријата може да загрее многу. Во таков случај батеријата исклучува. Тогаш ставете ја батеријата во уредот за полнење за повторно да ја наполните и активирате.

## ТРАНСПОРТ НА ЛИТИУМ-ЈОНСКИ БАТЕРИИ

Литиум-јонските батери подложат на законските одредби за транспорт на опасни материи.

Транспортот на овие батери мора да се врши согласно локалните, националните и меѓународните прописи и одредби. Потрошувачите на овие батери може да вршат непречен патен транспорт на истите.

Комерцијалниот транспорт на литиум-јонски батери од страна на шпедитерски претпријатија подлежни на одредбите за транспорт на опасни материи. Подготовките за шпедиција и транспорт треба да ги вршат исклучиво соодветно обучени лица. Целокупниот процес треба да биде стручно надгледуван.

При транспортот на батери треба да се внимава на следното: Осигурајте се дека контактите се заштитени и изолирани, а сето тоа со цел да се избегнат кратки споеви. Внимавајте да не дојде до изместување на батериите во нивната амбалажа. Забранет е транспорт на оштетени или протечени литиум-јонски батери. За понатамошни инструкции обратете се до Вашето шпедитерско претпријатие.



## ЕУ-ДЕКЛАРАЦИЈА ЗА СООБРАЗНОСТ

Под целосна лична одговорност изјавуваме дека производот опишан во „Технички податоци“ е во сообразност со сите релевантни прописи од директивите 2011/65/EU (RoHS) 2006/42/EC 2014/53/EU

и дека се применети следните хармонизирани стандарди

EN 62841-1:2015

EN 62841-3-1:2014+AC:2015+A11:2017

EN 62479:2010

EN 55014-1:2017+A11:2020

EN 55014-2:2015

EN IEC 63000:2018

EN 301 489-1 V2.2.3

EN 301 489-17 V3.1.1

EN 300 328 V2.2.2



Winnenden, 2020-11-11

Alexander Krug / Managing Director

Ополномоштен за составување на техничката документација.

Techtronic Industries GmbH

Max-Eyth-Straße 10, 71364 Winnenden, Germany

## СИМБОЛИ



Ве молиме пред да ја стартувате машината обрнете внимание на упатствата за употреба.



ВНИМАНИЕ! ПРЕДУПРЕДУВАЊЕ! ОПАСНОСТ!



Извадете го батерискиот склоп пред отпочнување на каков и да е зафат врз машината.



Носете штитник за уши.

Не ја вдишувајте. Носете соодветна заштитна маска.



Секогаш при користење на машината носете ракавици.



Носете ракавици!



Никогаш не ги поставувајте рацете во подрачјето на дискот за сечење.



Овој алат е исклучиво за внатрешна употреба. Никогаш не го изложувајте алатот на дожд.



Дополнителна опрема - Не е вклучена во стандардната, а достапна е како додаток.



Летвата со перца и гредичката за туркање може да се купат од специјализирани дилери. Ве молиме да користите само висококвалитетен прибор.



Електричните апарати и батериите што се полнат не смеат да се фрлат заедно со домашниот отпад. Електричните апарати и батериите треба да се собираат одделно и да се однесат во соодветниот погон заради нивно фрлање во склад со начелата за заштита на околината. Информирајте се кај Вашите местни служби или кај специјализираниот трговски претставник, каде има такви погони за рециклажа и собирни станици.

**n<sub>0</sub>**

Брзина без оптоварување

**V**

Волти



Истосмерна струја



Европска ознака за сообразност



Британска ознака за сообразност



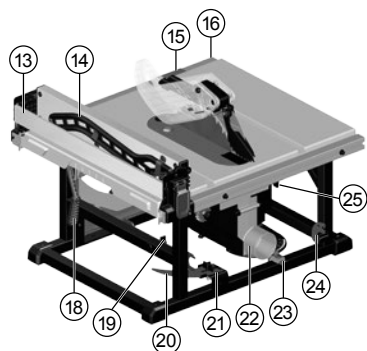
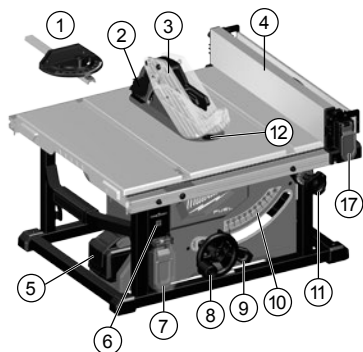
Украинска ознака за сообразност



Евроазиска ознака за сообразност



| ТЕХНІЧНІ ХАРАКТЕРИСТИКИ   |                                    | M18 FTS210                |
|---|------------------------------------|---------------------------|
| <b>Настільна циркулярна пила</b>  |                                    |                           |
| Номер виробу  | 4609 60 02...<br>... 000001-999999 |                           |
| Напруга змінної акумуляторної батареї   | 18 V                               |                           |
| Кількість обертів холостого ходу  | 6300 min <sup>-1</sup>             |                           |
| діапазон частот   | 2402-2480 MHz                      |                           |
| потужність радіовипромінювання  | 1,8 dBm                            |                           |
| Ø пилкового диску х Ø отвору  | 210 x 30 mm                        |                           |
| Товщина тіла пильного полотна   | макс. 1,55 mm                      |                           |
| Товщина зубців  | мін. 1,8 mm<br>макс. 2,2 mm        |                           |
| Макс. глибина різання при 0 / 45°   | 63,5 / 44 mm                       |                           |
| Відстань між напрямною планкою та лезом пили макс.  | Зліва<br>Справа                    | 310 mm<br>525 mm / 622 mm |
| Вага згідно з процедурою ЕРТА 01/2014 (Li-Ion 2,0 Ah ... 12,0 Ah)                                   | 21,2 kg ... 22,3 kg                |                           |
| Температура навколишнього середовища, рекомендована для експлуатації                                | -18°C ... +50°C                    |                           |
| Рекомендовані акумулятори   | M18B... / M18NB...                 |                           |
| Рекомендовані зарядні пристрої  | M12-18... / M1418 C6               |                           |
| <b>Інформація про шум</b>   |                                    |                           |
| Вимірні значення визначені згідно з EN 62841. Рівень шуму „А“ приладу становить в типовому випадку: |                                    |                           |
| Рівень звукового тиску (похибка К = 3 дБ(А))  | 92,37 dB(А)                        |                           |
| Рівень звукової потужності (похибка К = 3 дБ(А))  | 103,37 dB(А)                       |                           |
| <b>Використовувати засоби захисту органів слуху!</b>  |                                    |                           |



#### Опис пристрою

- ① Головка для розрізання під кутом
- ② Упори для захисту від зворотного удару
- ③ Розпірний ніж з захисною кришкою / Захисний щиток леза
- ④ Напрямна планка
- ⑤ Акумуляторна батарея
- ⑥ Індикатор ONE KEY
- ⑦ Вимикач живлення / Кришка перемикача
- ⑧ Крутень для налаштування висоти
- ⑨ Блокувальний важіль для скошених зрізів
- ⑩ Масштабна лінійка
- ⑪ Колесо налаштування планки
- ⑫ Захисна пластина / Фіксатор захисної пластини
- ⑬ Подовжувана перекидна планка
- ⑭ Штовхач
- ⑮ Індикатор обрізної лінійки
- ⑯ Індикатор обрізної
- ⑰ Фіксатори планки
- ⑱ Стопор планки
- ⑲ Відсік ключа для леза / Відсік ключа
- ⑳ Розпірний ніж
- ㉑ Розпірний ніж / Розпірний ніж з захисною кришкою для леза
- ㉒ Лоток для збору пилу
- ㉓ Головка для розрізання під кутом для леза
- ㉔ Упори для захисту від зворотного удару для леза
- ㉕ Розпірний ніж важіль для розблокування

Українська



**ПОПЕРЕДЖЕННЯ** Ознайомтеся з усіма вказівками щодо техніки безпеки, інструкціями, ілюстраціями та відомостями, що було надано разом із приладом. Упущення при дотриманні вказівок з техніки безпеки та інструкцій можуть призвести до ураження електричним струмом, пожежі та/або тяжких травм. **Зберігайте всі вказівки з техніки безпеки та інструкції на майбутнє.**



## ІНСТРУКЦІ З ТЕХНІКИ БЕЗПЕКИ ДЛЯ НАСТІЛЬНИХ ПИЛ

### 1) Попередження щодо захисних елементів

a) **Захисні щитки повинні бути на місці. Щитки повинні бути в робочому стані та встановлені належним чином.**

Від'єднані та пошкоджені щитки або ті, що не працюють належним чином, необхідно ремонтувати чи замінювати.

b) **Для всіх операцій з розрізання користуйтеся захисним щитком лева пили, розпірним ножом та пристроєм для захисту від зворотного удару.** Під час виконання операцій наскрізного розрізання, коли лезо пили виконує розріз на всю товщину заготовки, захисні щитки та інші запобіжні пристрої допомагають знизити ризик поранення.

c) **Після виконання операції (наприклад, прорізання пазів), яка потребує зняття захисного щитка, розпірного ножа та/або пристрою для захисту від зворотного удару, негайно встановлюйте запобіжні пристрої на місце.** Захисний щиток, розпірний ніж та/або пристрій для захисту від зворотного удару допомагають знизити ризик поранення.


d) **Перед вмиканням за допомогою вимикача переконайтеся в тому, що лезо пили не контактує з захисним щитком, розпірним ножом та/або пристроєм для захисту від зворотного удару.** Їх випадковий контакт із лезом пили може спричинити небезпечну ситуацію.

e) **Юстувати розпірний клин так, як описано в інструкції з експлуатації.** Неправильне налаштування проміжку, неправильний вибір положення або неправильне вирівнювання можуть призвести до того, що розпірний ніж не зможе ефективно зменшувати вірогідність зворотного удару.

f) **Щоб розпірний ніж і пристрій для захисту від зворотного удару функціонували належним чином, вони повинні контактувати з заготовкою.** Розпірний ніж і пристрій для захисту від зворотного удару неефективні під час розрізання занадто коротких заготовок, що не контактують із ними. У таких ситуаціях неможливо попередити зворотний удар за допомогою розпірного ножа та/або пристрою для захисту від зворотного удару.

g) **Використовувати розпірний клин, який підходить до використовуваного пилкового диска.** Щоб розпірний ніж функціонував належним чином, діаметр лева пили повинен відповідати розпірному ножу, тіло лева пили повинно бути меншим за товщину розпірного ножа, а ширина розрізання лева пили повинна бути більшою за товщину розпірного ножа.

### 2) Попередження щодо процедури розрізання

a)  **НЕБЕЗПЕЧНО: У жодному разі не тримайте пальці чи руки поблизу або на одній лінії з лезом**

пили. Через неухважність або поскоквання ваші руки можуть стикнутися з лезом пили, що спричинить важке поранення.

b) **Подавайте заготовку до лева пили лише в напрямку, протилежному до напрямку обертання.** Якщо подавати заготовку в тому ж напрямку, в якому обертається лезо пили над столом, сила обертання може затягнути заготовку та ваші руки до лева пили.

c) **У жодному разі не подавайте заготовку за допомогою кутового упору під час повздовжнього розрізання та не використовуйте напрямну планку як обмежувач довжини під час поперечного розрізання з кутовим упором.** Якщо ви подаєте заготовку одночасно напрямною планкою та кутовим упором, це збільшує вірогідність затискування лева пили та зворотного удару.

d) **Під час поперечного розрізання завжди прикладайте зусилля подачі між планкою та лезом пили.** Якщо відстань між планкою та лезом пили менше 150 мм, користуйтеся штовхачем, а якщо відстань менше 50 мм, — запобіжною колодкою. Ці допоміжні пристрої дозволяють вам тримати руки на безпечній відстані від лева пили.

e) **Користуйтеся штовхачами, які було надано виробником або сконструйовано відповідно до інструкцій.** Штовхач забезпечує достатню відстань від руки до лева пили.

f) **У жодному разі не користуйтеся пошкодженим або розрізаним штовхачем.** Пошкоджений штовхач може поламатися, в результаті чого ваші руки потраплять на лезо пили.

g) **Не виконуйте жодних операцій вручну.** Завжди користуйтеся напрямною планкою чи кутовим упором для спрямування та встановлення положення заготовки. «Вручну» означає, що ви підтримуєте чи спрямовуєте заготовку руками, а не напрямною планкою чи кутовим упором. Розпилювання вручну призводить до неправильного вирівнювання, затискування та зворотного удару.

h) **У жодному разі не простягайте руки в напрямку до лева пили, що обертається, та не тримайте руки над ним.** Тягнучись за заготовкою, ви можете випадково контактувати з лезом пили, що рухається.

i) **Щоб утримувати довгі та/або широкі заготовки на належному рівні, користуйтеся боковою чи задньою частиною столу пили як додатковою опорою для заготовки.** Довгі та/або широкі заготовки схильні до хитання на краю столу, що може призвести до втрати контролю, до затискування лева пили чи до зворотного удару.

j) **Подавайте заготовку в рівномірному темпі. Не згинайте та не перекручуйте заготовку. У разі затискування негайно вимкніть інструмент, від'єднайте його, а потім усуньте затискування.** Затискування лева пили заготовкою може спричинити зворотний удар або зупинку двигуна.

k) **Не видаляйте шматки відрізаного матеріалу, коли пила обертається.** Матеріал може застрягти між планкою чи внутрішньою стороною щитка та лезом пили, затягнувши ваші пальці до лева пили. Перед видаленням матеріалу вимкніть пилу та дочекайтеся, доки лезо пили не зупиниться.



l) Під час поперечного розрізання заготовок товщиною менше 2 мм користуйтеся допоміжною планкою, що контактує зі стільницею. Тонкі заготовки можуть заклинювати під напрямною планкою та спричинити зворотний удар.

### 3) Причини та запобігання віддачі:

Зворотний удар — це раптова реакція заготовки на затискання чи заклинювання леза пили, або на неправильне вирівнювання лінії розрізання заготовки відносно леза пили, або на застрягання частини заготовки між лезом пили та напрямною планкою чи іншим закріпленим об'єктом.

Найчастіше у разі зворотного удару задня частина леза пили піднімає заготовку над столом та викидає її в бік оператора.

Віддача є наслідком неправильного або помилкового використання пилки. Її можна попередити відповідними запобіжними заходами, які описано нижче.

a) У жодному разі не стійте на одній лінії з лезом пили. Завжди ставайте з того боку леза пили, з якого встановлено планку. Зворотний удар може викинути заготовку на великій швидкості в бік того, хто стоїть спереду на одній лінії з лезом пили.

b) У жодному разі не простягайте руки над лезом пили чи позаду нього, щоб вийняти або підтримати заготовку. Існує ризик контакту з лезом пили, або зворотний удар може затягнути ваші пальці до леза пили.

c) У жодному разі не утримуйте та не притискайте заготовку, що розрізається, в напрямку леза пили, що обертається. Притискання заготовки, що розрізається, до леза пили призведе до защемлення та зворотного удару.

d) Вирівнюйте планку паралельно до леза пили. Неправильне вирівнювання планки призведе до затискання заготовки між нею та лезом пили, що спричинить зворотний удар.

e) Щоб переміщувати заготовку по столу та вздовж планки під час виконання не наскрізних розрізів (наприклад, прорізання пазів), користуйтеся гребінчастим притискачем. Гребінчастий притискач допомагає контролювати заготовку в разі зворотного удару.

f) Будьте особливо уважні під час виконання розрізів у сліпій зоні заготовок, які складаються з кількох частин. Під час руху лезо пили може розрізати певні об'єкти, які можуть спричинити зворотний удар.

g) Забезпечте опору для великих панелей, щоб мінімізувати ризик защемлення леза пили та ризик зворотного удару. Великі панелі мають тенденцію до провисання під дією власної ваги. Опори необхідно встановити під всіма ділянками панелі, що виходять за межі стільниці.

h) Будьте особливо обережні під час розрізання перекручених, гулястих, деформованих заготовок, або таких, що не мають прямого краю, спираючись на який їх можна спрямувати за допомогою кутового упору або вздовж планки. Перекручені, гулясті, деформовані заготовки нестабільні та спричиняють викривлення лінії пропилю відносно леза пили, що призводить до защемлення та зворотного удару.

i) У жодному разі не розрізайте більше однієї заготовки та не штабелюйте заготовки вертикально чи горизонтально. Лезо пили може зачепити одну чи кілька заготовок у штабелі, що спричинить зворотний удар.

j) Якщо ви повторно вмикаєте пилу, коли лезо знаходиться в заготовці, відцентруйте лезо в пропилі таким чином, що зубці не контактували з матеріалом. Якщо лезо пили застрягне, воно може підняти заготовку та спричинити зворотний удар під час повторного вмикання пили.

k) Леза пили повинні бути чистими та гострими та мати достатню кількість зубців. У жодному разі не користуйтеся деформованими лезами або лезами зі зламаними чи вигнутими зубцями. Гострі леза з належною кількістю зубців мінімізують ризик защемлення, зупинки та зворотного удару.

### 4) Попередження щодо процедури експлуатації настільної пили

a) Вимикайте настільну пилу та від'єднайте акумулятор, якщо ви виймаєте пластину для пропилю, замінюєте лезо пили, налаштуєте розпірний ніж, пристрій захисту від зворотного удару чи захисний щиток леза, або якщо ви залишаєте машину без нагляду. Запобіжні заходи допоможуть уникнути нещасних випадків.

b) У жодному разі не залишайте без нагляду настільну пилу, що працює. Вимкніть її та не відходьте від інструмента, доки він не зупиниться повністю. Робота пили без нагляду становить неконтрольовану небезпеку.

c) Розміщуйте настільну пилу в добре освітленому місці на рівній поверхні, де ви зможете впевнено стояти на ногах та тримати рівновагу. Встановлюйте її в такій області, де є достатньо місця, щоб легко вратися з розміром заготовки. Обмежений простір, погане освітлення та нерівна слизька підлога збільшують імовірність нещасних випадків.

d) Достатньо часто прибирайте та видаляйте тирсу з-під столу пили та/або з пилосбірника. Пил, що накопичується, є вибухонебезпечним і самозаймистим.

e) Настільну пилу необхідно закріпити. Якщо настільну пилу не закріплено належним чином, вона може зміститися чи перекинутися.

f) Перед вмиканням настільної пили приберіть зі столу інструменти, обрізки деревини тощо. Предмети, що можуть відволікти уваги або спричинити защемлення, є небезпечними.

g) Завжди користуйтеся лезами пили, що мають правильний розмір і форму кріпильних отворів (для діамантових чи круглих лез). Леза, що не відповідають кріпильному обладнанню пили, будуть обертатися незбалансовано, через що вони можуть вийти з-під контролю.

h) У жодному разі не використовуйте неправильно або пошкоджене кріпильне обладнання для леза пили, наприклад фланці, шайби, болти та гайки для лез. Це кріпильне обладнання було спеціально розроблено для вашої пили, щоб забезпечити безпечну роботу та максимальну продуктивність.



і) **Не стійте на настільній пилі та не використовуйте її як драбину.** У разі випадкового контакту з різальним інструментом або якщо інструмент перекинеться, можливі важкі поранення.

ж) **Переконайтеся в тому, що лезо пили встановлено таким чином, щоб воно оберталось в правильному напрямку. Не користуйтеся абразивними дисками, дротяними щітками чи шліфувальними кругами на настільній пилі.** Неправильне встановлення леза пили або використання приладдя, яке не було рекомендовано, можуть спричинити важке поранення.

### Додаткові інструкції з техніки безпеки та експлуатації

Вирізання канавок, виймка повздовжніх борозн, розпилювання на заготовки заданого розміру та пряме розрізання формованих деталей заборонено.

Користуйтеся засобами захисту органів слуху. Вплив шуму може спричинити втрату слуху.

Використовуйте індивідуальні засоби захисту. Під час роботи з машиною завжди носіть захисні окуляри. Радимо використовувати захисний одяг, як наприклад маску для захисту від пилу, захисні рукавиці, міцне та нековзне взуття, каску та засоби захисту органів слуху.

Пил, що утворюється під час роботи, часто буває шкідливим для здоров'я; він не повинен потрапляти в організм. Використовувати засоби для відсмоктування пилу та додатково носити відповідну маску для захисту від пилу. Відкладення пилу ретельно видаляти, наприклад, пилососом.

Завжди забезпечувати стійке положення машини.

Перед першим використанням приладу радимо уважно прочитати цю інструкцію з експлуатації та пройти інструктаж з практичного використання.

Не використовувати пилкові диски, що пошкоджені або деформовані.

Використовувати тільки пилкові диски, що наточені належним чином.

Використовуйте тільки леза для деревообробки, вказані в цьому посібнику, що відповідають стандарту EN 847-1.

Щоб знизити утворення шуму до мінімуму, інструмент повинен бути заточений, всі елементи зниження рівня шуму (кришки та ін.) повинні бути відрегульовані належним чином.

Слід використовувати лише ті інструменти, які відповідають EN 847-1.

Інструменти слід транспортувати та зберігати в відповідному контейнері.

Вибрати пилковий диск відповідно до оброблюваного матеріалу. Необхідно витримувати максимальну кількість обертів, вказану на пилковому диску.

Не використовувати пилкові диски, вироблені з швидкорізальної сталі.

Не використовувати шліфувальні диски!

Зняти затискний ключ. Перед увімкненням приладу завжди перевіряти, чи знятий затискний ключ.

Необхідно повідомити відповідальній особі про несправності машини, в тому числі несправності захисного приладу або пилкового диску, як тільки вони виявляються.

Частини тіла не повинні потрапляти в небезпечну область машини, коли вона працює.

Не можна видаляти стружку або уламки, коли машина працює.

Верхній захисний кожух не можна використовувати як ручку для перенесення!

Під час транспортування машини верхній захисний кожух повинен закривати верхню частину пилкового диску.

Перевірте, чи паралельна напрямна розташована паралельно до пилкового диску.

На підлозі не повинно бути залишків матеріалів - стружки та тирси.

Попри виконання всіх відповідних будівельних правил при використанні машини може виникати небезпека, наприклад, через:

деталі заготовок, що відлітають  
деталі інструментів, що відлітають при їх пошкодженні, емісію шуму, емісію деревеного пилу.


Перед будь-якими роботами на приладі вийняти змінну акумуляторну батарею.

**ПОПЕРЕДЖЕННЯ!** Для запобігання небезпеці пожежі в результаті короткого замикання, травматів і пошкодження виробів не занурюйте інструмент, змінний акумулятор або зарядний пристрій у рідину і не допускайте потрапляння рідини всередину пристроїв або акумуляторів. Корозійні і струмопровідні рідини, такі як солоний розчин, певні хімікати, вибілювальні засоби або продукти, що їх містять, можуть призвести до короткого замикання.

Знімні акумуляторні батареї системи M18 заряджати лише зарядними пристроями системи M18. Не заряджати акумуляторні батареї інших систем.

Не відкривати знімні акумуляторні батареї і зарядні пристрої та зберігати їх лише в сухих приміщеннях. Берегти від вологи.

### ПОПЕРЕДЖЕННЯ

 Пристрій використовує кнопковий/пластикий круглий літєвий акумулятор. Новий або використаний акумулятор може спричинити сильні внутрішні опіки та призвести до смерті протягом 2 годин у разі проковтування чи потрапляння в організм. Завжди закріплюйте кришку акумуляторного відсіку. Якщо вона не закривається надійно, зупиніть пристрій, вийміть акумулятор і зберігайте його в недоступному для дітей місці. Якщо ви вважаєте, що людина проковтнула акумулятор чи що акумулятор іншим шляхом потрапив в організм, зверніться за терміновою медичною допомогою.

### ВИКОРИСТАННЯ ЗА ПРИЗНАЧЕННЯМ

Використовувати настільну циркулярну пилку тільки для різання деревини та виробів з деревини.

Настільну циркулярну пилку ніколи не використовувати для різання інших матеріалів, крім тих, що вказані в інструкції з експлуатації.

Не можна розпилювати заготовки з круглим або нерівним перерізом (наприклад, дерева), бо їх неможливо надійно утримувати при пилянні. При пилянні плоских заготовок, що стоять на ребрі, необхідно використовувати відповідний допоміжний упор для безпечного спрямування пилки.

Повздовжнє розрізання, поперечне розрізання, розрізання під кутом і скошене розрізання виконуються максимум одним встановленим лезом пили.



## ЗАЛИШКОВІ НЕБЕЗПЕКИ

Навіть при належному застосуванні виробу неможливо повністю виключити залишкові ризики. При використанні можуть виникати наступні ризики, і тому користувач повинен звертати увагу на наступне:

- Щоб запобігти ураженню слуху, необхідно знизити час впливу та носити відповідні засоби захисту органів слуху.
- Користувач повинен вжити заходів, щоб знизити дію вібрації та обмежити тривалість дії вібрації.
- Необхідно носити фільтруючу захисну маску, щоб уникнути ризиків для здоров'я внаслідок вдихання пилу після пиляння.

## ОБСЛУГОВУВАННЯ

Перед початком будь-яких робіт із налаштування, очищення чи технічного обслуговування пристрою вийміть акумулятор.

Перед прикріпленням чи зняттям леза пили переконайтеся в тому, що інструмент від'єднано від живлення.

Регулярно чистити від пилу. Видаляти стружку, що накопичується всередині пилки, щоб уникнути ризику пожежі.

Замініти зношену вкладку стола.

Чистити прилад та захисний пристрій сухою серветкою.

Завжди підтримувати чистоту вентиляційних отворів.

Використовувати тільки комплектуючі та запчастини Milwaukee. Деталі, заміна яких не описується, замінювати тільки в відділі обслуговування клієнтів Milwaukee (зверніть увагу на брошуру „Гарантия / адреси сервісних центрів“).

У разі необхідності можна запросити креслення з зображенням вузлів машини в перспективному вигляді, для цього потрібно звернутися в ваш відділ обслуговування клієнтів або безпосередньо в Techtronic Industries GmbH, Max-Eyth-Straße 10, 71364 Winnenden, Німеччина, та вказати тип машини та шестизначний номер на фірмовій табличці з даними машини.

## ONE-KEY™

Додаткову інформацію щодо функції ONE-KEY цього пристрою див. в наданому до цього продукту короткому посібнику щодо початку роботи або на нашому інтернет-сайті <http://www.milwaukeeool.com/one-key>

Можна завантажити застосунок ONE-KEY через App Store або Google Play на ваш смартфон.

Результат випробування відповідає нашим мінімальним вимогам згідно з EN 301 489-1 / EN 301 489-17. Ми надамо замовнику інструкції з експлуатації в посібнику користувача.

## АКУМУЛЯТОРНІ БАТАРЕЇ

Знімну акумуляторну батарею, що не використовувалася тривалий час, перед використанням необхідно підзарядити.

Температура понад 50 °C зменшує потужність знімної акумуляторної батареї. Уникати тривалого нагрівання сонячними променями або системою обігріву.

З'єднувальні контакти зарядного пристрою та знімної акумуляторної батареї повинні бути чистими.

Для забезпечення оптимального строку експлуатації акумуляторної батареї після використання необхідно повністю зарядити. Знімну акумуляторну батарею, що не використовувалася тривалий час, перед використанням необхідно підзарядити.

Для забезпечення максимально можливого терміну експлуатації акумуляторної батареї після зарядки необхідно виймати з зарядного пристрою.

При зберіганні акумуляторної батареї понад 30 днів: Зберігати акумуляторну батарею при температурі приблизно 27 °C в сухому місці. Зберігати акумуляторну батарею в стані зарядки приблизно 30-50 %. Кожні 6 місяців заново заряджати акумуляторну батарею.

Відпрацьовані знімної акумуляторні батареї не можна кидати у вогонь або викидати з побутовими відходами. Milwaukee пропонує утилізацію старих знімних акумуляторних батарей, безпечно для довкілля; зверніться до свого дилера.

Не зберігати знімної акумуляторні батареї разом з металевими предметами (небезпека короткого замикання).

При екстремальному навантаженні або при екстремальній температурі з пошкоджені знімної акумуляторної батареї може витікати електроліт. При потрапленні електроліту на шкіру його негайно необхідно змити водою з милом. При потрапленні в очі їх необхідно негайно ретельно промити, щонайменше 10 хвилин, та негайно звернутися до лікаря.

В гніздо зарядного пристрою, яке призначене для встановлення знімної акумуляторної батареї, не повинні потрапляти металеві деталі (небезпека короткого замикання).

## ЗАХИСТ АКУМУЛЯТОРНОЇ БАТАРЕЇ ВІД ПЕРЕВАНТАЖЕННЯ

При перевантаженні акумуляторної батареї внаслідок занадто високого споживання струму, наприклад, занадто високий крутильний момент, заклинювання вставного інструмента, раптова зупинка або коротке замикання, електроінструмент зупиняється на протязі 2 секунд та самостійно вимикається. Для повторного увімкнення відпустити кнопку вимикача і знову увімкнути. При надзвичайному навантаженні акумуляторна батарея може дуже сильно нагрітися. В такому випадку акумуляторна батарея вимикається. Вставити акумуляторну батарею в зарядний пристрій, щоб знову зарядити та активувати її.

## ТРАНСПОРТУВАННЯ ЛІТІЙ-ІОННИХ АКУМУЛЯТОРНИХ БАТАРЕЙ

Літій-іонні акумуляторні батареї підпадають під законоположення про перевезення небезпечних вантажів.

Транспортування таких акумуляторних батарей повинно відбуватися із дотриманням місцевих, національних та міжнародних приписів та положень.

споживачі можуть без проблем транспортувати ці акумуляторні батареї по вулиці.

Комерційне транспортування літій-іонних акумуляторних батарей експедиторськими компаніями підпадає під положення про транспортування небезпечних вантажів.

Підготовку до відправлення та транспортування можуть здійснювати виключно особи, які пройшли відповідне навчання. Весь процес повинні контролювати кваліфіковані фахівці.

При транспортуванні акумуляторних батарей необхідно дотримуватись зазначених далі пунктів:

Переконайтеся в тому, що контакти захищені та ізольовані, щоб запобігти короткому замиканню. Слідкуйте за тим, щоб акумуляторна батарея не переміщувалася всередині упаковки. Пошкоджені акумуляторні батареї, або акумуляторні батареї, що потекли, не можна транспортувати. Для отримання подальших вказівок звертайтеся до своєї експедиторської компанії.



УКР

## СЕРТИФІКАТ ВІДПОВІДНОСТІ ВИМОГАМ ЄС

Ми заявляємо на власну відповідальність, що виріб, описаний в „Технічних даних“, відповідає всім застосовним положенням директиви 2011/65/EU (RoHS) 2006/42/EC 2014/53/EU

та наступним гармонізованим нормативним документам:

EN 62841-1:2015  
EN 62841-3-1:2014+AC:2015+A11:2017  
EN 62479:2010  
EN 55014-1:2017+A11:2020  
EN 55014-2:2015  
EN IEC 63000:2018  
EN 301 489-1 V2.2.3  
EN 301 489-17 V3.1.1  
EN 300 328 V2.2.2



Winnenden, 2020-11-11

Alexander Krug / Managing Director  
Уповноважений із складання технічної документації.  
Techtronic Industries GmbH  
Max-Eyth-Straße 10, 71364 Winnenden, Germany

## СИМВОЛИ



Уважно прочитайте інструкцію з експлуатації перед введенням приладу в дію.



**УВАГА! ПОПЕРЕДЖЕННЯ! НЕБЕЗПЕЧНО!**



Перед будь-якими роботами на приладі виийняти зміну акумуляторну батарею.



Використовувати засоби захисту органів слуху!  
Носити відповідну маску для захисту від пилу.



Під час роботи з машиною завжди носити захисні окуляри.



Носити захисні рукавиці!



Руки ніколи не повинні знаходитися в області пилкового диску.



Пристрій підходить тільки для використання в приміщеннях, не виставляти пристрій під дощ.



Комплектуючі - не входять в обсяг постачання, рекомендовані доповнення з програми комплектуючих.



Гребінчасті притискачі та штовхачі можна придбати в спеціалізованих дилерів. Користуйтеся лише високоякісним приладдям.



Електроприлади, батареї/акумулятори заборонено утилізувати разом з побутовим сміттям. Електричні прилади і акумулятори слід збирати окремо і здавати в спеціалізовану компанію для утилізації відповідно до норм охорони довкілля. Зверніться до місцевих органів або до вашого дилера, щоб отримати адреси пунктів вторинної переробки та пунктів прийому.

$n_0$

Кількість обертів холостого ходу

V

Напруга



Постійний струм



Європейський знак відповідності



Британський знак відповідності




Український знак відповідності



Євразійський знак відповідності



يرجى قراءة التعليمات بعناية قبل بدء تشغيل الجهاز. 

تنبيه! تحذير! خطرا!



انزع البطارية قبل التعامل مع الجهاز.



ارتد واقبات الأذن!  
لا تستنشق هذه الأتربة. ارتد قناعًا واقياً من الأتربة  
مناسياً.



ارتد دائماً نظارات الوقاية عند استخدام الجهاز.



ارتد القفازات!



احتفظ دائماً بيديك بعيداً عن مسار شفرة المنشار.



هذه الأداة مناسبة للاستخدام الداخلي فقط. لا تُعرّض  
الأداة للمطر مطلقاً.



الملحق - ليس مدرجاً كمعدة قياسية، متوفر كملحق.



يمكن شراء اللوحة الريشية وكذل الدفع من التجار  
المتخصصين. يرجى استخدام الملحقات ذات الجودة  
العالية فقط.



يحظر التخلص من الأجهزة الكهربائية والبطاريات/  
البطاريات القابلة للشحن في القمامة المنزلية. يجب  
جمع الأجهزة الكهربائية والبطاريات القابلة للشحن  
منفصلة وتسليمها للتخلص منها بشكل لا يضر  
بالبيئة لدى شركة إعادة استغلال. الرجاء الاستفسار  
لدى الهيئات المحلية أو لدى التجار المتخصصين  
عن مواقع إعادة الاستغلال ومواقع الجمع.



أقصى سرعة دون وجود حمل  $n_0$

وحدات الفولط  $V$

التيار المستمر  $==$

علامة التوافق الأوروبية  $CE$

علامة التوافق البريطانية  $UK CA$

علامة التوافق الأوكرانية  $001$

علامة التوافق الأوروبية الآسيوية  $EAC$



## إعلان المطابقة - الاتحاد الأوروبي

نعلم تحت مسؤوليتنا وحدنا أن المنتج المعين تحت اسم  
"البيانات الفنية" يستوفي جميع الأحكام ذات الصلة ضمن  
التوجيهات

2011/65/EU (RoHS)

2006/42/EG

2014/53/EU

والمعايير المتسقة التالية

EN 62841-1:2015

EN 62841-3-1:2014+AC:2015+A11:2017

EN 62479:2010

EN 55014-1:2017+A11:2020

EN 55014-2:2015

EN IEC 63000:2018

EN 301 489-1 V2.2.3

EN 301 489-17 V3.1.1

EN 300 328 V2.2.2

Winnenden, 2020-11-11



*Alexander Krug*

Alexander Krug / Managing Director  
معتمدة للمطابقة مع الملف الفني

Techtronic Industries GmbH  
Max-Eyth-Straße 10, 71364 Winnenden,  
Germany

لا تتخلص من البطاريات المستعملة مع النفايات المنزلية أو  
بحرقها. يقدم موزعو ميلوكي خدمة استعادة البطاريات القديمة  
لحماية البيئة.

لا تقم بتخزين البطارية مع الأشياء المعدنية (خطر قصر  
الدائرة)..

قد يتسرب حامض البطارية من البطاريات التالفة في ظروف  
الحمل الزائد بدرجة كبيرة أو في درجات الحرارة الشديدة.  
في حالة ملامسة حامض البطارية اغسل يديك فوراً بالماء  
والصابون. في حالة ملامسة السائل للعينين اشطفهما جيداً  
لمدة 10 دقائق على الأقل واطلب العناية الطبية فوراً.

يجب تجنب دخول أى أجزاء معدنية فى قسم البطارية الخاصة  
بالشاحن (خطر الماس الكهربائي)..

## حماية البطارية

في حالة التحميل الزائد على البطارية نتيجة استهلاك طاقة  
كهربائية عالية جداً، على سبيل المثال عزم دوران عالي جداً،  
أو إنحسار الآلة المستخدمة أو التوقف المفاجئ أو حدوث ماس  
كهربائي تتوقف الآلة الكهربائية لمدة دقيقتين وتتوقف تلقائياً  
عن العمل. لإعادة الضبط، حرر الزناد. في الظروف القصوى  
للعمل، قد ترتفع درجة حرارة البطارية الداخلية بشدة. إذا ما  
حدث ذلك، ستتوقف البطارية عن العمل. ضع البطارية على  
الشاحن للشحن ثم أعد ضبطها.

## نقل بطاريات الليثيوم

تخضع بطاريات الليثيوم أيون لشروط قوانين نقل السلع  
الخطرة.

ويجب نقل هذه البطاريات وفقاً للأحكام والقوانين المحلية  
والوطنية والدولية.

يمكن للمستخدم نقل البطاريات براً دون الخضوع لشروط  
أخرى.

يخضع النقل التجاري لبطاريات الليثيوم أيون عن طريق  
الغبر إلى قوانين نقل السلع الخطرة. يتعين أن يقوم أفراد  
مدرّبون جيداً بالإعداد لعملية النقل والقيام بها بصحبة خبراء  
مثلهم.

متى تُنقل البطاريات:

عند التأكد من حماية أطراف توصيل البطارية وعزلها تجنباً  
لحدوث قصر بالدائرة. عند التأكد من حماية حزمة البطارية  
من الحركة داخل صندوق التعبئة. يُرجى عدم نقل البطاريات  
التي بها تشققات أو تسربات. يُرجى البحث مع شركة الشحن  
عن نصيحة أخرى



## المخاطر المتبقية

حتى في حالة استخدام المنتج تبعاً للتعليمات لا يمكن استبعاد باقي المخاطر بشكل تام. في حالة الاستخدام يمكن حدوث المخاطر التالية، لذا يجب على المستخدم مراعاة ما يلي:

- لتجنب أضرار السمع، يجب قصر فترة التعرض للخطر وارتداء واقي مناسب للسمع.

- يجب على المستخدم اتخاذ إجراءات لخفض تأثير الاهتزاز والحد من فترة التعرض للخطر.
- يجب ارتداء قناع واقي للتنفس، لتجنب المخاطر الصحية، التي يمكن أن تنتج من جراء استنشاق أتربة النشارة.

## الصيانة

قم بإزالة حزمة البطارية قبل بدء أية أعمال للتعديل والتنظيف والصيانة على الجهاز.

تأكد من فصل الأداة من مورد الطاقة قبل تركيب نصل المنشار أو إزالته.

أزل الغبار دورياً، أزل غبار النشر الناتج عن المنشار والمتراكم بدائله لتجنب خطر الحريق.

استبدل ملقمة الطاولة عند تأكلها

نظف الجهاز وحاجب الحماية بفضة جافة.

يجب أن تكون فتحات تهوية الجهاز نظيفة طوال الوقت.

استخدم فقط ملقحات ميلوكي وكذلك قطع غيار ميلوكي. إذا كانت المكونات التي يجب تغييرها غير مذكورة، يرجى الاتصال بأحد عملاء صيانة ميلوكي (انظر قائمة عناوين الضمان/الصيانة الخاصة بنا).

عند الحاجة يمكن طلب رمز انفجار الجهاز بعد ذكر طراز الآلة والرقم السداسي المكون على بطاقة طاقة الآلة لدى جهة خدمة العملاء أو مباشرة لدى شركة

**Techtronic Industries**  
GmbH, Max-Eyth-Straße 10  
Winnenden 71364  
المانيا

## TM ONE-KEY

لمعرفة المزيد حول عمل خاصية "المفتاح الواحد" المزود بها هذا الجهاز، اقرأ الدليل المختصر المرفق أو تفضل بزيارة موقع الإنترنت <http://www.milwaukee.com/one-key>

يمكنك تحميل تطبيق "المفتاح الواحد" عن طريق App Store أو Google Play على هاتفك الذكي.

نتائج الفحص تلبية أقل متطلباتنا تبعاً للمعايير EN 301 489-1 / EN 301 489-2. وسنقدم إرشادات التشغيل للتعامل في دليل المستخدم.

## البطاريات

يجب إعادة شحن البطارية غير المستخدمة لفترة قبل الاستخدام.

تقلل درجات الحرارة التي تتجاوز 50° سيلزيوس (122° فهرنهايت) من أداء البطارية. تجنب التعرض الزائد للحرارة أو أشعة الشمس (خطر التسخين) ..

يجب الحفاظ على محتويات الشواحن و البطاريات نظيفة. للحصول على فترة استخدام مثالية، يجب شحن البطاريات تماماً، بعد الاستخدام. يجب إعادة شحن البطارية غير المستخدمة لفترة قبل الاستخدام.

للحصول على أطول عمر ممكن للبطارية، انزع البطارية من الشاحن بمجرد شحنها تماماً.

لتخزين البطارية أكثر من 30 يوم: خزن البطارية بحيث تكون درجة الحرارة أقل من 27° سيلزيوس وبعيدا عن أي رطوبة خزن البطارية مشحونة بنسبة تتراوح بين 50% - 30، اشحن البطارية كالمعتاد، وذلك كل ستة أشهر من التخزين.

أزل مفاتيح التعديل ومفاتيح الربط. من الإجراءات الواجب اتخاذها دائماً التحقق من أن مفاتيح التعديل والربط قد أزيلت من الأداة قبل تشغيلها.

يجب إبلاغ المسؤولين أو الأشخاص المعيّنين بالسلامة بأية أخطاء تنجم عن الماكينة، ويشمل ذلك الأخطاء المتعلقة بالوقاية أو شفرات المنشار، وذلك بمجرد اكتشاف الخطأ.

لا تصل أبداً إلى منطقة الخطر للآلة عندما تكون قيد التشغيل. لا يجب إزالة النشارة والشظايا أثناء تشغيل الآلة.

لا تستخدم الغطاء العلوي الواقي كمقبض للنفق!

قبل نقل الجهاز، تأكد من أن الجزء العلوي من واقي الحماية يغطي الجزء العلوي من شفرة المنشار.

يجب الإبقاء على سبياح الشق موازياً لشفرة المنشار. حافظ على نظافة الأرضية من بقايا المواد المفككة مثل، الشظايا وفضلات القطع.

على الرغم من الامتثال لكافة لوائح التصميم ذات الصلة، فلا تزال نفس المخاطر قائمة أثناء عمل الماكينة، على سبيل المثال:

تناثر أجزاء من قطعة العمل،  
تناثر أجزاء من الأدوات التالفة، -صدور ضجيج، إنبعثات غبار الخشب.

انزع البطارية قبل التعامل مع الجهاز.

تحذيراً تحديراً! لتجنب أخطار الحريق أو الإصابة أو الإضرار بالمنتج التي تنجم عن تماس كهربائي، لا تعمّر الأداة أو البطارية القابلة للاستبدال أو جهاز الشحن في السوائل وأحرص على أن لا تصل السوائل إلى داخل الجهاز والبطارية. السوائل المؤدية للتآكل أو الموصلة للتيار الكهربائي، مثل الماء المالح ومركبات كيميائية معينة ومواد التبييض أو المنتجات التي تشتمل على مواد تبييض، يمكن أن تؤدي إلى حدوث ماس كهربائي.

استخدم فقط شواحن System M18 لشحن بطاريات System M18 . لا تستخدم بطاريات من أنظمة أخرى.

لا تقم أبداً بفتح قفل البطارية والشواحن ولا تخزينهم إلا في غرف جافة . حافظ عليها جاف طوال الوقت.

## تحذير

يحتوي هذا الجهاز على بطارية من خلايا الليثيوم على شكل عملة معدنية/أزرار . قد تتسبب البطارية الجديدة أو المستخدمة في حرائق داخلية عديدة وتؤدي إلى الوفاة في أقل من ساعتين في حالة بلعها أو دخولها الجسم. احرص على تثبيت الغطاء بمقصورة البطارية دوماً. وفي حالة عدم إغلاقه بإحكام، أوقف الجهاز، وأزل البطارية واحتفظ بها بعيداً عن متناول الأطفال. إذا كنت تعتقد أن شخصاً ما قد بلع البطارية أو أنها دخلت إلى الجسم، فاطلب العناية الطبية الفورية.

## شروط الاستخدام المحددة

استخدم هذا المنشار الدائري في قطع الخشب فقط والمنتجات المشابهة للخشب.

لا تستخدم منشار الطاولة الدائري لقطع أي مواد غير المبيّنة في دليل التعليمات.

لا يجب قطع الجذع الذي به مقطع عرضي مستدير أو غير منتظم (مثل خشب الوقود)، حيث لا يمكن تثبيته بشكل آمن أثناء القطع. عند نشر جذع رقيق من عند الحافة، يتعين استخدام سبياح إضافي مناسب للدعم الثابت.

استخدم شفرة منشار واحدة كحد أقصى عند القطع الطولي، والقطع المستعرض، والقطع المائل، والقطع المخروطي.



**(b)** لا تقرب مطلقاً فوق شفرة المنشار أو خلفها لسحب قطعة التصنيع أو دعمها. فقد تحدث ملامسة عن طريق الخطأ لشفرة المنشار أو قد يؤدي الارتداد إلى جذب أصابعك نحو شفرة المنشار.

**(c)** لا تمسك مطلقاً قطعة التصنيع أو تضغط عليها أثناء قطعها أمام شفرة المنشار الدوارة. حيث سينتج عن الضغط على قطعة التصنيع التي يجري قطعها أمام شفرة المنشار انحناء أو ارتداد.

**(d)** ينبغي محاذاة السياج بحيث يكون موازياً لشفرة المنشار. حيث سيؤدي السياج غي المحاذي إلى الاقتطاع من حجم قطعة التصنيع أمام شفرة المنشار وينتج عن ذلك ارتداد.

**(e)** استخدم اللوحة الريشية لتوجيه قطعة التصنيع في اتجاه الطاولة والسياج عند إجراء عمليات قطع غير نافذ مثل الافتزاز. وتساعد اللوحة الريشية على التحكم في قطعة التصنيع في حالة الارتداد.

**(f)** توخي المزيد من الحذر عند إجراء قطع للمناطق غير النافذة لقطع التصنيع المجمعة. فقد تؤدي شفرة المنشار البارزة إلى قطع الأشياء التي يمكن أن تسبب ارتداداً.

**(g)** ادعم الألواح الكبيرة للحد من خطر تعثر شفرة المنشار والارتداد. تميل الألواح الكبيرة إلى التذلي لأسفل بسبب وزنها. لذا، يجب وضع الدعائم تحت جميع أجزاء اللوحة المتعدلية على سطح الطاولة.

**(h)** توخي المزيد من الحذر عند نشر قطعة تصنيع ملتوية أو بها عقد أو معوجة أو ليس بها حافة مستقيمة لتوجيهها بمحدد القطع المائل أو على طول السياج. تعد قطع التصنيع الملتوية أو المعوجة أو التي تحتوي على عقد غير مستقرة وقد تسبب اختلالاً محاذاة الشق بشفرة المنشار والاتواء والارتداد.

**(i)** لا تقطع مطلقاً أكثر من قطعة واحدة، سواء كانت بوضع رأسي أو أفقي. فقد تنتشر إحدى قطع التصنيع أو أكثر من قطعة في شفرة المنشار وتسبب ارتداداً.

**(j)** وعند إعادة تشغيل المنشار باستخدام شفرة المنشار في قطعة التصنيع، ثبت شفرة المنشار في الشق حتى لا تنتشر أسنان المنشار في المواد. إذا كانت شفرة المنشار ملتوية، فقد ترفع قطعة التصنيع وتتسبب في ارتداد عند إعادة تشغيل المنشار.

**(k)** يجب أن تكون شفرات المنشار دائماً نظيفةً وحادةً وبمجموعة كافية. لا تستخدم مطلقاً شفرات المنشار المعوجة أو شفرات المنشار ذات الأسنان المشققة أو المكسورة. تعمل شفرات المنشار الحادة والمصممة بشكل صحيح على الحد من الاتواء وتوقف المحرك والارتداد.

#### 4) تحذيرات إجراءات تشغيل منشار الطاولة

**(a)** أوقف تشغيل منشار الطاولة وأفضل حزمة البطارية عند إزالة أوليعة الطاولة، أو تغيير شفرة المنشار، أو إجراء تعديلات لسكين التجلخ، أو جهاز منع الارتداد، أو وافي الشفرة، أو عند ترك الماكينة دون رقابة. ستجذب التدايير الوقائية التعرض للحوادث.

**(b)** لا تترك منشار الطاولة مطلقاً يعمل دون رقابة. ينبغي إيقاف تشغيله وعدم تركه حتى يتوقف تماماً. ويمثل ترد المنشار يعمل دون رقابة خطراً غير مراقب.

**(c)** ضع منشار الطاولة في منطقة جيدة الإضاءة ومستوية حيث يمكنك الحفاظ على توازنك أثناء الوقوف. يجب تثبيته في منطقة بها مساحة كافية للتعامل مع حجم قطع التصنيع بسهولة. حيث تؤدي المناطق المزدحمة والمظلمة والأرضيات غير المستوية إلى وقوع حوادث.

**(d)** نظف المنشار وأزل النشارة باستمرار من أسفل طاولة المنشار وأ/أو جهاز تجميع الغبار. فالنشارة المتراكمة قابلة للاشتعال ويمكن أن تشتعل ذاتياً.

**(e)** يجب تثبيت منشار الطاولة. فقد يتحرك منشار الطاولة غير المثبت بشكل سليم أو ينقلب.

**(f)** أزل الأدوات وقصاصات الخشب وما إلى ذلك من الطاولة قبل تشغيل منشار الطاولة. قد يشكل تشتت الانتباه أو الانحسار المحتمل خطراً.

**(g)** استخدم دائماً شفرات المنشار بفتحات تفريز ذات حجم وشكل صحيحين (ماسية مقابل دائرية). ستبتعد شفرات المنشار التي لا تتطابق مع جهاز تثبيت المنشار عن المركز، مما يتسبب في فقدان السيطرة.

**(h)** لا تستخدم أبداً وسائل تثبيت شفرات المنشار غير الملائمة أو المعطوبة مثل الشفاة، أو حلقات شفرات المنشار، أو المسامير، أو البراغي. صُممت وسائل التثبيت هذه خصيصاً لمنشارك، وذلك لضمان التشغيل الآمن والأداء الأمثل.

**(i)** لا تقف مطلقاً على منشار الطاولة، ولا تستخدمه ككرسي للتعليق. حيث يمكن أن تحدث إصابة خطيرة إذا كانت الأداة مائلة أو إذا حدث تلامس مع أداة القطع عن طريق الخطأ.

**(j)** تأكد من تركيب شفرة المنشار بحيث تدور في الاتجاه الصحيح. لا تستخدم عجلات التجلخ أو فرش السلكنية أو العجلات الكاشطة على منشار الطاولة. فوفق يؤدي تركيب شفرة المنشار غير الملائمة أو استخدام الملحقات غير الموصى بها إلى إصابات خطيرة.

#### إرشادات أمان وعمل إضافية

يحظر إعادة تشكيل الرأس وتشذيبها وقصها.

ارتد واقبات الأذن. ارتد قد يسبب التعرض للضوضاء إلى فقدان السمع.

استخدم معدة الوقاية. ارتد دائماً نظارة الوقاية عند العمل بالآلة. ينصح باستخدام الملابس الواقية مثل الكمامات الواقية من الغبار، والقفازات، والأحذية القوية غير المنزلقة، والخوذات، وواقبات الأذن.

قد تكون الأتربة الناتجة عن استخدام هذه الآلة ضارة بالصحة. لا تستنشق هذه الأتربة. استخدم نظام امتصاص الأتربة وارتد قناعاً واقياً من الأتربة مناسباً. قم بإزالة الأتربة الموجودة تماماً، باستخدام المكنسة الكهربائية على سبيل المثال.

تأكد دائماً من أن الماكينة ثابتة ومومنة

يُرجى قراءة التعليمات قبل استخدام الأداة. قم باستعراض الأداة عملياً إن أمكن.

لا تستخدم شفرات المنشار التالفة أو المشوهة

استخدم شفرات المنشار التي تم شحذها بشكل سليم.

لا تستخدم سوى شفرات الأشغال الخشبية المحددة في هذا الدليل، التي تتوافق مع المعيار EN 847-1.

للحد من الضجيج، يجب شحذ الآلة وضبط جميع عناصر الحد من الضجيج (مثل الأغشية). بشكل صحيح.

استخدم فقط الأدوات التي تفي بمتطلبات المعيار EN 847-1. اعمل على نقل أو تخزين الأدوات في حاوية مناسبة؛

من الضروري اختيار شفرة المنشار التي تتناسب مع المادة المراد قطعها.

من الأهمية بمكان الالتزام بحدود السرعة القصوى المحدد على شفرة المنشار.

لا تستخدم شفرات المنشار المصنوعة من صلب عالي السرعة. لا تستخدم أسطوانات الكشط في هذه الماكينة!

**⚠ تحذير** اقرأ جميع تعليمات السلامة والإرشادات والشروح والبيانات المرفقة مع الجهاز. قد يؤدي الفشل في مراعاة التحذيرات والتعليمات إلى التعرض للإصابة بصدمة كهربية أو الحريق و/أو إصابة خطيرة.  
احتفظ بجميع التنبيهات والتعليمات للرجوع إليها مستقبلاً.

## ⚠ تعليمات السلامة لمناشير الطاولة

### 1 التحذيرات ذات الصلة بالطاولة

**(a)** اجعل الواقيات دائماً في مكانها. يجب أن تكون الواقيات في حالة جيدة ومثبتة على نحو سليم. يجب إصلاح الواقيات السائبة أو التالفة أو التي لا تعمل على نحو سليم أو استبدالها.

**(b)** استخدم دائماً واقي شفرة المنشار، وسكين التجليخ، والجهاز المانع للارتداد لكل عملية قطع نافذ. تساعد الواقيات وأجهزة السلامة الأخرى في عمليات القطع النافذ، حيث تقطع شفرة المنشار قطعة التصنيع وتنفذ منها تماماً، على الحد من مخاطر التعرض للإصابات.

**(c)** أعد تركيب نظام الوقاية فوراً بعد الانتهاء من أية عملية (مثل الافتزاز) تتطلب إزالة الواقي، و/أو سكين التجليخ، و/أو الجهاز المانع للارتداد. يساعد الواقي وسكين التجليخ وجهاز منع الارتداد على الحد من خطر الإصابة.

**(d)** تأكد أن شفرة المنشار لا تلمس الواقي، أو سكين التجليخ أو قطعة التصنيع قبل تشغيل المفتاح. فالتلامس غير المقصود لهذه العناصر مع شفرة المنشار يمكن أن يسبب حالة خطيرة.

**(e)** عدّل وضع السكين الفاصل على النحو الموصوف في دليل التعليمات هذا. وقد يجعل التباعد والوضع والمحاذاة غير السليمة سكين التجليخ غير فعالة من حيث الحد من احتمالات الارتداد.

**(f)** ولكي تعمل سكين التجليخ وجهاز منع الارتداد، يجب أن يصل إلى قطعة التصنيع. ويصبح سكين التجليخ والجهاز المانع للارتداد غير فاعلين عند تقطيع قطع التصنيع القصيرة للغاية التي لا يمكن الوصول إليها بسكين التجليخ وجهاز منع الارتداد. وفي هذه الظروف لا يمكن منع الارتداد بسكين التقطيع وجهاز منع الارتداد.

**(g)** استخدم السكين الفاصل المناسب للشفرة المستخدمة. ولكي تعمل سكين التجليخ بشكل سليم، يجب أن يتطابق قطر شفرة المنشار مع سكين التجليخ المناسبة ويجب أن يكون جسم شفرة المنشار أرق من سمك سكين التجليخ، ويجب أن يكون عرض القطع لشفرة المنشار أكبر من سماكة سكين التجليخ.

### 2 تحذيرات إجراءات القطع

**⚠ خطر:** لا تضع أصابعك أو يديك مطلقاً بجوار شفرة المنشار أو بمحاذاتها. فقد ينتج عن لحظة فقدان الانتباه أو الانزلاق إلى توجه يديك نحو شفرة المنشار مما يؤدي إلى إصابة شخصية خطيرة.

**(b)** لا تدخل قطعة التصنيع نحو شفرة المنشار إلا عكس اتجاه الدوران. فقد ينتج عن إدخال قطعة التصنيع في نفس اتجاه دوران شفرة المنشار فوق الطاولة سحب قطعة التصنيع ويديك نحو شفرة المنشار.

**(c)** يحظر استخدام محدد القطع المائل لإدخال قطعة التصنيع عند الشق الطولي وكذلك استخدام سياج الشق الطولي كمنطقة توقف طولي عند القطع المستعرض بمحدد القطع المائل. ويؤدي توجيه قطعة التصنيع بسياج الشق الطولي ومحدد القطع المائل في نفس الوقت إلى زيادة احتمال الارتداد وانحناء شفرة المنشار.

**(d)** استخدم دائماً عند الشق الطولي قوة إدخال قطعة التصنيع بين السياج وشفرة المنشار. استخدم عصا الدفع عندما تكون المسافة بين السياج وشفرة المنشار أقل من 150 مم، واستخدم كتلة الدفع عندما تكون هذه المسافة أقل من 50 ملم. وستعمل أجهزة «العمل المساعدة» على إبقاء يدك على مسافة آمنة من شفرة المنشار.

**(e)** لا تستخدم سوى عصا الدفع التي توفرها الشركة المصنعة أو التي تم تصنيعها وفقاً للتعليمات. وتوفر عصا الدفع مسافة كافية بين اليدين وشفرة المنشار.

**(f)** لا تستخدم أبداً عصا تالفة أو مقطوعة. فقد تتسبب عصا الدفع التالفة في انزلاق يدك نحو شفرة المنشار.

**(g)** لا تنفذ أية عملية «يدوية». بل استخدم دائماً سياج الشق الطولي أو محدد القطع المائل لوضع قطعة التصنيع وتوجيهها. وتعني «يدوية» استخدام بديك لدعم قطعة التصنيع أو توجيهها، بدلاً من سياج الشق الطولي أو محدد القطع المائل. ويؤدي النشر اليدوي إلى عدم المحاذاة والانحناء والارتداد.

**(h)** لا تقترب مطلقاً من المنطقة المحيطة بشفرة المنشار الدائرية أو فوقها. فقد يؤدي الاقتراب من قطعة التصنيع إلى التلامس غير المقصود مع شفرة المنشار الدائرية.

**(i)** يجب توفير دعم إضافي لقطعة التصنيع في خلف طاولة المنشار و/أو جوانبها وذلك لقطع التصنيع الطويلة و/أو العريضة لإبقائها مستوية. تميل قطع التصنيع الطويلة و/أو العريضة إلى الارتكاز على حافة الطاولة، مما يتسبب في فقدان السيطرة وانحناء شفرة المنشار والارتداد.

**(j)** أدخل قطعة التصنيع بوتريرة متساوية. لا تقم بثني قطعة التصنيع أو ليّها. وفي حالة انحناء شفرة المنشار في قطعة التصنيع، أوقف تشغيل الأداة على الفور، وافصل الأداة عن التيار الكهربائي، ثم أخرج القطعة العالقة. فقد يؤدي انحناء شفرة المنشار في قطعة التصنيع إلى الارتداد أو توقف المحرك.

**(k)** لا تزيل قطع مواد القطع أثناء تشغيل المنشار. فقد تصبح تلك القطع عالقة بين السياج أو داخل واقي شفرة المنشار وشفرة المنشار وتتسحب أصابعك نحو شفرة المنشار. أوقف تشغيل المنشار وانتظر حتى تتوقف شفرة المنشار قبل إزالة تلك المواد.

**(l)** استخدم سياجاً إضافياً ملامساً لسطح الطاولة عند الشق الطولي لقطع التصنيع التي تقل سماكتها عن 2 مم. وقد تنزّني قطعة التصنيع الرفيعة أسفل سياج الشق الطولي وينتج عن ذلك ارتداد.

### 3 الأسباب ووقاية المشغل من رد الفعل العنيف:

والارتداد هو رد فعل مفاجئ لقطعة التصنيع بسبب شفرة منشار مقروصة أو عالقة أو خط قطع غير محاذي في قطعة التصنيع فيما يتعلق بشفرة المنشار أو عندما ينحني جزء من قطعة التصنيع بين شفرة المنشار وسياج الشق الطولي أو غيره من المكونات الثابتة.

وفي معظم الأحيان أثناء الارتداد، يتم رفع قطعة التصنيع من الطاولة من الجزء الخلفي لشفرة المنشار ودفعها نحو المشغل. ينتج الارتداد عن الاستخدام الخاطئ للمنشار و/أو إجراءات أو حالات التشغيل غير الصحيحة ويمكن تجنب هذا الارتداد باتخاذ التدابير الموضحة أدناه.

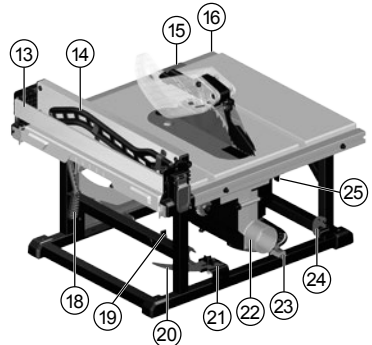
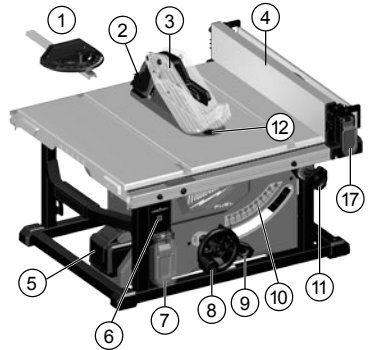
**(a)** لا تقف مباشرة بمحاذاة شفرة المنشار. قف دائماً على نفس جانب شفرة المنشار حيث يوجد السياج. وقد يدفع الارتداد قطعة التصنيع بسرعة عالية نحو أي شخص يقف في أمام شفرة المنشار وبمحاذاتها.

| M18 FTS210   | البيانات الفنية<br>منتشار طاولة دائري                        |  |
|--|--|--|
| 4609 60 02...<br>... 000001-999999   | إنتاج عدد  |  |
| 18 V   | فولطية البطارية  |  |
| 6300 min <sup>-1</sup>   | أقصى سرعة دون وجود حمل                                       |  |
| 2402-2480 MHz  | نطاق التردد  |  |
| 1,8 dBm  | قدرة التردد الراديوي   |  |
| 210 x 30 mm  | قطر شفرة المنشار x قطر الثقب                                 |  |
| 1,55 mm  | سمك جسم شفرة المنشار   |  |
| 1,8 mm   | سمك الأسنان  |  |
| 2,2 mm   | سمك الأسنان  |  |
| 63,5 / 44 mm   | الحد الأقصى لعلم القطع 0 / 45°                               |  |
| 310 mm<br>525 mm / 622 mm  | اليسار<br>اليمين   | المسافة بين سياج الشق الطولي وشفرة المنشار الحد الأقصى |
| 21,2 kg ... 22,3 kg  | الوزن وفقا لنهج EPTA رقم 01/2014 (Li-Ion 2,0 Ah ... 12,0 Ah) |  |
| -18°C ... +50°C  | درجة حرارة البيئة المحيطة المنصوح بها من أجل التشغيل         |  |
| M18B... / M18HB...   | البطاريات المنصوح بها  |  |
| M12-18... / M1418<br>C6  | جهاز الشحن المنصوح به  |  |
| <p><b>معلومات الضوضاء</b><br/>القيم التي تم قياسها محددة وفقا للمعايير الأوروبية EN 62841 مستويات ضوضاء الجهاز، ترجيح أ بشكل نموذجي كالتالي:<br/>مستوى ضغط الصوت (الارتياح في القياس = 3 ديسيبل (أ))<br/>مستوى شدة الصوت (الارتياح في القياس = 3 ديسيبل (أ))</p> |  |  |
| <p>dB(A 92,37)<br/>dB(A 103,37)</p>  |  |  |
| <p>إنذال شايقي او دتيرا</p>  |  |  |



#### وصف الجهاز

- ① محدد القطع المائل
- ② سقاطات منع الارتداد
- ③ سكين التجليخ مع وائي / واقى شفرة
- ④ سياج الشق الطولي
- ⑤ البطارية
- ⑥ مؤشر مفتاح واحد
- ⑦ مفتاح الطاقة / غطاء مفاتيح
- ⑧ العجلة اليدوية لضبط الارتفاع
- ⑨ ذراع القفل المخروطي
- ⑩ المقياس المخروطي
- ⑪ عجلة ضبط السياج
- ⑫ لوحة المخنق / سقاطة لوحة المخنق
- ⑬ سياج نكر متمدد
- ⑭ عصا الدفع
- ⑮ مقياس الشق الطولي المؤشر
- ⑯ مقياس الشق الطولي
- ⑰ سقاطات السياج
- ⑱ قفل السياج
- ⑲ مفتاح ربط الشفرة مخزن / مفتاح ربط الشفرة
- ⑳ سكين التجليخ
- ㉑ سكين التجليخ / سكين التجليخ مع وائي مخزن
- ㉒ مجرى تفرغ الغبار
- ㉓ محدد القطع المائل مخزن
- ㉔ سقاطات منع الارتداد مخزن
- ㉕ سكين التجليخ ذراع التحرير



Copyright 2021  
Techtronic Industries GmbH  
Max-Eyth-Straße 10  
71364 Winnenden  
Germany  
+49 (0) 7195-12-0  
[www.milwaukeeetool.eu](http://www.milwaukeeetool.eu)

Techtronic Industries (UK) Ltd  
Parkway  
Marlow, SL7 1YL  
UK



**EAC UK  
CA**

(08.21)

**4931 4252 34**