

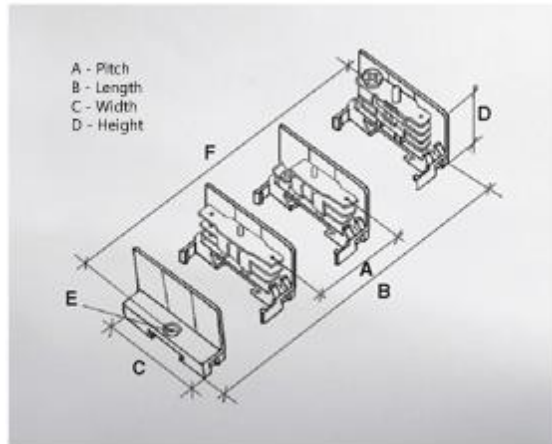


### Ordering Information

Part Number	Description
HY508/2 V/3F	TERMINAL BLOCK, 2P, M4 SCREW, 3 TABS, Is a kit part of HY508 V/3F x 2 + HY508/1
HY508/3 V/3F	TERMINAL BLOCK, 3P, M4 SCREW, 3 TABS, Is a kit part of HY508 V/3F x 3 + HY508/1

### HY508/1

Interlockable pole polyamide pa6.6 tab to tab terminal block 11mm pitch

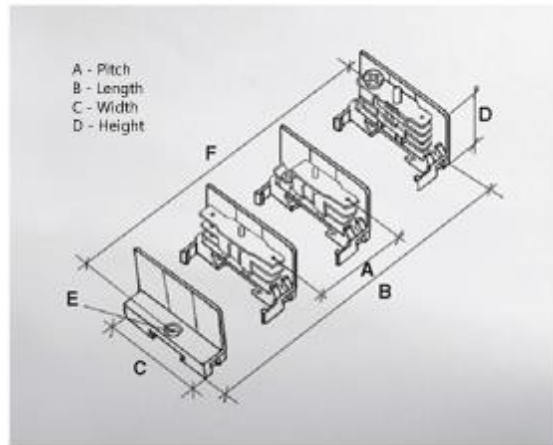
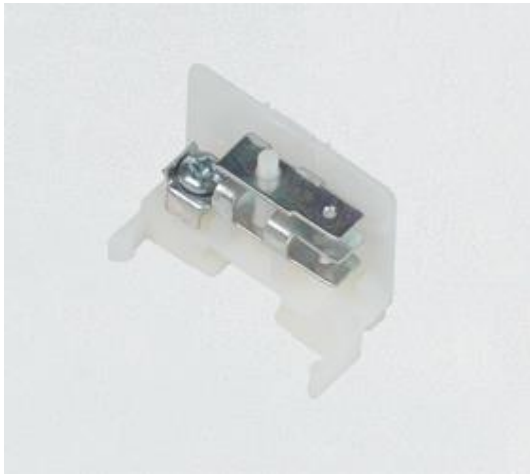


### SPECIFICATION

Number of Poles	Interlockable
Tab Size (mm)	6.3x0.8
Terminal Material	Copper and nickel plated steel
Body Material	Polyamide PA6.6
UL94 Rating	UL94V2
Pitch (mm)	11
Height (mm)	29
Width (mm)	38
Length (mm)	19.2 + (Poles x 11)

## HY508 V/3F

Interlockable pole polyamide pa6.6 tab to tab terminal block 11mm pitch



### SPECIFICATION

Number of Poles	Interlockable
Tab Size (mm)	6.3x0.8
Terminal Material	Copper and nickel plated steel
Body Material	Polyamide PA6.6
UL94 Rating	UL94V2
Max Conductor Size (Sq mm)	2.5
Max Current (A)	24
Max Voltage (V)	450
Pitch (mm)	11
Height (mm)	29
Width (mm)	38
Length (mm)	19.2 + (Poles x 11)