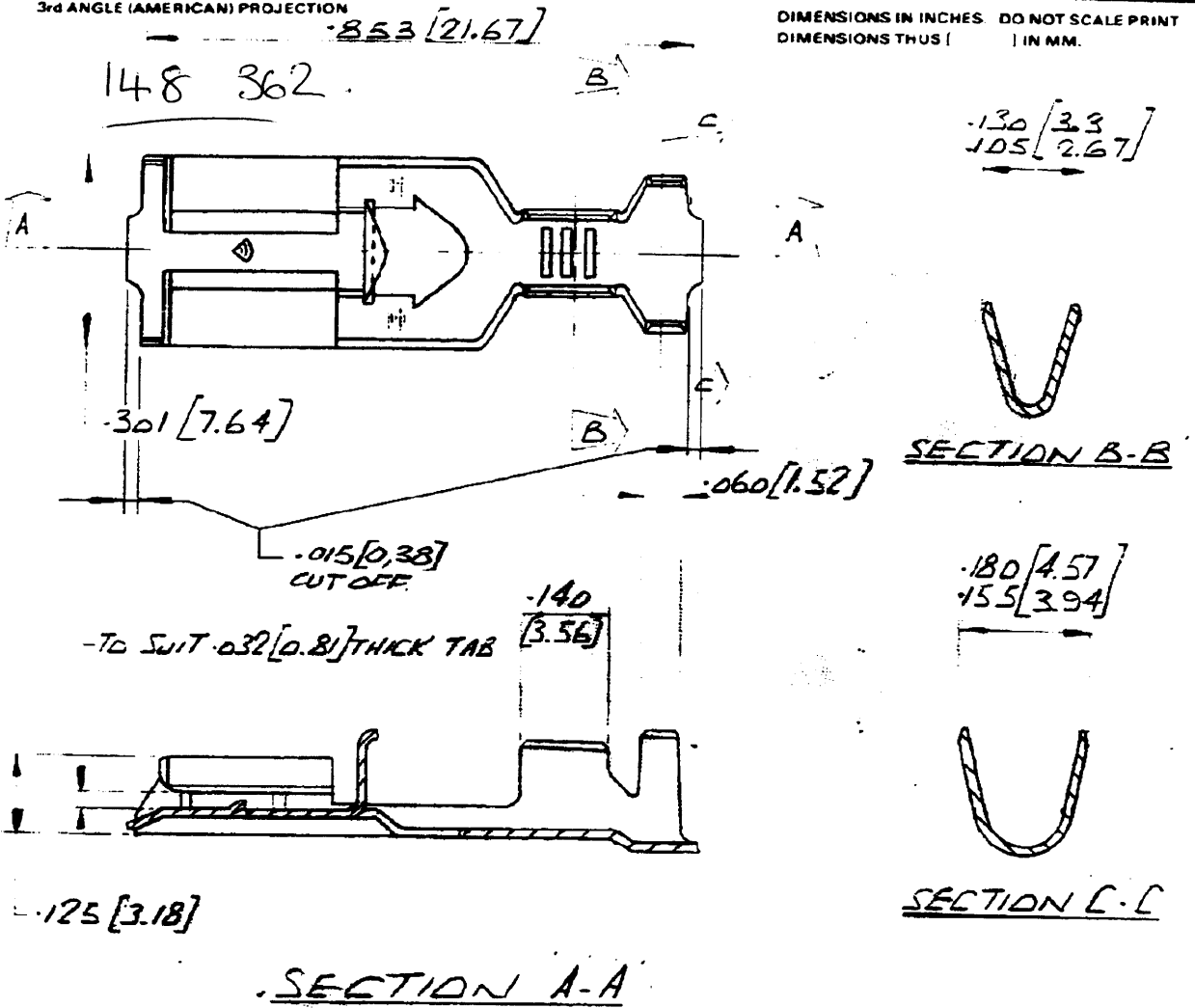


NUMBER C-341412

3rd ANGLE (AMERICAN) PROJECTION

DIMENSIONS IN INCHES DO NOT SCALE PRINT
DIMENSIONS THUS [] IN MM.



| | | |
|------------|-----------------|---------|
| C-341412-5 | NICKEL SILVER | NONE |
| C-341412-4 | PHOSPHOR BRONZE | PRE-TIN |
| C-341412-3 | PHOSPHOR BRONZE | NONE |
| C-341412-2 | BRASS | PRE-TIN |
| C-341412-1 | BRASS | NONE |
| PART NO. | MATERIAL | FINISH |

| | | | | | | | |
|----------------------------------|--|--|--|--|--|--------------------------------------|--|
| | | | | C AMP of GREAT BRITAIN LTD 1978 | | CUSTOMER COPY REFERENCE ONLY | |
| | | | | MATERIAL AND FINISH SEE TABLE | | AMP of Great Britain Ltd. | |
| | | | | CLASS | | TERMINAL HOUSE STANMORE, MIDD. | |
| 1 PRELIMINARY ISSUE JPS - 3/5/79 | | | | WIRE RANGE - INSULATION 0.5mm - 1.5mm - 2.1mm - 2.9mm | | TYPE | |
| ISS REVISION RECORD DR CHK DATE | | | | TOLERANCE EXCEPT AS NOTED + .015 [0.38] - 1.0 | | SCALE | |
| DR J.P. STOCKWELL | | | | LOC E A | | NO C-341412 | |
| CHK APP | | | | NAME | | LOOSE PIECE PART | |
| | | | | POSITIVE LOCK RECEPTACLE MK II (2.0) | | | |

PRINT/DIST