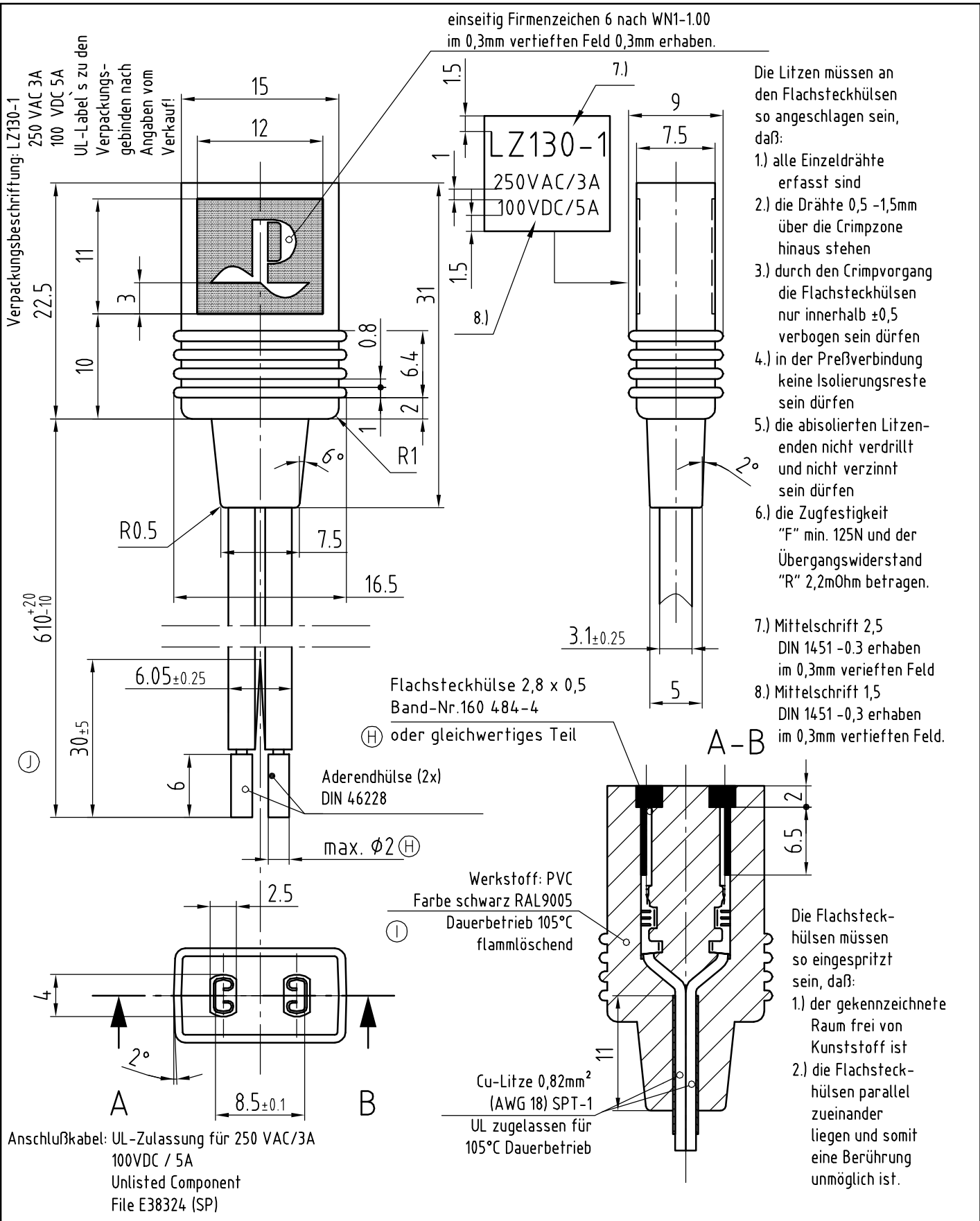


Copying of this document, and giving it to others and the use or communication of the contents thereof, are forbidden without express authority. Offenders are liable to the payment of damages. All rights are reserved in the event of the grant of a patent or the registration of a utility model or design.
 Schutzvermerk nach DIN ISO 16016 beachten/ Refer to protection notice DIN ISO 16016!



| | | | |
|---|--|--|--|
| Tolerierung/Tolerances: DIN 7167 | | nach VDE-Angaben: | |
| Allgemeintoleranzen/ Gen. tolerances: | | Hochspannungsprüfung: AC 1650V = 1s Isolationswiderstand : DC 500V = 10MOhm | |
| AutoCAD 2006 | | Artikel/Title | |
| Datum/Date | | Anschlußkabel LZ130-1 | |
| Name/Name | | Massstab/scale | |
| 16.02.2009 | | | |
| Bearb./Drawn: KOLETZKI | | | |
| J | | | |
| 000000115010 | | | |
| Index/Index | | | |
| Aend.-Nr./Change-No. | | | |
| gepr. u. zur Verwendung freigeben/Checked for release von KOLETZKI am 18.02.2009 | | Zchg.-Nr./ Dwg.-No.: 9920130001 | |
| ebmpapst | | Blatt/Page 001 | |
| ebm-papst St. Georgen GmbH & Co. KG | | Ers.f.Zchg./ Replaces: GL.NR.V.22.08.84 | |
| | | A4 | |

Vertraulich / Confidential Information 28.06.2017