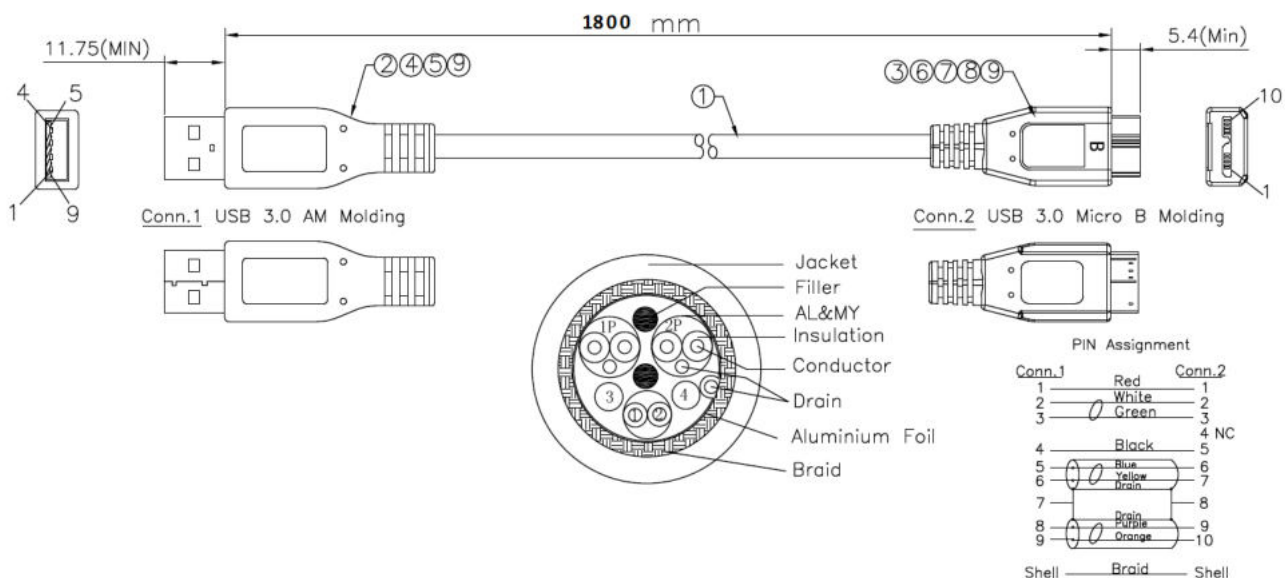


USB 3.0 A Plug to USB 3.0 Micro-B Plug Cable



SPECIFICATION:

Contact Resistance	2ohm max.
Insulation Resistance	10Mohm min (DC300V/10ms)
Length	1800mm
Cable Jacket Colour (11)	PVC black
Cable Marking (10)	E342987 AWM style 2725 80°C 30V VW-1 super high speed USB revision 3.0
Over Mold (9)	45P black PVC
Inner Mold (8)	Transparent PE
Tin (7)	USB 3.0 Micro B(M) rear shell, nickel plated
Tin (6)	USB 3.0 Micro B(M) front shell, nickel plated
Tin (5)	USB 3.0 A(M) front shell, nickel plated
Tin (4)	USB 3.0 A(M) rear shell, nickel plated
Connector (3)	USB 3.0 Micro B(M) shell, nickel plated, blue rubber core, gold plated Pins 30u
Connector (2)	USB 3.0 A(M) blue rubber core, gold plated pins 5u
Wire Specification (1)	USB 3.0 UL2725 [28AWG(7/0.122TC)+EAM]*2P+[28AWG(7/0.122TC)+AL]*1P +24AWG(7/0.20TC)*2C+AEB(16/8/0.12AL85%)OD:5.5mm black



Art. Nr.
RND 765-00080