



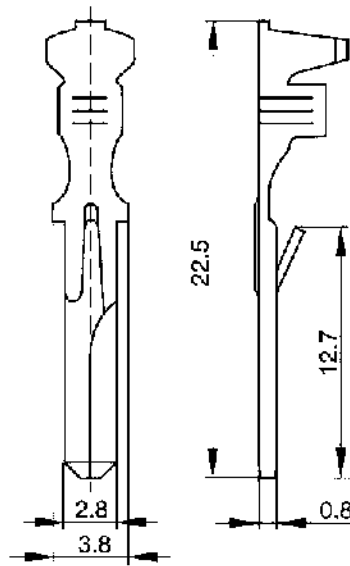
## Product information RMC 280

Industrial Connecting Solutions:Rectangular Connectors:Valve Connectors (Type A -B -C):Accessories:Crimp method:RMC 280

<https://catalog.beldensolutions.com:443/link/57078-24228-256261-256266-24328-24329-35576/en/conf/uistate>

Name	RMC 280
	engaging crimp contact (blade contact),suitable for G-series connectors
<b>Delivery informations</b>	
Availability	available
<b>Product description</b>	
Description	engaging crimp contact (blade contact), suitable for G-series connectors
Type	RMC 280
Order No.	731 991-021
Conductor size	0.5 mm <sup>2</sup> to 1 mm <sup>2</sup> (B0 crimp)
<b>Material</b>	
Contact material	CuZn
Contact surface material	Sn
<b>Packing unit</b>	
Packaging unit	100 pieces
<b>Scope of delivery and accessories</b>	
Accessories to order separately	suitable for G-series; suitable crimping tool (pliers): XZC 0702, Order-no. 932 507-003

Picture  
Drawing



**Belden Deutschland GmbH**  
Im Gewerbepark 2  
58579 Schalksmühle  
Germany  
Phone: +49 7127/14-1806  
E-Mail: [icos-sales@belden.com](mailto:icos-sales@belden.com)

The information published in the websites has been compiled as carefully as possible. It is subject to alteration without notice in technical as well as in price-related/commercial respect.  
The complete information and data were available on user documentation. Mandatory information can only be obtained by a concrete query.