

321870 ✓ ACTIVE

SOLISTRAND

TE Internal #: 321870

Ring Terminals & Spade Terminals, Ring Tongue, 00AWG Wire Size, 67 – 70mm<sup>2</sup> Wire Size, 119500 – 150500CMA Wire Size, M8 / 5 /16

[View on TE.com >](#)



Terminals & Splices > Ring Terminals & Spade Terminals



Terminal & Splice Type: **Ring Tongue**

Wire Size: **119500 – 150500 CMA**

Ring & Spade Stud Size: **5/16, M8**

### Features

#### Product Type Features

Shape Description	RING-049
Ring & Spade Stud Size	5/16, M8
Ring & Spade Barrel Type	Closed Barrel
Sealable	No
Insulated	No
Ring & Spade Wire/Cable Type	Regular Wire
Support Style	Non - Insulation Support

#### Configuration Features

Number of Holes	1
Terminal Angle	Straight

#### Body Features

Weight per Piece	29.611 g
Ring & Spade Plating Material	Copper, Tin

#### Contact Features

Military Part Class	Class II
Terminal & Splice Type	Ring Tongue
Ring & Spade Terminal Orientation	Offset

#### Mechanical Attachment

Wire Insulation Support	Without
-------------------------	---------

### Dimensions

Wire Size	119500 – 150500 CMA
Stud Diameter	8.33 mm[.328 in]
Tongue Thickness	.79 mm[.031 in]
Ring & Spade Overall Length	49.73 mm[1.96 in]
Barrel Inside Diameter	12.8 mm[.504 in]

### Usage Conditions

Insulation Requirement	Uninsulated
Operating Temperature Range	170 °C[338 °F]

### Operation/Application

Heavy Duty	No
------------	----

### Industry Standards

Government Qualified	Yes
----------------------	-----

### Packaging Features

Packaging Quantity	50
Ring & Spade Packaging Method	Loose Piece

### Product Compliance

[For compliance documentation, visit the product page on TE.com>](#)

EU RoHS Directive 2011/65/EU	Compliant
EU ELV Directive 2000/53/EC	Compliant
China RoHS 2 Directive MIIT Order No 32, 2016	No Restricted Materials Above Threshold
EU REACH Regulation (EC) No. 1907/2006	Current ECHA Candidate List: JAN 2021 (211) Candidate List Declared Against: JAN 2021 (211) Does not contain REACH SVHC
Halogen Content	Low Halogen - Br, Cl, F, I < 900 ppm per homogenous material. Also BFR/CFR/PVC Free
Solder Process Capability	Not applicable for solder process capability

#### Product Compliance Disclaimer

This information is provided based on reasonable inquiry of our suppliers and represents our current actual knowledge based on the information they provided. This information is subject to change. The part numbers that TE has identified as EU RoHS compliant have a maximum concentration of 0.1% by weight in homogenous materials for lead, hexavalent chromium, mercury, PBB, PBDE, DBP, BBP, DEHP, DIBP, and 0.01% for cadmium, or qualify for an exemption to these

limits as defined in the Annexes of Directive 2011/65/EU (RoHS2). Finished electrical and electronic equipment products will be CE marked as required by Directive 2011/65/EU. Components may not be CE marked. Additionally, the part numbers that TE has identified as EU ELV compliant have a maximum concentration of 0.1% by weight in homogenous materials for lead, hexavalent chromium, and mercury, and 0.01% for cadmium, or qualify for an exemption to these limits as defined in the Annexes of Directive 2000/53/EC (ELV). Regarding the REACH Regulation, the information TE provides on SVHC in articles for this part number is based on the latest European Chemicals Agency (ECHA) 'Guidance on requirements for substances in articles' posted at this URL: <https://echa.europa.eu/guidance-documents/guidance-on-reach>

## Compatible Parts



TE Part # 1490413-6  
HYP10 SOLIS 2/0AWG NEST



TE Part # 1490414-3  
HYP10 SOLIS HD 1/0AWG INDENTER



TE Part # 48131  
HYP8 SOLIS 1/0-4/0AWG INDENTER



TE Part # 45439  
HYP8/10 SOLIS 2/0AWG DIE SET



TE Part # 600850  
ROTO-CRIMP TOOL (ASI)




TE Part # 48133  
HYP8 SOLIS 2/0AWG NEST

## Customers Also Bought



TE Part #1-6609032-9  
CORCOM R SERIES SINGLE PHASE FILTERS



TE Part #273599-000  
382W042-25-0



TE Part #3-1437653-5  
6PCV-10-006=6PCV ASSEMBLY



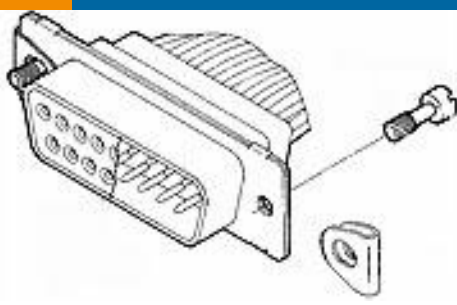
TE Part #320383  
TERMINAL, SOLIS R 2 1/4



TE Part #0662-207-0082  
CONT SOC ASSY



TE Part #1825096-1  
TPA11CGPC004



TE Part #211883-5  
SCREW RETAINER KIT, AMPLIMITE



TE Part #YDTS26W09-98PNV001  
D38999: Straight Plug, 09-98 Insert



## Documents

### Product Drawings

[TERMINAL SOLIS R 2/0 5/16](#)

English

### CAD Files

[3D PDF](#)

3D

Customer View Model

[ENG\\_CVM\\_CVM\\_321870\\_AK.2d\\_dxf.zip](#)

English

Customer View Model

[ENG\\_CVM\\_CVM\\_321870\\_AK.3d\\_igs.zip](#)

English

Customer View Model

[ENG\\_CVM\\_CVM\\_321870\\_AK.3d\\_stp.zip](#)

English

By downloading the CAD file I accept and agree to the [Terms and Conditions](#) of use.

### Agency Approvals

[UL Report](#)

English

[UL Report](#)

English