

SAI-M23-SE-6-F**Weidmüller Interface GmbH & Co. KG**

Klingenbergstraße 16

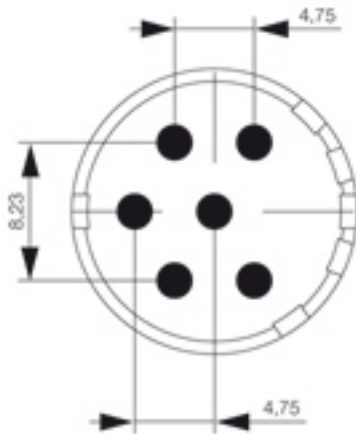
D-32758 Detmold

Germany

Fon: +49 5231 14-0

Fax: +49 5231 14-292083

www.weidmueller.com



The M23 round plug-in connectors offer a high number of mating cycles, high current-carrying capacity and high contact-density coupled with minimum dimensions. Enclosures, inserts and crimp contacts need to be ordered separately.

General ordering data

Type	SAI-M23-SE-6-F
Order No.	1224000000
Version	Sensor/Actuator plug-in connector
GTIN (EAN)	4050118007978
Qty.	1 pc(s).

SAI-M23-SE-6-F

Weidmüller Interface GmbH & Co. KG

Klingenbergstraße 16

D-32758 Detmold

Germany

Fon: +49 5231 14-0

Fax: +49 5231 14-292083

www.weidmueller.com

Technical data

Dimensions and weights

Net weight	8 g
------------	-----

Temperatures

Operating temperature, max.	125 °C	Operating temperature, min.	-40 °C
-----------------------------	--------	-----------------------------	--------

Environmental Product Compliance

REACH SVHC	Lead 7439-92-1
------------	----------------

Standards

Certificate No. (UR)	E344862
----------------------	---------

General data

Coding	none	Conductor O.D.	-
Connection thread	M23	Contact material	Copper-Zinc alloy
Contact number / diameter	6 x 2 mm	Contact surface	Gold-plated
Fire behaviour	V-0	Housing main material	Thermoplastic polyamide PA 6, PBT
Insulation strength	> 10 ¹⁰ Ω	No. of poles	6
Plugging cycles	> 1000	Rated current	20 A
Type of connection	Solder connection		

Classifications

ETIM 4.0	EC002635	ETIM 5.0	EC002635
ETIM 6.0	EC000438	eClass 6.2	27-26-07-02
eClass 7.1	27-44-01-02	eClass 8.1	27-44-01-02
eClass 9.1	27-44-02-05		

Product information

Product information	Enclosures, inserts and crimp contacts need to be ordered separately.
---------------------	---

Approvals

Approvals



ROHS	Conform
------	---------

Downloads

Brochure/Catalogue	CAT 8 SAI 15/16 EN FL FIELDWIRING EN
--------------------	---