

## FEATURES AND SPECIFICATIONS

### Features and Benefits

- Sizes 2 to 15 circuits
- 0.70mm (.027") round pins
- Polarized
- Friction lock

### Reference Information

Packaging: Bag  
 UL File No.: E29179  
 CSA File No.: LR19980  
 Mates With: [5264-N](#) and [42219](#)  
 Designed In: Millimeters

### Electrical

Voltage: 250V  
 Current:

AWG	22	24	26	28
Amperes	3.0	2.5	2.0	1.5

Contact Resistance: 20mΩ max.  
 Dielectric Withstanding Voltage: 1000V AC/1 min.  
 Insulation Resistance: 1000 MΩ min.

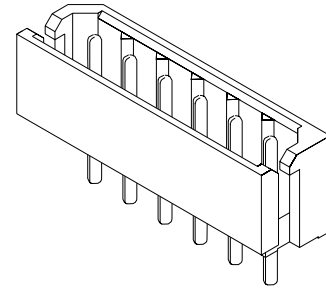
### Physical

Housing: 6/6 nylon, UL 94V-0  
 Contact: Brass  
 Plating: Tin  
 Operating Temperature: 0 to +75°C

# molex® 2.50mm (.098") Pitch SPOX™ Wire-to-Board Header

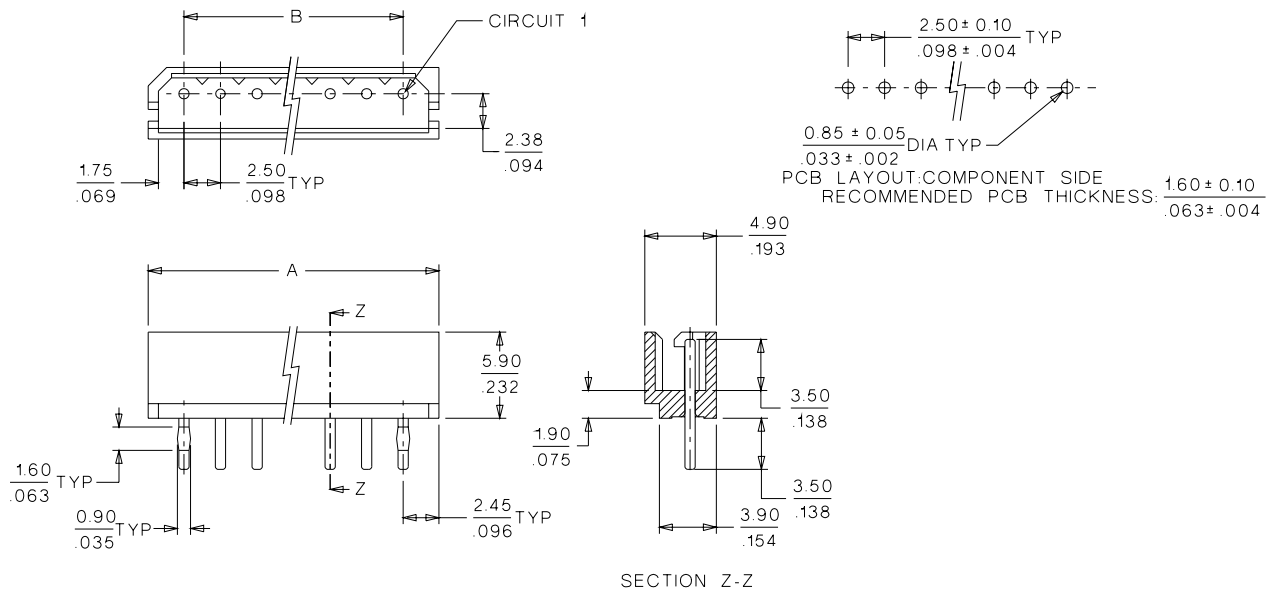
## 5267-NA

## Vertical Fully Shrouded



**B** 2.00 to 2.50mm (.079 to .098") Pitch

## CATALOG DRAWING (FOR REFERENCE ONLY)



## ORDERING INFORMATION AND DIMENSIONS

Circuits	Order No.	Dimension	
		A	B
2	22-03-5025	7.40 (.291)	2.50 (.098)
3	22-03-5035	9.90 (.390)	5.00 (.197)
4	22-03-5045	12.40 (.488)	7.50 (.295)
5	22-03-5055	14.90 (.587)	10.00 (.394)
6	22-03-5065	17.40 (.685)	12.50 (.492)
7	22-03-5075	19.90 (.783)	15.00 (.591)
8	22-03-5085	22.40 (.882)	17.50 (.689)
9	22-03-5095	24.90 (.980)	20.00 (.787)
10	22-03-5105	27.40 (1.079)	22.50 (.886)
11	22-03-5115	29.90 (1.117)	25.00 (.984)
12	22-03-5125	32.40 (1.276)	27.50 (1.083)
13	22-03-5135	34.90 (1.374)	30.00 (1.181)
14	22-03-5145	37.40 (1.472)	32.50 (1.280)
15	22-03-5155	39.90 (1.571)	35.00 (1.378)